

THE INFORMATION CONTAINED HEREIN IS CONSIDERED "PROPRIETARY" TO BEL FUSE INC. AND SHALL NOT BE COPIED, REPRODUCED OR DISCLOSED WITHOUT THE WRITTEN APPROVAL OF BEL FUSE INC.

LED 2 & 4 POLARITY			LED 1 & 3 POLARITY		
PIN 11	PIN 12	COLOR	PIN 13	PIN 14	COLOR
+	-	YELLOW	+	-	GREEN

RoHS



ELECTRICAL CHARACTERISTICS @ 25°C

URNS RATIO

TP1	1CT : 1CT ±2%
TP2	1CT : 1CT ±2%
TP3	1CT : 1CT ±2%
TP4	1CT : 1CT ±2%

OCL @ 100kHz/100mVRMS

8mA DC BIAS 350µH MIN.

INS. LOSS

0.1MHz TO 1MHz	-1.1 dB MAX
1MHz TO 65MHz	-0.5 dB MAX
65MHz TO 100MHz	-0.8 dB MAX
100MHz TO 125MHz	-1.2 dB MAX

RET. LOSS (MIN)

0.5MHz-40MHz	-18 dB
40MHz-100MHz	-12+20LOG(f/80MHz) dB

CM TO CM REJ

100kHz - 100MHz -30 dB MIN

CM TO DM REJ

100kHz - 100MHz -35 dB MIN

HIPOT (Isolation Voltage):

1500 Vrms

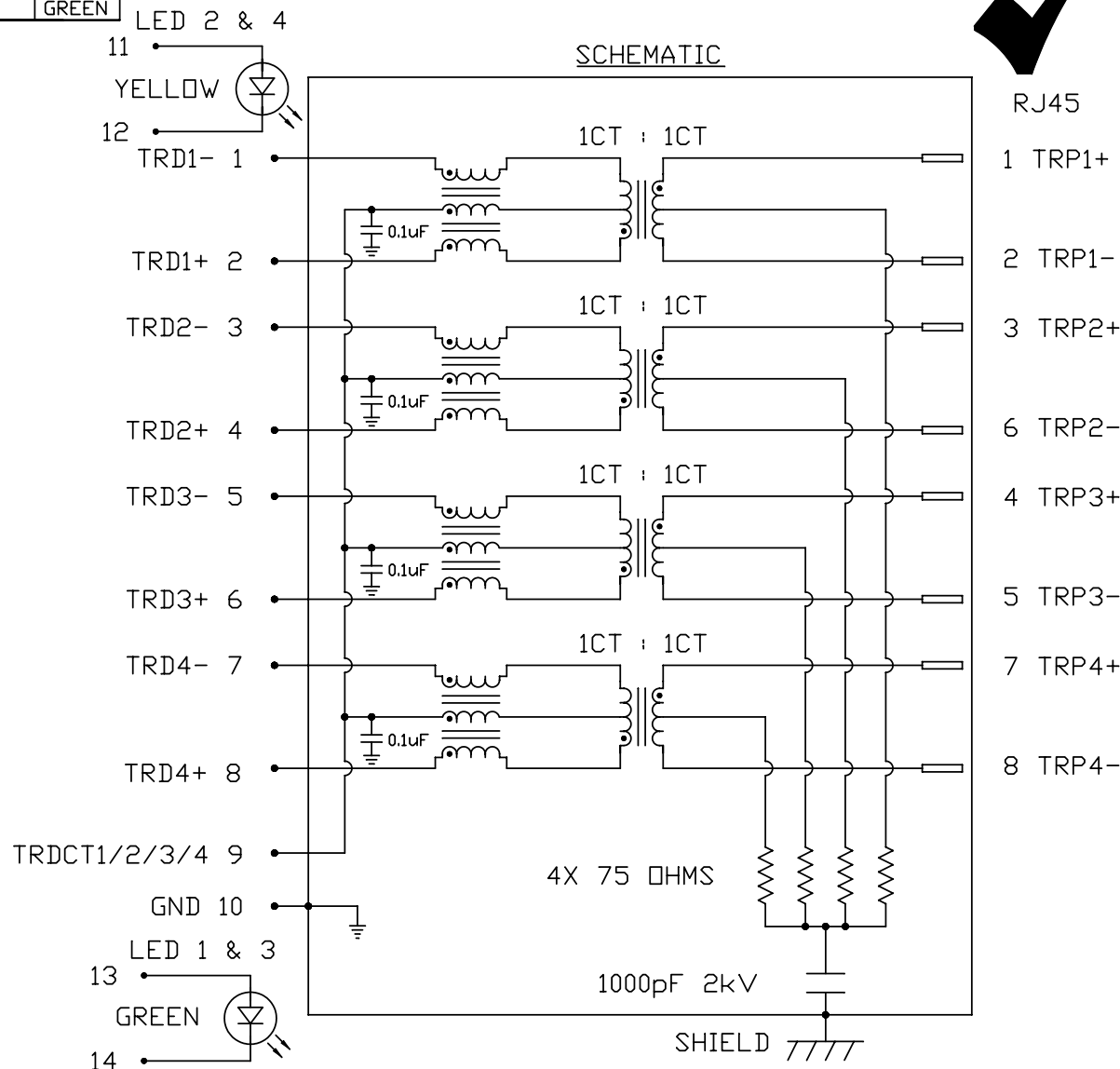
100% OF PRODUCTION TESTED TO COMPLY WITH IEEE 802.3 ISOLATION REQUIREMENTS.

LED 1 & 3

VF (FORWARD VOLTAGE)	IF=20mA	GREEN	2.2V TYP.
λD (DOMINANT WAVELENGTH)	IF=20mA	GREEN	565nm TYP.

LED 2 & 4

VF (FORWARD VOLTAGE)	IF=20mA	YELLOW	2.1V TYP.
λD (DOMINANT WAVELENGTH)	IF=20mA	YELLOW	590nm TYP.

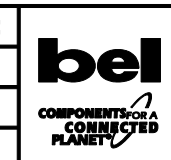


ORIGINATED BY	DATE	TITLE
CHOW WANCHUNG	2012-08-29	2X4 gigabit MagJack®
DRAWN BY	DATE	(8 Cores) PATENTED
TAN QIGUANG	2012-08-29	

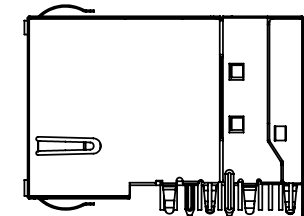
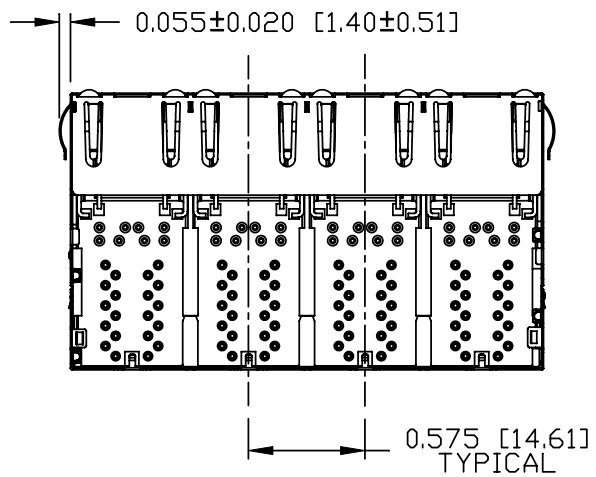
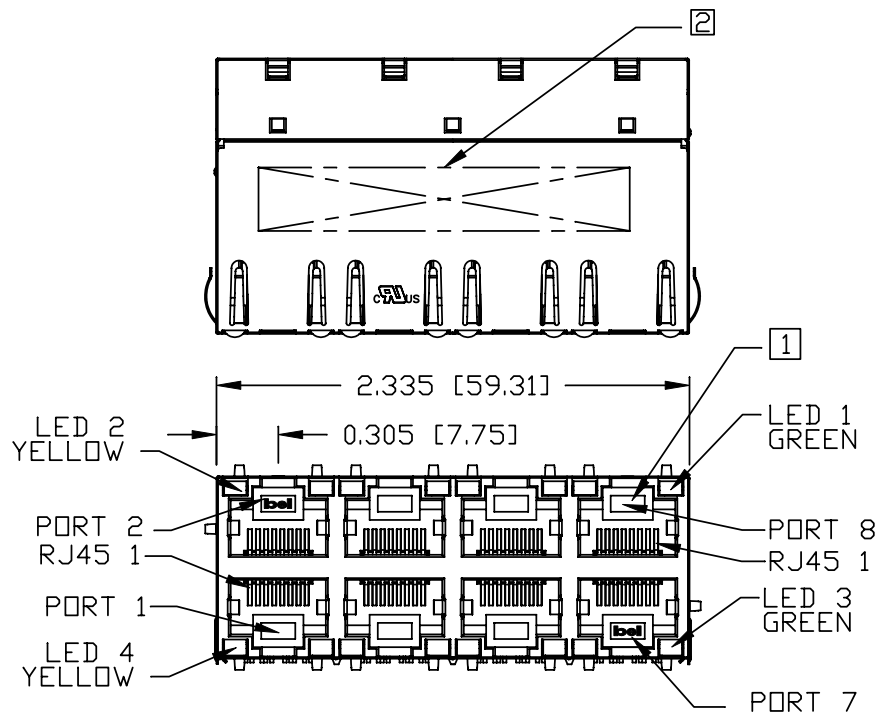
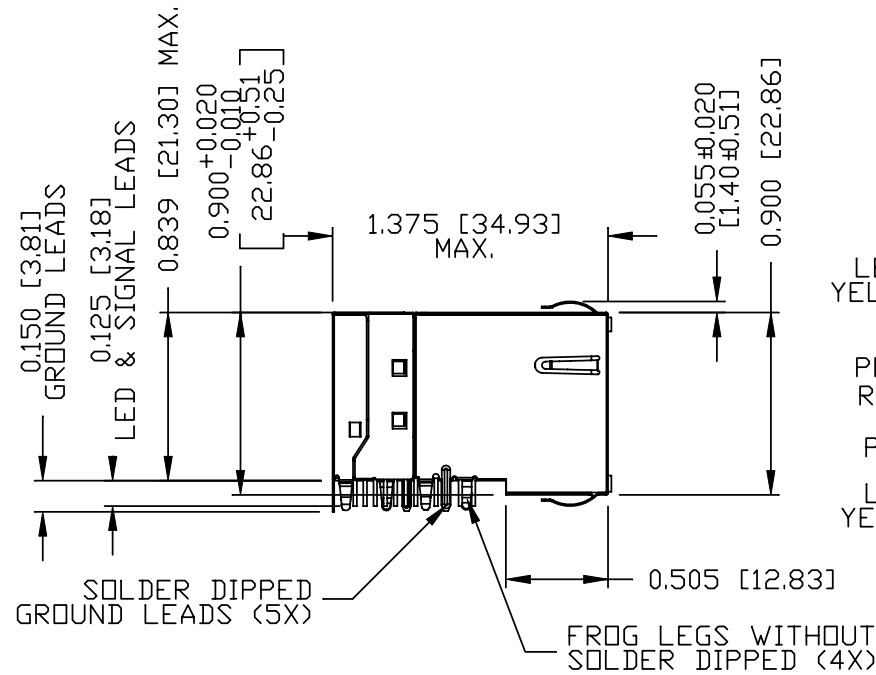
PART NO. / DRAWING NO.	STANDARD DIM. TOL. IN INCH	[ ] METRIC DIM. AS REFERENCE
C855-2D4R-54	.X .XX .XXX	UNIT : INCH [mm] SCALE : N/A REV. : B SIZE : A4 PAGE : 2
FILE NAME	C855-2D4R-54_B.DWG	

FILE NAME
C855-2D4R-54_B.DWG

STANDARD DIM. TOL. IN INCH	[ ] METRIC DIM. AS REFERENCE
.X .XX .XXX	UNIT : INCH [mm] SCALE : N/A REV. : B SIZE : A4 PAGE : 2



THE INFORMATION CONTAINED HEREIN IS CONSIDERED "PROPRIETARY" TO BEL FUSE INC. AND SHALL NOT BE COPIED, REPRODUCED OR DISCLOSED WITHOUT THE WRITTEN APPROVAL OF BEL FUSE INC.

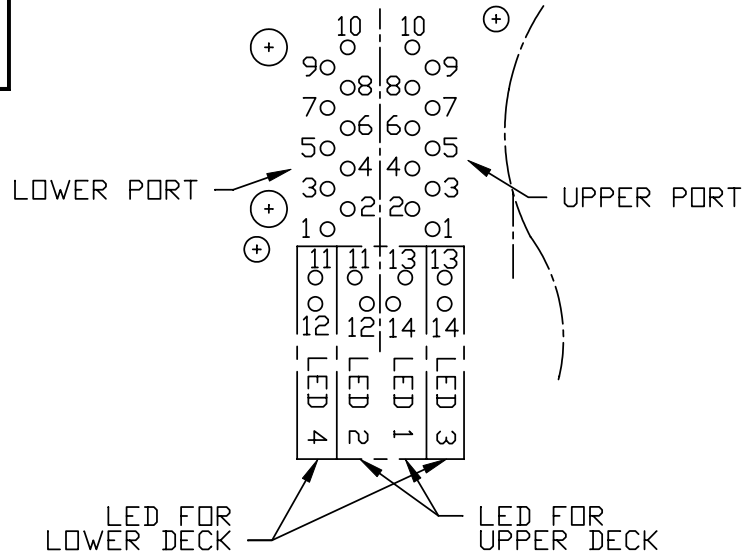


ORIGINATED BY ANTON LIAO	DATE 2012-08-29	TITLE 2X4 gigabit MagJack® (8 Cores) PATENTED	PART NO. / DRAWING NO. C855-2D4R-54	STANDARD DIM. TOL. IN INCH		[ ] METRIC DIM. AS REFERENCE		 COMPONENTS FOR A CONNECTED PLANET
	DRAWN BY HE ZHEN			DATE 2012-08-29	FILE NAME C855-2D4R-54_B.DWG	.X .XX .XXX	±0.010	

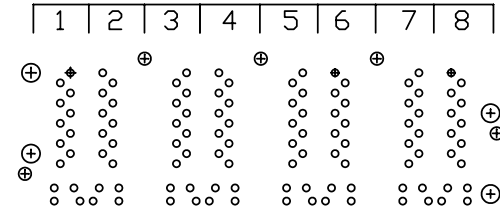
THE INFORMATION CONTAINED HEREIN IS CONSIDERED "PROPRIETARY" TO BEL FUSE INC. AND SHALL NOT BE COPIED, REPRODUCED OR DISCLOSED WITHOUT THE WRITTEN APPROVAL OF BEL FUSE INC.



10	GND
9	TRDCT1/2/3/4
8	TRD 4+
7	TRD 4-
6	TRD 3+
5	TRD 3-
4	TRD 2+
3	TRD 2-
2	TRD 1+
1	TRD 1-



PORT ASSIGNMENT  
(COMPONENT SIDE VIEW)

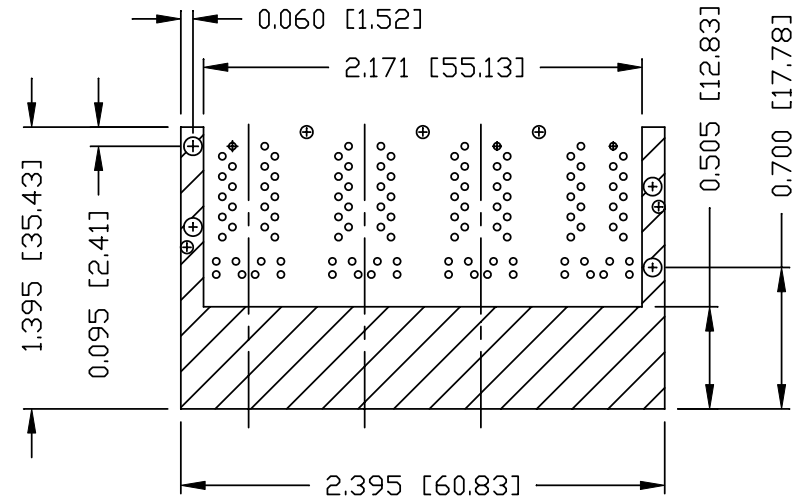


PIN-OUT INFORMATION  
(COMPONENT SIDE VIEW)

NOTES:

PLASTIC HOUSING: THERMOPLASTIC PBT  
 FLAMMABILITY RACHRIS UL 94V-0  
 CONTACT PLACHRIS: 30 MICRO-INCH HARD GOLD PLATING OR EQUIVALENT.  
 OUTPUT PINS: TIN-COATED COPPER WIRE, DIA 0.018 INCH.  
 METAL SHIELD: NICKEL PLATED ON COPPER ALLOY.  
 (ALL GROUND LEADS ARE SOLDER DIPPED)  
 FROG LEGS ARE FOR PCB RETENTION FORCE ONLY  
 AND NOT FOR GROUNDING PURPOSE

- JACK CAVITY CONFORMS TO FCC RULES AND REGULATIONS, PART 68 SUBPART F.
- MARK PART WITH MFG LOGO, MFG NAME, PART NUMBER, DATE CODE AND PATENTED.
- RoHS COMPLIANT - FILE #E196366 AND E169987.
- THE PRODUCT IS RoHS COMPLIANT.
- THE PRODUCT IS PATENTED, THE PATENT NUMBER ARE U.S. PAT. 5,736,910 AND U.S. PAT. 6,840,817 AND U.S. PAT. 7,123,117.



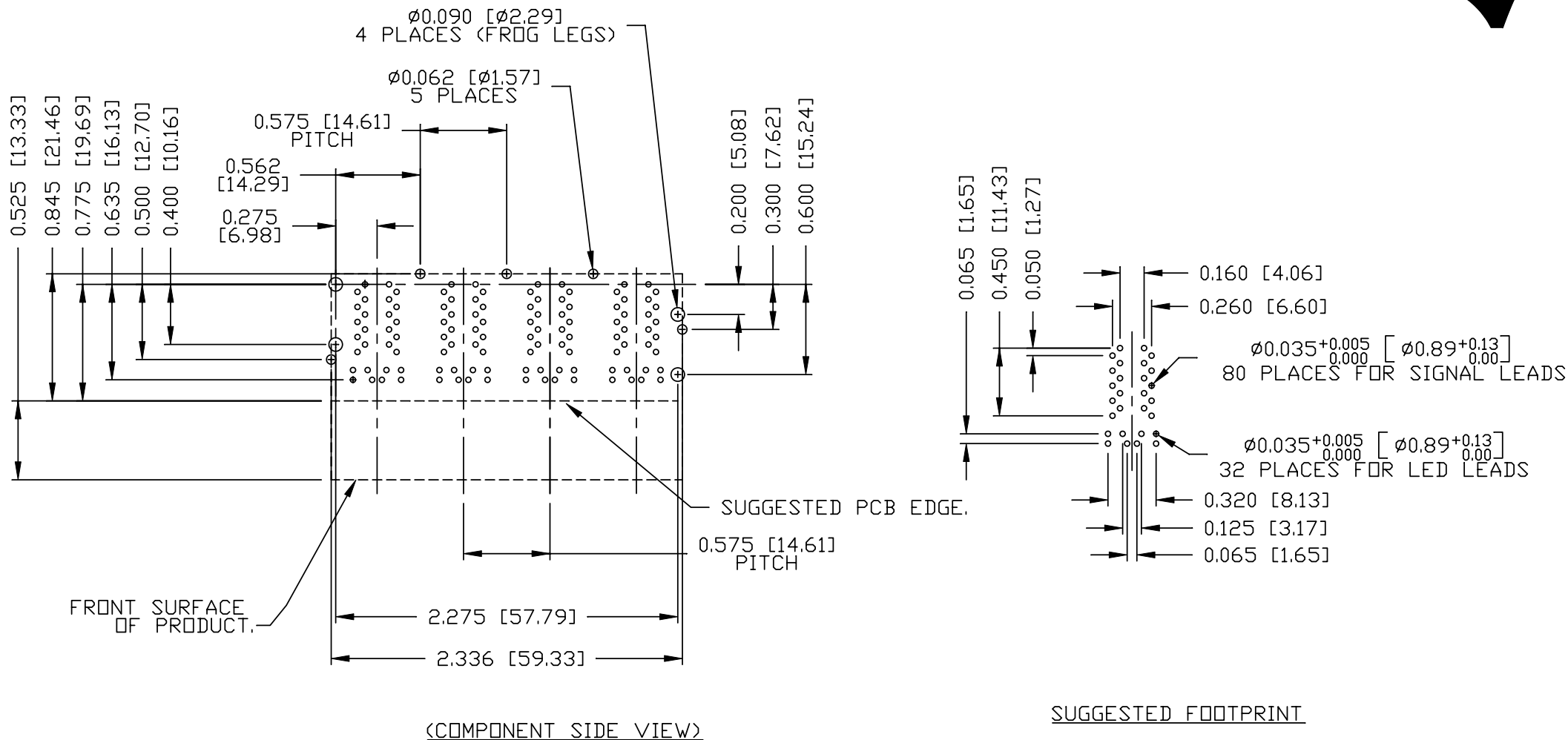
THE SHADED AREA ON THE CUSTOMER BOARD ARE RECOMMENDED TO BE CLEAR OFF ANY VIA HOLE OR COMPONENT PAD.

ORIGINATED BY	DATE	TITLE	PART NO. / DRAWING NO.	STANDARD DIM. TOL. IN INCH	[ ] METRIC DIM. AS REFERENCE
ANTON LIAO	2012-08-29	2X4 gigabit MagJack® (8 Cores) PATENTED	C855-2D4R-54	.X	UNIT : INCH [mm]
DRAWN BY	DATE			.XX	SCALE : N/A
HE ZHEN	2012-08-29		FILE NAME	.XXX	SIZE : A4
			C855-2D4R-54_B.DWG	±0.004	PAGE : 4



THE INFORMATION CONTAINED HEREIN IS CONSIDERED "PROPRIETARY" TO BEL FUSE INC. AND SHALL NOT BE COPIED, REPRODUCED OR DISCLOSED WITHOUT THE WRITTEN APPROVAL OF BEL FUSE INC.

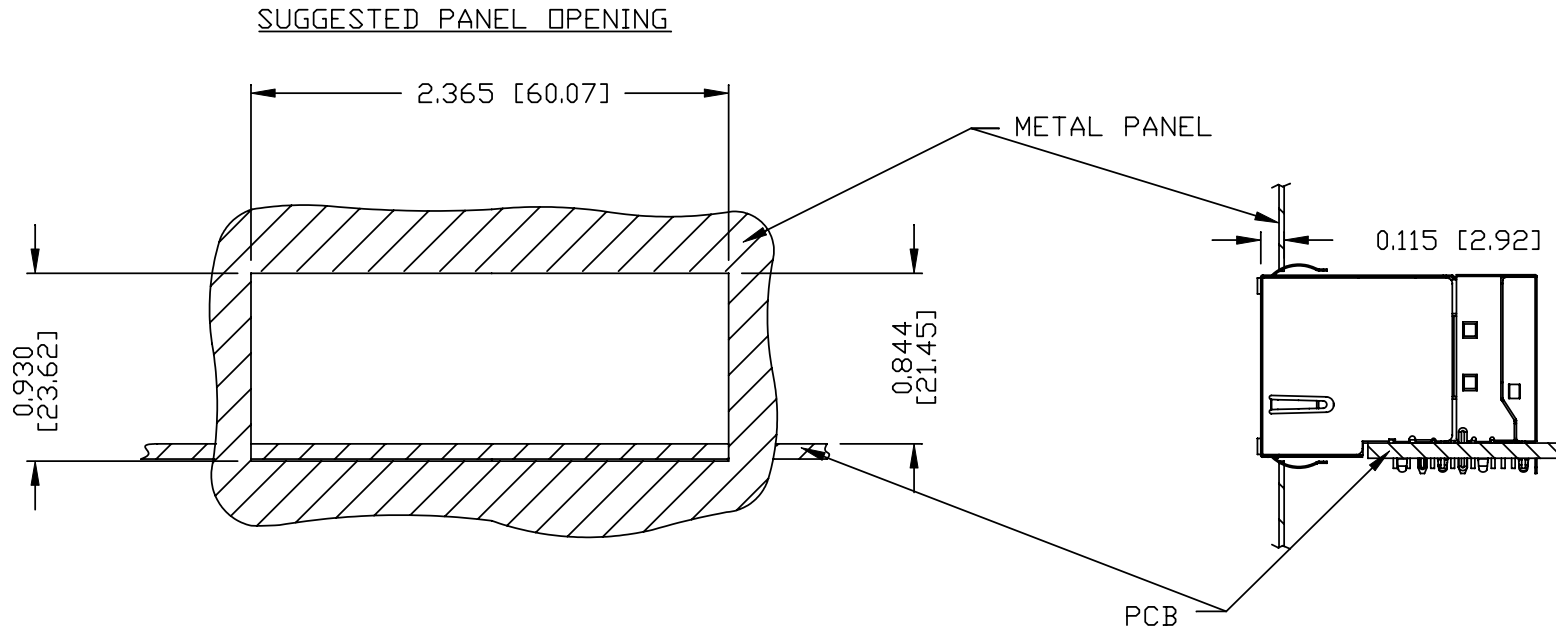
RoHS



ORIGINATED BY ANTON LIAO	DATE 2012-08-29	TITLE 2X4 gigabit MagJack® (8 Cores) PATENTED	PART NO. / DRAWING NO. C855-2D4R-54	STANDARD DIM. TOL. IN INCH		[ ] METRIC DIM. AS REFERENCE		 COMPONENTS FOR A CONNECTED PLANET		
	DRAWN BY HE ZHEN			DATE 2012-08-29	FILE NAME C855-2D4R-54_B.DWG	.X .XX .XXX	<table border="1"> <tr> <td>UNIT : INCH [mm]</td> <td>REV. : B</td> </tr> <tr> <td>SCALE : N/A</td> <td>SIZE : A4</td> </tr> <tr> <td colspan="2">PAGE : 5</td> </tr> </table>		UNIT : INCH [mm]	REV. : B
UNIT : INCH [mm]	REV. : B									
SCALE : N/A	SIZE : A4									
PAGE : 5										

THE INFORMATION CONTAINED HEREIN IS CONSIDERED "PROPRIETARY" TO BEL FUSE INC. AND SHALL NOT BE COPIED, REPRODUCED OR DISCLOSED WITHOUT THE WRITTEN APPROVAL OF BEL FUSE INC.

RoHS



NOTE:

THE DISTANCE OF PANEL INSIDE SURFACE RELATIVE TO FRONT SURFACE OF PART IS ONLY A SUGGESTION. IN CASE THIS DISTANCE IS DIFFERENT, THE REQUIRED PANEL OPENING DIMENSIONS CHANGE ACCORDINGLY.

PACKING INFORMATION

PACKING TRAY : 0200-9999-L1 (TOP)

0200-9999-L2 (BOTTOM)

PACKING QUANTITY : 20 PCS FINISHED GOODS PER TRAY.

6 TRAYS (120 PCS FINISHED GOODS) PER CARTON BOX.

NOTE : CARDBOARDS ARE PLACED BETWEEN LAYERS OF PACKING TRAY INSIDE CARTON BOX.

(INCLUDE THE UPPERMOST AND LOWERMOST TRAY)

ORIGINATED BY ANTON LIAO	DATE 2012-08-29	TITLE 2X4 gigabit MagJack® (8 Cores) PATENTED	PART NO. / DRAWING NO. C855-2D4R-54	STANDARD DIM. TOL. IN INCH		[ ] METRIC DIM. AS REFERENCE	
					UNIT : INCH [mm]	REV. : B	
DRAWN BY HE ZHEN	DATE 2012-08-29		FILE NAME C855-2D4R-54_B.DWG	.X		SCALE : N/A	SIZE : A4
				.XX			
				.XXX	±0.004		
						PAGE : 6	 COMPONENTS FOR A CONNECTED PLANET