

THE INFORMATION CONTAINED HEREIN IS CONSIDERED "PROPRIETARY" TO BEL FUSE INC. AND SHALL NOT BE COPIED, REPRODUCED OR DISCLOSED WITHOUT THE WRITTEN APPROVAL OF BEL FUSE INC.

| LED 2 & 4 POLARITY | | | LED 1 & 3 POLARITY | | |
|--------------------|--------|--------|--------------------|--------|--------|
| PIN 11 | PIN 12 | COLOR | PIN 13 | PIN 14 | COLOR |
| + | - | YELLOW | + | - | YELLOW |
| - | + | GREEN | - | + | GREEN |

PRELIMINARY



ELECTRICAL CHARACTERISTICS @ 25°C

URNS RATIO

| | |
|-----|---------------|
| TP1 | 1CT : 1CT ±2% |
| TP2 | 1CT : 1CT ±2% |

□CL @ 100kHz/100mVRMS

8mA DC BIAS (0°C - 70°C) 350µH MIN.

INS. LOSS

| | |
|-----------------|-------------|
| 0.1MHz TO 1MHz | -1.1 dB MAX |
| 1MHz TO 65MHz | -0.5 dB MAX |
| 65MHz TO 100MHz | -1.0 dB MAX |

RET. LOSS (MIN) @ 100OHMS ±15%

| | |
|--------------|-----------------------|
| 0.5MHz-40MHz | -18 dB |
| 40MHz-80MHz | -12+20LOG(f/80MHz) dB |

CM TO CM REJ

100kHz - 100MHz -30 dB MIN

CM TO DM REJ

100kHz - 100MHz -35 dB MIN

HIPOT (Isolation Voltage):

1500 Vrms

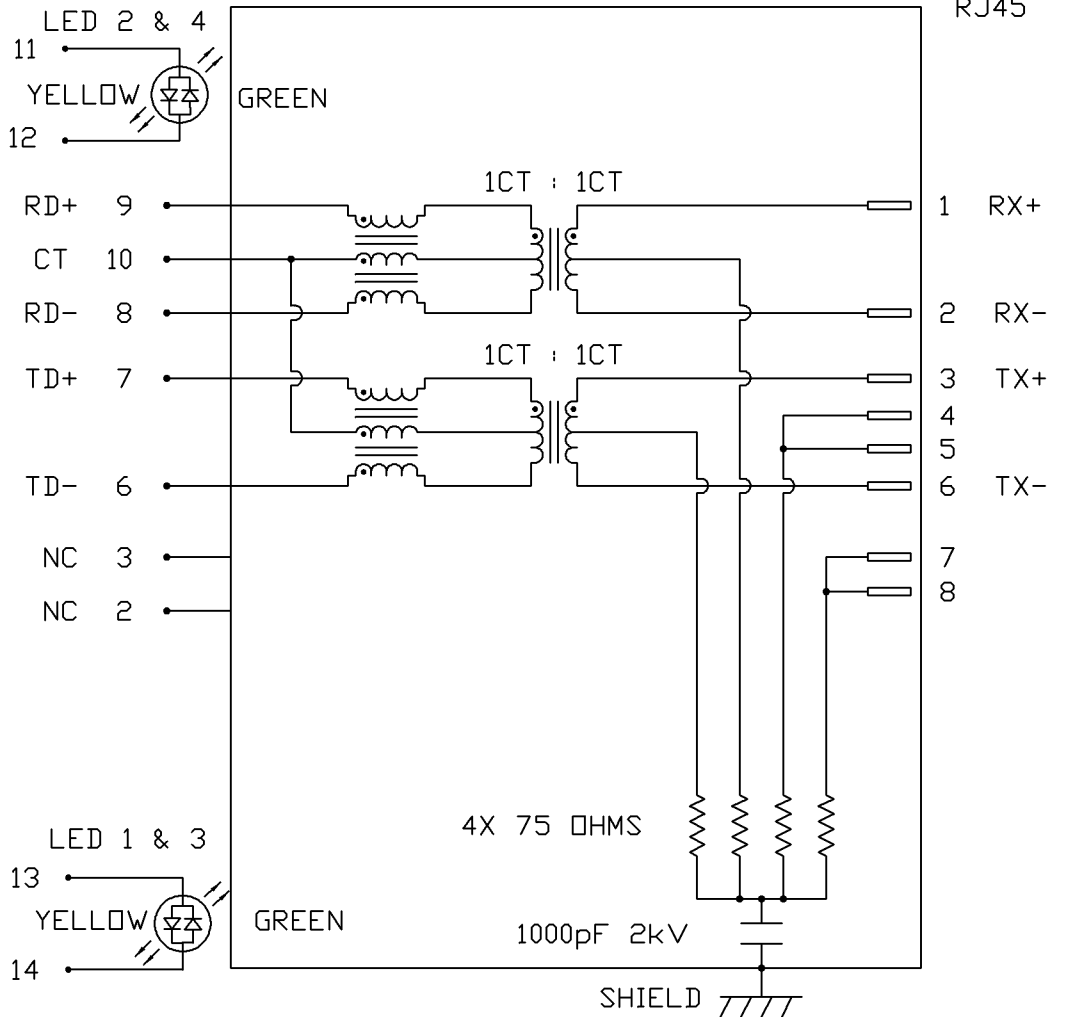
100% OF PRODUCTION TESTED TO COMPLY WITH IEEE 802.3 ISOLATION REQUIREMENTS.

LED 1,LED 2,LED 3 & LED 4

| | | | |
|--------------------------|---------|--------|------------|
| VF (FORWARD VOLTAGE) | IF=20mA | GREEN | 2.2V TYP. |
| | | YELLOW | 2.1V TYP. |
| λD (DOMINANT WAVELENGTH) | IF=20mA | GREEN | 565nm TYP. |
| | | YELLOW | 590nm TYP. |

SCHEMATIC

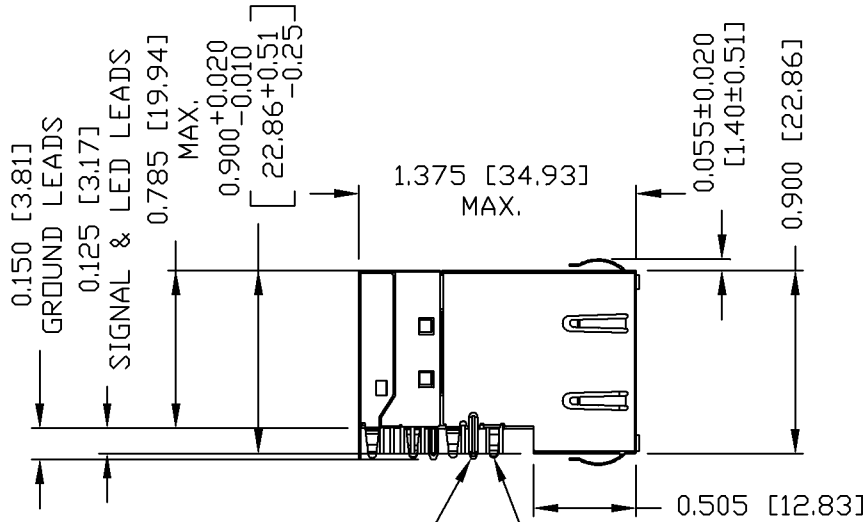
RJ45



| | | | | | | | |
|---------------|----------|-------------------------------------|------------------------|----------------------------|------------------------------|--------------------------------------|-----------|
| ORIGINATED BY | DATE | TITLE | PART NO. / DRAWING NO. | STANDARD DIM. TOL. IN INCH | [] METRIC DIM. AS REFERENCE | COMPONENTS OR A CONNECTED PLANET | |
| CHOW WANCHUNG | 01-13-09 | 2X6 MagJack® (COMPRESSOR SERIES) | C850-2C6R-M9 | .X | UNIT : INCH [mm] | | REV. : PC |
| DRAWN BY | DATE | | FILE NAME | .XX | SCALE : N/A | | SIZE : A4 |
| LEE WEIDE | 01-13-09 | | C850-2C6R-M9_PC.DWG | .XXX | | PAGE : 2 | |

THE INFORMATION CONTAINED HEREIN IS CONSIDERED 'PROPRIETARY' TO BEL FUSE INC. AND SHALL NOT BE COPIED, REPRODUCED OR DISCLOSED WITHOUT THE WRITTEN APPROVAL OF BEL FUSE INC.

PRELIMINARY



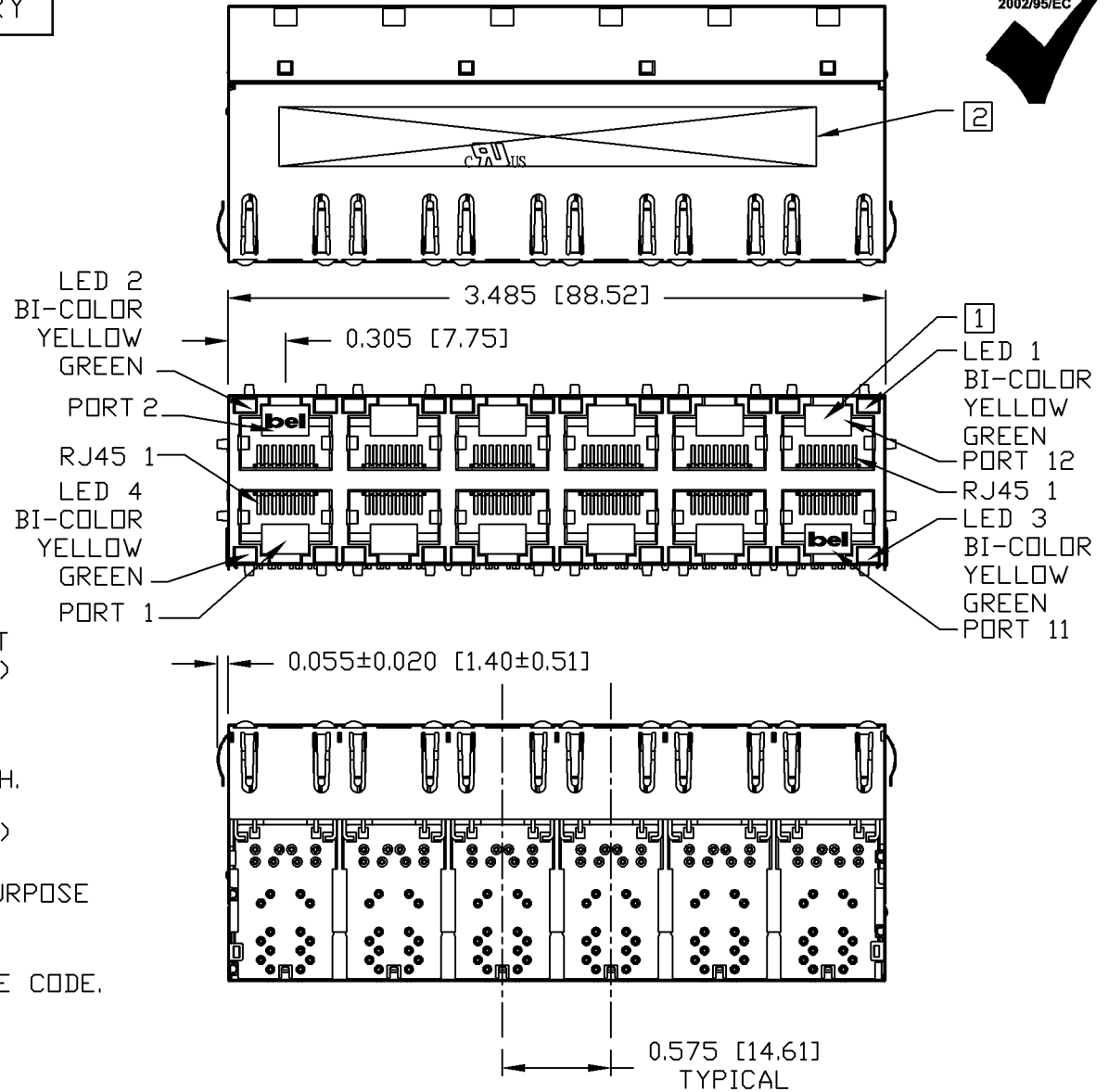
SOLDER DIPPED GROUND LEADS (7X)

FROG LEGS WITHOUT SOLDER DIPPED (4X)

- NOTES:
- PLASTIC HOUSING: THERMOPLASTIC PBT FLAMMABILITY RATING UL 94V-0
 - CONTACT PLATING: 30 MICRO-INCH HARD GOLD PLATING
 - OUTPUT PINS: TIN-COATED COPPER WIRE, DIA 0.018 INCH.
 - METAL SHIELD: NICKEL PLATED ON COPPER ALLOY. (ALL GROUND LEADS ARE SOLDER DIPPED)
 - FROG LEGS ARE FOR PCB RETENTION FORCE ONLY AND NOT FOR GROUNDING PURPOSE

- 1 JACK CAVITY CONFORMS TO FCC RULES AND REGULATIONS, PART 68 SUBPART F.
- 2 MARK PART WITH MFG LOGO, NAME, PART NUMBER AND DATE CODE.

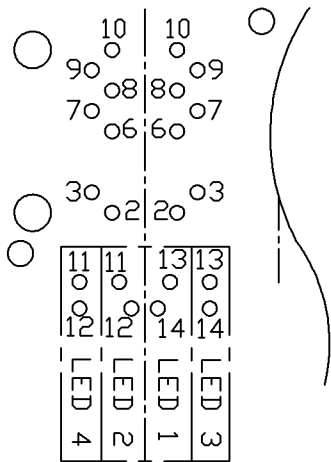
UL US UL RECOGNIZED - FILE #E196366 AND E169987.
 RoHS COMPLIANCE, PER EU DIRECTIVE 2002/95/EC.
 3. REVERSED POLARITY OF GENERAL 'C' LED.



| | | | | | | | |
|---------------|----------|-------------------------------------|------------------------|----------------------------|------------------------------|--------------------------------------|-----------|
| ORIGINATED BY | DATE | TITLE | PART NO. / DRAWING NO. | STANDARD DIM. TOL. IN INCH | [] METRIC DIM. AS REFERENCE | COMPONENTS OR A CONNECTED PLANET | |
| HOWFAR WEI | 01-13-09 | 2X6 MagJack® (COMPRESSOR SERIES) | C850-2C6R-M9 | .X | UNIT : INCH [mm] | | REV. : PC |
| DRAWN BY | DATE | | FILE NAME | .XX | SCALE : N/A | | SIZE : A4 |
| JOLLY LUD | 01-13-09 | | C850-2C6R-M9_PC.DWG | .XXX ±0.010 | ⊕ | PAGE : 3 | |

THE INFORMATION CONTAINED HEREIN IS CONSIDERED "PROPRIETARY" TO BEL FUSE INC. AND SHALL NOT BE COPIED, REPRODUCED OR DISCLOSED WITHOUT THE WRITTEN APPROVAL OF BEL FUSE INC.

PRELIMINARY

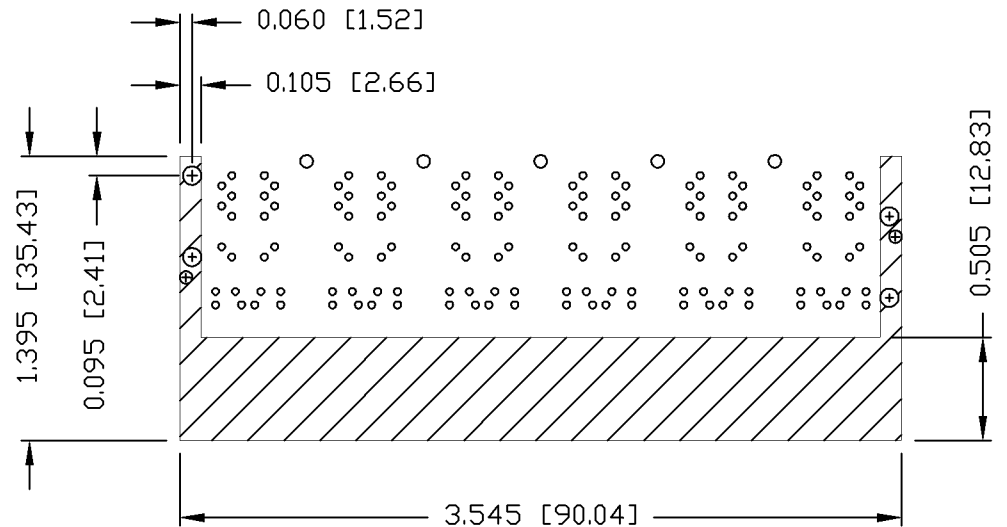
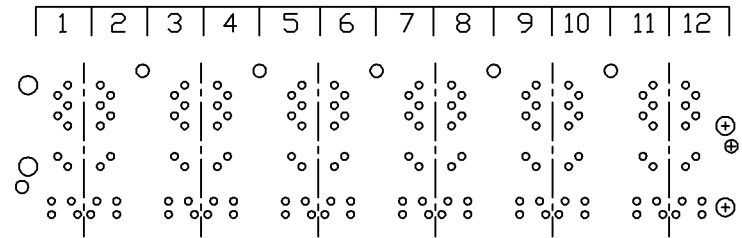


LED FOR LOWER DECK LED FOR UPPER DECK

PIN-OUT INFORMATION
(COMPONENT SIDE VIEW)

| | |
|----|--------|
| 10 | CT |
| 9 | RD+ |
| 8 | RD- |
| 7 | TD+ |
| 6 | TD- |
| 5 | NO PIN |
| 4 | NO PIN |
| 3 | NC |
| 2 | NC |
| 1 | NO PIN |

PORT ASSIGNMENT
(COMPONENT SIDE VIEW)

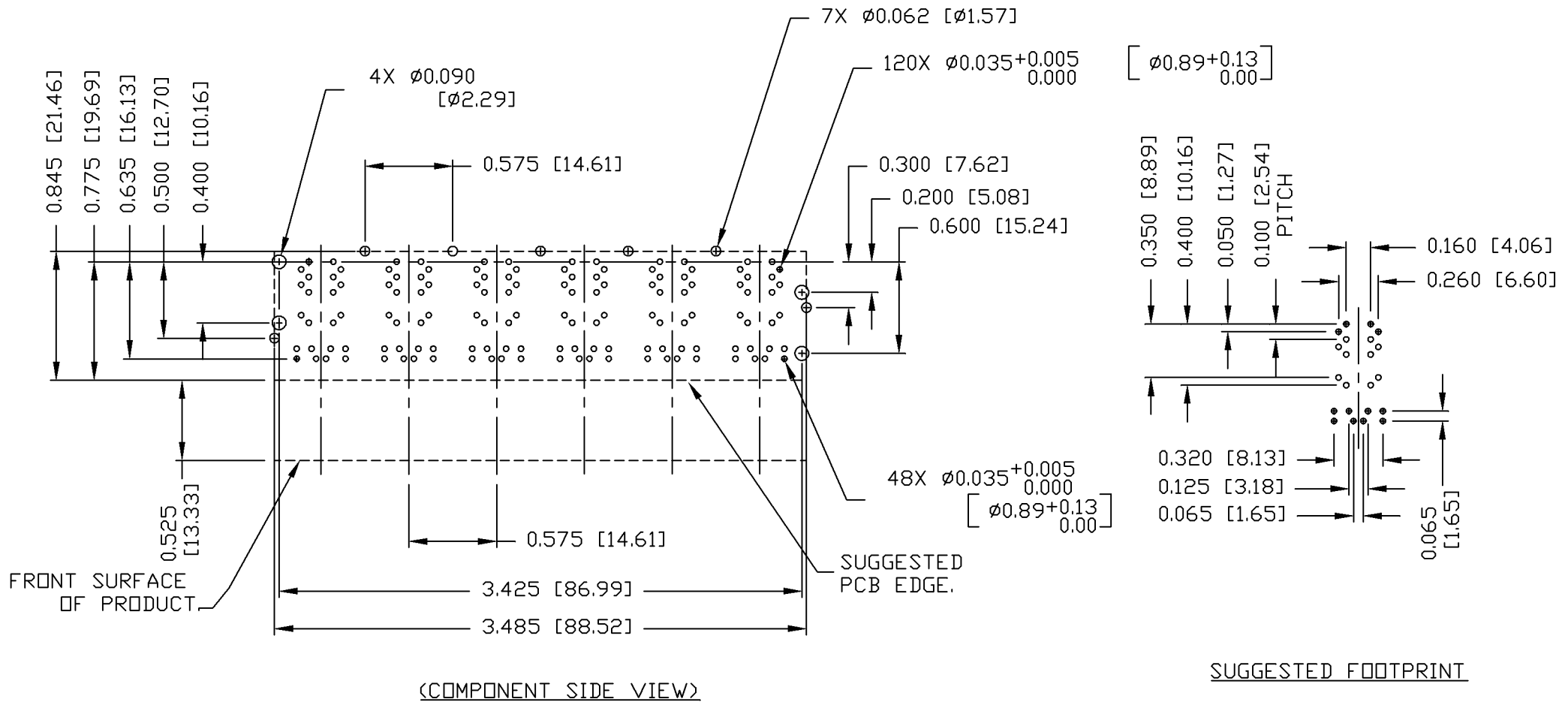


THE SHADED AREA ON THE CUSTOMER BOARD ARE RECOMMENDED TO BE CLEAR OFF ANY VIA HOLE OR COMPONENT PAD.

| | | | | | | | | | |
|-----------------------------|------------------|--|--|--|----------------------------|--------|---------------------------------|------------------------------------|---------------------------------------|
| ORIGINATED BY HOWFAR WEI | DATE 01-13-09 | TITLE 2X6 MagJack® (COMPRESSOR SERIES) | PART NO. / DRAWING NO. C850-2C6R-M9 | | STANDARD DIM. TOL. IN INCH | | [] METRIC DIM. AS REFERENCE | | COMPONENTS FOR A CONNECTED PLANET |
| | | | FILE NAME C850-2C6R-M9_PC.DWG | | .X .XX .XXX | ±0.004 | UNIT : INCH [mm] SCALE : N/A | REV. : PC SIZE : A4 PAGE : 4 | |
| DRAWN BY JOLLY LUO | DATE 01-13-09 | | | | | | | | |

THE INFORMATION CONTAINED HEREIN IS CONSIDERED "PROPRIETARY" TO BEL FUSE INC. AND SHALL NOT BE COPIED, REPRODUCED OR DISCLOSED WITHOUT THE WRITTEN APPROVAL OF BEL FUSE INC.

PRELIMINARY



| | |
|---------------|----------|
| ORIGINATED BY | DATE |
| HOWFAR WEI | 01-13-09 |
| DRAWN BY | DATE |
| JOLLY LUO | 01-13-09 |

| |
|-------------------------------------|
| TITLE |
| 2X6 MagJack® (COMPRESSOR SERIES) |

| |
|------------------------|
| PART NO. / DRAWING NO. |
| C850-2C6R-M9 |
| FILE NAME |
| C850-2C6R-M9_PC.DWG |

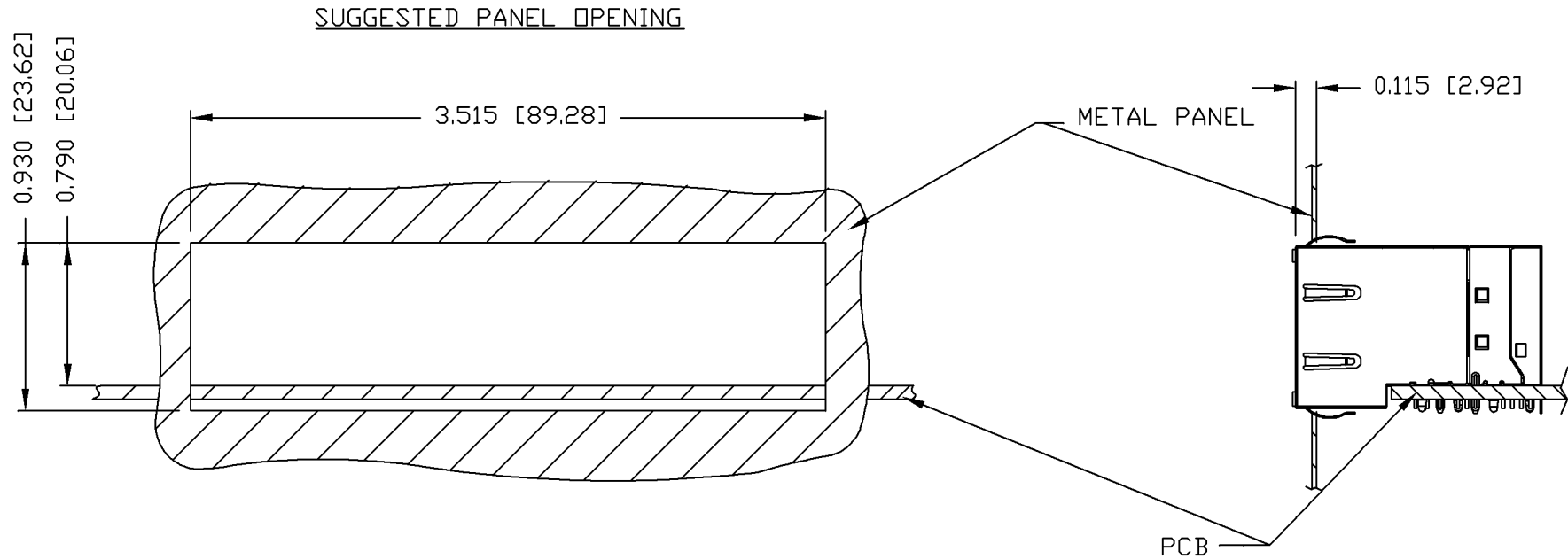
| |
|----------------------------|
| STANDARD DIM. TOL. IN INCH |
| .X |
| .XX |
| .XXX ±0.004 |

| |
|------------------------------|
| [] METRIC DIM. AS REFERENCE |
| UNIT : INCH [mm] |
| SCALE : N/A |
| REV. : PC |
| SIZE : A4 |
| PAGE : 5 |



THE INFORMATION CONTAINED HEREIN IS CONSIDERED "PROPRIETARY" TO BEL FUSE INC. AND SHALL NOT BE COPIED, REPRODUCED OR DISCLOSED WITHOUT THE WRITTEN APPROVAL OF BEL FUSE INC.

PRELIMINARY



NOTE:

THE DISTANCE OF PANEL INSIDE SURFACE RELATIVE TO FRONT SURFACE OF PART IS ONLY A SUGGESTION. IN CASE THIS DISTANCE IS DIFFERENT, THE REQUIRED PANEL OPENING DIMENSIONS CHANGE ACCORDINGLY.

PACKING INFORMATION

PACKING TRAY : 0200-9999-H1 (TOP)

0200-9999-H2 (BOTTOM)

PACKING QUANTITY : 18 PCS FINISHED GOODS PER TRAY.

6 TRAYS (108 PCS FINISHED GOODS) PER CARTON BOX.

NOTE : CARDBOARDS ARE PLACED BETWEEN LAYERS OF PACKING TRAY INSIDE CARTON BOX.

(INCLUDE THE UPPERMOST AND LOWERMOST TRAY)

| | | | | | | | | | |
|-----------------------------|------------------|--|--|--|-------------------------------|--------|---------------------------------|------------------------------------|--|
| ORIGINATED BY HOWFAR WEI | DATE 01-13-09 | TITLE 2X6 MagJack® (COMPRESSOR SERIES) | PART NO. / DRAWING NO. C850-2C6R-M9 | | STANDARD DIM. TOL. IN INCH | | [] METRIC DIM. AS REFERENCE | | bel COMPONENTS FOR A CONNECTED PLANET |
| | | | FILE NAME C850-2C6R-M9_PC.DWG | | .X .XX .XXX | ±0.004 | UNIT : INCH [mm] SCALE : N/A | REV. : PC SIZE : A4 PAGE : 6 | |
| DRAWN BY JOLLY LUO | DATE 01-13-09 | | | | | | | | |