

THE INFORMATION CONTAINED HEREIN IS CONSIDERED "PROPRIETARY" TO BEL FUSE INC. AND SHALL NOT BE COPIED, REPRODUCED OR DISCLOSED WITHOUT THE WRITTEN APPROVAL OF BEL FUSE INC.

PRELIMINARY

RoHS  
2002/95/EC



LED 2 & 4 POLARITY			LED 1 & 3 POLARITY		
PIN 11	PIN 12	COLOR	PIN 13	PIN 14	COLOR
+	-	YELLOW	+	-	YELLOW
-	+	GREEN	-	+	GREEN

ELECTRICAL CHARACTERISTICS @ 25°C

TURNS RATIO

TP1	1CT : 1CT ±2%
TP2	1CT : 1CT ±2%
TP3	1CT : 1CT ±2%
TP4	1CT : 1CT ±2%

OCL @ 100kHz/100mVRMS

8mA DC BIAS 350mH MIN.

INS. LOSS

0.1MHz TO 1MHz	-1.1 dB MAX
1MHz TO 65MHz	-0.5 dB MAX
65MHz TO 100MHz	-0.8 dB MAX
100MHz TO 125MHz	-1.2 dB MAX

RET. LOSS (MIN)

0.5MHz-40MHz	-18 dB
40MHz-100MHz	-12+20LOG(f/80MHz) dB

CM TO CM REJ

100kHz - 100MHz -30 dB MIN

CM TO DM REJ

100kHz - 100MHz -35 dB MIN

HIPOT (Isolation Voltage):

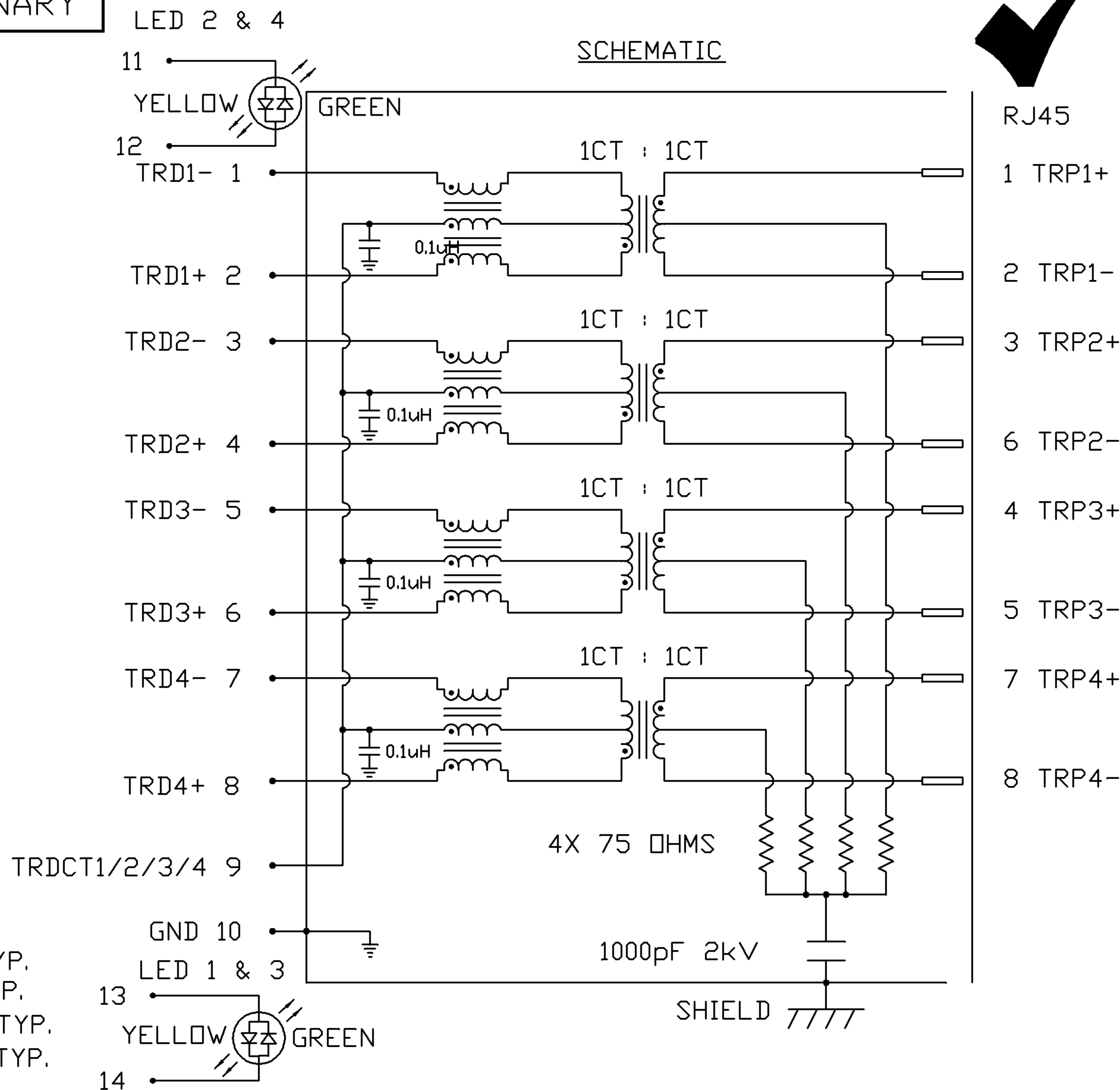
LED 1,LED 2,LED 3 & LED 4 1500 Vrms

VF (FORWARD VOLTAGE)

IF=20mA GREEN 2.2V TYP.  
YELLOW 2.1V TYP.

λ D (DOMINANT WAVELENGTH)

IF=20mA GREEN 565nm TYP.  
YELLOW 590nm TYP.



ORIGINATED BY CHOW WANCHUNG DATE 01-13-09

TITLE 2X4 gigabit MagJack® (8 Cores)

PART NO. / DRAWING NO. C850-2C4R-54

STANDARD DIM. TOL. IN INCH

[ ] METRIC DIM. AS REFERENCE UNIT : INCH [mm] REV. : PB

DRAWN BY LEE WEIDE DATE 01-13-09

FILE NAME C850-2C4R-54\_PB.DWG

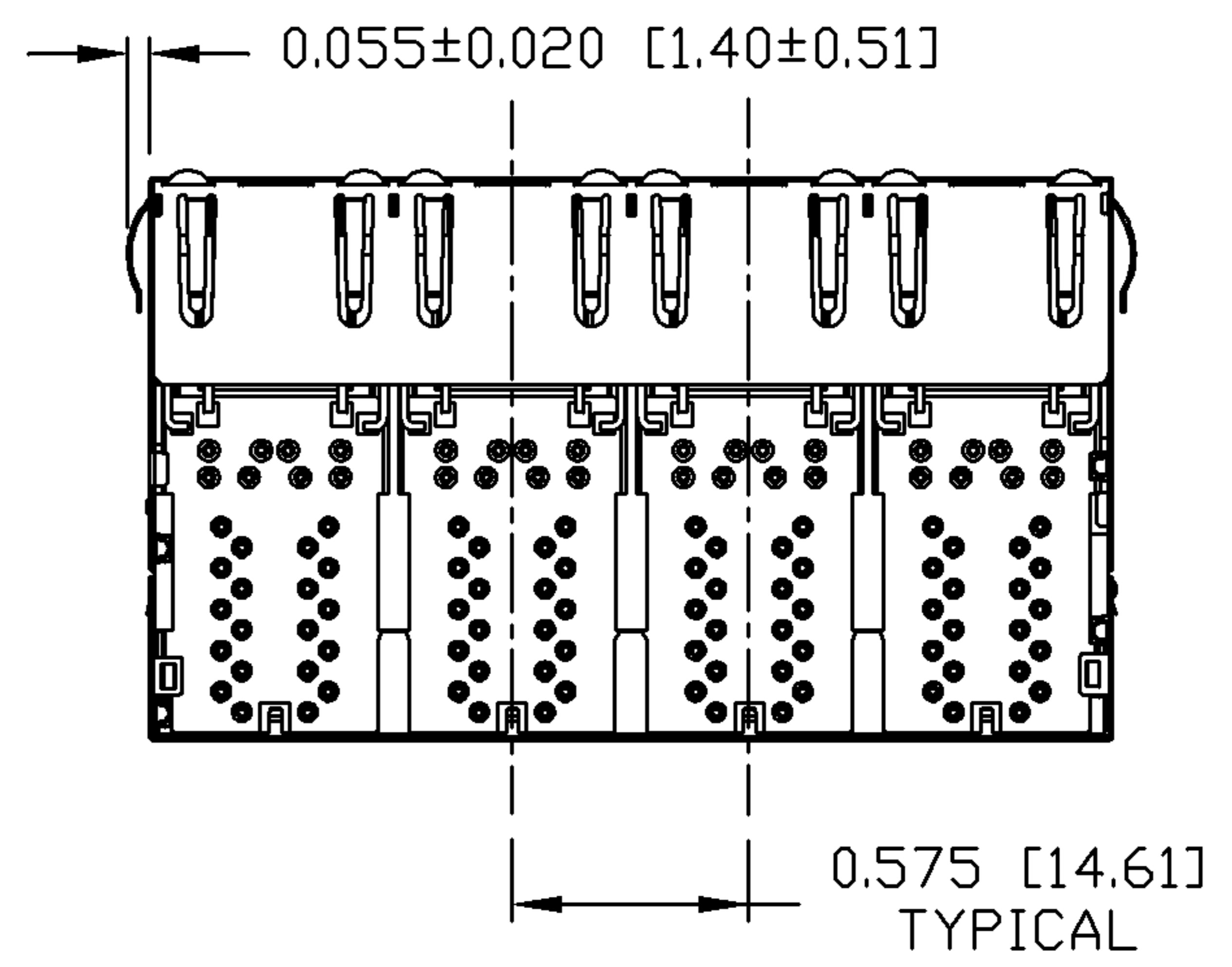
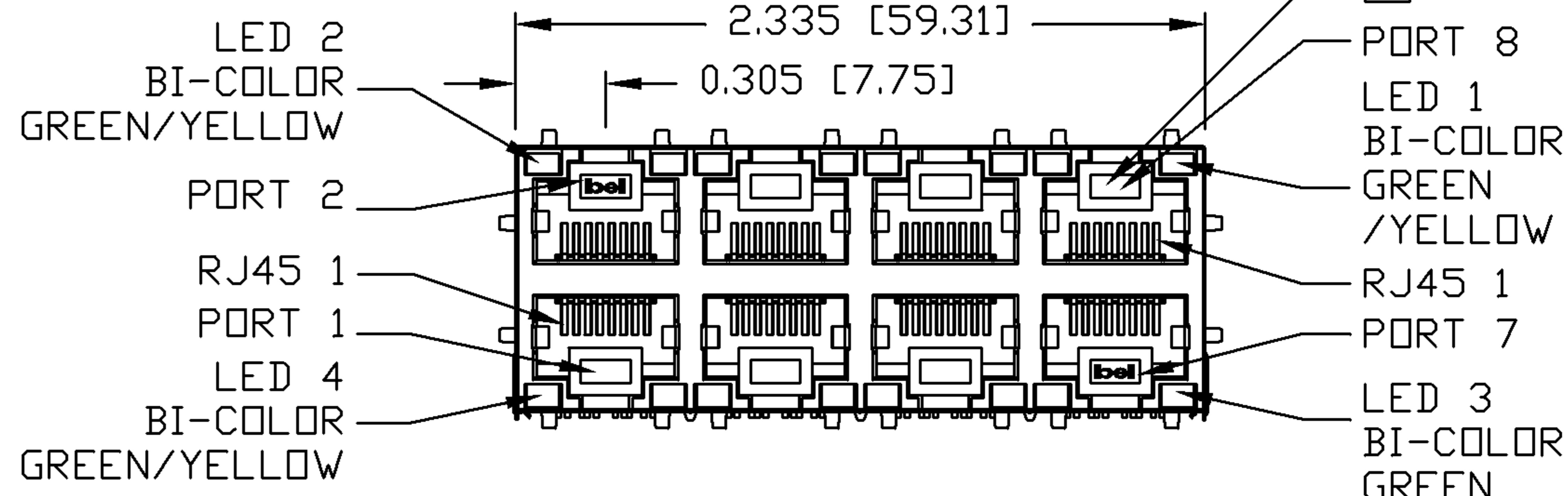
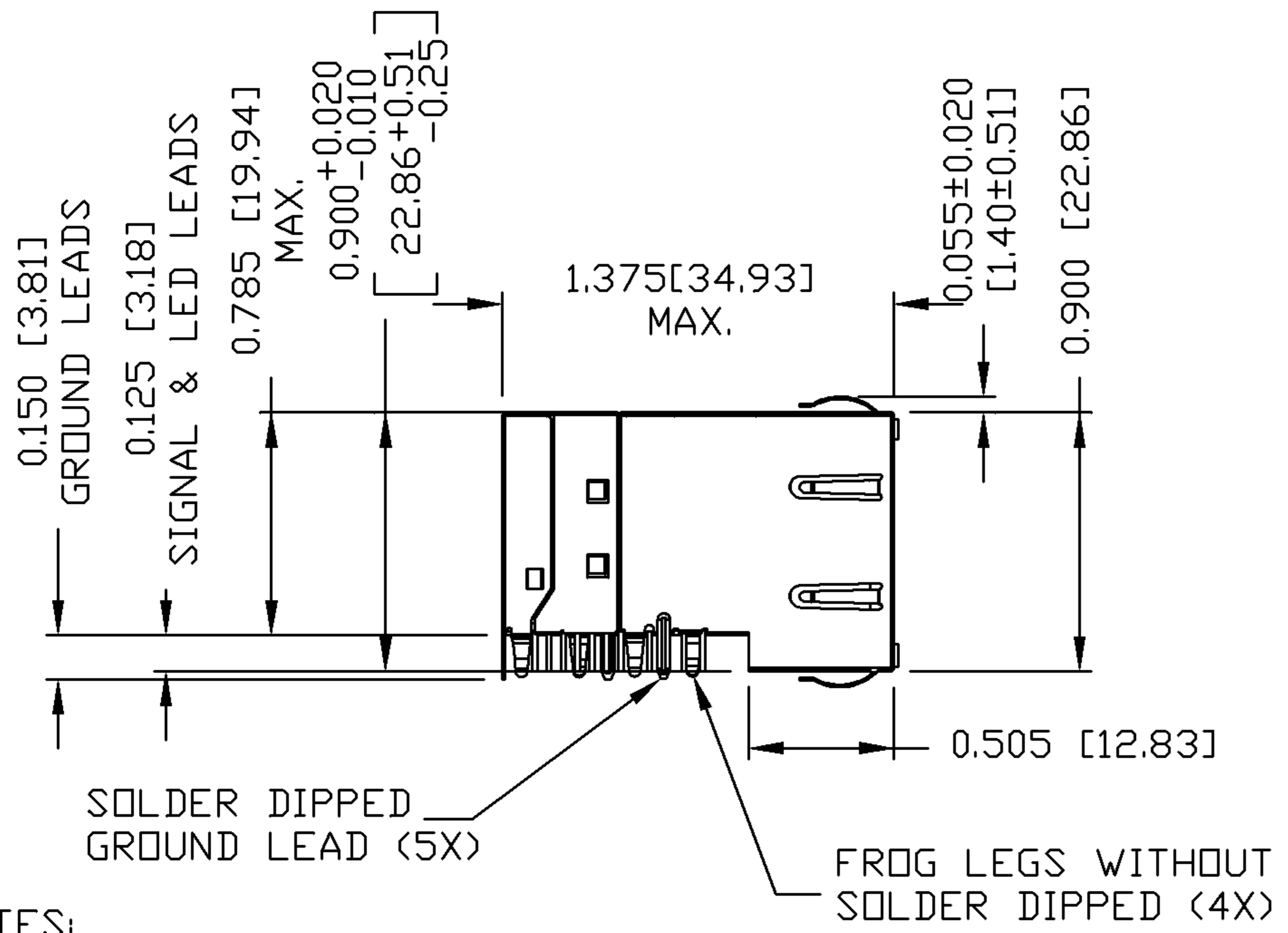
.X  
.XX  
.XXX

SCALE : N/A SIZE : A4 PAGE : 2



THE INFORMATION CONTAINED HEREIN IS CONSIDERED "PROPRIETARY" TO BEL FUSE INC. AND SHALL NOT BE COPIED, REPRODUCED OR DISCLOSED WITHOUT THE WRITTEN APPROVAL OF BEL FUSE INC.

PRELIMINARY



**NOTES:**  
 PLASTIC HOUSING: THERMOPLASTIC PBT  
 FLAMMABILITY RATING UL 94V-0  
 CONTACT PLATING: 30 MICRO-INCH HARD GOLD PLATING  
 OUTPUT PINS: TIN-COATED COPPER WIRE, DIA 0.018 INCH.  
 METAL SHIELD: NICKEL PLATED ON COPPER ALLOY.  
 (ALL GROUND LEADS ARE SOLDER DIPPED)  
 FROG LEGS ARE FOR PCB RETENTION FORCE ONLY AND NOT FOR GROUNDING PURPOSE

- [1] JACK CAVITY CONFORMS TO FCC RULES AND REGULATIONS, PART 68 SUBPART F.
- [2] MARK PART WITH MFG LOGO, MFG NAME, PART NUMBER, AND DATE CODE.

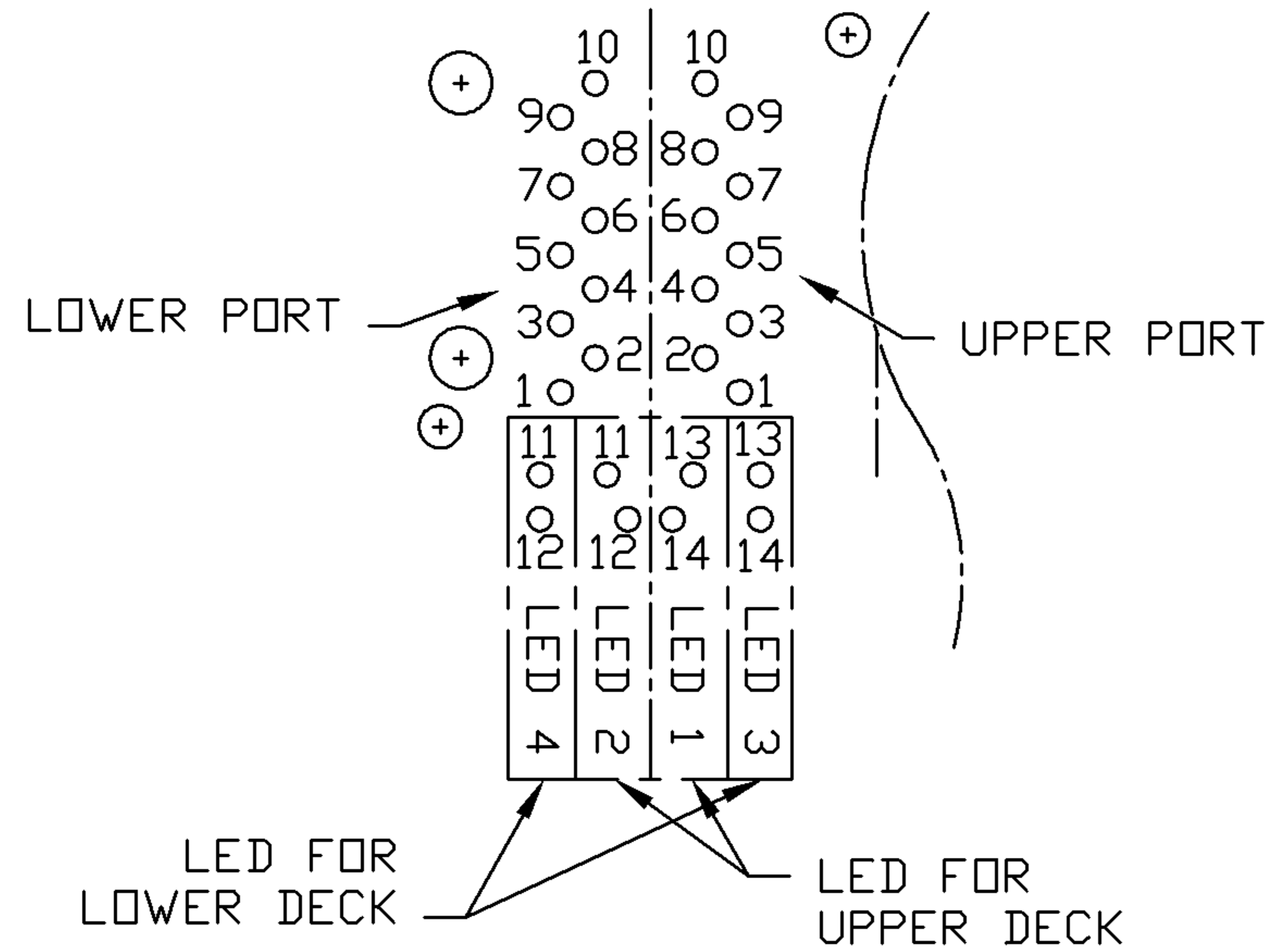
c us UL RECOGNIZED - FILE #E196366 AND E169987.  
 RoHS COMPLIANCE, PER EU DIRECTIVE 2002/95/EC.

3. REVERSED POLARITY OF GENERAL 'C' LED.

ORIGINATED BY HOWFAR WEI	DATE 01-13-09	TITLE 2X4 gigabit MagJack® (8 Cores)	PART NO. / DRAWING NO. C850-2C4R-54	STANDARD DIM. TOL. IN INCH .X	[ ] METRIC DIM. AS REFERENCE UNIT : INCH [mm]	REV. : PB	 COMPONENTS FOR A CONNECTED PLANET
DRAWN BY JOLLY LUO	DATE 01-13-09		FILE NAME C850-2C4R-54_PB.DWG	.XX	SCALE : N/A	SIZE : A4	
				.XXX ±0.010		PAGE : 3	

THE INFORMATION CONTAINED HEREIN IS CONSIDERED "PROPRIETARY" TO BEL FUSE INC. AND SHALL NOT BE COPIED, REPRODUCED OR DISCLOSED WITHOUT THE WRITTEN APPROVAL OF BEL FUSE INC.

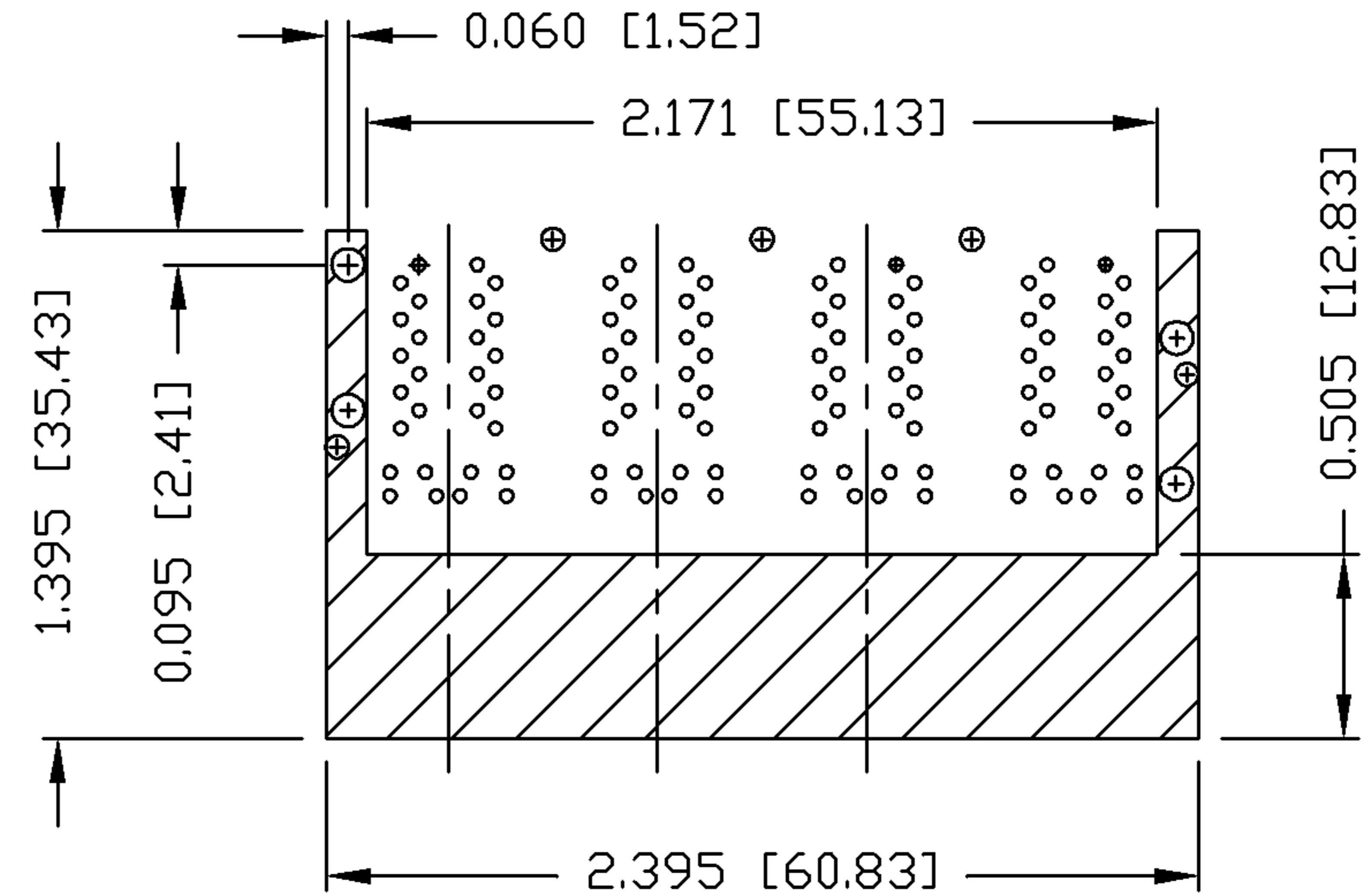
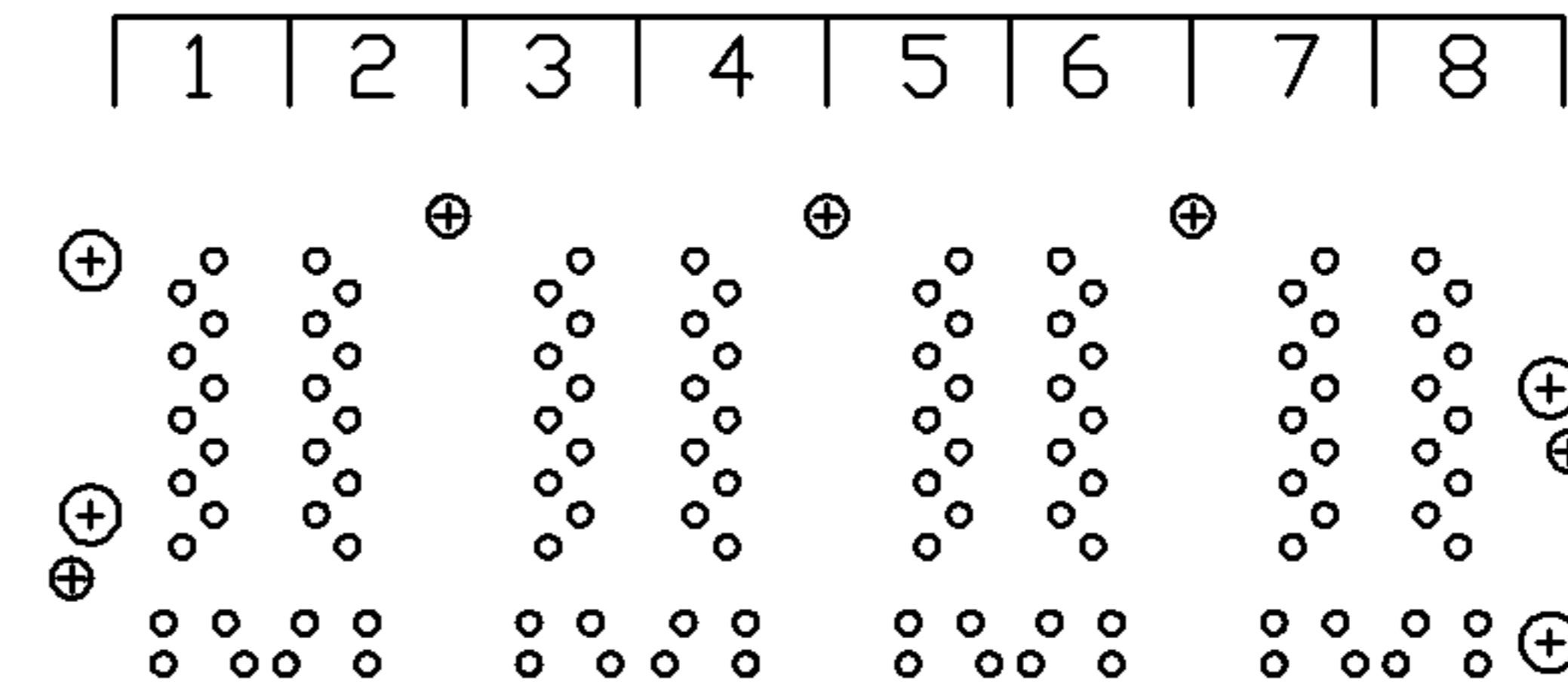
PRELIMINARY



**PIN-OUT INFORMATION**  
(COMPONENT SIDE VIEW)

10	GND
9	TRDCT1/2/3/4
8	TRD 4+
7	TRD 4-
6	TRD 3+
5	TRD 3-
4	TRD 2+
3	TRD 2-
2	TRD 1+
1	TRD 1-

**PORT ASSIGNMENT**  
(COMPONENT SIDE VIEW)

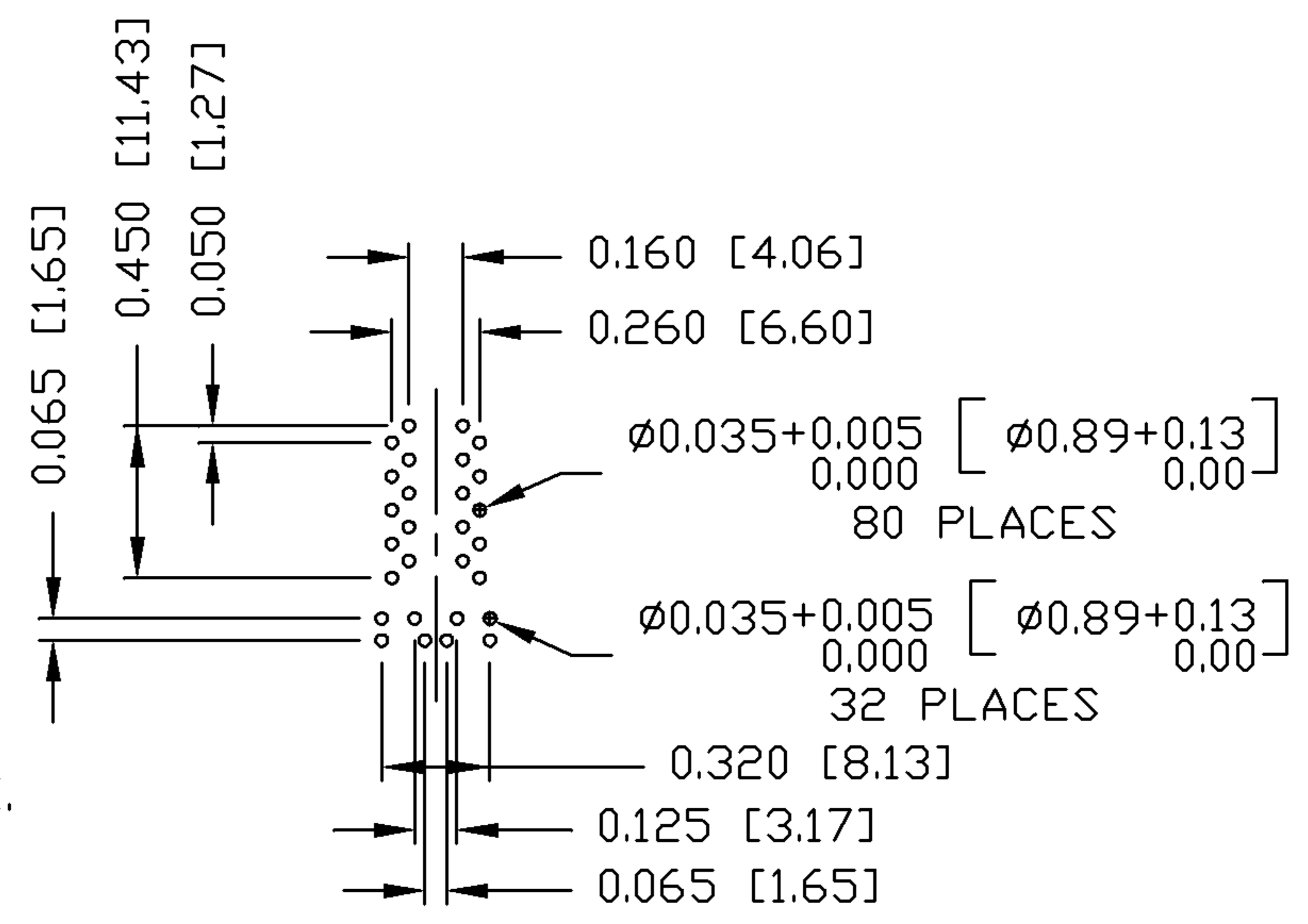
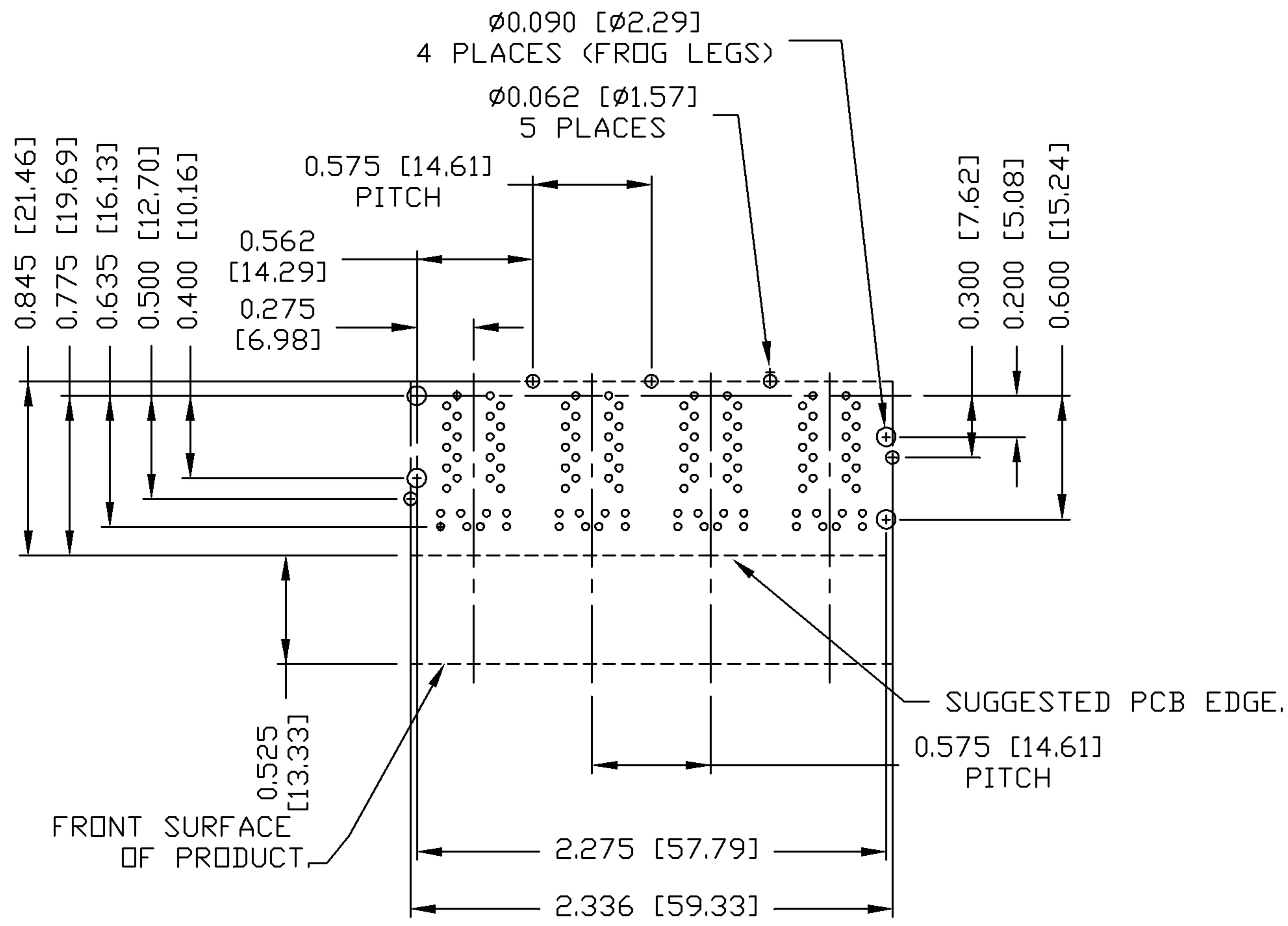


THE SHADED AREA ON THE CUSTOMER BOARD ARE RECOMMENDED TO BE CLEAR OFF ANY VIA HOLE OR COMPONENT PAD.

<b>ORIGINATED BY</b> HOWFAR WEI	<b>DATE</b> 01-13-09	<b>TITLE</b> 2X4 gigabit MagJack® (8 Cores)	<b>PART NO. / DRAWING NO.</b> C850-2C4R-54	<b>STANDARD DIM. TOL. IN INCH</b>	<b>[ ] METRIC DIM. AS REFERENCE</b>		<b>bel</b> COMPONENTS FOR A CONNECTED PLANET
<b>DRAWN BY</b> JOLLY LUO	<b>DATE</b> 01-13-09		<b>FILE NAME</b> C850-2C4R-54_PB.DWG	.X .XX .XXX	±0.004	UNIT : INCH [mm] SCALE : N/A	

THE INFORMATION CONTAINED HEREIN IS CONSIDERED "PROPRIETARY" TO BEL FUSE INC. AND SHALL NOT BE COPIED, REPRODUCED OR DISCLOSED WITHOUT THE WRITTEN APPROVAL OF BEL FUSE INC.

PRELIMINARY



SUGGESTED FOOTPRINT

<COMPONENT SIDE VIEW>

ORIGINATED BY HOWFAR WEI	DATE 01-13-09	TITLE 2X4 gigabit MagJack® (8 Cores)	PART NO. / DRAWING NO. C850-2C4R-54	STANDARD DIM. TOL. IN INCH	[ ] METRIC DIM. AS REFERENCE	
DRAWN BY JOLLY LUO	DATE 01-13-09		FILE NAME C850-2C4R-54_PB.DWG	.X .XX .XXX	UNIT : INCH [mm] SCALE : N/A	REV. : PB SIZE : A4 PAGE : 5

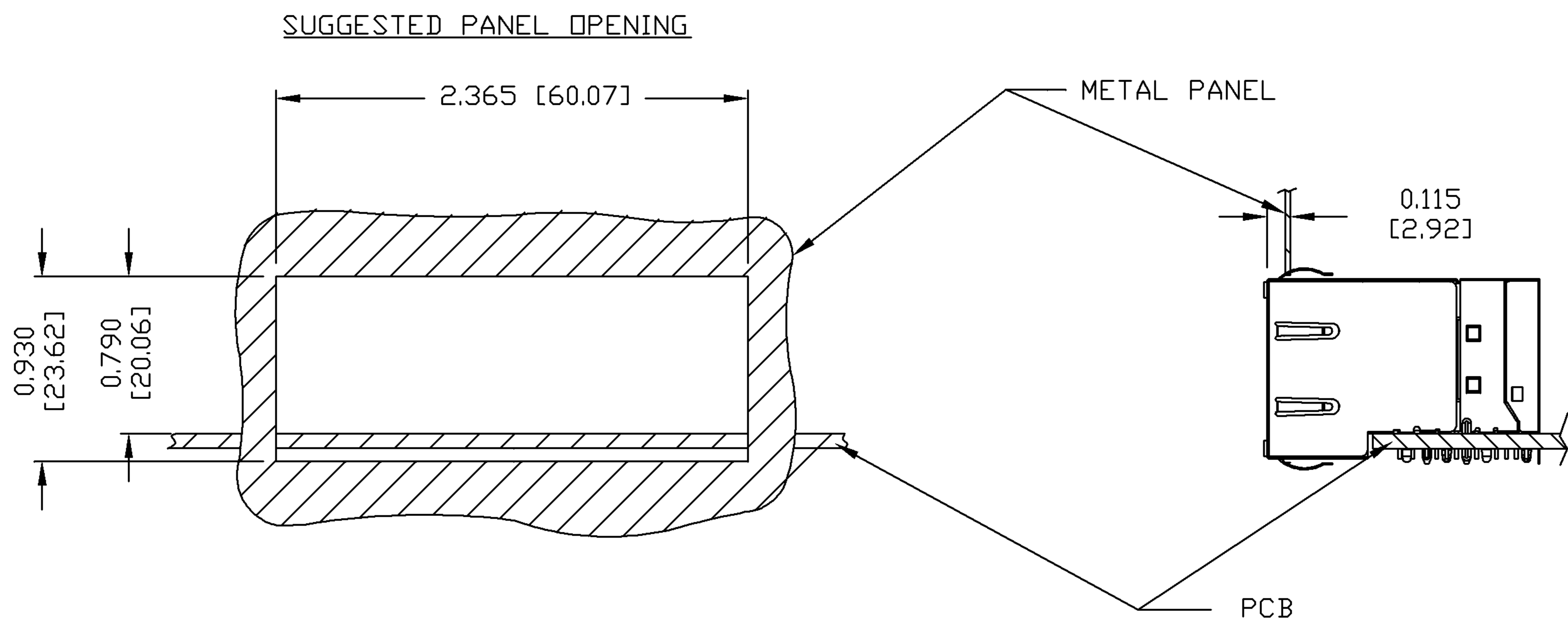
DC002(2)032305

This document is electronically generated. This is a controlled copy if used internally



THE INFORMATION CONTAINED HEREIN IS CONSIDERED "PROPRIETARY" TO BEL FUSE INC. AND SHALL NOT BE COPIED, REPRODUCED OR DISCLOSED WITHOUT THE WRITTEN APPROVAL OF BEL FUSE INC.

PRELIMINARY



NOTE:

THE DISTANCE OF PANEL INSIDE SURFACE RELATIVE TO FRONT SURFACE OF PART IS ONLY A SUGGESTION. IN CASE THIS DISTANCE IS DIFFERENT, THE REQUIRED PANEL OPENING DIMENSIONS CHANGE ACCORDINGLY.

PACKING INFORMATION

PACKING TRAY : 0200-9999-L1 (TOP)

0200-9999-L2 (BOTTOM)

PACKING QUANTITY : 20 PCS FINISHED GOODS PER TRAY.

6 TRAYS (120 PCS FINISHED GOODS) PER CARTON BOX.

NOTE : CARDBOARDS ARE PLACED BETWEEN LAYERS OF PACKING TRAY INSIDE CARTON BOX.

(INCLUDE THE UPPERMOST AND LOWERMOST TRAY)

ORIGINATED BY HOWFAR WEI	DATE 01-13-09	TITLE 2X4 gigabit MagJack® (8 Cores)	PART NO. / DRAWING NO. C850-2C4R-54	STANDARD DIM. TOL. IN INCH	[ ] METRIC DIM. AS REFERENCE	
DRAWN BY JOLLY LUO	DATE 01-13-09		FILE NAME C850-2C4R-54_PB.DWG	.X .XX .XXX ±0.004	UNIT : INCH [mm]	REV. : PB
					SCALE : N/A	SIZE : A4
						PAGE : 6

