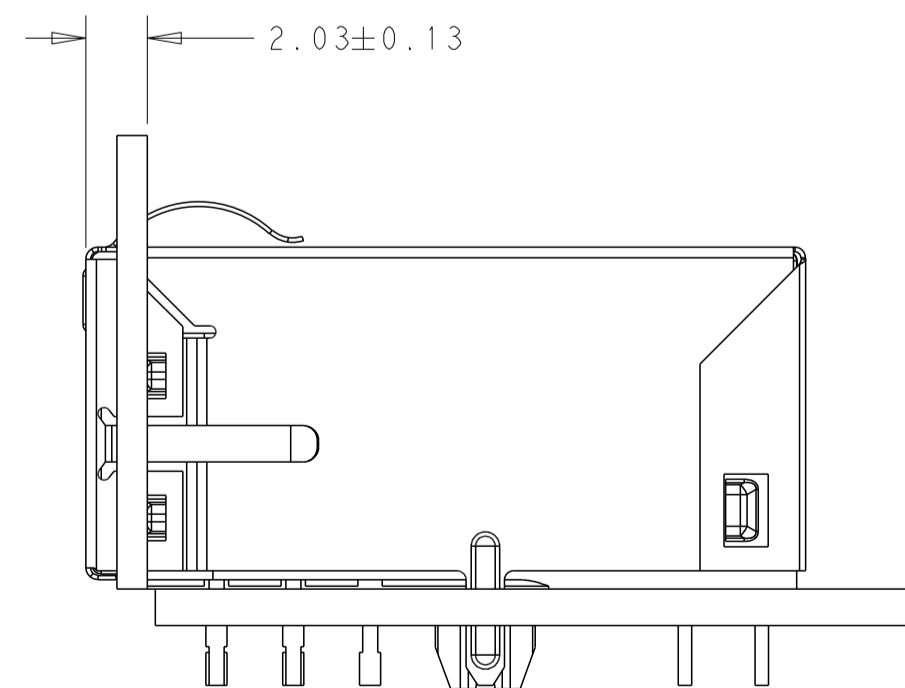
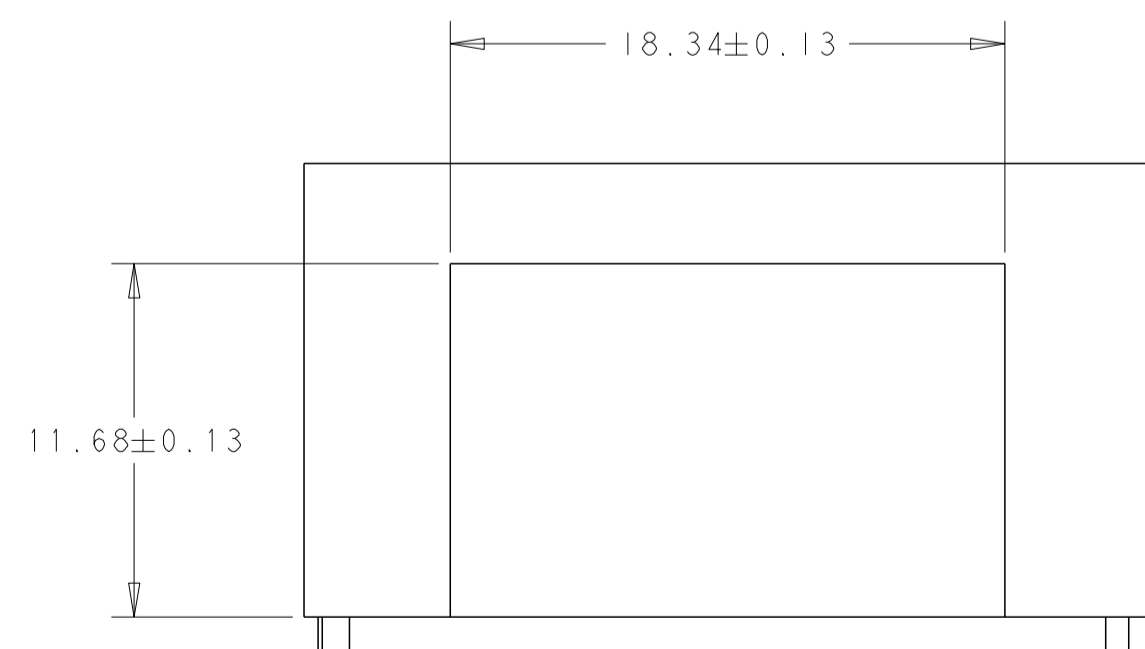
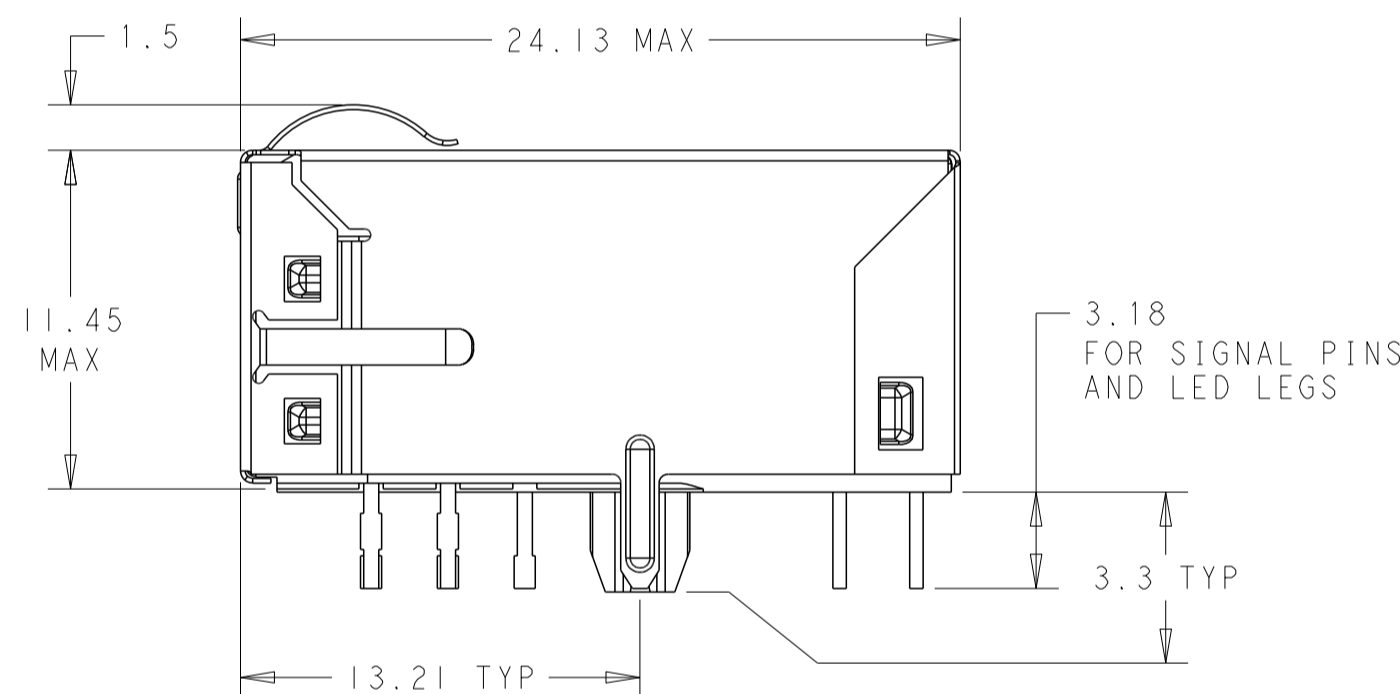
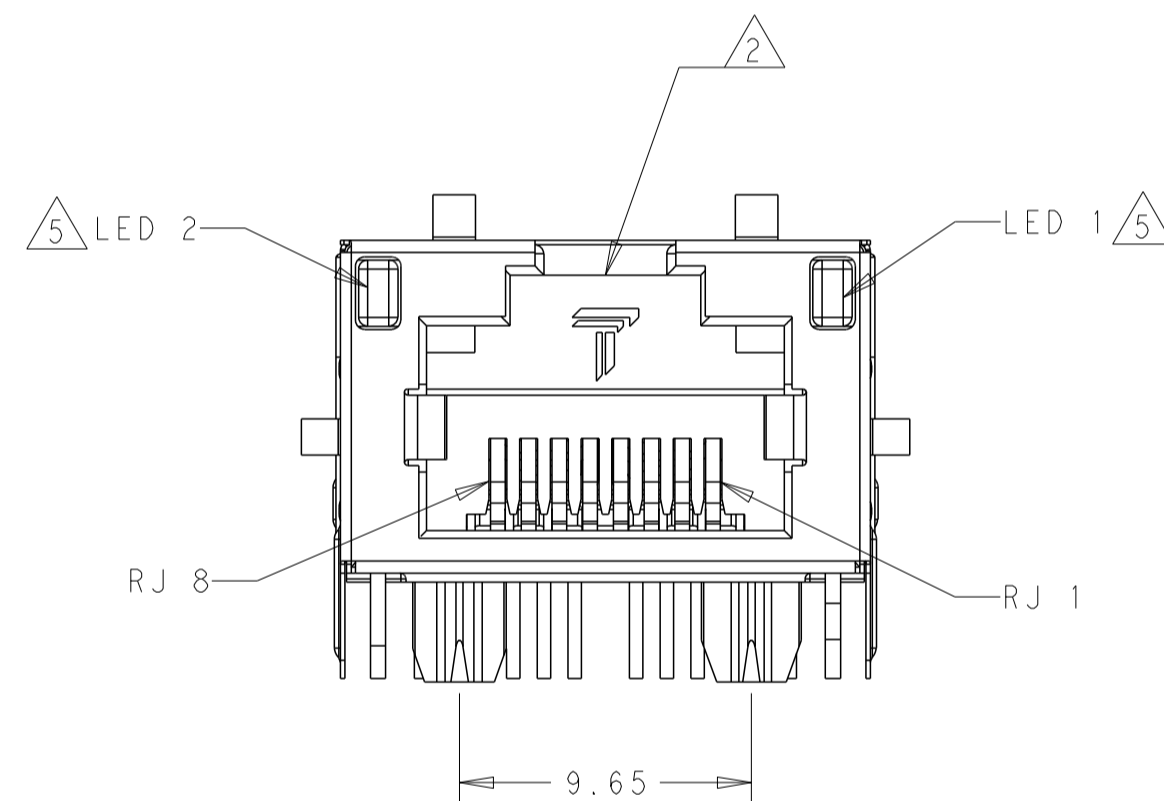
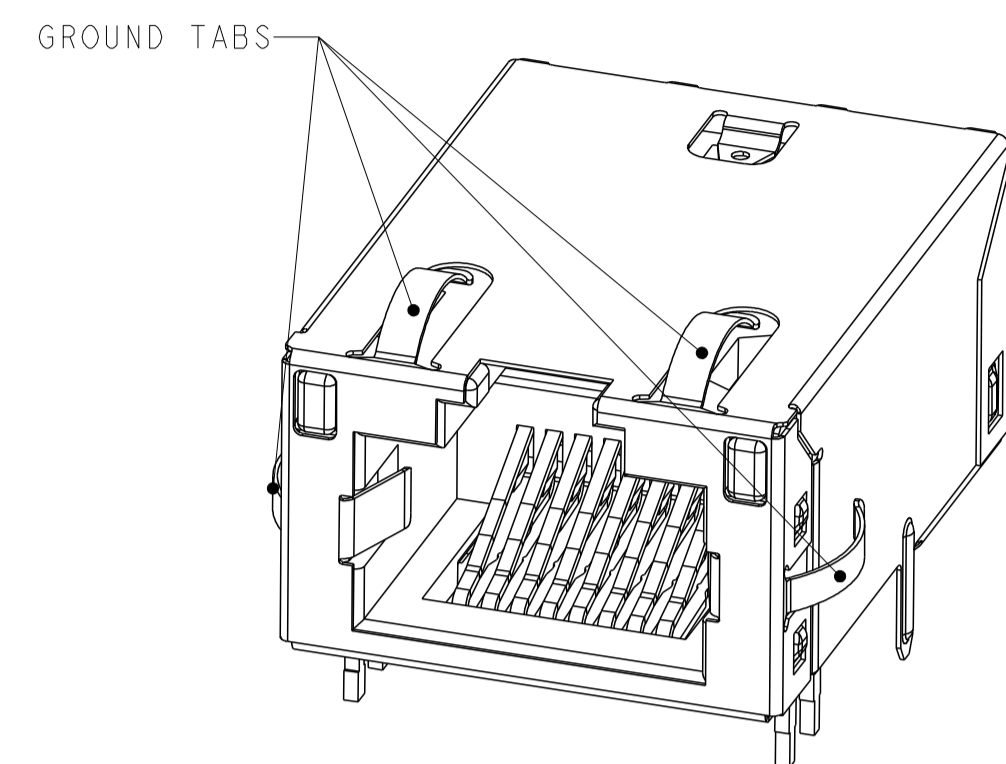
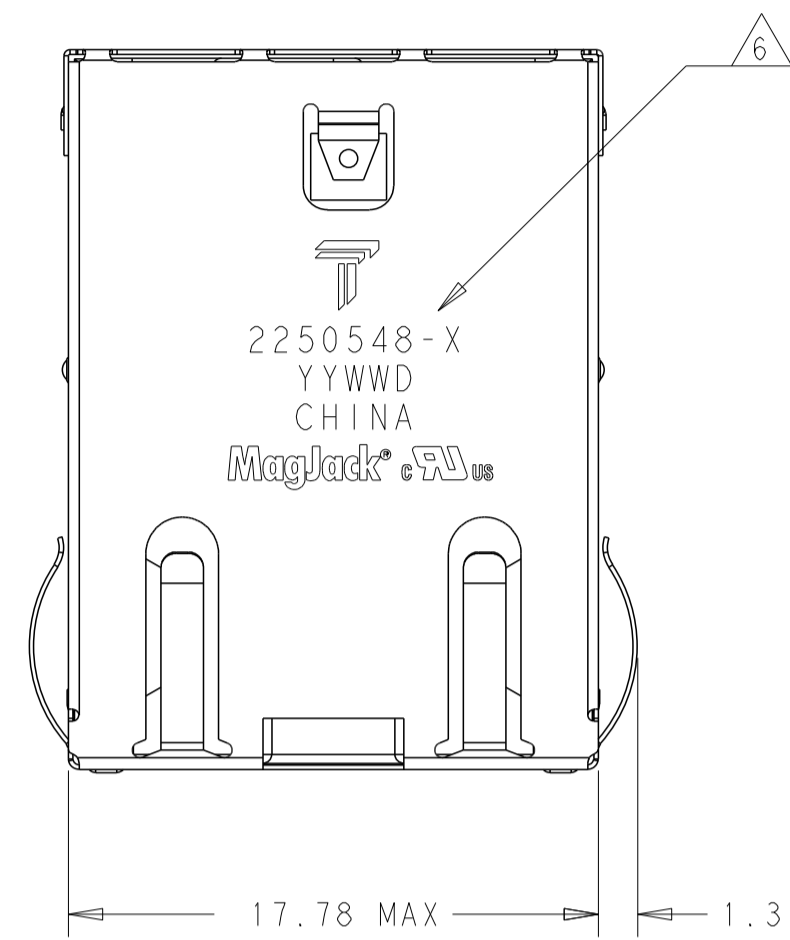


THIS DRAWING AND THE SUBJECT MATTER SHOWN THEREON ARE CONFIDENTIAL AND THE PROPERTY OF BEL/STEWART/TRP CONNECTOR AND SHALL NOT BE REPRODUCED, COPIED, OR USED IN ANY MANNER WITHOUT THE WRITTEN CONSENT OF TRP CONNECTOR.

PRODUCT MAY BE PROTECTED BY ONE OR MORE OF THE FOLLOWING US PATENTS:
 5736910 5939955 6425781 6428361 6554638 6840817 7123117
 7429195 7717749 7808751 6217391 6149050 7924130

REVISIONS				
#	LTN	DESCRIPTION	DATE	OWN APVD
1		INITIAL RELEASE	25SEP2017	JY TY



SUGGESTED PANEL CUTOUT

1. MATERIALS:

- HOUSING: THERMOPLASTIC FLAMMABILITY, RATING, UL 94V-0
- SHIELD: STAINLESS STEEL 0.15mm THICK, PREPLATED WITH 0.76 um MIN SEMI-BRIGHT NICKEL; SOLDER TABS POST PREPLATED WITH 3um TIN.
- MOD JACK CONTACTS: 0.3mm THICK, PHOSPHOR BRONZE, 1.27 um MIN OVERALL NICKEL UNDERPLATE, WITH 1.27um MIN LOCALIZED GOLD PLATE AT PLUG INTERFACE;
- LIGHT EMITTING DIODE (LED): DIFFUSED EPOXY LENS, 0.5mm X 0.5mm CARBON STEEL WIREFRAME LEADS PREPLATED WITH 2.03um MIN. SILVER PLATE OVER 1.02um MIN. NICKEL OVER 1.02um MIN. COPPER UNDERPLATE; LEADS POST-PLATED WITH 3.05um MIN. MATTE TIN.

△ RJ45 JACK CAVITY CONFORMS TO FCC RULES AND REGULATIONS PART 68, SUB-PART F.

△ MAGNETICS:

- APPLICATION: 10/100/1000 BASE-T EXTEND TEMPERATURE
- IMPEDANCE: 100 OHMS
- TURNS RATIO (CHIP:CABLE): 1:1 ALL FOUR PAIRS
- OPEN CIRCUIT INDUCTANCE (OCL): 350uH MIN @100kHz, 0.1VRMS, 8mADC BIAS FROM -40°C TO 100°C, ALL FOUR PAIRS
- ALL FOUR PAIRS BI-DIRECTIONAL
- PERFORMANCE @ 25°C:
 - INSERTION LOSS (IL): 1.1dB MAX FROM 0.5MHz TO 100MHz
 - RETURN LOSS (RL): 18dB MIN FROM 0.5MHz TO 40MHz
 - 12-20LOG(f/80)dB MIN FROM 40.1MHz TO 100MHz
 - CROSSTALK ATTENUATION: 35dB MIN FROM 0.5MHz TO 40MHz
 - 33-20LOG(f/50)dB MIN FROM 40.1MHz TO 100MHz
 - COMMON MODE REJECTION RATIO (CMRR): 30dB MIN FROM 0.5MHz TO 100MHz
- ISOLATION VOLTAGE: 2250 VDC FOR 60 SECONDS WITH A RISE TIME OF 500V/SEC

4. OPERATING TEMPERATURE: FROM -40°C TO 100°C

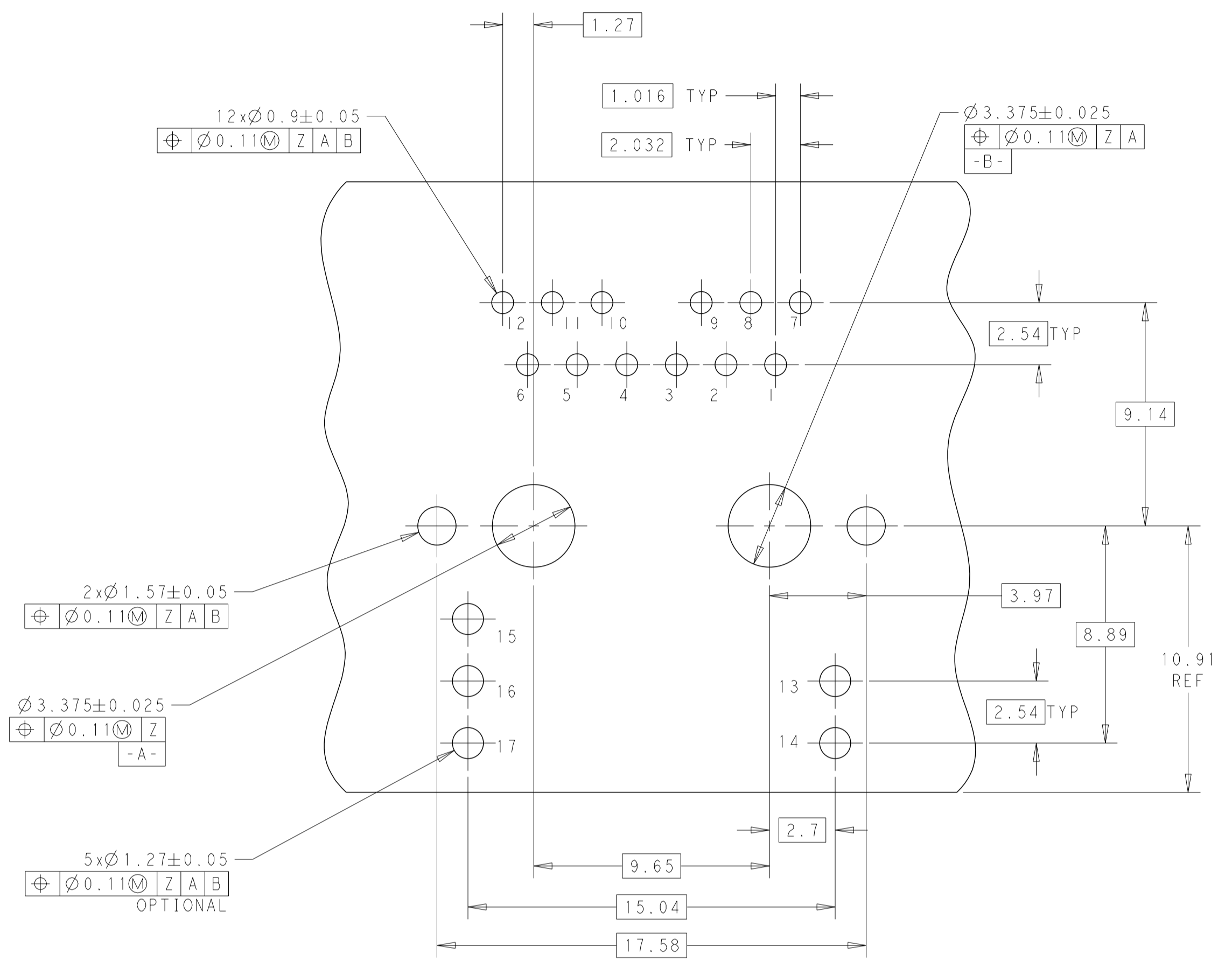
△ LED IS WITH CONSTANT CURRENT AT APPROX 20mA.
 LED COLOR: DONINANT WAVELENGTH(λD), GREEN = 568±5nm TYP. at IF=20mA
 FORWARD VOLTAGE(VF), GREEN 2.2V TYP. at IF=20mA.
 DONINANT WAVELENGTH(λD), YELLOW = 588±5nm TYP. at IF=20mA.
 FORWARD VOLTAGE(VF), YELLOW 2.1V TYP. at IF=20mA.

△ TRP CONNECTOR LOGO, PART NUMBER, DATE CODE, COUNTRY OF ORIGIN AND AGENCY APPROVAL MARKING IN APPROXIMATE LOCATION SHOWN.

△ PART SHOULD BE COMPLIANT TO WAVE SOLDERING PROCESS, PREHEAT TEMPERATURE IS 120°C TO 160°C, 120 SECONDS TO 180 SECONDS, PEAK SOLDERING TEMPERATURE IS 260°C MAX, 10 SECONDS MAX

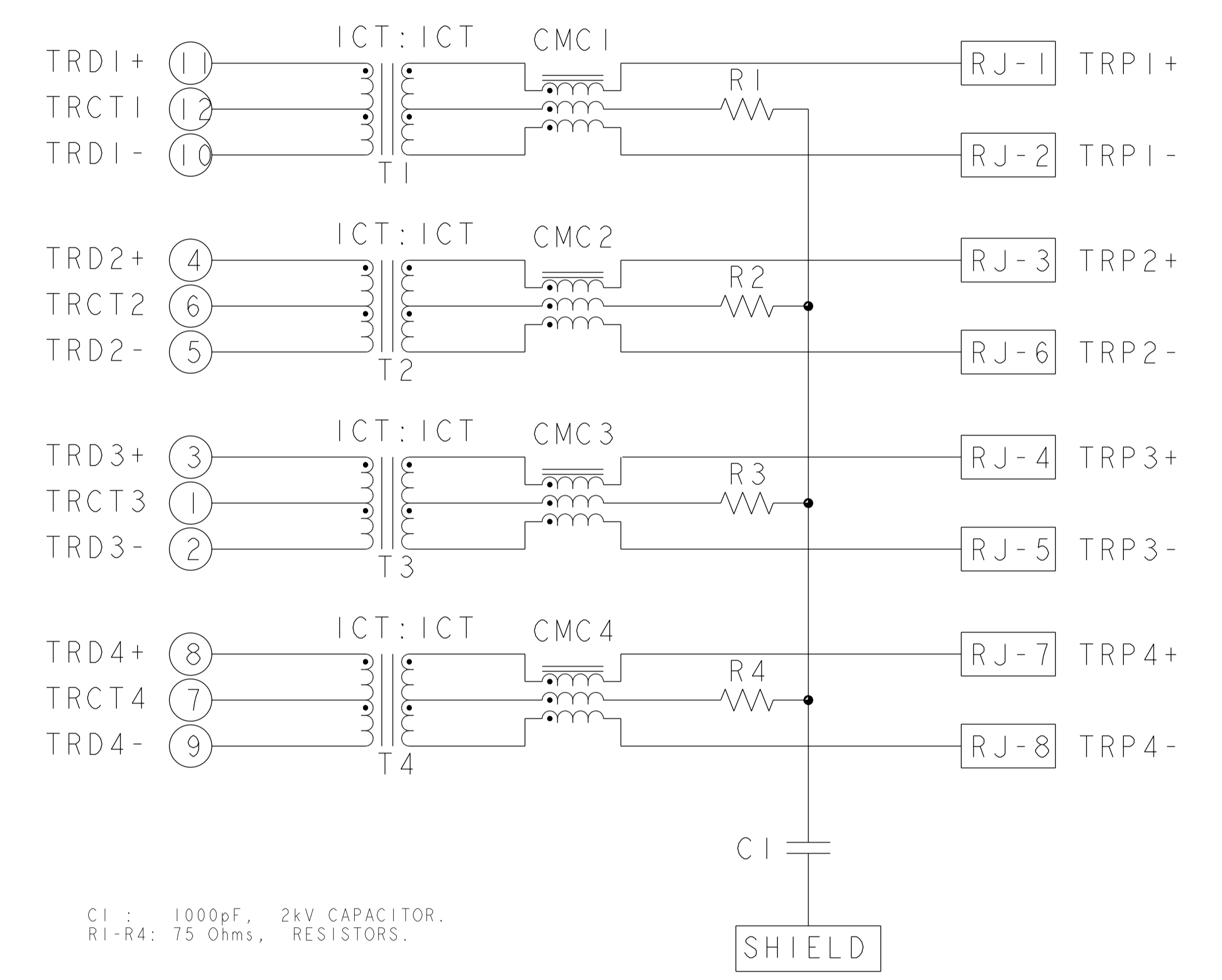
TRAY	WAVE SOLDERING △	YELLOW	GREEN	GREEN	2250548-1
PACKAGE METHOD	SOLDERING PROCESS	16 → 15	16 → 17	14 → 13	PART NO.
		LED 2		LED 1	

THIS DRAWING IS A CONTROLLED DOCUMENT. AND COMPLIANT TO ASME Y14.5M		OWN: JARRY YE / 25SEP2017	DONGGUAN CHINA a bel group
DIMENSIONS: mm		CHK: TOWER YU / BILL LIU / 25SEP2017	
TOLERANCES UNLESS OTHERWISE SPECIFIED:		APVD: TONY YUAN / 25SEP2017	MODEL NAME: MAGJACK
0 PLC ±0.25 1 PLC ±0.25 2 PLC ±0.25 3 PLC ± 4 PLC ± ANGLES ± APPLICATION SPEC ±		DESC: SINGLE Non-PoE	DESC: IXI 1G18ETL GIGABIT TAB UP LOW PROFILE W/ LED
PRODUCT SPEC: 108-104004		SIZE: A1	RESTRICTED TO: -
CUSTOMER DRAWING		SCALE: 4:1	SHEET 1 OF 3



SUGGESTED PCB LAYOUT


IG18ETL GIGABIT CIRCUIT



C1 : 1000pF, 2kV CAPACITOR.
 R1-R4: 75 Ohms, RESISTORS.

THIS DRAWING IS A CONTROLLED DOCUMENT. AND COMPLIANT TO ASME Y14.5M		DWN: JARRY YE / FRANK LIU 25SEP2017 CHK: TOWER YU / BILL LIU 25SEP2017 APP'D: TONY YUAN 25SEP2017	DONGGUAN CHINA
DIMENSIONS: mm 	TOLERANCES UNLESS OTHERWISE SPECIFIED: 0 PLC ±0.25 1 PLC ±0.25 2 PLC ±0.25 3 PLC ± 4 PLC ± ANGLES ± APPLICATION SPEC ±	MODEL NAME: MAGJACK DESC: SINGLE Non-PoE	
PRODUCT SPEC: 108-104004		SCALE: 4:1 SHEET 2 OF 3 REV 1	

C_2250548					STOCK DISPOSITION			
					A: CONTINUE AS IS		D: USE OLD FIRST	
					B: REWORK		E: PARTS TO CONFORM	
					C: SCRAP		F: OTHER	
REVISION HISTORY								
DATE	REV	CHANGES	REASON	APPROVAL	INVENTORY (A,B,C,D,E,F)	WORK IN PROCESS (A,B,C,F)	SUPPLIER ORDERS (A,E,F)	OPEN CUST ORDERS (A,E,F)
25SEP2017	1	-	INITIAL RELEASE	TONY YUAN	-	-	-	-

THIS DRAWING IS A CONTROLLED DOCUMENT. AND COMPLIANT TO ASME Y14.5M		DWG: JARRY YE / FRANK LIU 25SEP2017 CHK: TOWER YU / BILL LIU 25SEP2017 APP'D: TONY YUAN 25SEP2017		 trp CONNECTOR <small>a bel group</small>		DONGGUAN CHINA			
DIMENSIONS: mm		TOLERANCES UNLESS OTHERWISE SPECIFIED: 0 PLC ±0.25 1 PLC ±0.25 2 PLC ±0.25 3 PLC ± 4 PLC ± ANGLES APPLICATION SPEC				MODEL NAME: MAGJACK		DESC: IXI 1G18ETL GIGABIT TAB UP LOW PROFILE W/ LED	
PRODUCT SPEC: 108-104004		APPLICATION SPEC: -		SIZE: A1		CAGE CODE: C=2250548		RESTRICTED TO: -	
CUSTOMER DRAWING				SCALE: 4:1		SHEET 3 OF 3		REV: 1	