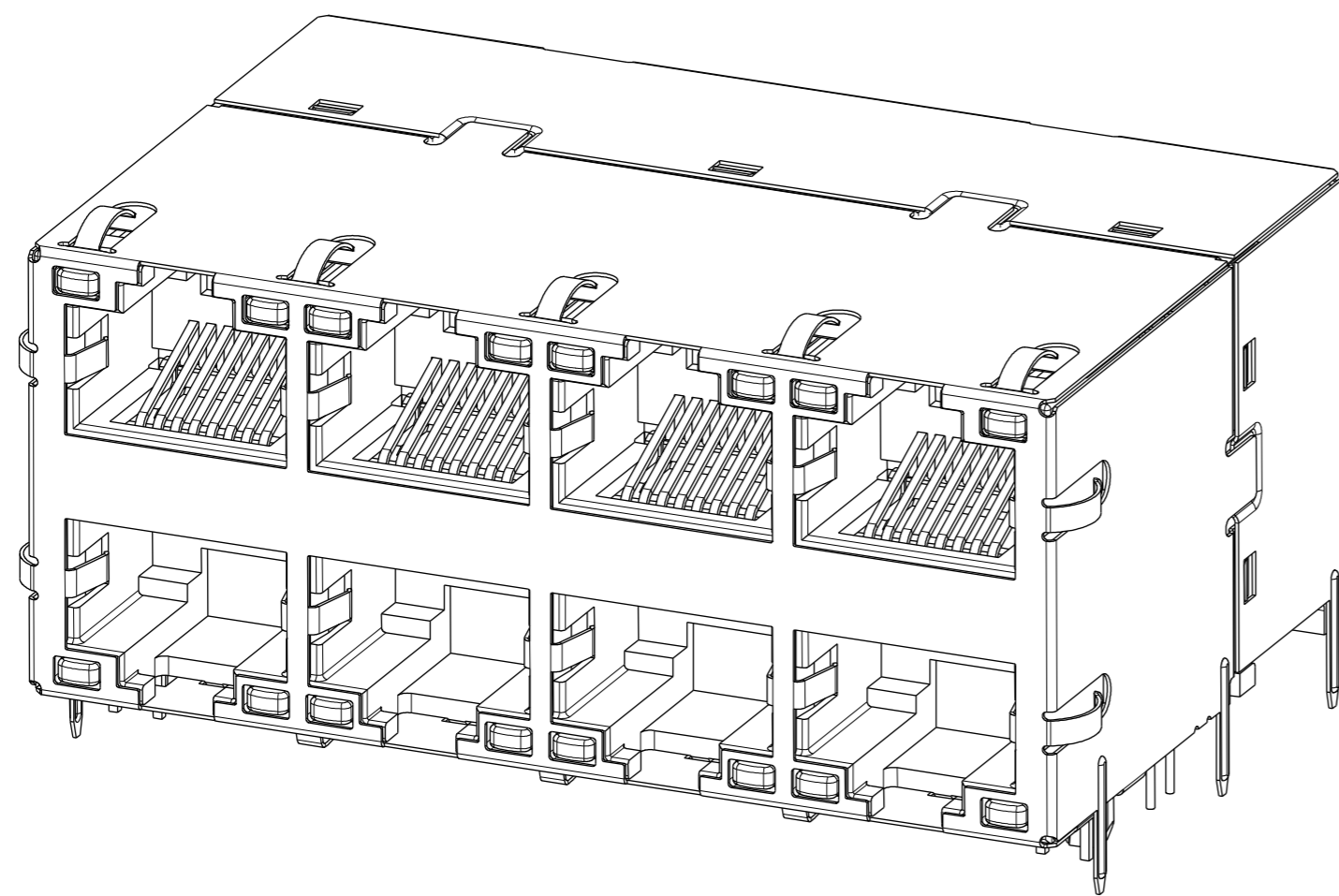


THIS DRAWING AND THE SUBJECT MATTER SHOWN THEREON ARE CONFIDENTIAL AND THE PROPERTY OF BEL/STEWART/TRP CONNECTOR AND SHALL NOT BE REPRODUCED, COPIED, OR USED IN ANY MANNER WITHOUT THE WRITTEN CONSENT OF TRP CONNECTOR.

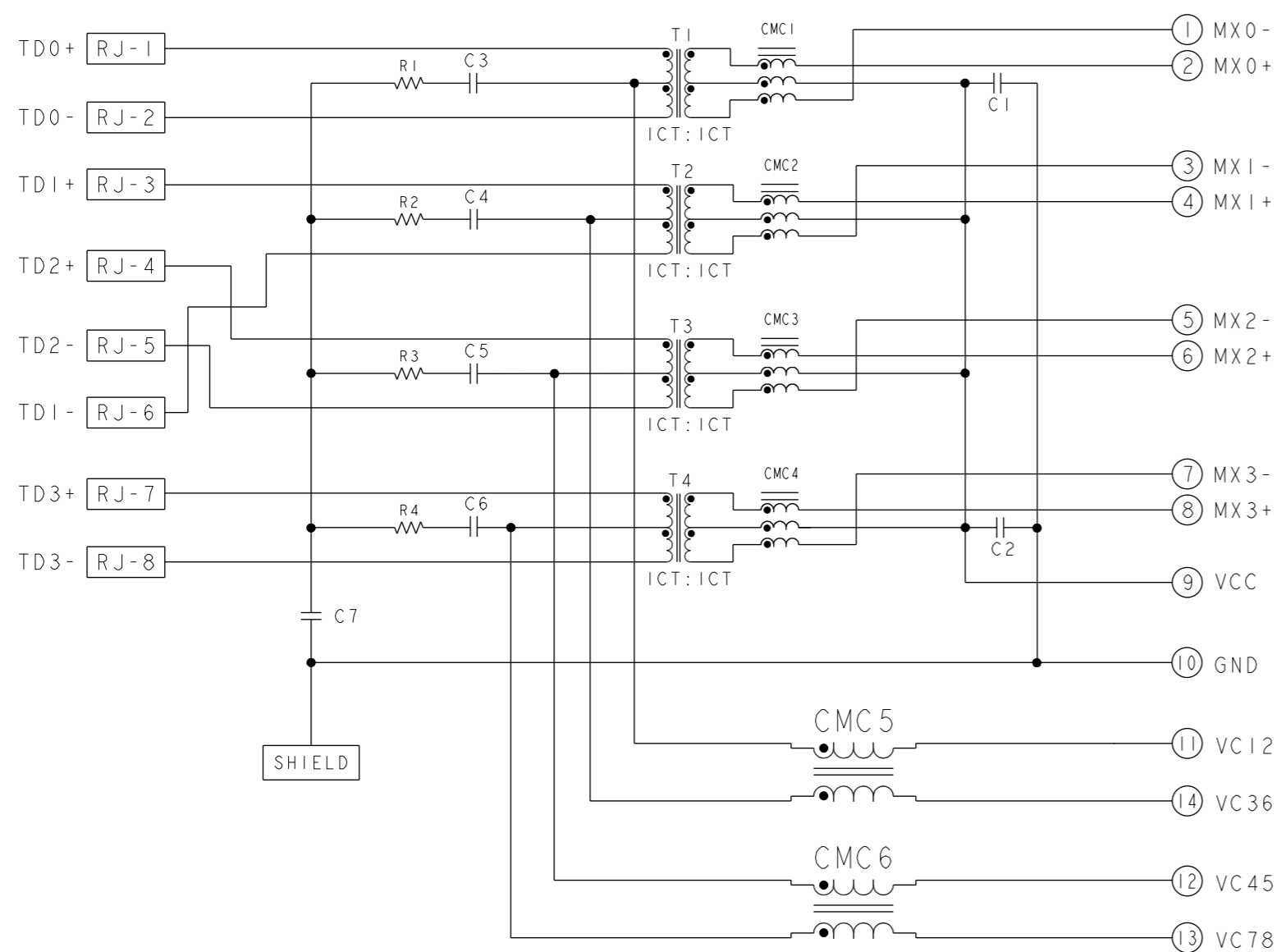
PRODUCT MAY BE PROTECTED BY ONE OR MORE OF THE FOLLOWING US PATENTS:
 5736910 5939955 6425781 6428361 6554638 6840817 7123117
 7429195 7717749 7808751 6217391 6149050 7924130

REVISIONS				
P	LYR	DESCRIPTION	DATE	APPD
2		SEE FINAL SHEET	14SEP2016	RL TY



S9HOT03ET 2.5G 4PPOE CIRCUIT

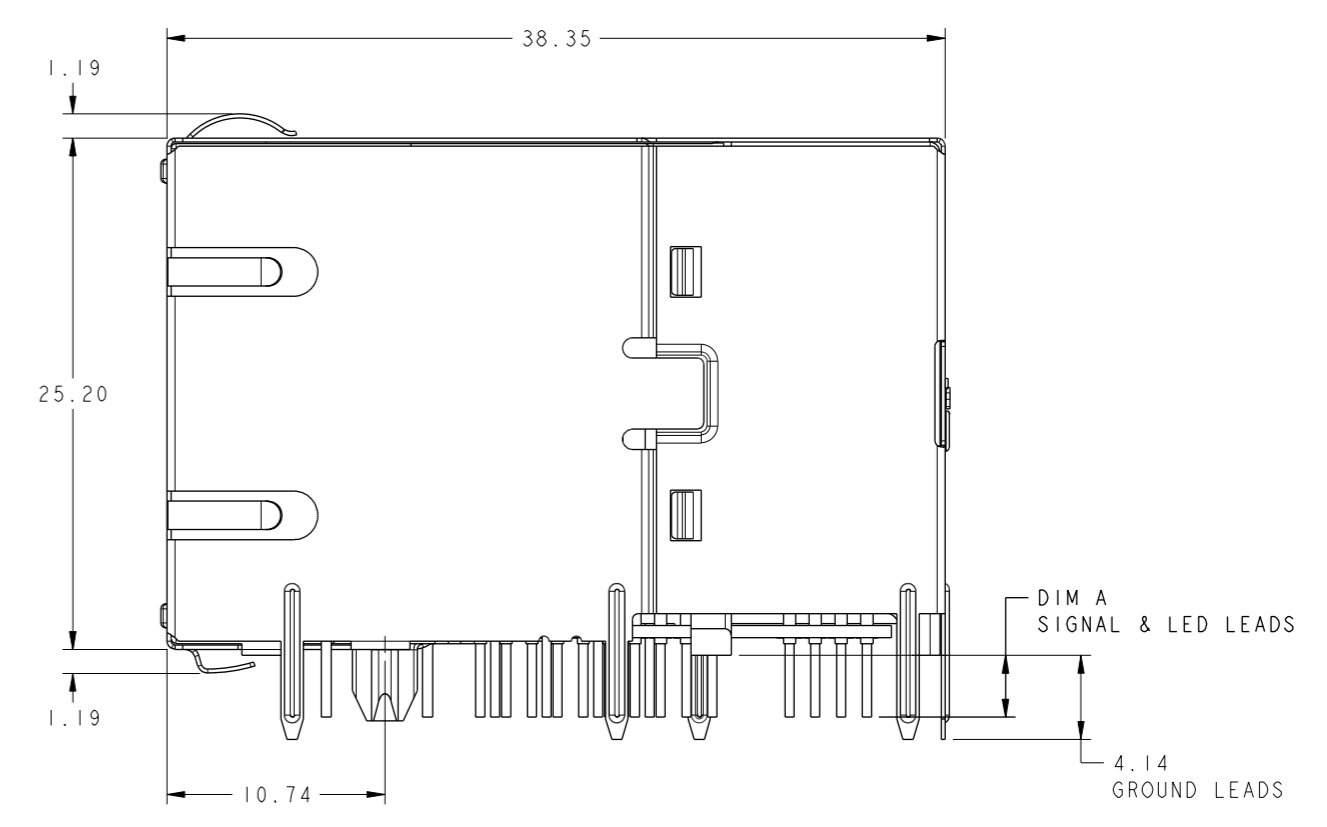
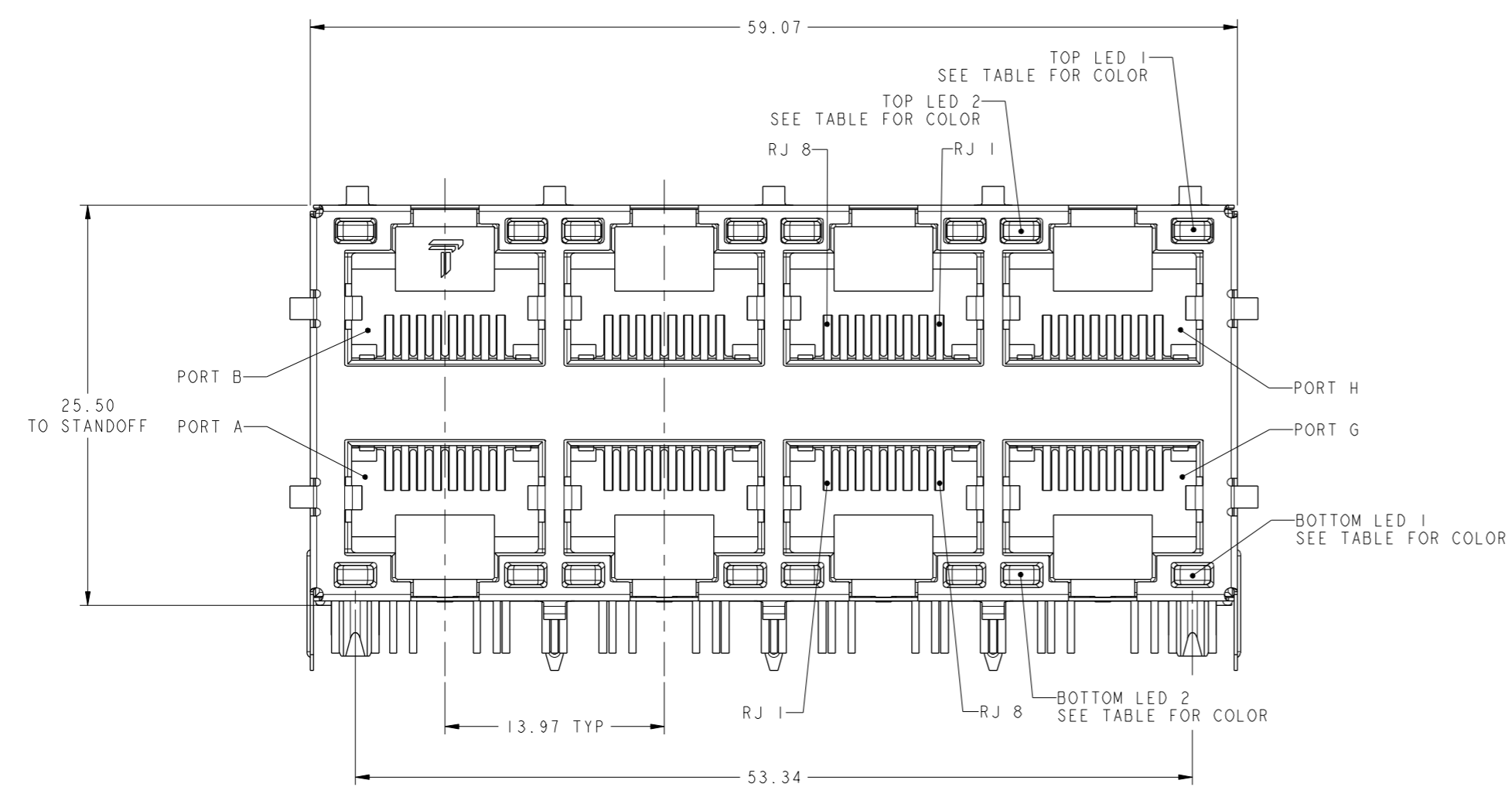
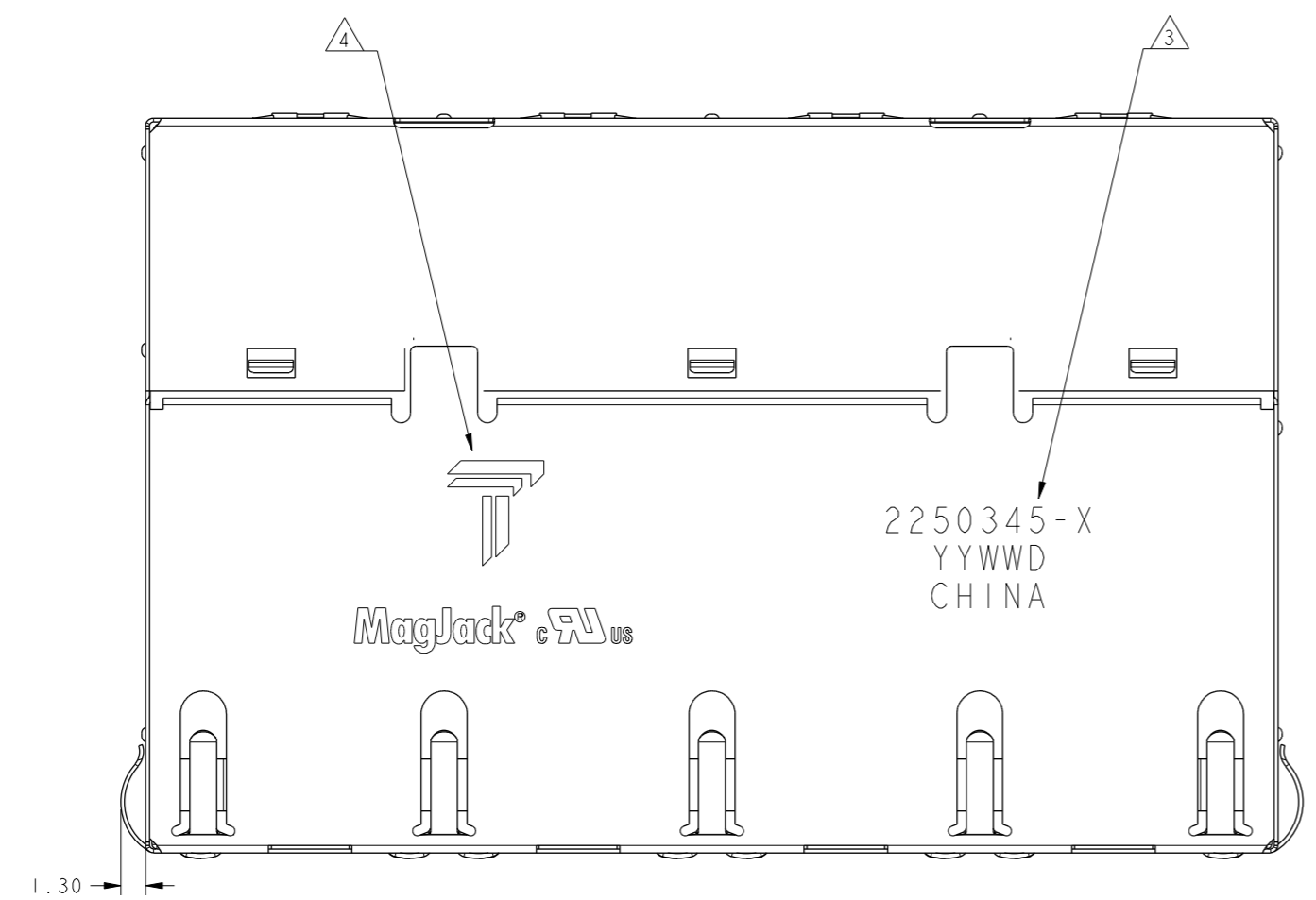
TOP AND BOTTOM PORTS




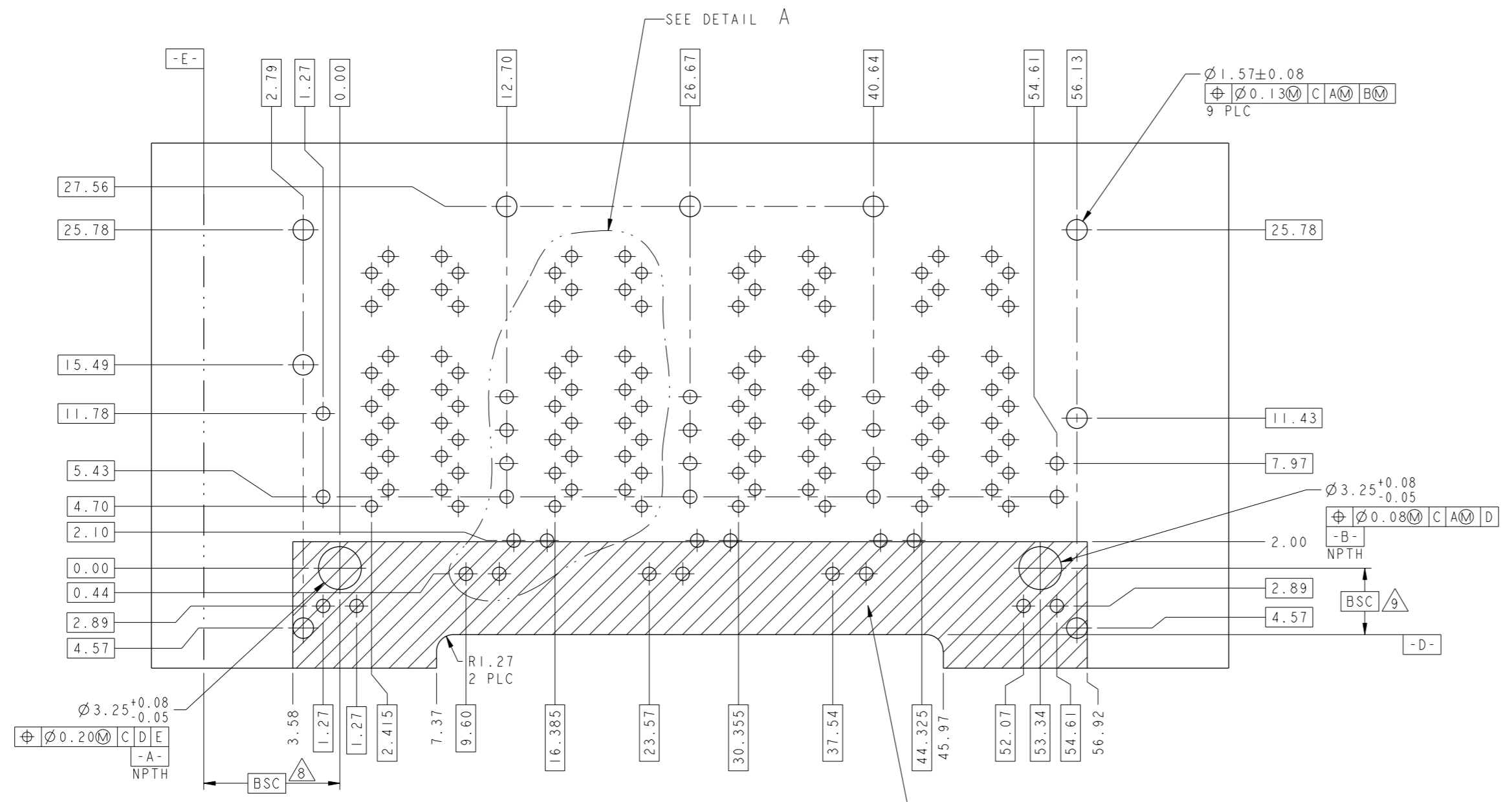
C1-C2 = 10nF, 50V, X7R, CAPACITORS
 C3-C6 = 22nF, 100V, CAPACITORS
 C7 = 1000pF, 2kV, CAPACITOR
 R1-R4 = 75 Ohms, 1/16W, RESISTORS

1. MATERIALS:
 PLASTIC HOUSING: BLACK, THERMOPLASTIC FLAMMABILITY RATING UL 94V-0
 SHIELD: BRASS, PREPLATED WITH 0.76um MIN SEMI-BRIGHT NICKEL,
 POST DIPPED WITH 2.54um MIN SAC SOLDER OR PURE TIN SOLDER DIP
 ON SOLDER TAILS,
 CONTACTS: PHOSPHOR BRONZE, 1.27um MIN OVERALL NICKEL
 UNDERPLATE WITH SELECT 1.27um MIN GOLD AT MATING INTERFACE AND
 2.54um MIN MATTE TIN ON SOLDER TAILS.
 LED: DIFFUSED EPOXY LENS, CARBON STEEL LEAD FRAME TAILS OF LED
 ARE PREPLATED WITH 2.03um MIN SILVER OVER 1.02um MIN NICKEL
 UNDERPLATE OVER 1.02um MIN COPPER UNDERPLATE. POST-PLATED WITH
 2.54um MIN MATTE TIN AND/OR SAC SOLDER DIP OR PURE TIN SOLDER DIP
2. MAGNETICS
 APPLICATION: 2.5G BASE-T, 4PPoE
 IMPEDANCE: 100 OHMS
 TURNS RATIO (CHIP: CABLE): 1:1 ALL FOUR PAIRS
 OPEN CIRCUIT INDUCTANCE (OCL):
 ALL CHANNELS 180uH MIN @ 100KHz, 0.1 VRMS WITH 8mA DC BIAS FROM -40°C TO 85°C,
 120uH MIN @ 100KHz, 0.1 VRMS WITH 19mA DC BIAS FROM -40°C TO 85°C
 ALL FOUR PAIRS BI-DIRECTIONAL
 POE CURRENT: 600mADC
 PERFORMANCE @ 25°C:
 INSERTION LOSS (IL): 0.004*(f) + 0.4 MAX FROM 1MHz TO 150MHz
 RETURN LOSS (RL): 20dB MIN FROM 1MHz TO 40MHz
 20 - 15LOG10(f/40)dB MIN FROM 40.1MHz TO 150MHz
 CROSSTALK ATTENUATION: 35dB MIN FROM 1MHz TO 40MHz
 35 - 15LOG10(f/40)dB MIN FROM 40.1MHz TO 150MHz
 COMMON MODE REJECTION: 25dB MIN FROM 1MHz TO 150MHz
 ISOLATION VOLTAGE: 2250VDC(MAX) FOR 60 SECONDS WITH A RISE TIME OF
 500V/SEC AND WITH ALL PORTS CONNECTED.
3. PART NUMBER, DATE CODE AND COUNTRY OF ORIGIN ARE
 LOCATED IN APPROXIMATE AREA SHOWN.
 DATE CODE: YYWW WHERE "YY" IS YEAR, "WW" IS WORK WEEK, "D" IS DAY
 OF WEEK, WITH SUNDAY = 1
4. TRP CONNECTOR LOGO AND AGENCY APPROVAL LOGO ARE
 LOCATED IN APPROXIMATE AREA SHOWN.
5. OPERATING TEMP: FROM -40°C TO 85°C.
6. RJ45 CAVITY CONFORMS TO FCC RULES AND REGULATION PART 68 SUBPART F.
7. INDICATED MAGNETIC CONNECTIONS ARE SYMMETRICAL AND
 SUPPORT AUTO-MDI/MDIX.
8. DATUM AND BASIC DIMENSION ESTABLISHED BY CUSTOMER.
9. BASIC DIMENSION ESTABLISHED BY CUSTOMER, BUT MAY NOT BE
 GREATER THAN 5.08mm.
10. LEDs ARE DRIVEN WITH CONSTANT CURRENT AT APPROX 20mA
 LED COLOR: DOMINANT WAVELENGTH (λD): GREEN 568 nm TYP. @ IF=20mA
 FORWARD VOLTAGE (VF): GREEN 2.2V TYP. @ IF=20mA
11. THE PARTS ARE RECOMMENDED FOR WAVE SOLDERING PROCESS,
 PEAK TEMPERATURE 260°C MAX, 10 SECONDS MAX.

3.04	GREEN	GREEN	GREEN	GREEN	2250345-1
DIM A	BOTTOM LED 2	BOTTOM LED 1	TOP LED 2	TOP LED 1	PART NUMBER
THIS DRAWING IS A CONTROLLED DOCUMENT, AND COMPLIANT TO ASME Y14.5M		DWN: RICK LI 290C12015 CHK: TOMMY REN/BILL LIU 290C12015 APPD: TONY YUAN 290C12015		DONGGUAN CHINA	
DIMENSIONS: mm		TOLERANCES UNLESS OTHERWISE SPECIFIED:		MODEL NAME: MAGJACK STACK 4PPoE DESC: 2X4 S9HOT03ET 2.5G 4PPoE CIRCUIT, W/ LED SIZE: A1 CAGE CODE: 2250345 DRAWING NO: 2250345	
0 PLC ±0.25 1 PLC ±0.25 2 PLC ±0.25 3 PLC ±0.25 4 PLC ±0.25 ANGLES ± APPLICATION SPEC		SCALE: NTS SHEET: 1 OF 5 REV: 2		RESTRICTED TO CUSTOMER DRAWING	

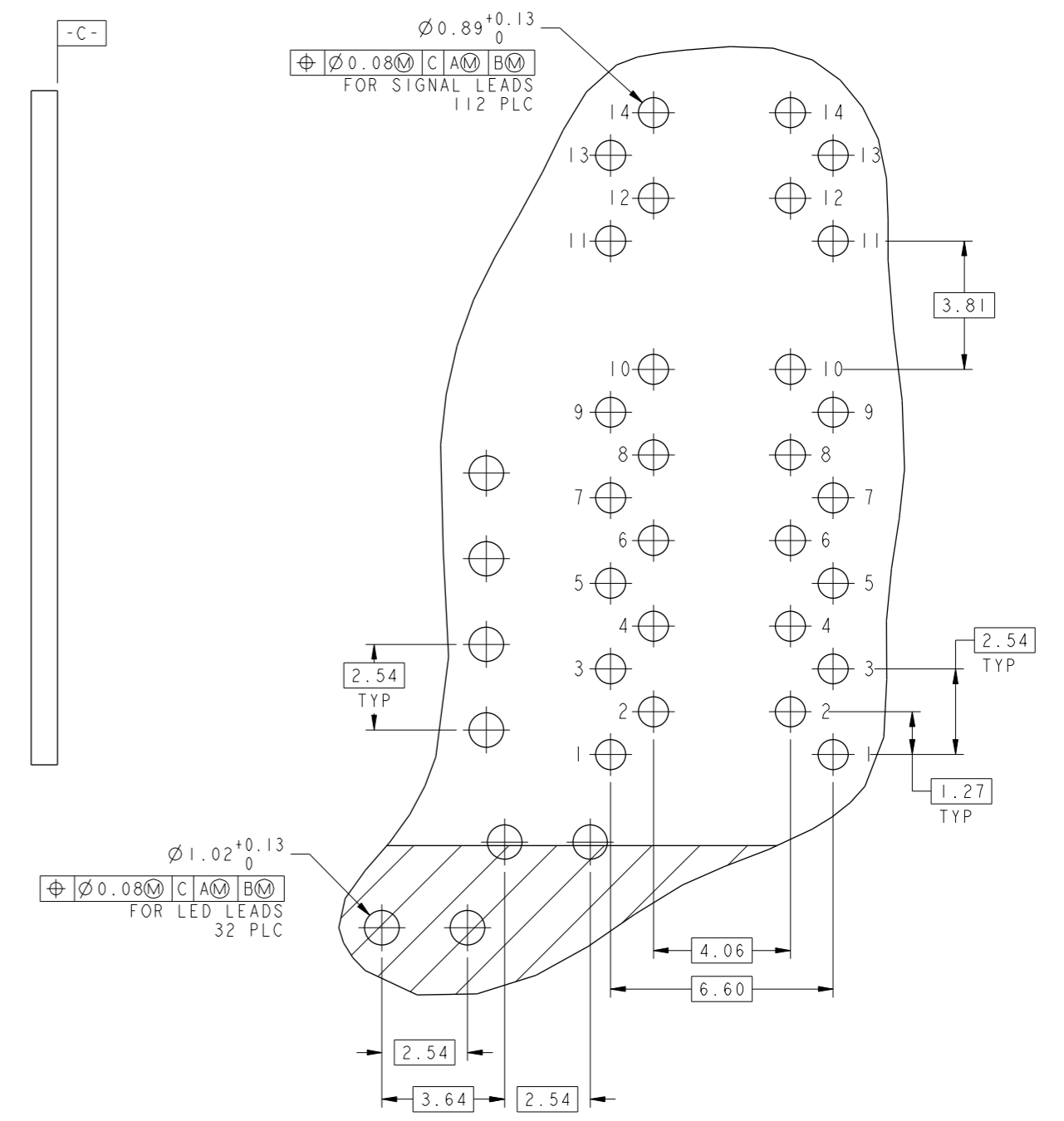


THIS DRAWING IS A CONTROLLED DOCUMENT. AND COMPLIANT TO ASME Y14.5M		DNW: RICK LI 29OCT2015	 trp CONNECTOR a bel group DONGGUAN CHINA
DIMENSIONS: mm		CHK: TOMMY REN/BILL LIU 29OCT2015	
TOLERANCES UNLESS OTHERWISE SPECIFIED:		APPV: TONY YUAN 29OCT2015	
0 PLC ±0.25 1 PLC ±0.25 2 PLC ±0.25 3 PLC ± 4 PLC ± ANGLES ± APPLICATION SPEC	MODEL NAME: MAGJACK STACK 4PPoE DESC: 2X4 S9HOT03ET 2.5G 4PPoE CIRCUIT, W/ LED SIZE: A1 SCALE: NTS SHEET: 2 OF 5 REV: 2	PRODUCT SPEC: CUSTOMER DRAWING CAGE CODE: 2250345 DRAWING NO: 2250345	RESTRICTED TO

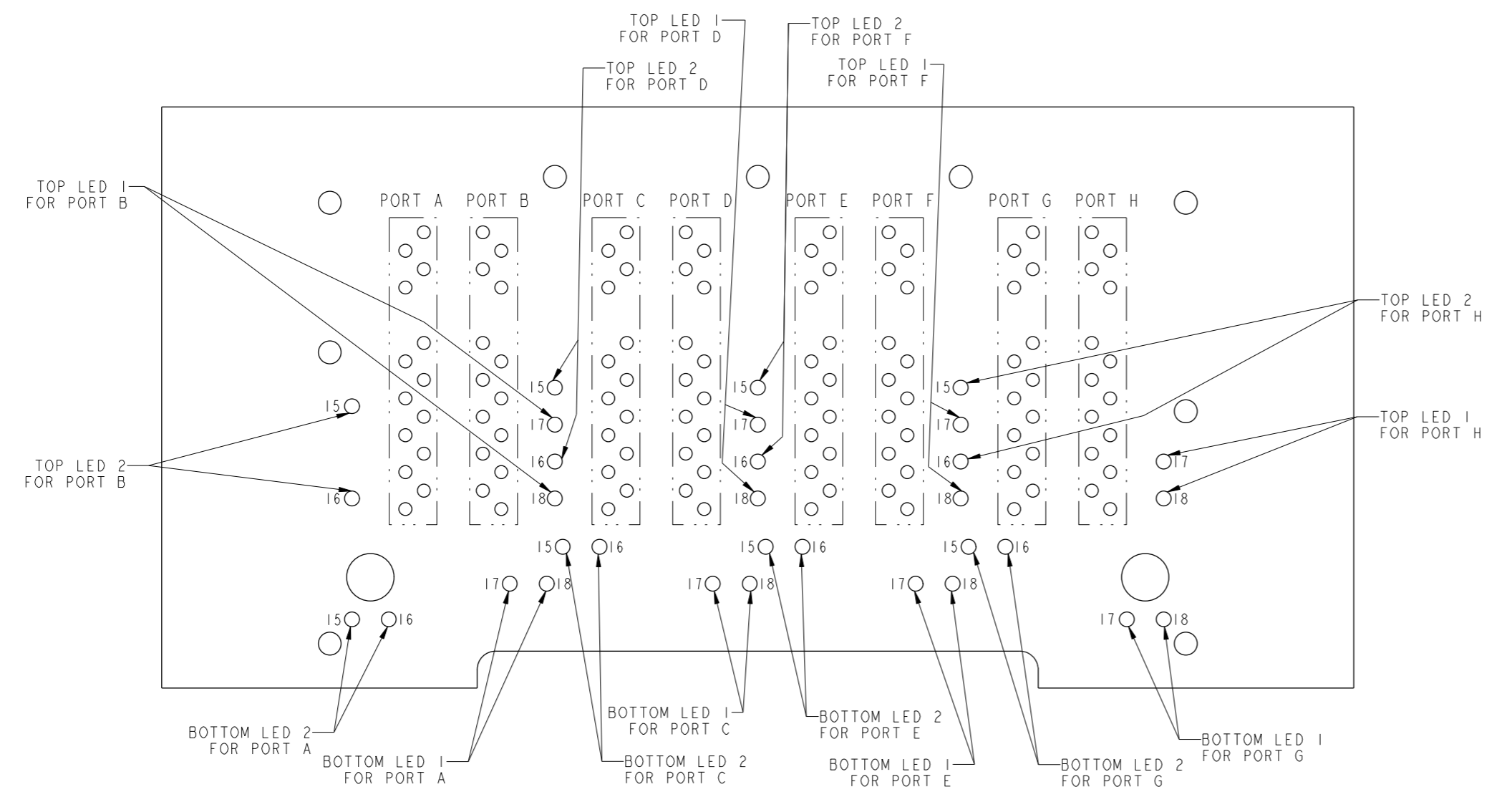


RECOMMENDED PCB LAYOUT COMPONENT SIDE VIEW

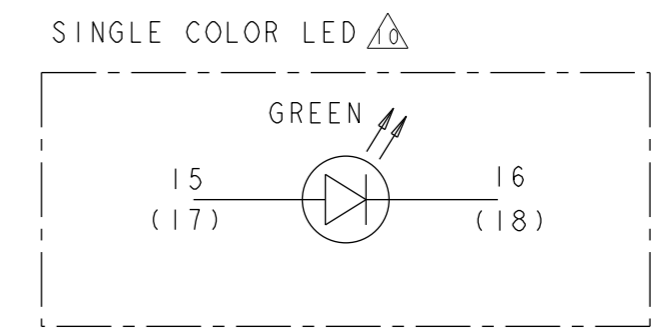
IT IS RECOMMENDED THAT SHADED AREA OF CUSTOMER PC BOARD BE CLEAR OF ANY VIA HOLE, COMPONENT AND CIRCUIT TRACE.



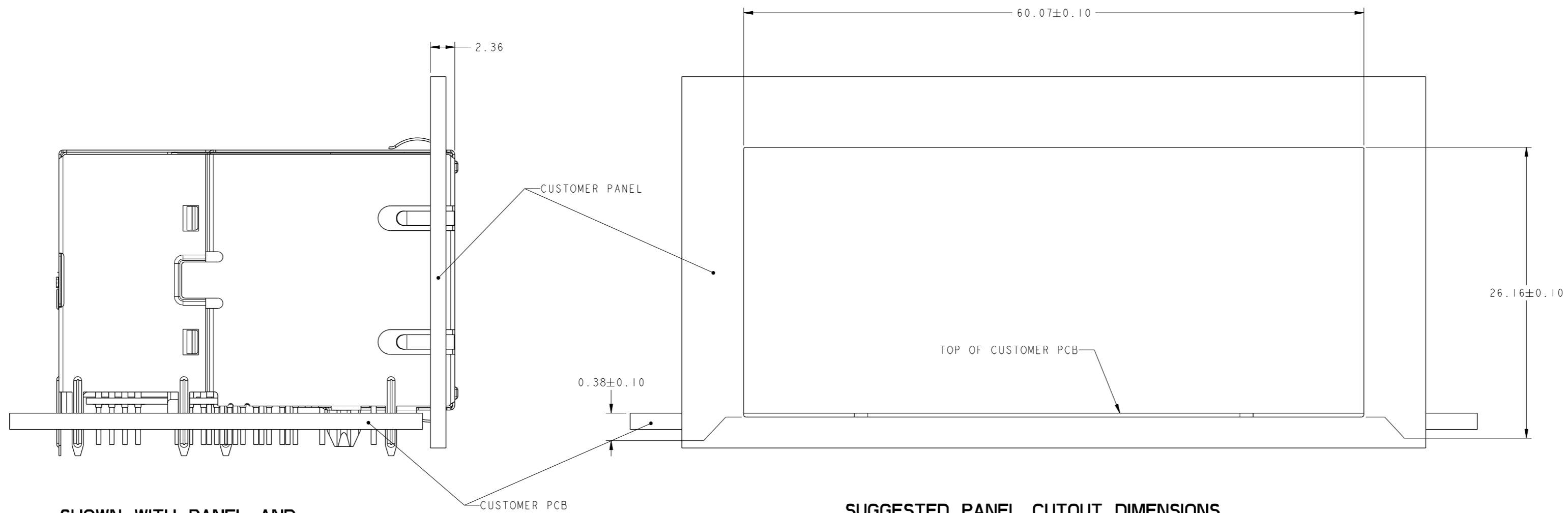
DETAIL A
SCALE 8:1



PORT ASSIGNMENT & LED HOLE DESIGNATIONS COMPONENT SIDE VIEW


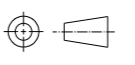


THIS DRAWING IS A CONTROLLED DOCUMENT AND COMPLIANT TO ASME Y14.5M		DWN: RICK LI 290C12015 CHK: TOMMY REN/BILL LIU 290C12015 APPR: TONY YUAN 290C12015	DONGGUAN CHINA
DIMENSIONS: mm TOLERANCES UNLESS OTHERWISE SPECIFIED: 0 PLC ±0.25 1 PLC ±0.25 2 PLC ±0.25 3 PLC ±0.25 4 PLC ±0.25 ANGLES ± APPLICATION SPEC	MODEL NAME: MAGJACK STACK 4PPoE DESC: 2X4 S9HOT03ET 2.5G 4PPoE CIRCUIT, W/ LED SIZE: A1 CAGE CODE: 2250345 DRAWING NO: 2250345	RESTRICTED TO: CUSTOMER DRAWING SCALE: NTS SHEET: 3 of 5 REV: 2	




SHOWN WITH PANEL AND CUSTOMER PCB ASSEMBLY

SUGGESTED PANEL CUTOUT DIMENSIONS

THIS DRAWING IS A CONTROLLED DOCUMENT. AND COMPLIANT TO ASME Y14.5M		DWN: RICK LI 29OCT2015 CHK: TOMMY REN/BILL LIU 29OCT2015 APPR: TONY YUAN 29OCT2015	 trp CONNECTOR a bel group DONGGUAN CHINA
DIMENSIONS: mm	TOLERANCES UNLESS OTHERWISE SPECIFIED: 0 PLC ±0.25 1 PLC ±0.25 2 PLC ±0.25 3 PLC ± 4 PLC ± ANGLES ± APPLICATION SPEC	MODEL NAME: MAGJACK STACK 4PPoE	
	PRODUCT SPEC:	SIZE: A1 CAGE CODE: C=2250345 DRAWING NO:	RESTRICTED TO:
CUSTOMER DRAWING		SCALE: NTS	SHEET 4 OF 5 REV 2

2250345					STOCK DISPOSITION			
2X4 S9HOT03ET 2.5G 4PPOE CIRCUIT, W/ LED					A: CONTINUE AS IS		D: USE OLD FIRST	
					B: REWORK		E: PARTS TO CONFORM	
					C: SCRAP		F: OTHER	
REVISION HISTORY								
DATE	REV	CHANGES	REASON	APPROVAL	INVENTORY (A,B,C,D,E,F)	WORK IN PROCESS (A,B,C,F)	SUPPLIER ORDERS (A,E,F)	OPEN CUST ORDERS (A,E,F)
29OCT2015	1	-	INITIAL RELEASE	TY	-	-	-	-
14SEP2016	2	CHANGED THE OPERATING TEMP TO FROM -40°C TO 85°C	CUSTOMER REUOEST	TY	-	-	-	-

THIS DRAWING IS A CONTROLLED DOCUMENT. AND COMPLIANT TO ASME Y14.5M		DWN: RICK LI 29OCT2015		 trp CONNECTOR <small>a bel group</small>	DONGGUAN CHINA	
DIMENSIONS: mm		CHK: TOMMY REN/BILL LIU 29OCT2015			DESC: 2X4 S9HOT03ET 2.5G 4PPOE CIRCUIT, W/ LED	
TOLERANCES UNLESS OTHERWISE SPECIFIED:		APPV: TONY YUAN 29OCT2015			RESTRICTED TO	
0 PLC ±0.25 1 PLC ±0.25 2 PLC ±0.25 3 PLC ± 4 PLC ± ANGLES ± APPLICATION SPEC		MODEL NAME: MAGJACK STACK 4PPOE SIZE: A1 CAGE CODE: C=2250345 DRAWING NO:		SCALE: NTS SHEET: 5 OF 5 REV: 2		
PRODUCT SPEC		CUSTOMER DRAWING				