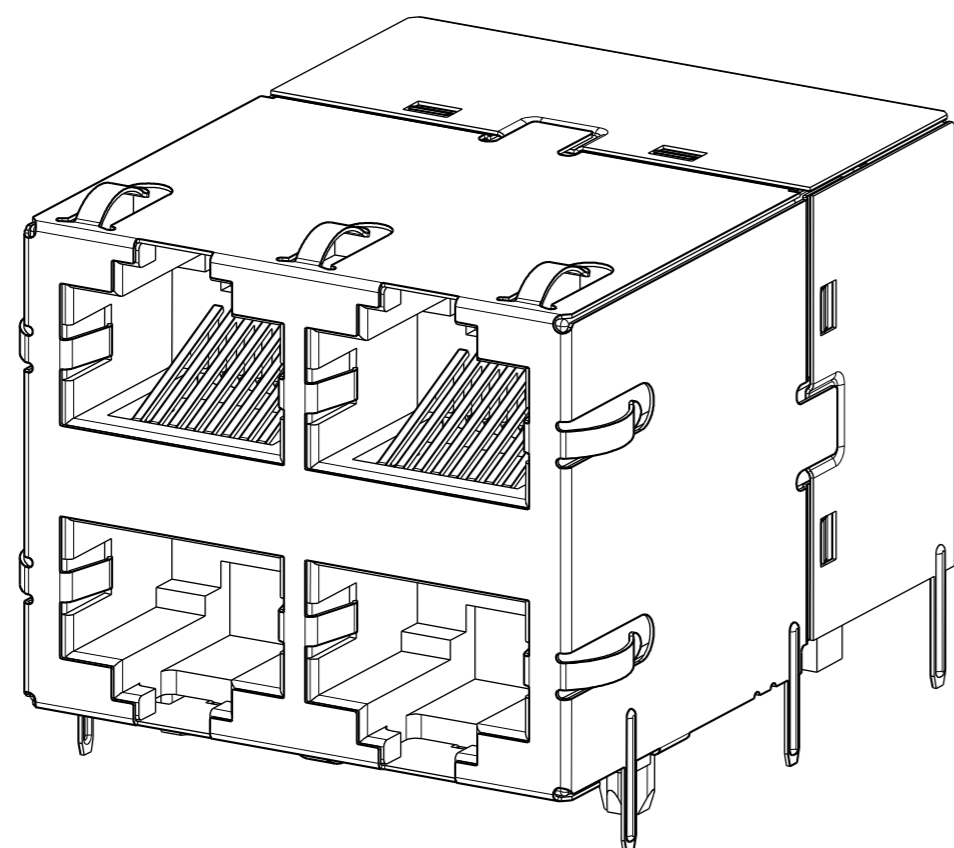


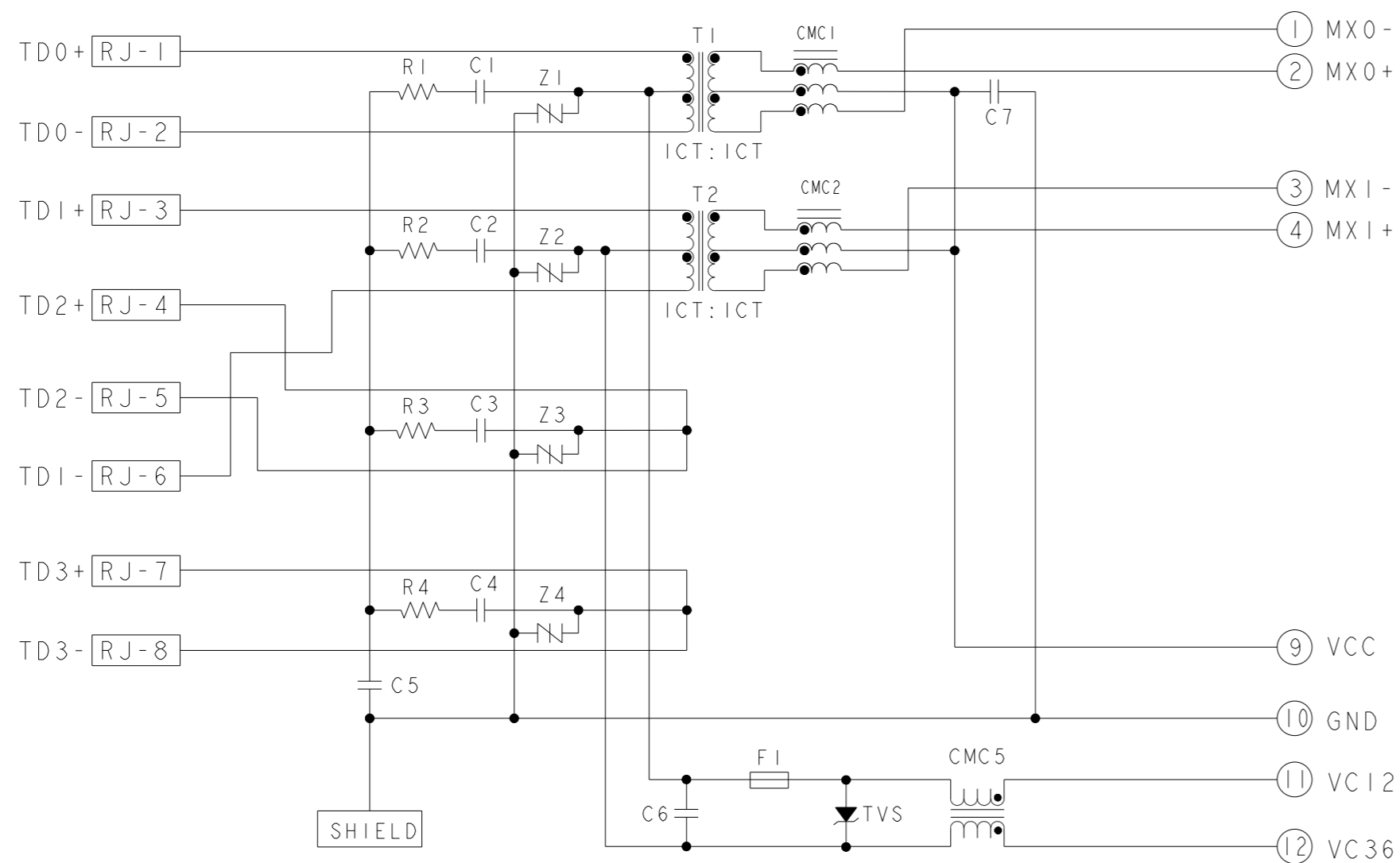
THIS DRAWING AND THE SUBJECT MATTER SHOWN THEREON ARE CONFIDENTIAL AND THE PROPERTY OF BEL/STEWART/TRP CONNECTOR AND SHALL NOT BE REPRODUCED, COPIED, OR USED IN ANY MANNER WITHOUT THE WRITTEN CONSENT OF TRP CONNECTOR.

PRODUCT MAY BE PROTECTED BY ONE OR MORE OF THE FOLLOWING US PATENTS:  
 5736910 5939955 6425781 6428361 6554638 6840817 7123117  
 7429195 7717749 7808751 6217391 6149050 7924130

REVISIONS					
P	LYR	DESCRIPTION	DATE	OWN	APVD
3		EC-1411035 COMPANY LOGO CHANGE	16JAN2015	RL	TY



S9H138DET 10/100 POE PLUS CIRCUIT  $\Delta\Delta$   
 TOP AND BOTTOM PORTS

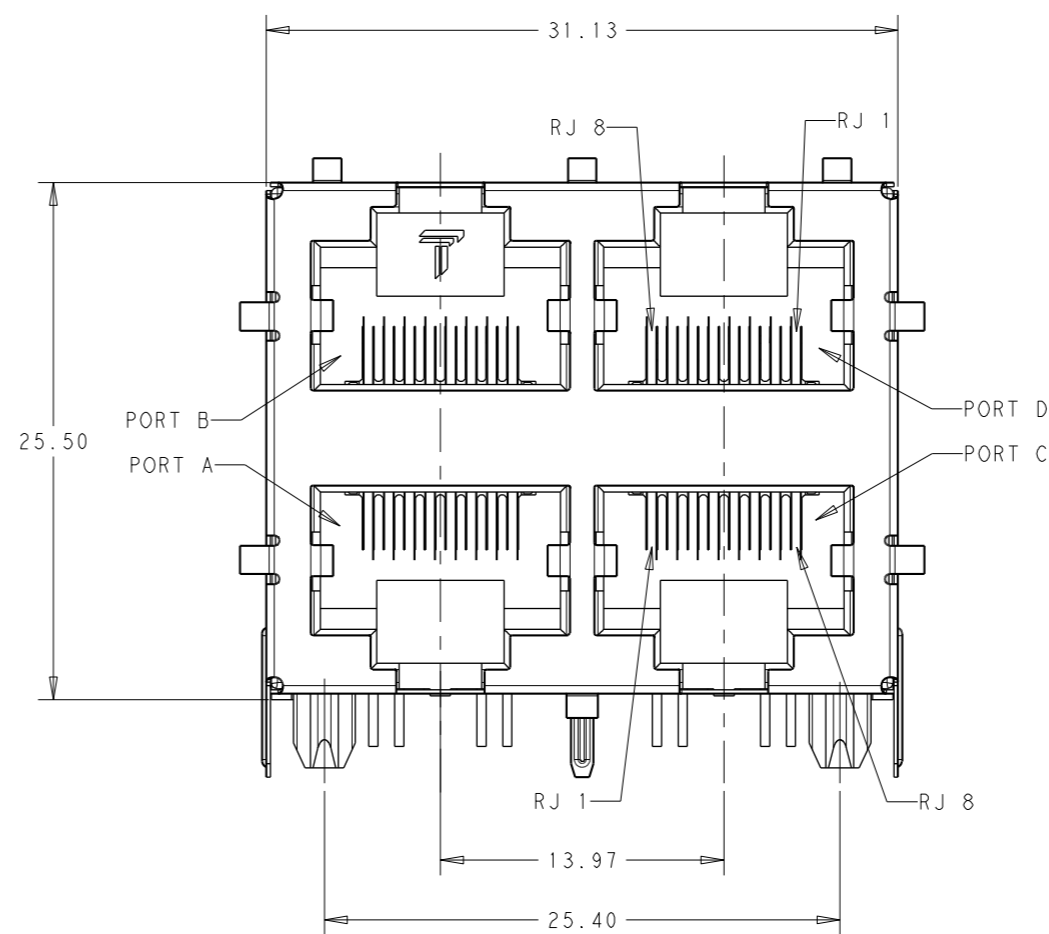
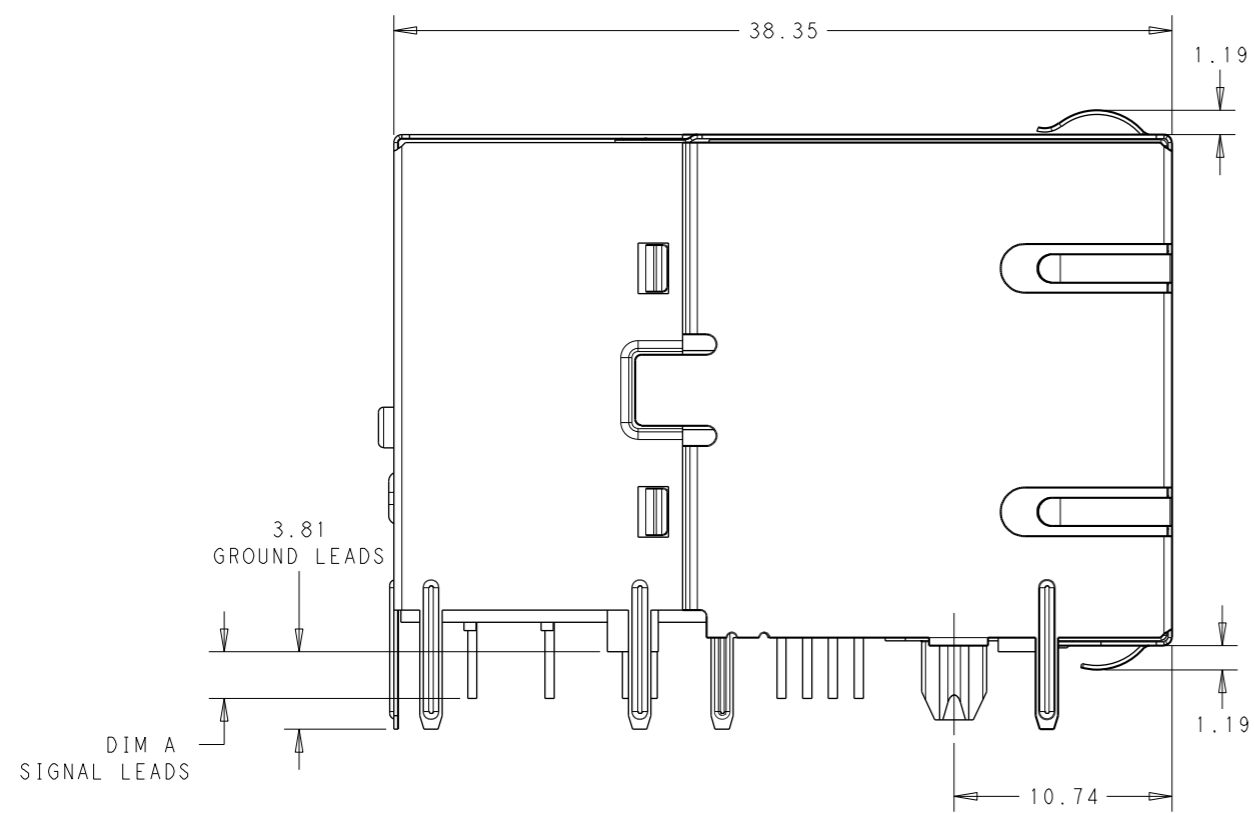
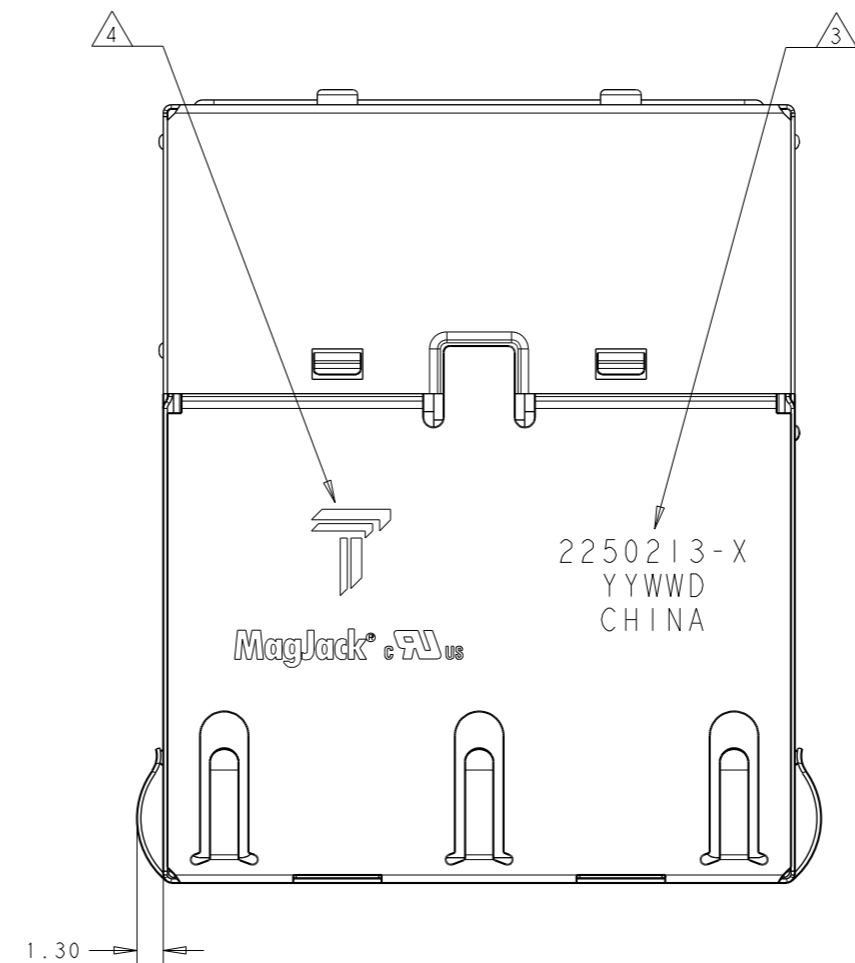


R1-R4 = 75 Ohms, 1/16 W, RESISTORS  
 C1-C4 = 22nF, 100V, CAPACITORS  
 C5 = 1000pF, 2kV, DECOUPLING CAPACITOR  
 C6 = 100nF, 100V, CAPACITOR  
 C7 = 10nF, 50V, CAPACITOR  
 F1 = 75V, 1.6A, FUSE.  
 (LITTELFUSE PART NUMBER: 045801.6DR)  
 TVS = 68V, 1mA  
 (ONSEMI PART NUMBER: P6SMB68AT3G  
 OR ST MICROELECTRONICS PART NUMBER: SM6T68A  
 OR LITTELFUSE PART NUMBER: P6SMB68A)  
 Z1 - Z4 = 65Vdr, 88V Vs, SIDACTORS  
 (LITTELFUSE PART NUMBER: P0720SCLRP)

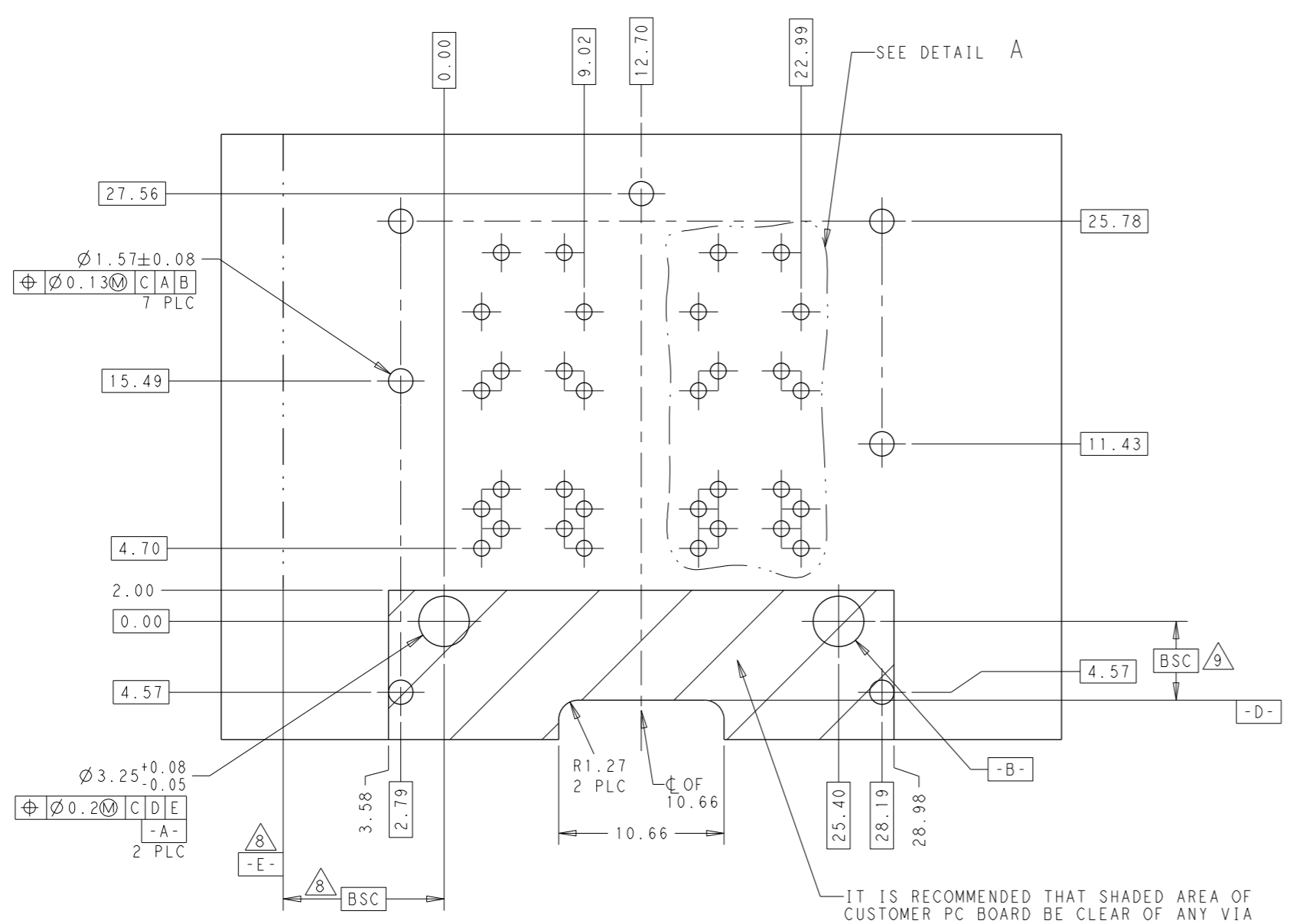
1. MATERIALS:  
 PLASTIC HOUSING: BLACK, THERMOPLASTIC FLAMMABILITY RATING UL 94V-0  
 SHIELD: BRASS, PREPLATED WITH 0.76um MIN SEMI-BRIGHT NICKEL,  
 POST DIPPED WITH 2.54um MIN SAC SOLDER OR PURE TIN SOLDER DIP  
 ON SOLDER TAILS.  
 CONTACTS: PHOSPHOR BRONZE, 1.27um MIN OVERALL NICKEL  
 UNDERPLATE WITH SELECT 1.27um MIN GOLD AT MATING INTERFACE AND  
 2.54um MIN MATTE TIN ON SOLDER TAILS.
2. MAGNETICS  
 APPLICATION: 10/100 BASE-T, PoE PLUS  
 IMPEDANCE: 100 OHMS  
 TURNS RATIO (CHIP:CABLE): TX = 1:1, RX = 1:1  
 OPEN CIRCUIT INDUCTANCE (OCL):  
 350uH MIN @100kHz, 0.1VRMS, 8mADC BIAS FROM -40°C TO 85°C, TX AND RX  
 120uH MIN @100kHz, 0.1VRMS, 19mADC BIAS FROM -40°C TO 85°C, TX AND RX  
 POE CURRENT: 600mADC MAX  
 PERFORMANCE @ 25°C:  
 INSERTION LOSS (IL): 1.1dB MAX FROM 0.5MHz TO 100MHz  
 RETURN LOSS (RL): 18dB MIN FROM 0.5MHz TO 30MHz  
 18-20LOG(f/30)dB MIN FROM 30.1MHz TO 60MHz  
 12dB MIN FROM 60.1MHz TO 80MHz  
 CROSSTALK ATTENUATION: 35dB MIN FROM 0.5MHz TO 40MHz  
 33-20LOG(f/50)dB MIN FROM 40.1MHz TO 100MHz  
 COMMON MODE REJECTION RATIO (CMRR): 30dB MIN FROM 0.5MHz TO 100MHz
3. PART NUMBER, DATE CODE AND COUNTRY OF ORIGIN ARE  
 LOCATED IN APPROXIMATE AREA SHOWN.  
 DATE CODE: YYWD WHERE "YY" IS YEAR, "WW" IS WORK WEEK, "D" IS DAY  
 OF WEEK, WITH SUNDAY = 1
4. TRP CONNECTOR LOGO AND AGENCY APPROVAL LOGO ARE  
 LOCATED IN APPROXIMATE AREA SHOWN.
5. OPERATING TEMP: FROM -40°C TO 85°C.
6. RJ45 CAVITY CONFORMS TO FCC RULES AND REGULATION PART 68 SUBPART F.
7. INDICATED MAGNETIC CONNECTIONS ARE SYMMETRICAL AND  
 SUPPORT AUTO-MD1/MDIX.
8. DATUM AND BASIC DIMENSION ESTABLISHED BY CUSTOMER.
9. BASIC DIMENSION ESTABLISHED BY CUSTOMER, BUT MAY NOT BE  
 GREATER THAN 5.08mm.
10. THE PARTS ARE RECOMMENDED FOR WAVE SOLDERING PROCESS,  
 PEAK TEMPERATURE 260°C MAX, 10 SECONDS MAX.

3.04	2250213-2
2.29	2250213-1
DIM A	PART NUMBER

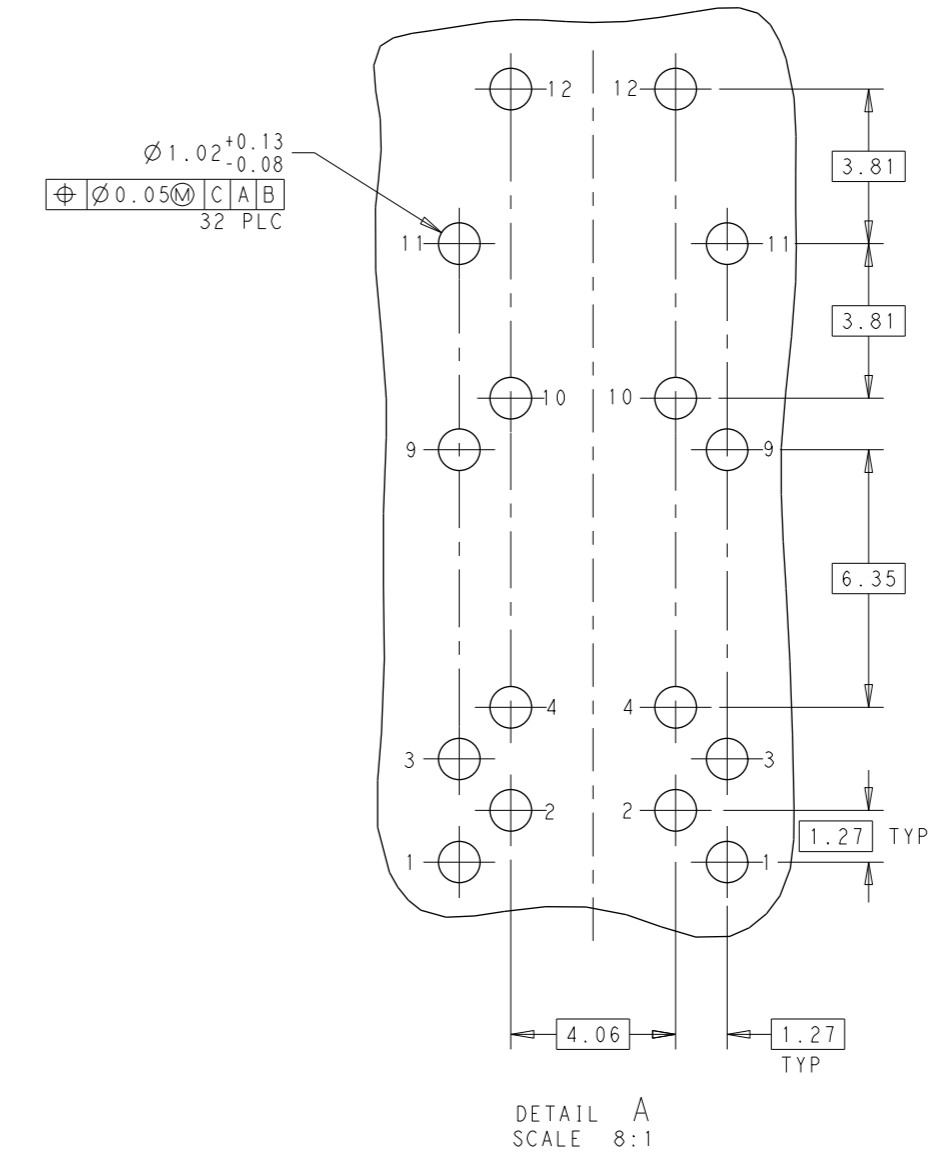
DIMENSIONS:		TOLERANCES UNLESS OTHERWISE SPECIFIED:		APPROVALS:		TRP CONNECTOR	
mm				OWN	CHK	DONGGUAN CHINA	
0 PLC		±0.25		RICK LI/TERRY LIN	18JUN2014		
1 PLC		±0.25		TOMMY REN	18JUN2014		
2 PLC		±0.25		TONY YUAN	18JUN2014		
3 PLC		±					
4 PLC		±		MODEL NAME		DESC	
ANGLES		±		MAGJACK		2X2, S9H138DET 10/100	
APPLICATION SPEC				STACK PoE PLUS		PoE PLUS CIRCUIT	
PRODUCT SPEC				CUSTOMER DRAWING		SIZE	RESTRICTED TO
						A1	-
						SCALE	SHEET
						NTS	1 OF 3
						REV	3



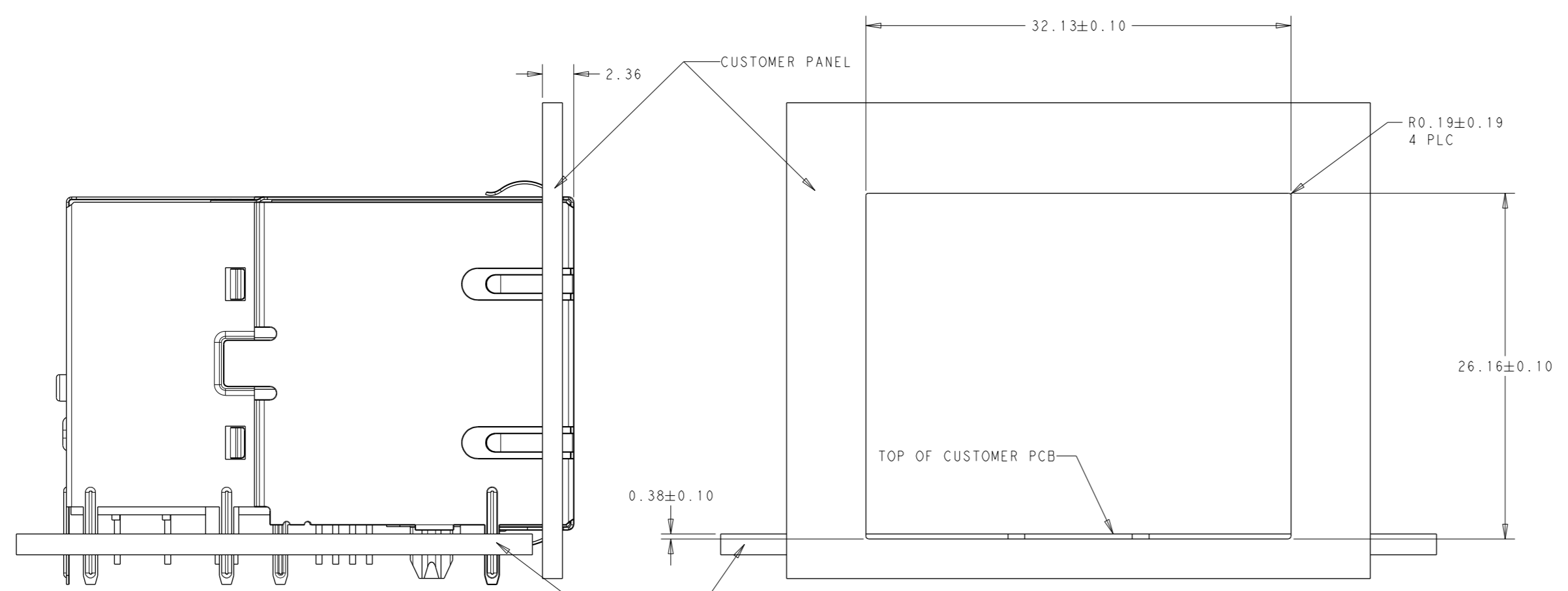
THIS DRAWING IS A CONTROLLED DOCUMENT.		DNW: 18 JUN 2014	 <b>TRP CONNECTOR</b> a bel group	DONGGUAN CHINA	
DIMENSIONS: mm		CHK: TOMMY REN 18 JUN 2014		APPR: TONY YUAN 18 JUN 2014	
TOLERANCES UNLESS OTHERWISE SPECIFIED:		MODEL NAME: MAGJACK		DESC: 2X2, S9H138DET 10/100 PoE PLUS CIRCUIT	
0 PLC	±0.25	PRODUCT SPEC: STACK PoE PLUS		RESTRICTED TO: -	
1 PLC	±0.25	APPLICATION SPEC: -		SCALE: NTS	
2 PLC	±0.25	CUSTOMER DRAWING		SHEET 2 OF 3	
3 PLC	±	SIZE: A1		REV 3	
4 PLC	±	CAGE CODE: C=2250213			
ANGLES	±	DRAWING NO: 2250213			



RECOMMENDED PCB LAYOUT  
COMPONENT SIDE VIEW

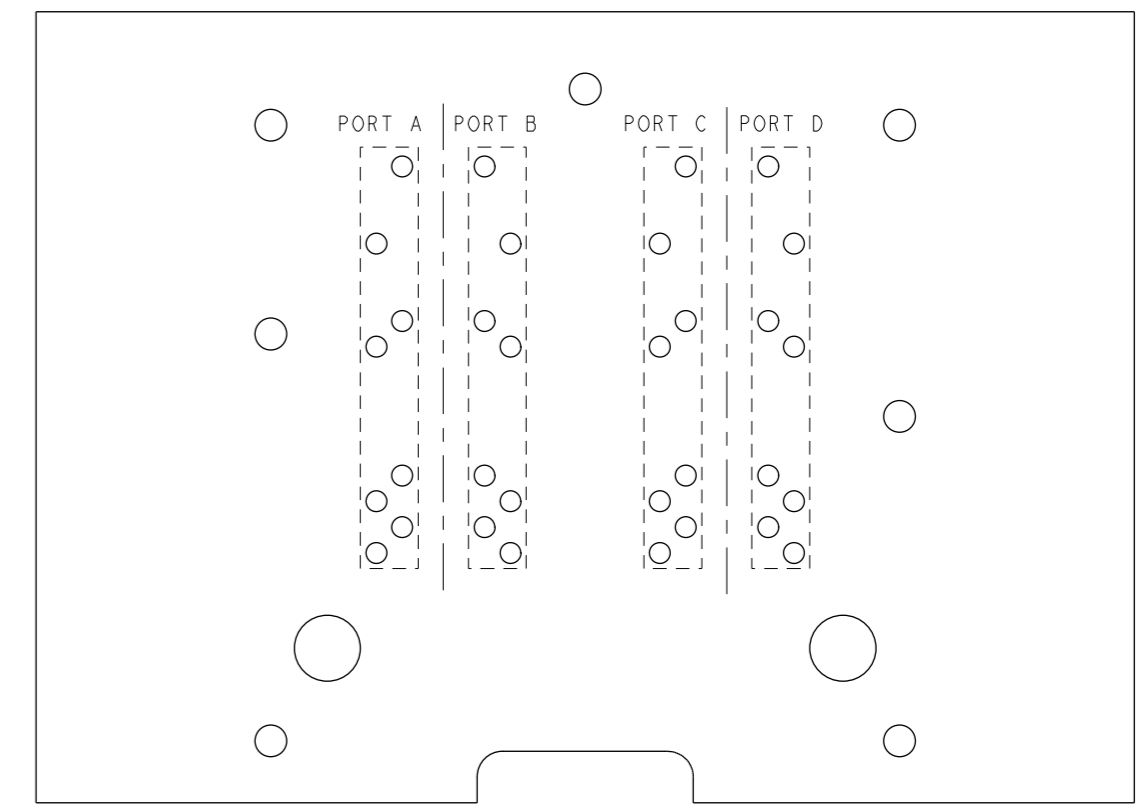


DETAIL A  
SCALE 8:1




SHOWN WITH PANEL AND  
CUSTOMER PCB ASSEMBLY

SUGGESTED PANEL CUTOUT DIMENSIONS



PORT ASSIGNMENT  
COMPONENT SIDE VIEW

THIS DRAWING IS A CONTROLLED DOCUMENT.		DNW RICK LI/TERRY LIN 18 JUN 2014	 <b>trp</b> CONNECTOR DONGGUAN CHINA
DIMENSIONS: mm		CHK TOMMY REN 18 JUN 2014	
TOLERANCES UNLESS OTHERWISE SPECIFIED:		APPV TONY YUAN 18 JUN 2014	DESC 2X2, S9H138DET 10/100 PoE PLUS CIRCUIT
0 PLC ±0.25 1 PLC ±0.25 2 PLC ±0.25 3 PLC ± 4 PLC ± ANGLES ± APPLICATION SPEC ±		MODEL NAME MAGJACK	SIZE A1
PRODUCT SPEC		STACK PoE PLUS	CAGE CODE 2250213
		CUSTOMER DRAWING	RESTRICTED TO - SCALE NTS SHEET 3 OF 3 REV 3