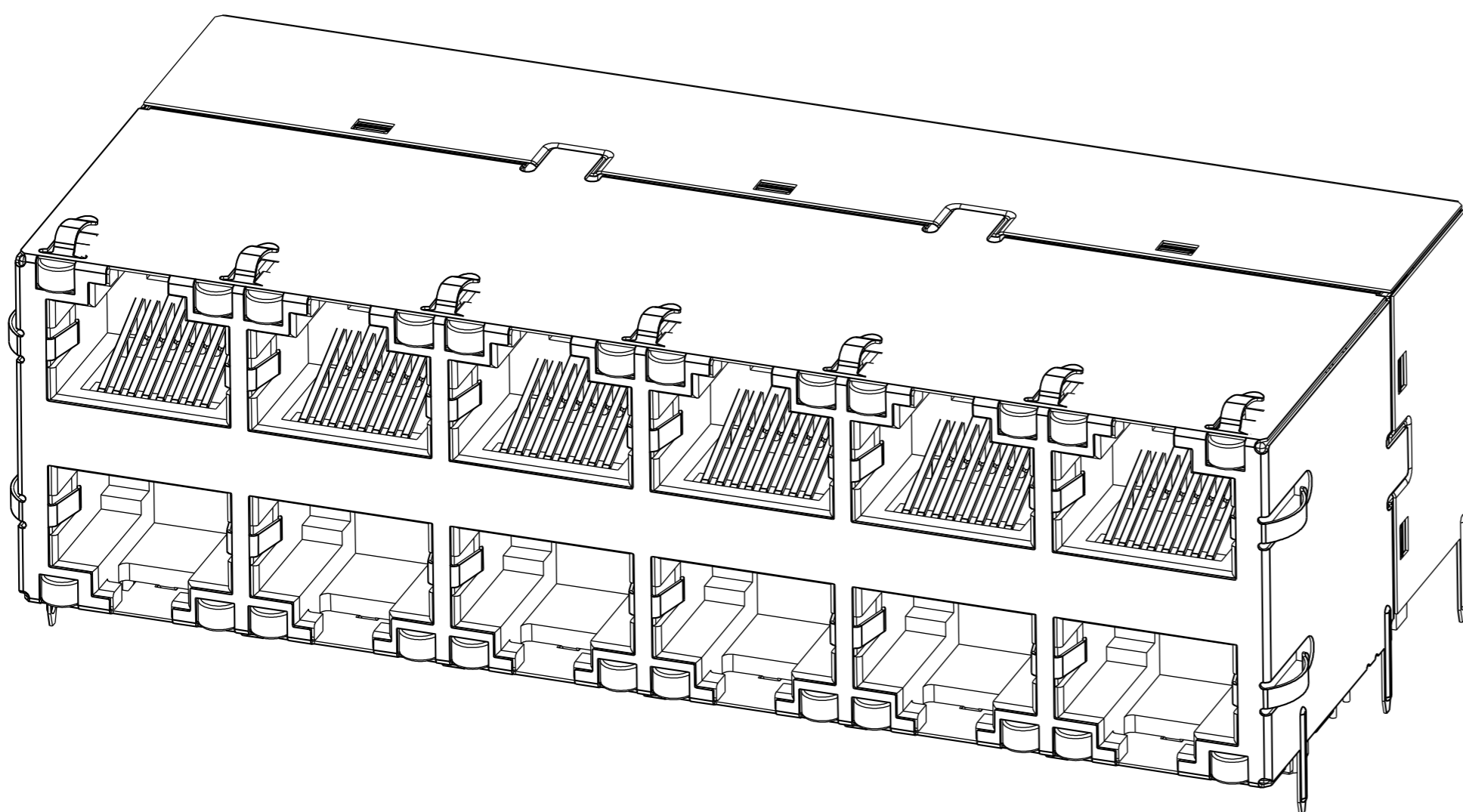


THIS DRAWING AND THE SUBJECT MATTER SHOWN THEREON ARE CONFIDENTIAL AND THE PROPERTY OF BEL/STEWART/TRP CONNECTOR AND SHALL NOT BE REPRODUCED, COPIED, OR USED IN ANY MANNER WITHOUT THE WRITTEN CONSENT OF TRP CONNECTOR.

PRODUCT MAY BE PROTECTED BY ONE OR MORE OF THE FOLLOWING US PATENTS:
 5736910 5939955 6425781 6428361 6554638 6840817 7123117
 7429195 7717749 7808751 6217391 6149050 7924130

REVISIONS				
P	LYR	DESCRIPTION	DATE	APPD
4		EC-1411035 COMPANY LOGO CHANGE	13JAN2015	RL TY



1. MATERIALS:
 PLASTIC HOUSING: BLACK, THERMOPLASTIC FLAMMABILITY RATING UL 94V-0
 SHIELD: BRASS, PREPLATED WITH 0.76um MIN SEMI-BRIGHT NICKEL,
 POST DIPPED WITH 2.54um MIN SAC SOLDER OR PURE TIN SOLDER ON SOLDER TAILS
 CONTACTS: PHOSPHOR BRONZE, 1.27um MIN OVERALL NICKEL
 UNDERPLATE WITH SELECT 1.27um MIN GOLD AT MATING INTERFACE AND
 2.54um MIN MATTE TIN ON SOLDER TAILS.
 LED: DIFFUSED EPOXY LENS, CARBON STEEL LEAD FRAME TAILS OF LED
 ARE PREPLATED WITH 2.03um MIN SILVER OVER 1.02um MIN NICKEL
 UNDERPLATE OVER 1.02um MIN COPPER UNDERPLATE. POST-PLATED WITH
 2.54um MIN MATTE TIN AND/OR SAC SOLDER DIP OR PURE TIN SOLDER DIP

2. MAGNETICS
 APPLICATION: 10/100/1000 BASE-T, ULTRA PoE PLUS
 IMPEDANCE: 100 OHMS
 TURNS RATIO (CHIP:CABLE): 1:1 ALL FOUR PAIRS
 OPEN CIRCUIT INDUCTANCE (OCL): ALL CHANNELS
 350uH MIN @ 100KHz, 0.1 VRMS WITH 8mA DC BIAS FROM 0°C TO 70°C,
 120uH MIN @ 100KHz, 0.1 VRMS WITH 19mA DC BIAS FROM 0°C TO 70°C
 ALL FOUR PAIRS BI-DIRECTIONAL
 POE CURRENT: 600mA DC MAX
 PERFORMANCE @ 25°C:
 INSERTION LOSS (IL): 1.1dB MAX FROM 0.5MHz TO 100MHz
 RETURN LOSS (RL): 18dB MIN FROM 0.5MHz TO 40MHz
 12-20LOG(f/80)dB MIN FROM 40.1MHz TO 100MHz
 CROSSTALK ATTENUATION: 35dB MIN FROM 0.5MHz TO 40MHz
 33-20LOG(f/50)dB MIN FROM 40.1MHz TO 100MHz
 COMMON MODE REJECTION RATIO (CMRR): 30dB MIN FROM 0.5MHz TO 100MHz
 ISOLATION VOLTAGE: 2250VDC(MAX) FOR 60 SECONDS WITH A RISE TIME OF
 500V/SEC AND WITH ALL PORTS CONNECTED.

3. PART NUMBER, DATE CODE AND COUNTRY OF ORIGIN ARE LOCATED
 IN APPROXIMATE AREA SHOWN. DATE CODE: "YY" IS YEAR, "WW" IS
 WORK WEEK, "D" IS DAY OF WEEK, WITH SUNDAY=1

4. TRP CONNECTOR LOGO AND AGENCY APPROVAL LOGO ARE
 LOCATED IN APPROXIMATE AREA SHOWN.

5. OPERATING TEMP: FROM 0°C TO +70°C.

6. RJ45 CAVITY CONFORMS TO FCC RULES AND REGULATION PART 68 SUBPART F.

7. INDICATED MAGNETIC CONNECTIONS ARE SYMMETRICAL AND
 SUPPORT AUTO-MDI/MDIX.

8. DATUM AND BASIC DIMENSION ESTABLISHED BY CUSTOMER.

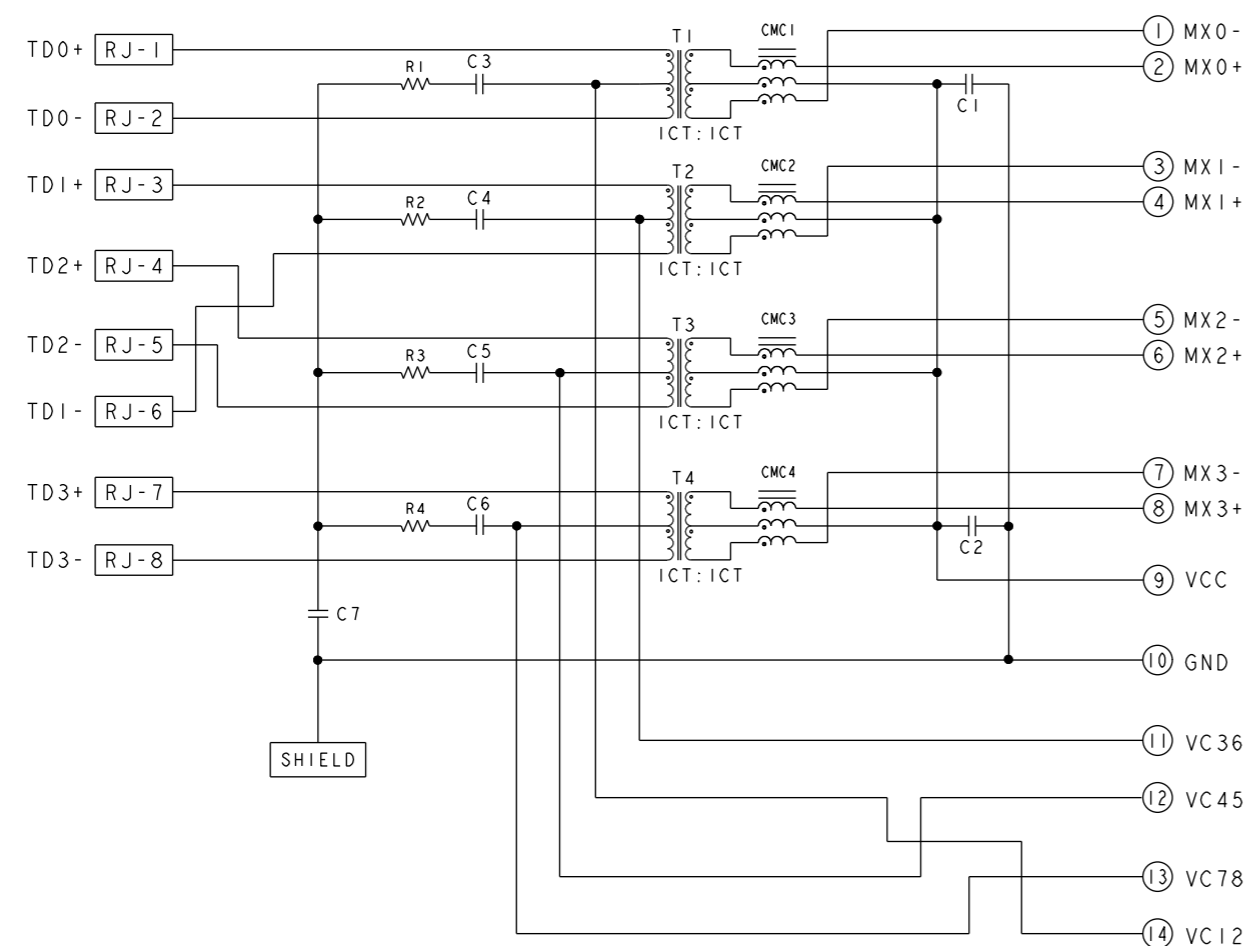
9. BASIC DIMENSION ESTABLISHED BY CUSTOMER, BUT MAY NOT BE
 GREATER THAN 5.08mm.

10. LEDS ARE DRIVEN WITH CONSTANT CURRENT AT APPROX 20mA
 LED COLOR: DOMINANT WAVELENGTH (λD): GREEN 568 nm TYP. @ IF=20mA
 FORWARD VOLTAGE (VF): GREEN 2.2V TYP. @ IF=20mA
 DOMINANT WAVELENGTH (λD): ORANGE 605 nm TYP. @ IF=20mA
 FORWARD VOLTAGE (VF): ORANGE 2.1V TYP. @ IF=20mA

11. THE PARTS ARE RECOMMENDED FOR WAVE SOLDERING PROCESS,
 PEAK TEMPERATURE 260°C MAX, 10 SECONDS MAX.

S9HG154P1 GIGABIT UPoE PLUS CIRCUIT

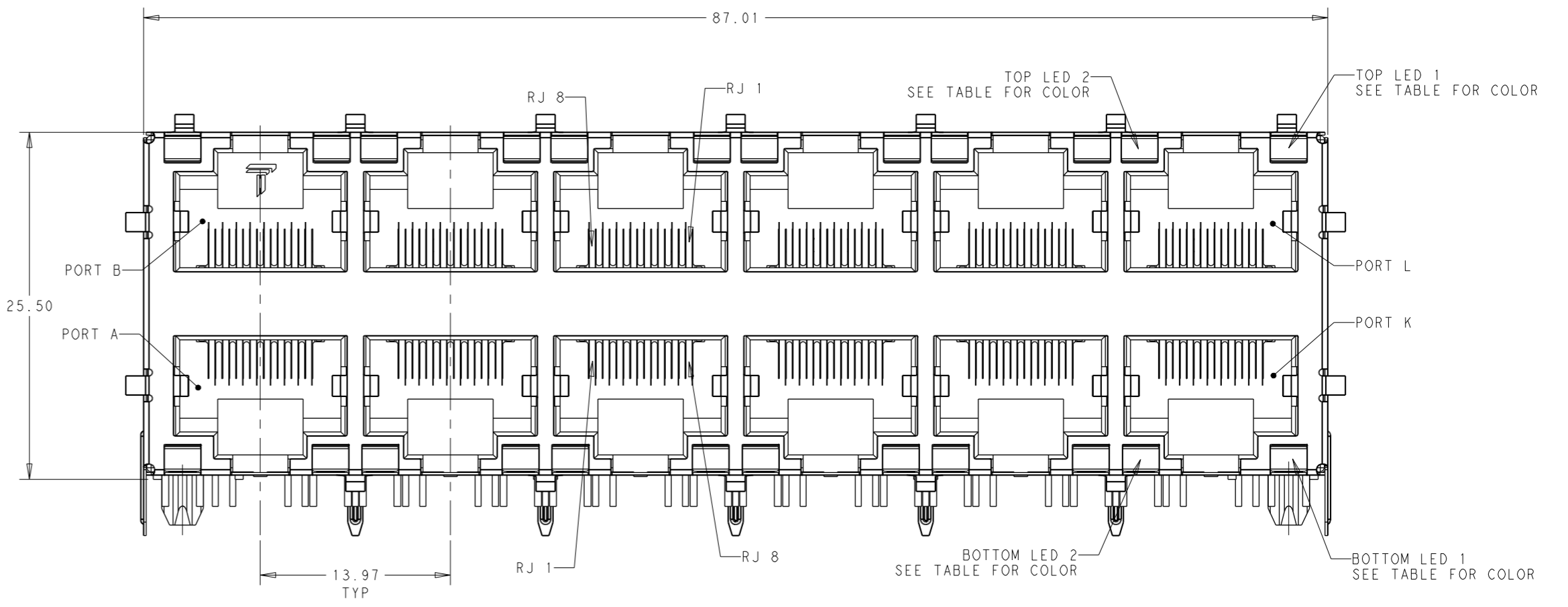
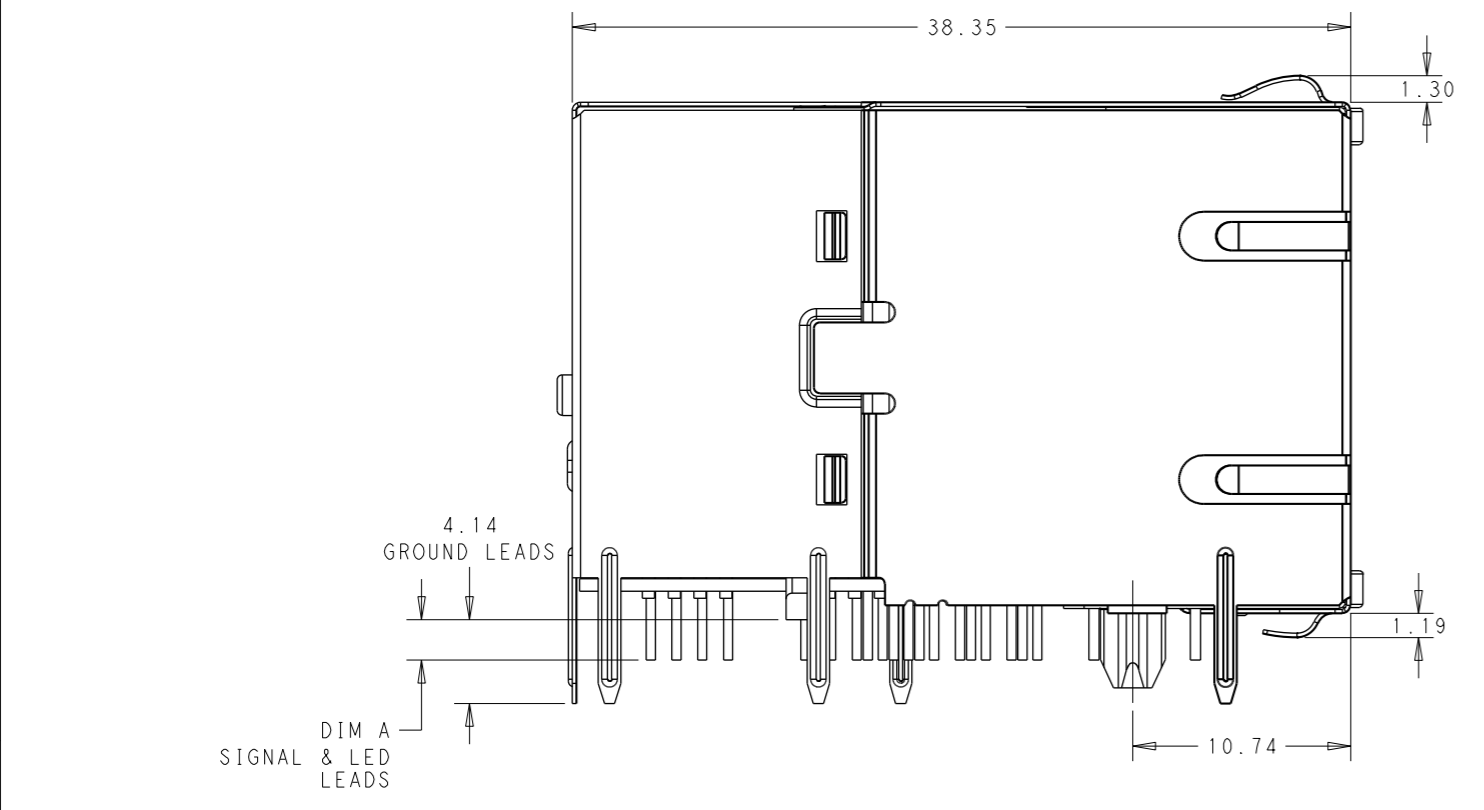
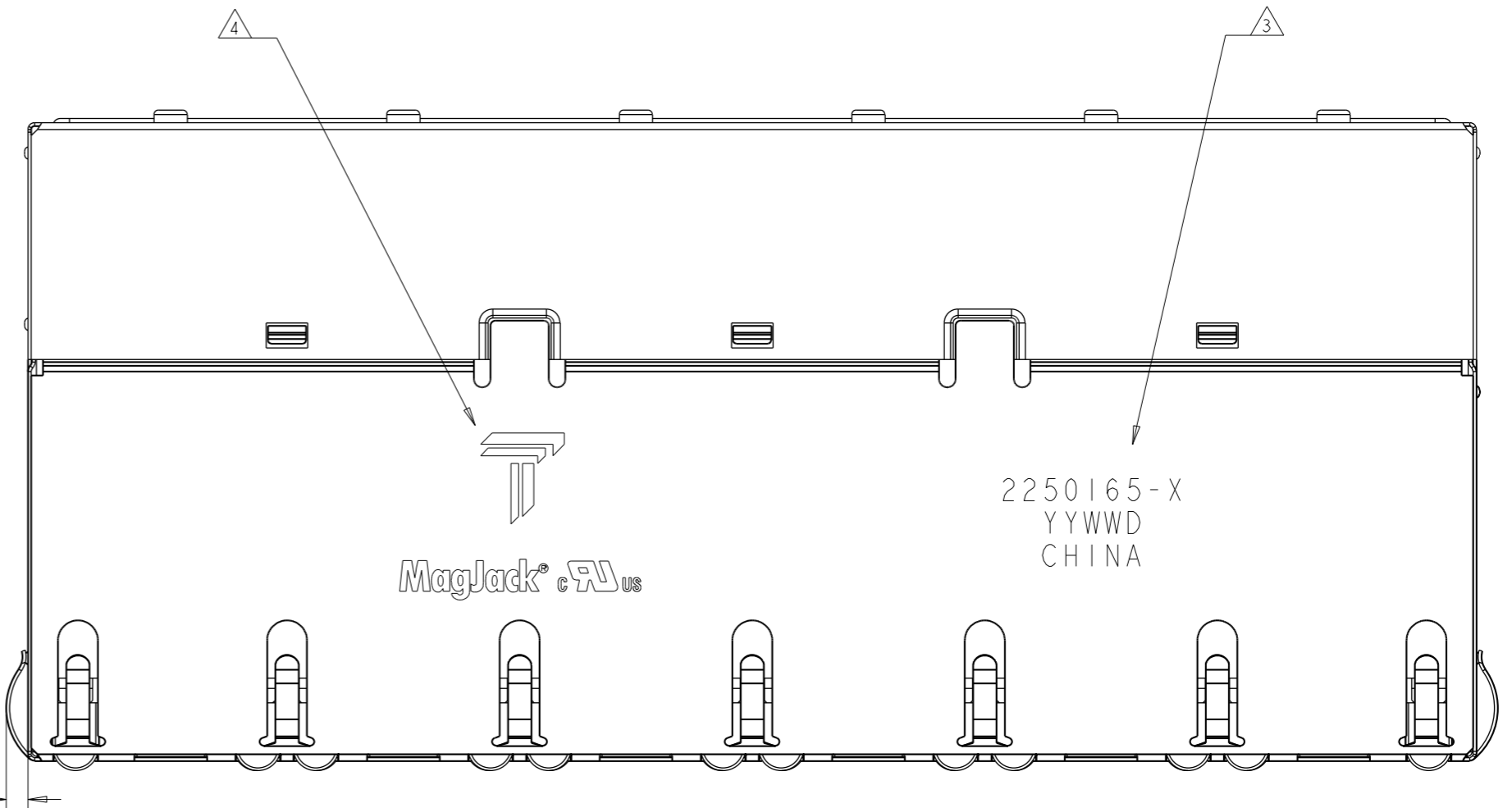
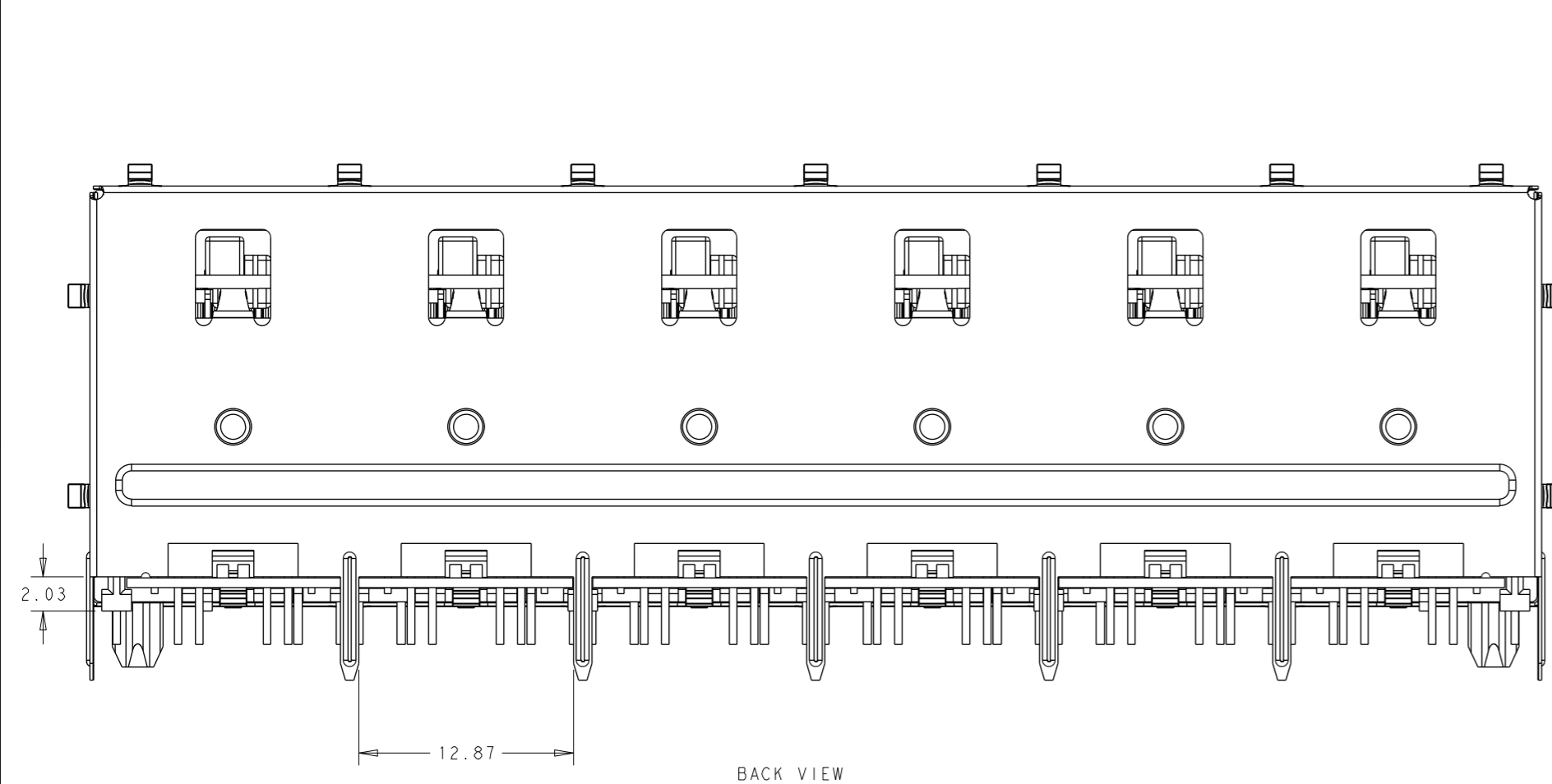
TOP AND BOTTOM PORTS




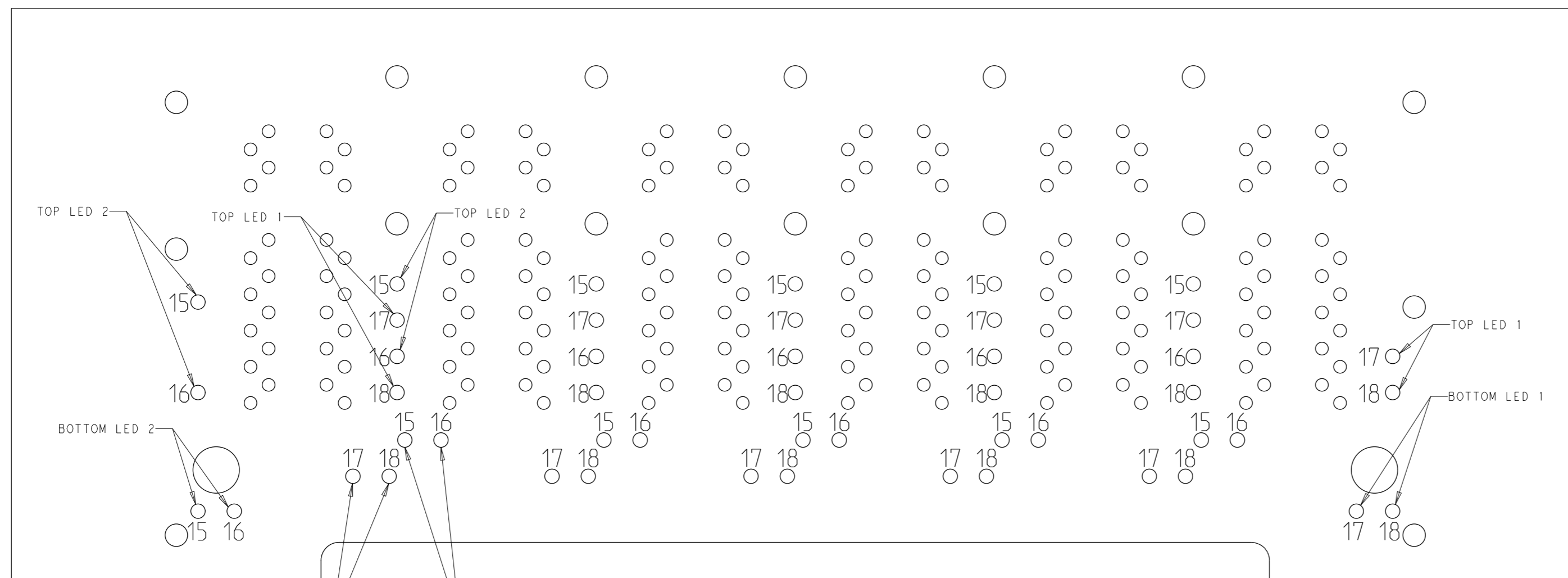
C1-C2 = 10nF, 50V, X7R, CAPACITORS
 C3-C6 = 22nF, 100V, CAPACITORS
 C7 = 1000pF, 2kV, CAPACITOR
 R1-R4 = 75 Ohms, 1/16W, RESISTORS

3.56	GRN/ORA	GRN/ORA	GRN/ORA	GRN/ORA	2250165-7
DIM A	BOTTOM LED 2	BOTTOM LED 1	TOP LED 2	TOP LED 1	PART NUMBER

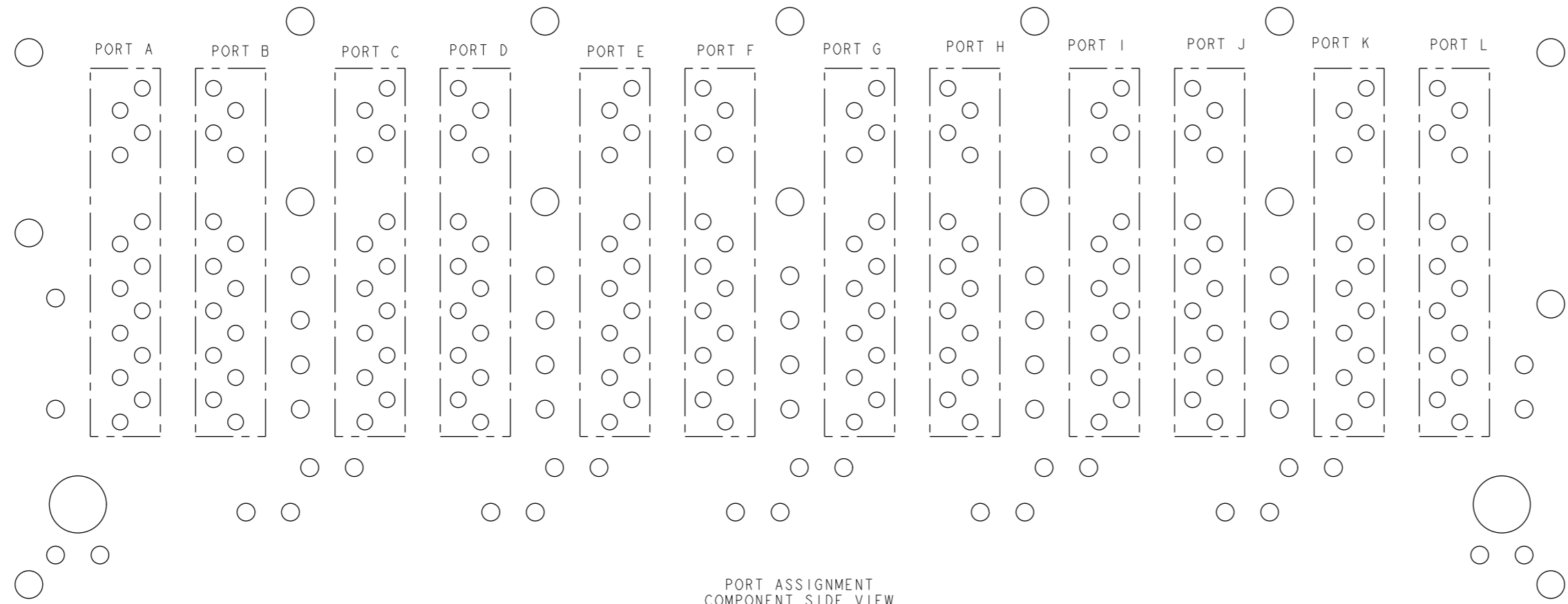
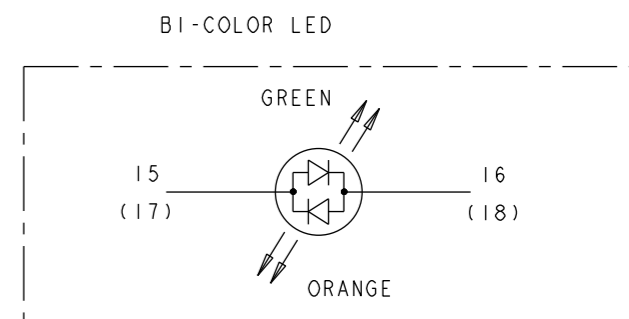
THIS DRAWING IS A CONTROLLED DOCUMENT.		DWN: 11MAR2014		DONGGUAN CHINA	
DIMENSIONS: mm		CHK: TOMMY REN 11MAR2014		trp CONNECTOR	
TOLERANCES UNLESS OTHERWISE SPECIFIED:		APPD: TONY YUAN 11MAR2014		DESC: 2X6, GIGABIT S9HG154P1 UPoE CIRCUIT, WITH LED	
0 PLC ±0.25		MODEL NAME: MAGJACK STACK 4PPoE		SIZE: A1	
1 PLC ±0.25		PRODUCT SPEC: CUSTOMER DRAWING		SCALE: NTS	
2 PLC ±0.25		APPLICATION SPEC: -		SHEET 1 OF 4	
3 PLC ±		SCALE: NTS		REV 4	
4 PLC ±		SCALE: NTS		REV 4	
ANGLES: ±		SCALE: NTS		REV 4	
APPLICATION SPEC: -		SCALE: NTS		REV 4	



THIS DRAWING IS A CONTROLLED DOCUMENT.		DWN: TOMMY REN/11MAR2014		 TRP CONNECTOR DONGGUAN CHINA
DIMENSIONS: mm		CHK: TOMMY REN/11MAR2014		
TOLERANCES UNLESS OTHERWISE SPECIFIED:		APPV: TONY YUAN/11MAR2014		MODEL NAME: MAGJACK STACK 4PPoE DESC: 2X6, GIGABIT S9HG154P1 UPoE CIRCUIT, WITH LED
0 PLC ±0.25 1 PLC ±0.25 2 PLC ±0.25 3 PLC ±0.25 4 PLC ± ANGLES ± APPLICATION SPEC ±		MODEL NAME: MAGJACK STACK 4PPoE SIZE: A1 CAGE CODE: 2250165 DRAWING NO: 2250165		
PRODUCT SPEC		CUSTOMER DRAWING		RESTRICTED TO
		SCALE: NTS		SHEET 2 OF 4
				REV 4



LED HOLE DESIGNATIONS
VIEWED FROM COMPONENT SIDE



PORT ASSIGNMENT
COMPONENT SIDE VIEW

THIS DRAWING IS A CONTROLLED DOCUMENT.		DWN: TOMMY REN/TERRY LIN 11MAR2014		 trp CONNECTOR <small>a bel group</small> DONGGUAN CHINA
DIMENSIONS: mm		CHK: TOMMY REN 11MAR2014		
TOLERANCES UNLESS OTHERWISE SPECIFIED:		APPV: TONY YUAN 11MAR2014		DESC: 2X6, GIGABIT S9HG154P1 UPoE CIRCUIT, WITH LED
0 PLC ±0.25 1 PLC ±0.25 2 PLC ±0.25 3 PLC ± 4 PLC ± ANGLES ± APPLICATION SPEC ±		MODEL NAME: MAGJACK STACK 4PPoE		SIZE: A1 CAGE CODE: C=2250165 DRAWING NO:
PRODUCT SPEC		CUSTOMER DRAWING		RESTRICTED TO: SCALE: NTS SHEET: 4 of 4 REV: 4