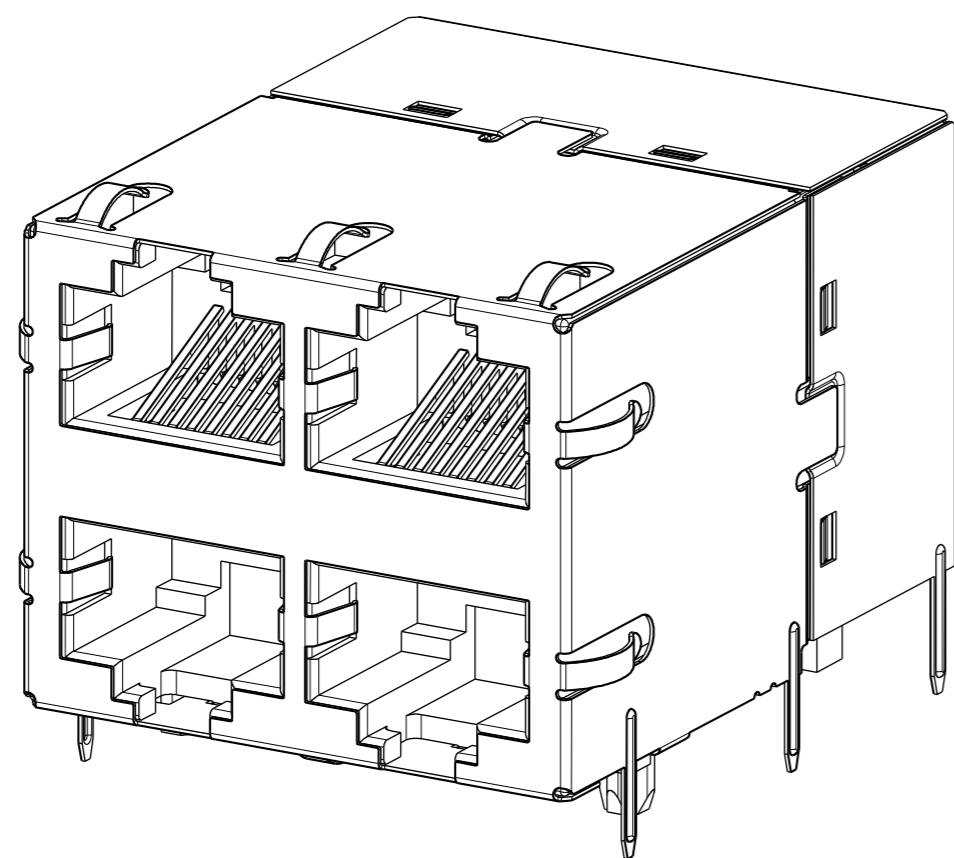


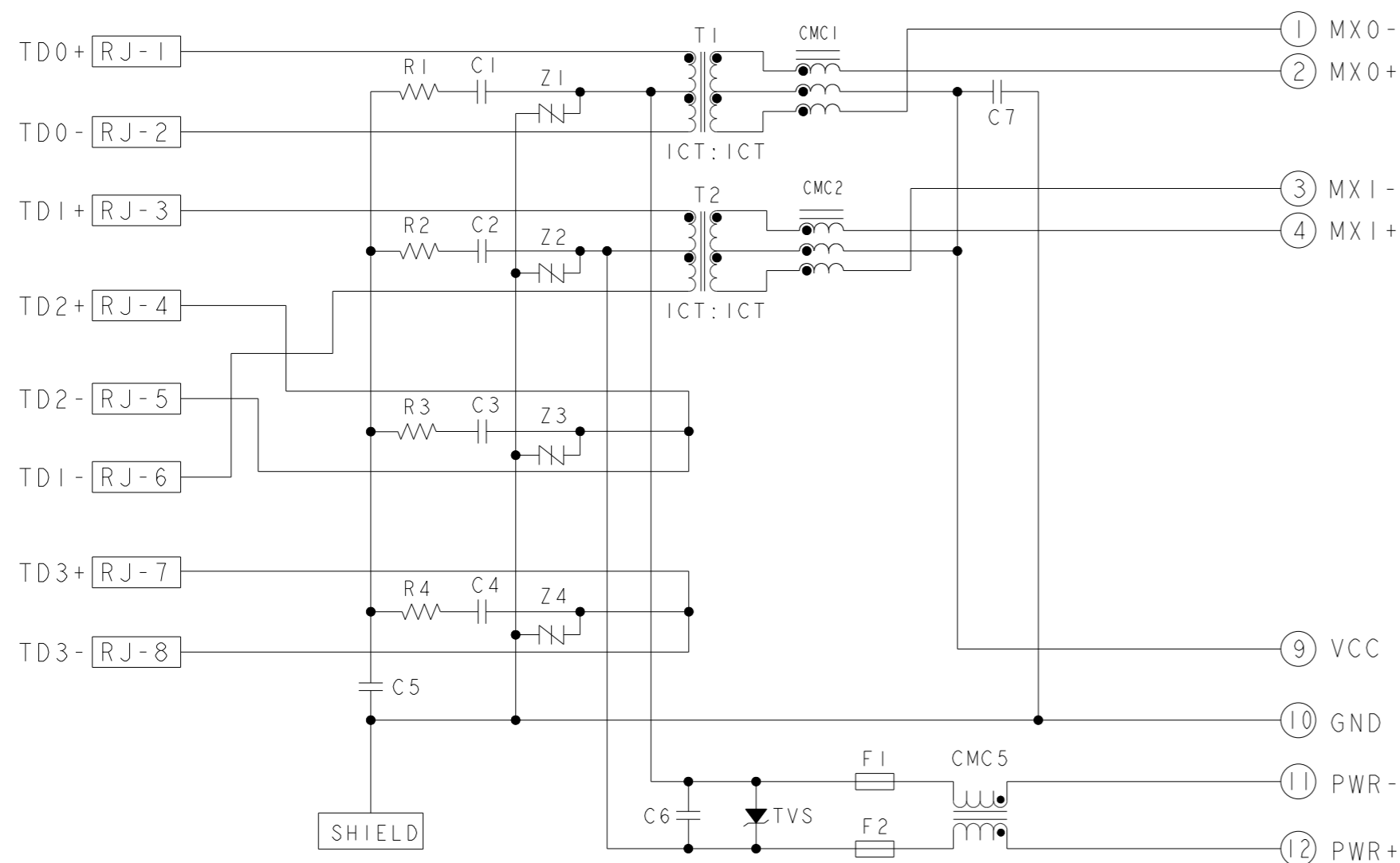
THIS DRAWING AND THE SUBJECT MATTER SHOWN THEREON ARE CONFIDENTIAL AND THE PROPERTY OF BEL/STEWART/TRP CONNECTOR AND SHALL NOT BE REPRODUCED, COPIED, OR USED IN ANY MANNER WITHOUT THE WRITTEN CONSENT OF TRP CONNECTOR.

PRODUCT MAY BE PROTECTED BY ONE OR MORE OF THE FOLLOWING US PATENTS:
 5736910 5939955 6425781 6428361 6554638 6840817 7123117
 7429195 7717749 7808751 6217391 6149050 7924130

REVISIONS				
P	LYR	DESCRIPTION	DATE	APPV
4		EC-1411035 COMPANY LOGO CHANGE	05JAN2013	RL TY



S9H136DET 10/100 POE PLUS CIRCUIT
 TOP AND BOTTOM PORTS

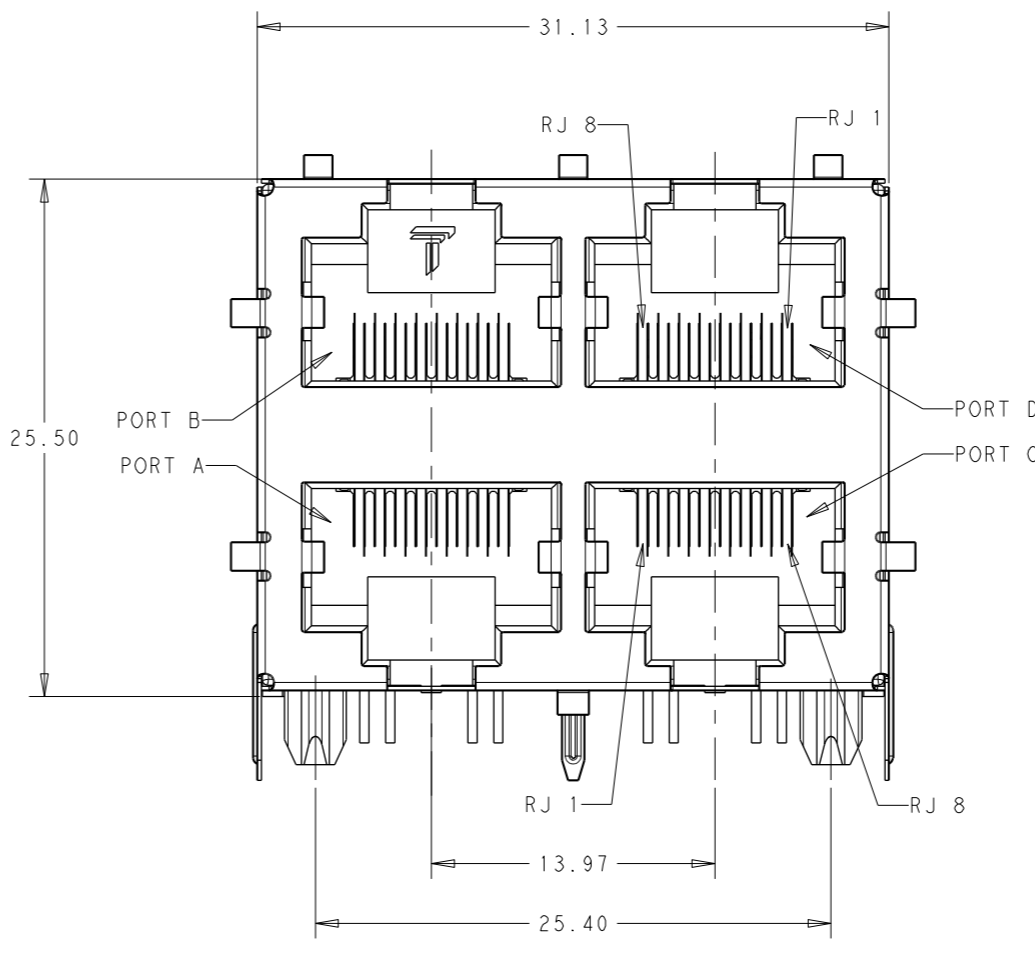
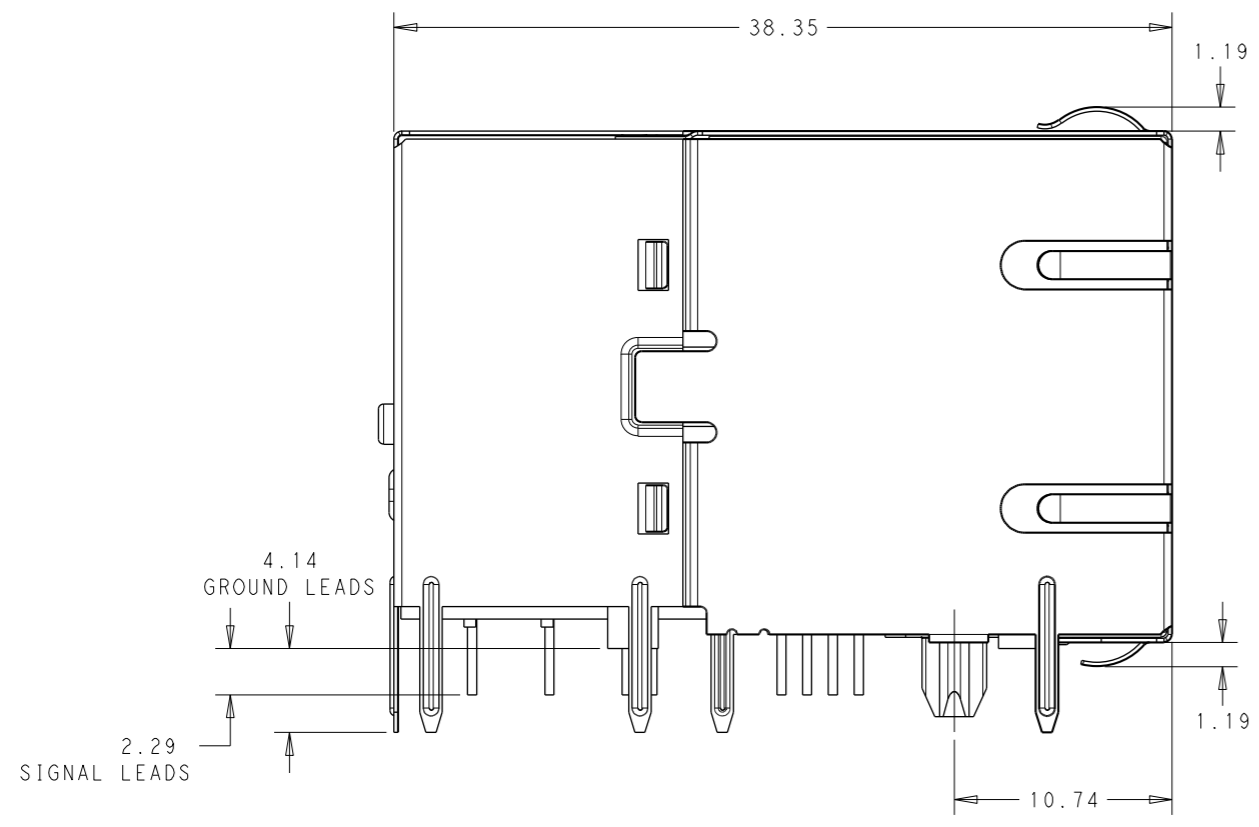
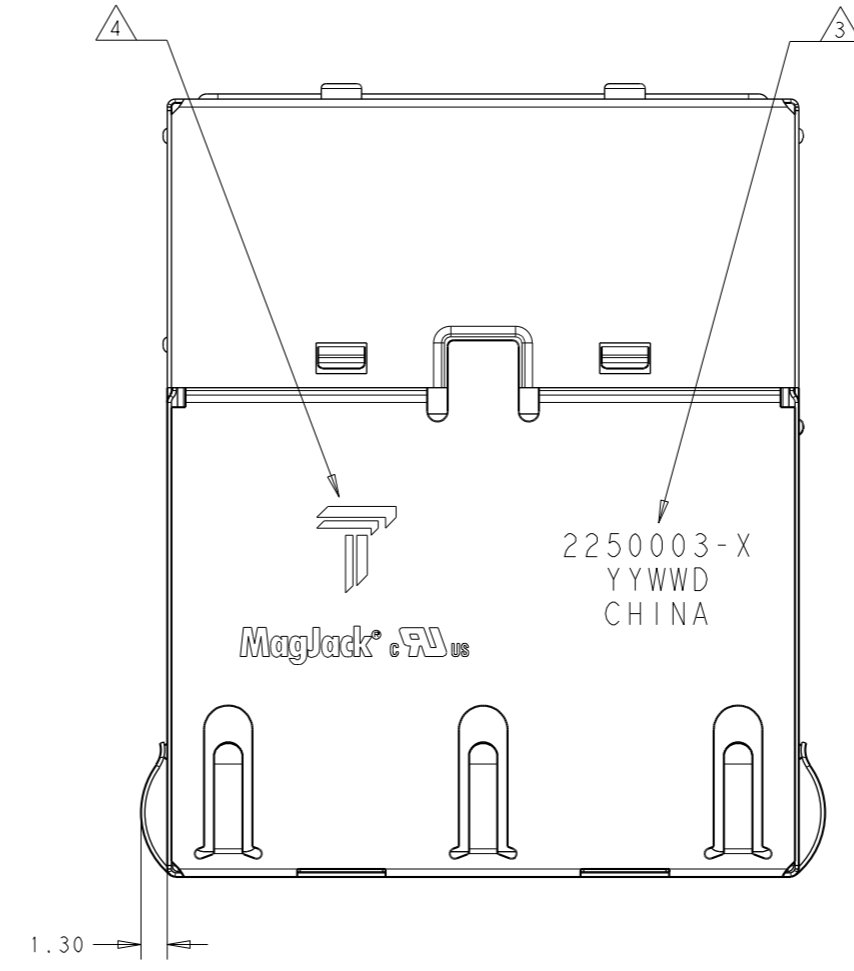



R1-R4 = 75 Ohms, 1/16 W, RESISTORS
 C1-C4 = 22nF, 100V, CAPACITORS
 C5 = 1000pF, 2kV, DECOUPLING CAPACITOR
 C6 = 100nF, 100V, CAPACITOR
 C7 = 10nF, 50V, CAPACITOR
 F1-F2 = 63V, 1.5A, FUSES
 TVS = 68V, 1mA
 Z1-Z4 = 65Vdrn, 88V Vs SIDACTOR

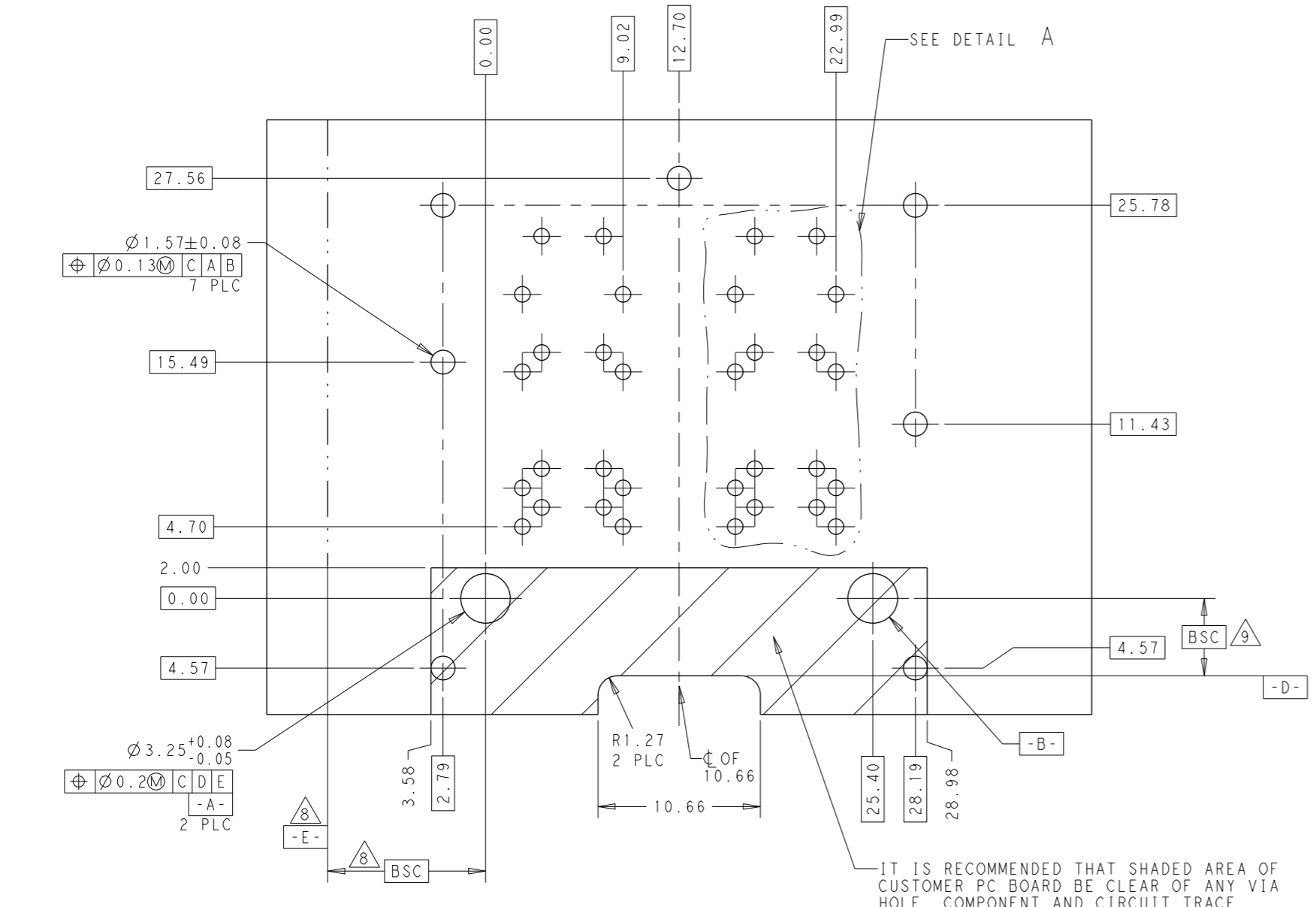
1. MATERIALS:
 PLASTIC HOUSING: BLACK, THERMOPLASTIC FLAMMABILITY RATING UL 94V-0
 SHIELD: BRASS, PREPLATED WITH 0.76um MIN SEMI-BRIGHT NICKEL,
 POST DIPPED WITH 2.54um MIN SAC SOLDER OR PURE TIN SOLDER DIP
 ON SOLDER TAILS.
 CONTACTS: PHOSPHOR BRONZE, 1.27um MIN OVERALL NICKEL
 UNDERPLATE WITH SELECT 1.27um MIN GOLD OR WITH SELECT 0.05um MIN
 GOLD OVER 0.76um MIN PALLADIUM-NICKEL AT MATING INTERFACE AND
 2.54um MIN MATTE TIN ON SOLDER TAILS.
2. MAGNETICS
 APPLICATION: 10/100 BASE-T, PoE PLUS
 IMPEDANCE: 100 OHMS
 TURNS RATIO (CHIP:CABLE): TX = 1:1, RX = 1:1
 OPEN CIRCUIT INDUCTANCE (OCL):
 350uH MIN @100kHz, 0.1VRMS, 8mADC BIAS FROM -40°C TO 85°C, TX AND RX
 120uH MIN @100kHz, 0.1VRMS, 19mADC BIAS FROM -40°C TO 85°C, TX AND RX
 POE CURRENT: 600mADC MAX
 PERFORMANCE @ 25°C:
 INSERTION LOSS (IL): 1.1dB MAX FROM 0.5MHz TO 100MHz
 RETURN LOSS (RL): 18dB MIN FROM 0.5MHz TO 30MHz
 18-20LOG(f/30)dB MIN FROM 30.1MHz TO 60MHz
 12dB MIN FROM 60.1MHz TO 80MHz
 CROSSTALK ATTENUATION: 35dB MIN FROM 0.5MHz TO 40MHz
 33-20LOG(f/50)dB MIN FROM 40.1MHz TO 100MHz
 COMMON MODE REJECTION RATIO (CMRR): 30dB MIN FROM 0.5MHz TO 100MHz
3. PART NUMBER, DATE CODE AND COUNTRY OF ORIGIN ARE
 LOCATED IN APPROXIMATE AREA SHOWN.
 DATE CODE: YYWW WHERE "YY" IS YEAR, "WW" IS WORK WEEK, "D" IS DAY
 OF WEEK, WITH SUNDAY = 1
4. TRP CONNECTOR LOGO AND AGENCY APPROVAL LOGO ARE
 LOCATED IN APPROXIMATE AREA SHOWN.
5. OPERATING TEMP: FROM -40°C TO 85°C.
6. RJ45 CAVITY CONFORMS TO FCC RULES AND REGULATION PART 68 SUBPART F.
7. INDICATED MAGNETIC CONNECTIONS ARE SYMMETRICAL AND
 SUPPORT AUTO-MDI/MDIX.
8. DATUM AND BASIC DIMENSION ESTABLISHED BY CUSTOMER.
9. BASIC DIMENSION ESTABLISHED BY CUSTOMER, BUT MAY NOT BE
 GREATER THAN 5.08mm.
10. THE PARTS ARE RECOMMENDED FOR WAVE SOLDERING PROCESS,
 PEAK TEMPERATURE 260°C MAX, 10 SECONDS MAX.

2250003-1
 PART NUMBER

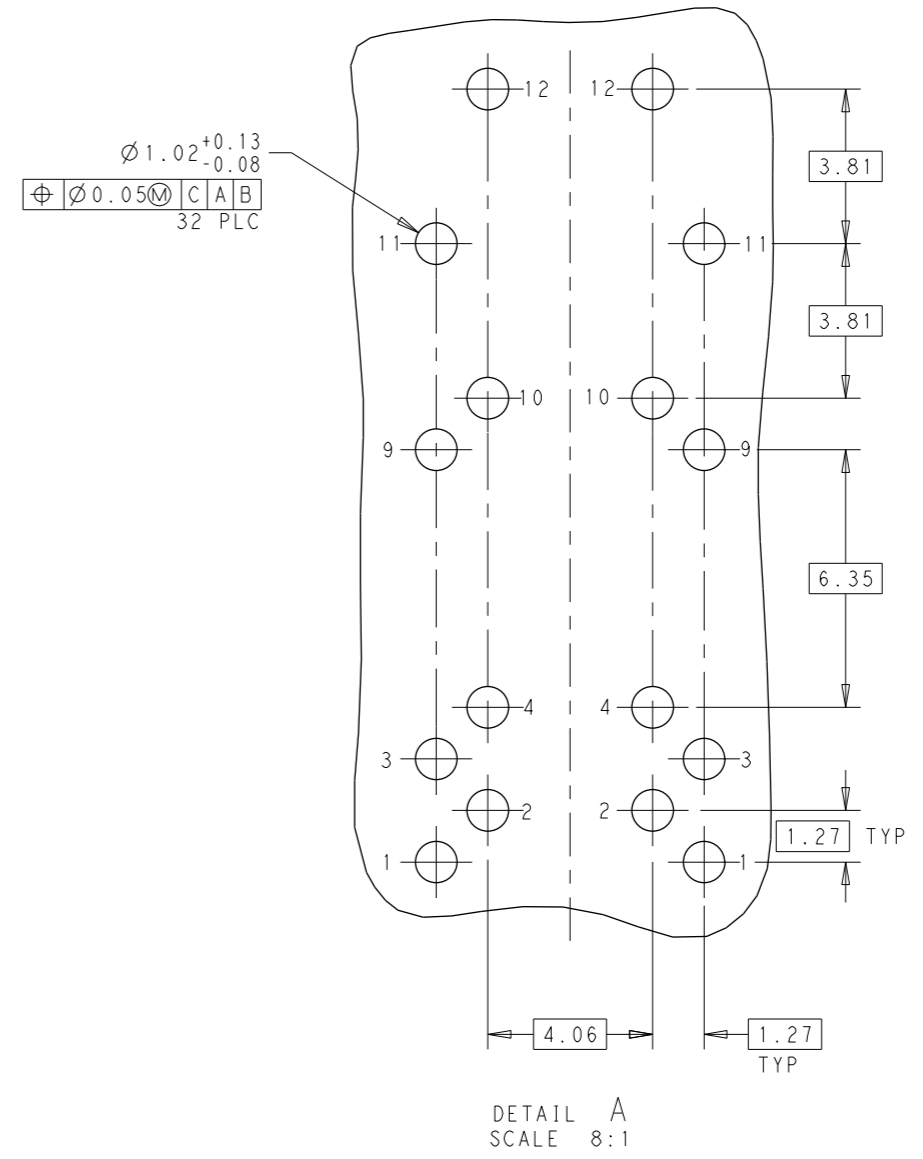
THIS DRAWING IS A CONTROLLED DOCUMENT.		OWN: RICK LI/TERRY LIN 27MAR2013	TRP CONNECTOR a bel group DONGGUAN CHINA
DIMENSIONS: mm		CHK: TOMMY REN 27MAR2013	
TOLERANCES UNLESS OTHERWISE SPECIFIED:		APPV: KEITH ZHU 27MAR2013	DESC: 2X2, 10/100 S9H136DET PoE PLUS CIRCUIT
0 PLC ±0.25 1 PLC ±0.25 2 PLC ±0.25 3 PLC ± 4 PLC ± ANGLES ± APPLICATION SPEC		MODEL NAME: MAGJACK	RESTRICTED TO: -
PRODUCT SPEC		SIZE: A1	CAGE CODE: 2250003
		CUSTOMER DRAWING	SCALE: NTS SHEET 1 OF 3 REV 4



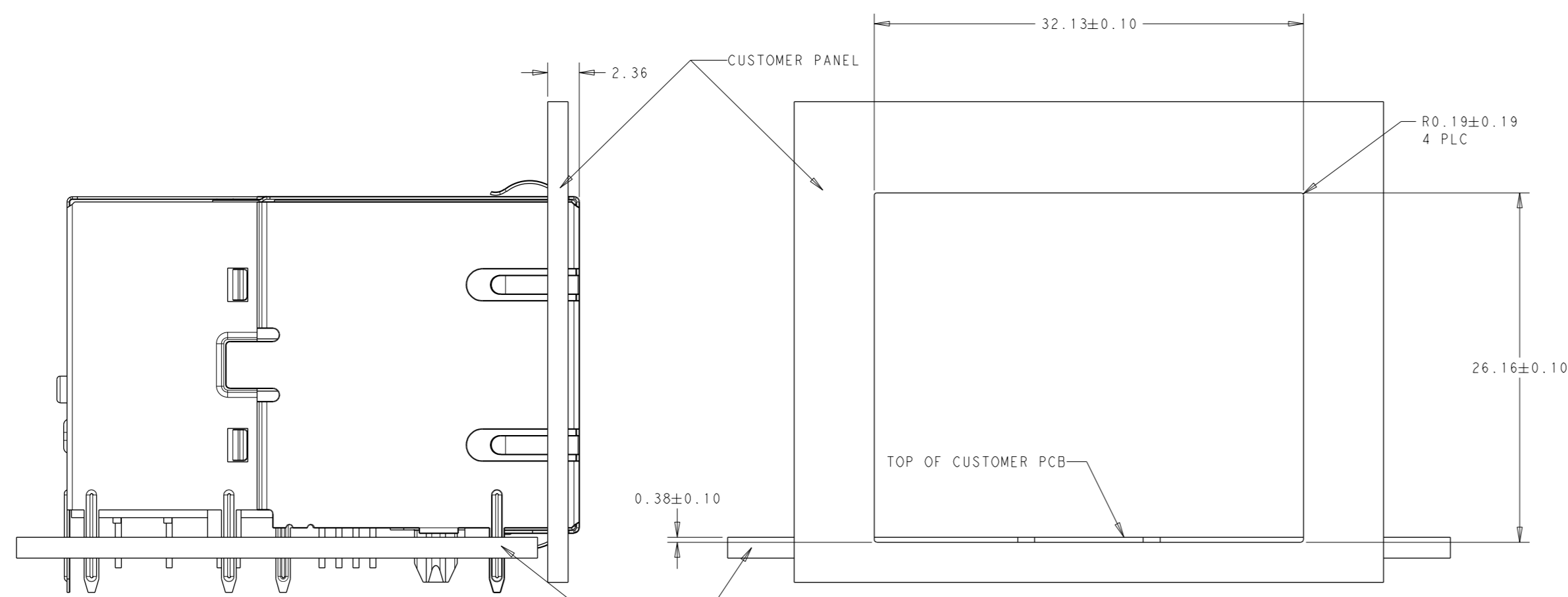
THIS DRAWING IS A CONTROLLED DOCUMENT.		DNW: RICK LI/TERRY 27MAR2013	 trp CONNECTOR a bel group DONGGUAN CHINA
DIMENSIONS: mm		CHK: TOMMY REN 27MAR2013	
TOLERANCES UNLESS OTHERWISE SPECIFIED:		APPR: KEITH ZHU 27MAR2013	
0 PLC ±0.25 1 PLC ±0.25 2 PLC ±0.25 3 PLC ± 4 PLC ± ANGLES ± APPLICATION SPEC	MODEL NAME MAGJACK STACK PoE PLUS	DESC 2X2, 10/100 S9H136DET PoE PLUS CIRCUIT	SIZE A1 CAGE CODE DRAWING NO. C=2250003 RESTRICTED TO
PRODUCT SPEC	APPLICATION SPEC	CUSTOMER DRAWING	SCALE NTS SHEET 2 OF 3 REV 4



RECOMMENDED PCB LAYOUT COMPONENT SIDE VIEW

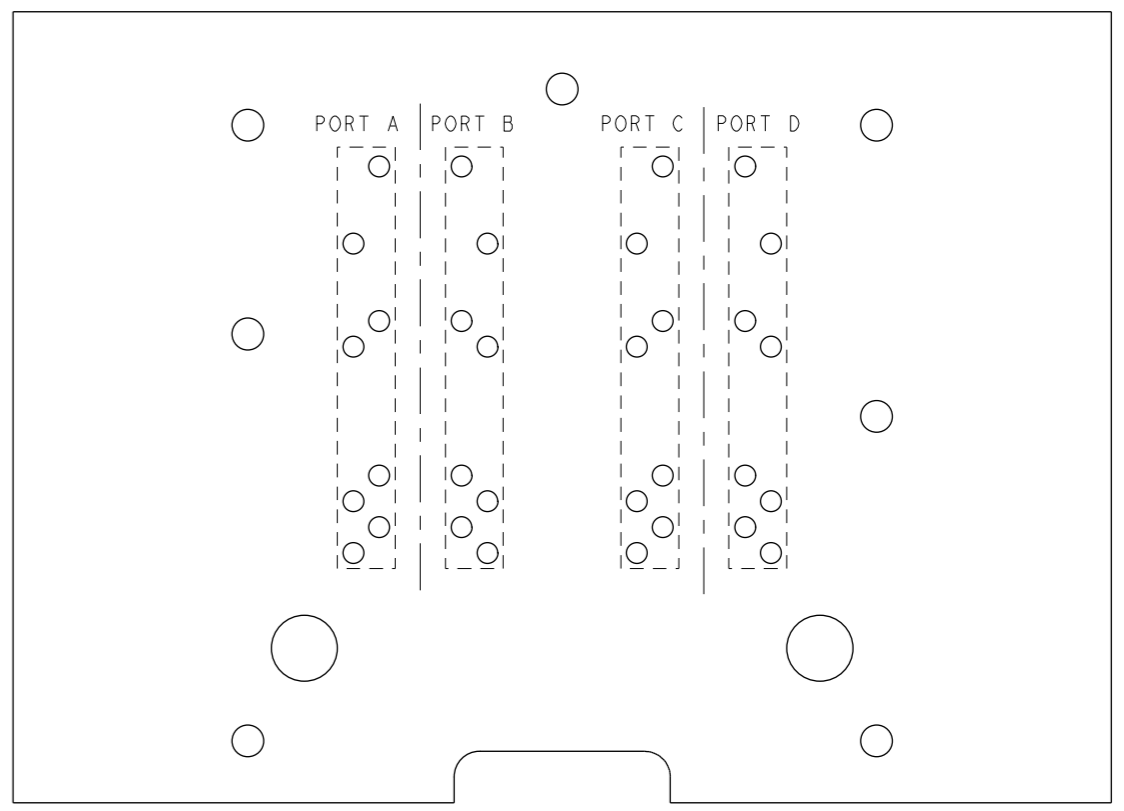


DETAIL A SCALE 8:1



SHOWN WITH PANEL AND CUSTOMER PCB ASSEMBLY

SUGGESTED PANEL CUTOUT DIMENSIONS



PORT ASSIGNMENT COMPONENT SIDE VIEW

THIS DRAWING IS A CONTROLLED DOCUMENT.		DNW: 27MAR2013	 DONGGUAN CHINA
DIMENSIONS: mm		CHK: TOMMY REN 27MAR2013	
TOLERANCES UNLESS OTHERWISE SPECIFIED:		APPV: KEITH ZHU 27MAR2013	
0 PLC ±0.25 1 PLC ±0.25 2 PLC ±0.25 3 PLC ± 4 PLC ± ANGLES ± APPLICATION SPEC ±	MODEL NAME: MAGJACK PRODUCT SPEC: STACK PoE PLUS CUSTOMER DRAWING	DESC: 2X2, 10/100 S9H136DET PoE PLUS CIRCUIT SIZE: A1 SCALE: NTS SHEET: 3 of 3 REV: 4	RESTRICTED TO