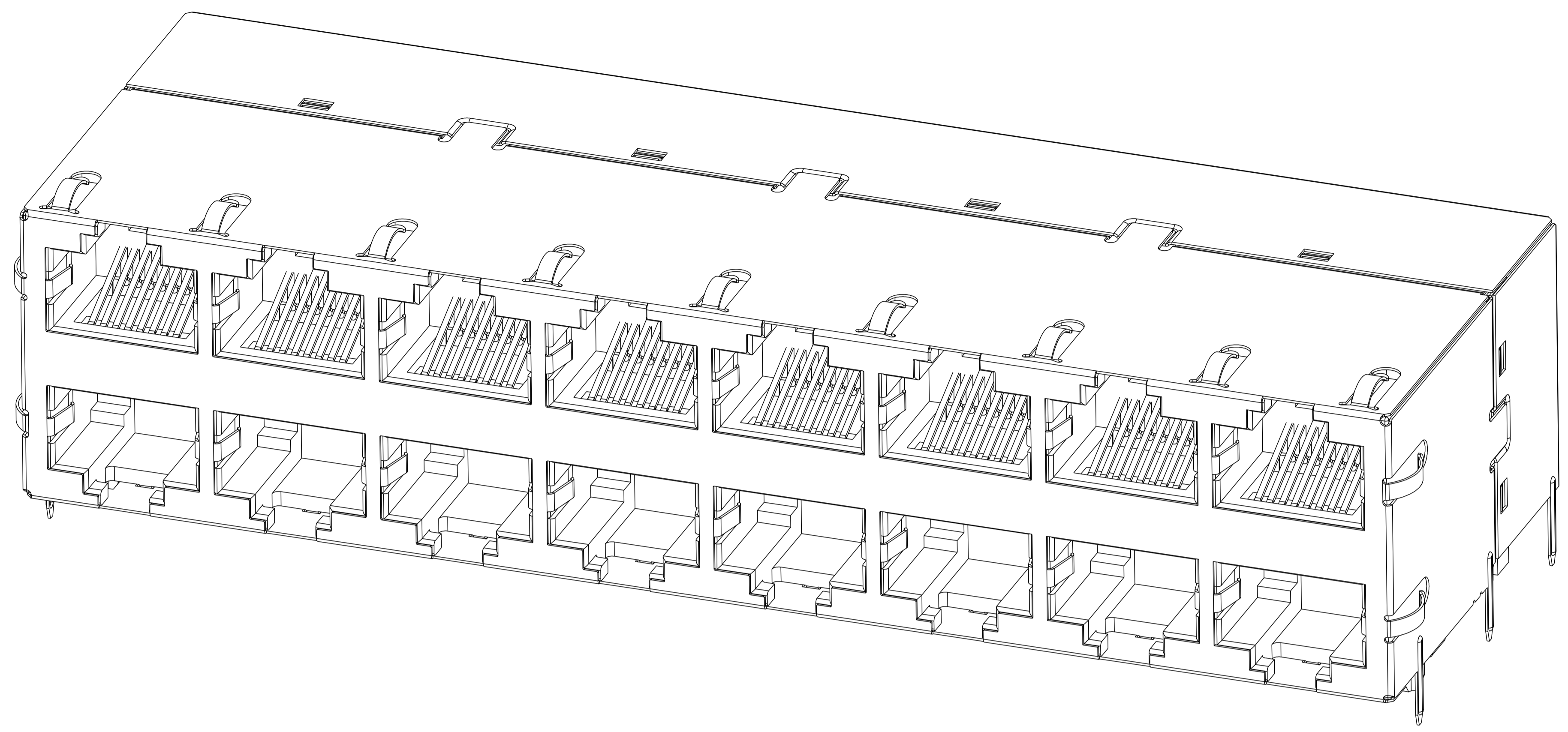


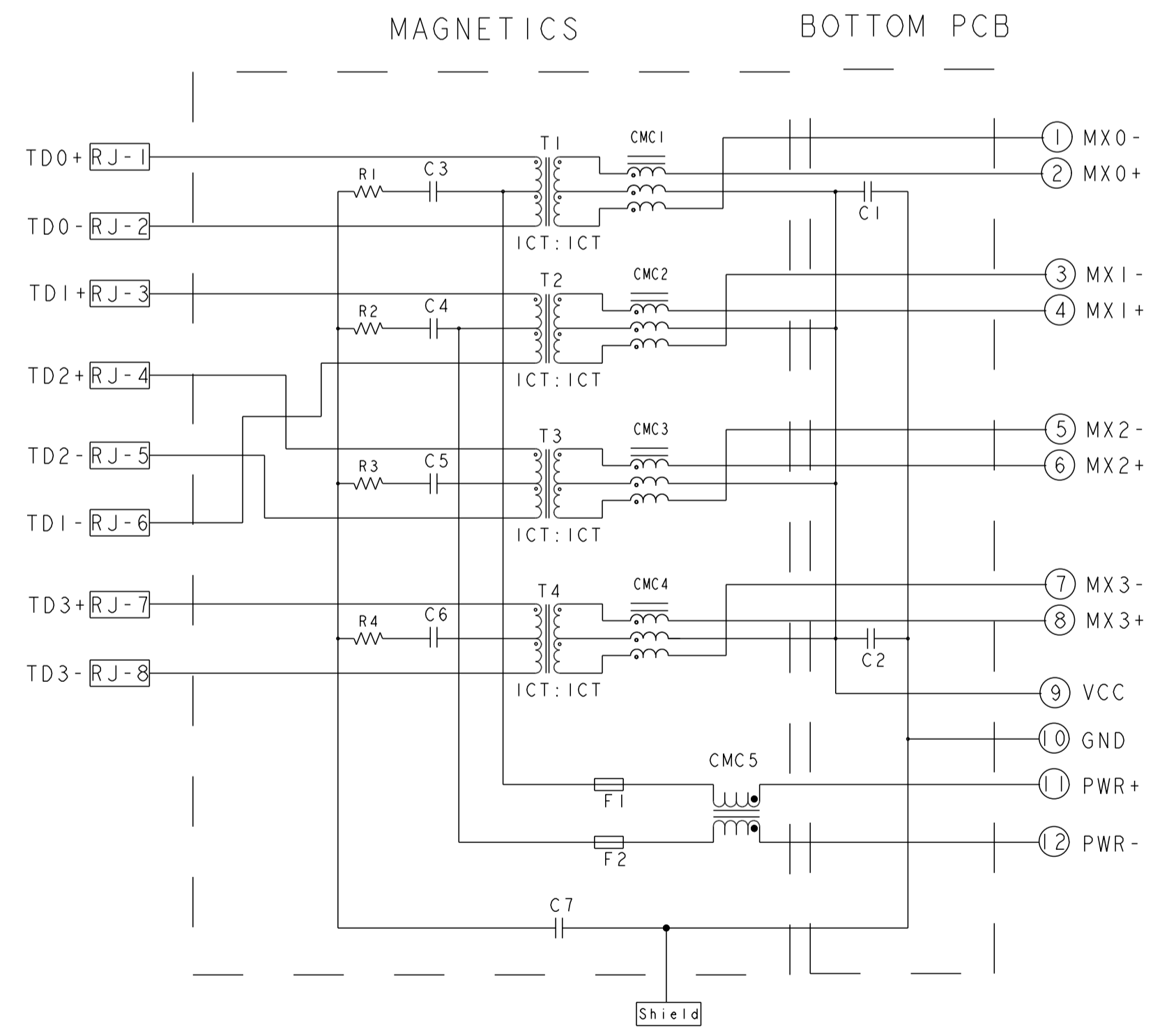
THIS DRAWING AND THE SUBJECT MATTER SHOWN THEREON ARE CONFIDENTIAL AND THE PROPERTY OF BEL/STEWART/TRP CONNECTOR AND SHALL NOT BE REPRODUCED, COPIED, OR USED IN ANY MANNER WITHOUT THE WRITTEN CONSENT OF TRP CONNECTOR.

PRODUCT MAY BE PROTECTED BY ONE OR MORE OF THE FOLLOWING US PATENTS:
 5736910 5939955 6425781 6428361 6554638 6840817 7123117
 7429195 7717749 7808751 6217391 6149050 7924130

| REVISIONS | | | | |
|-----------|-----|--------------------------------|-----------|-------|
| P | LTR | DESCRIPTION | DATE | APPD |
| D | | EC-1411035 COMPANY LOGO CHANGE | 18JAN2015 | GZ TY |
| | | | | |
| | | | | |

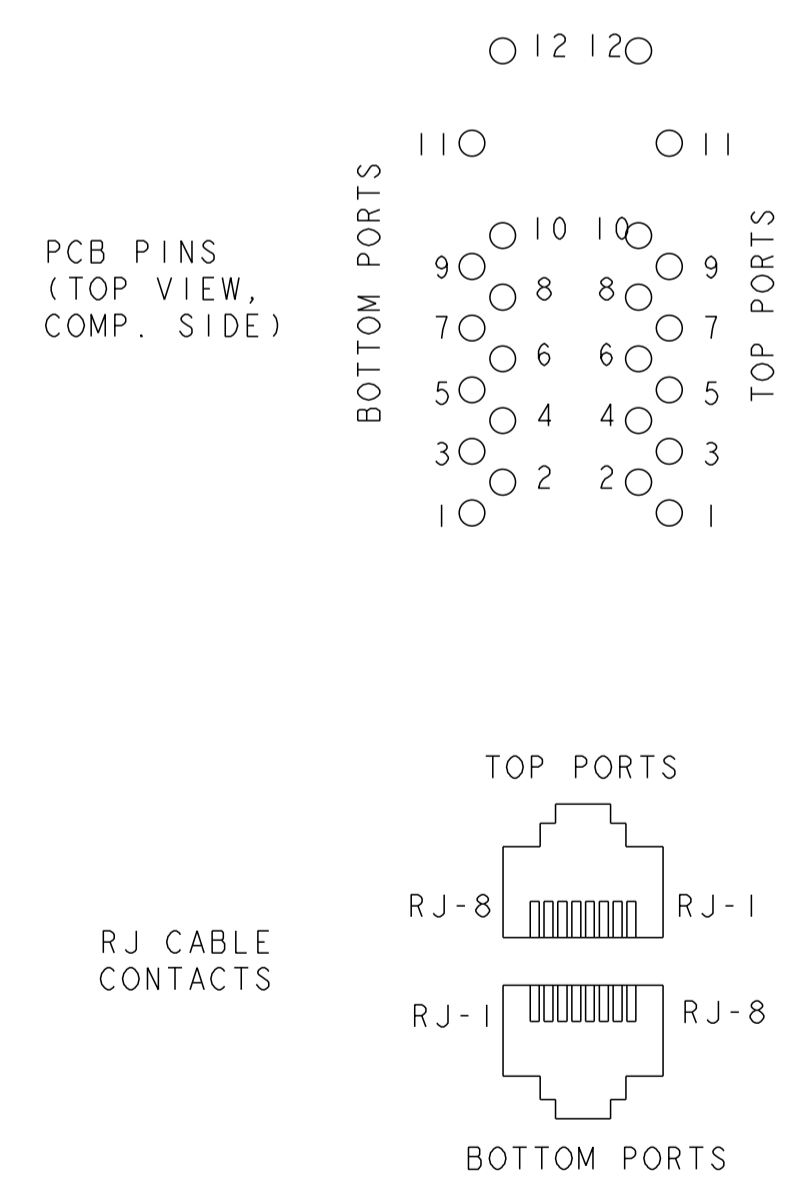


S9VG60 GIGABIT PoE CIRCUIT ⚠️⚠️
 TOP AND BOTTOM PORTS



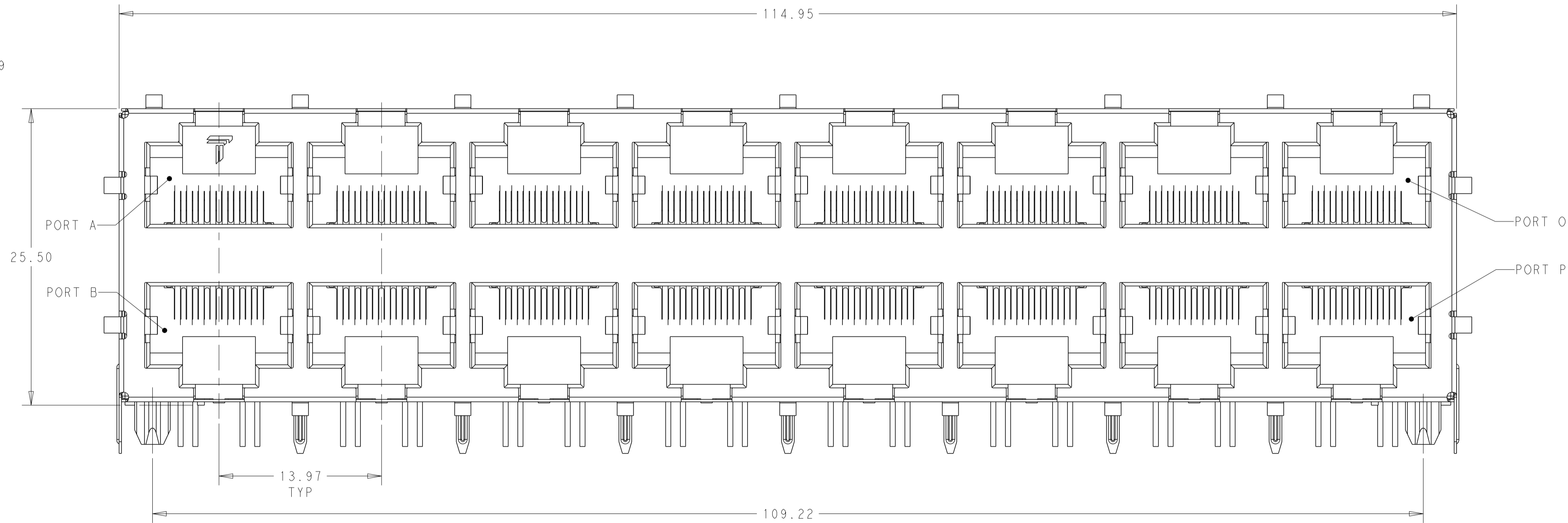
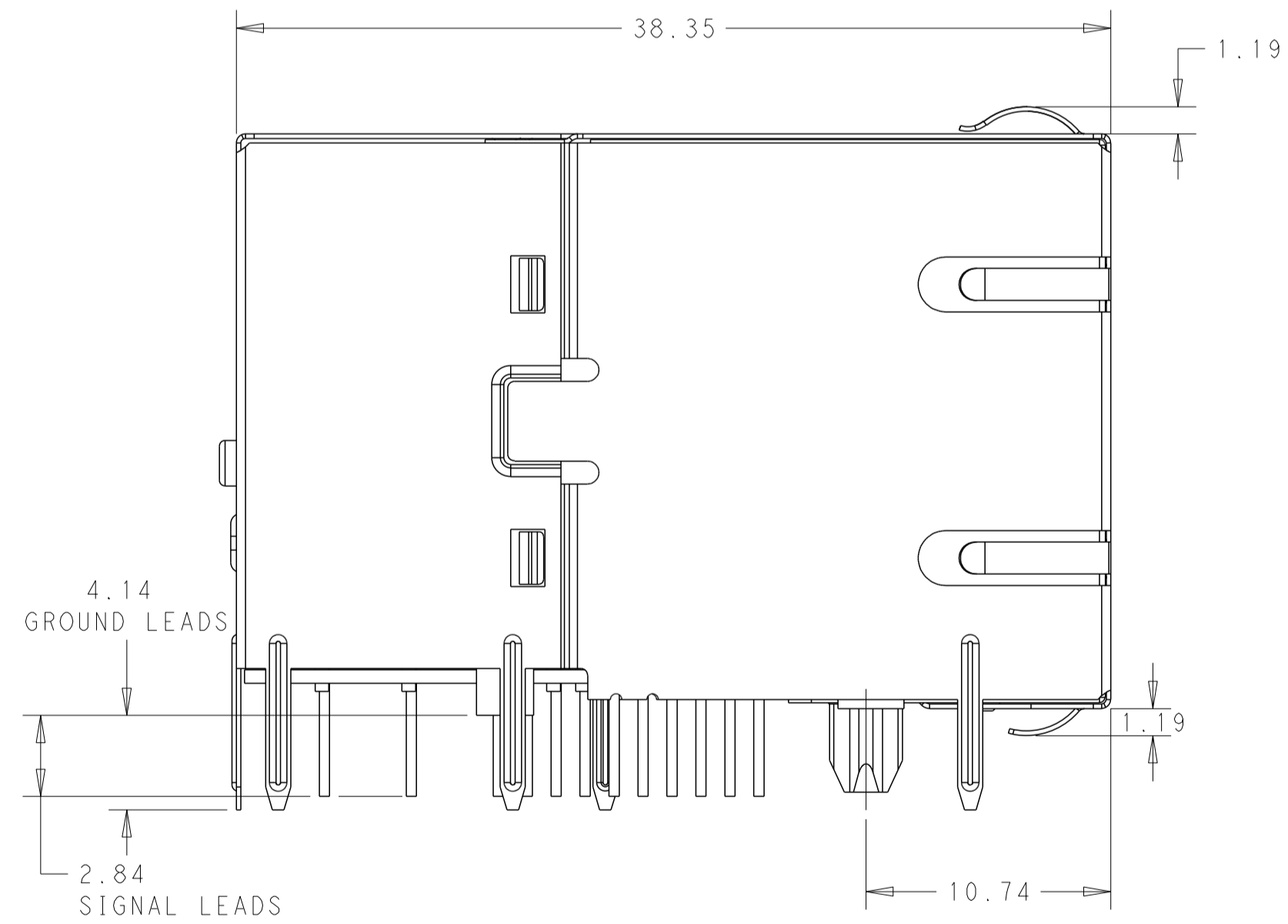
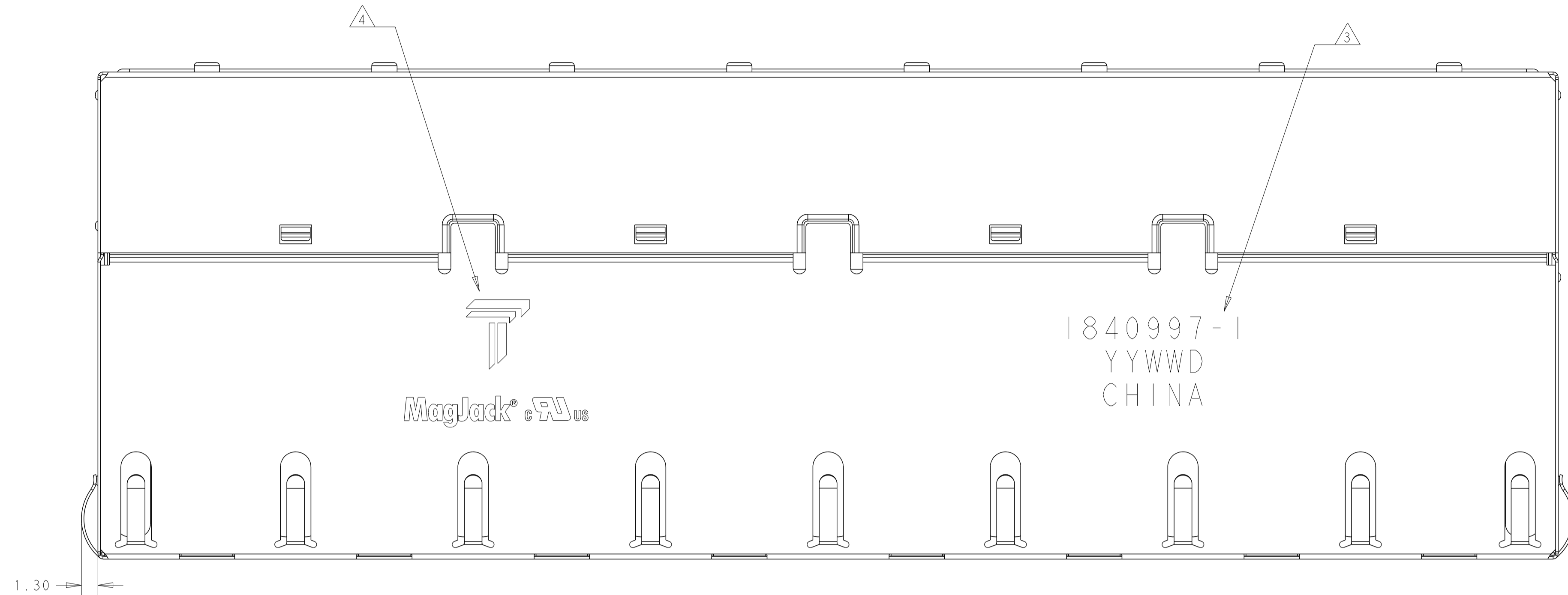
C1-C2=10nF, 50V, X7R,CAPACITORS
 C3-C6=22nF, 100V,CAPACITORS
 C7=1000PF, 3KV,CAPACITOR
 R1-R4=75 Ohm 1/16W,RESISTORS
 F1-F2= 125V, 1A

PIN DESIGNATIONS
 (REPEAT FOR EACH VERTICAL PAIR OF PORTS)



- MATERIALS:**
 PLASTIC HOUSING: BLACK, THERMOPLASTIC FLAMMABILITY RATING UL 94V-0
 SHIELD: BRASS, PREPLATED WITH 0.76um MIN SEMI-BRIGHT NICKEL,
 POST DIPPED WITH 2.54um MIN SAC SOLDER ON SOLDER TAILS.
 CONTACTS: PHOSPHOR BRONZE, 1.27um MIN OVERALL NICKEL
 UNDERPLATE WITH SELECT 1.27um MIN GOLD AT MATING INTERFACE
 AND 2.54um MIN MATTE TIN ON SOLDER TAILS.
 ALL PC BOARDS: HIGH TEMPERATURE PCB,TG>170°C
- MAGNETICS**
 APPLICATION: 10/100/1000 BASE-T, PoE
 IMPEDANCE: 100 OHMS
 TURNS RATIO (CHIP:CABLE): 1:1 ALL FOUR PAIRS
 OPEN CIRCUIT INDUCTANCE (OCL): 350uH MIN @100kHz, 0.1VRMS,
 8mADC BIAS FROM 0°C TO 70°C, ALL FOUR PAIRS
 ALL FOUR PAIRS BI-DIRECTIONAL
 POE CURRENT: 350mADC MAX
 PERFORMANCE@25°C;
 INSERTION LOSS(IL): 1.1dB MAX FROM 0.5MHz TO 100MHz
 RETURN LOSS (RL): 18dB MIN FROM 0.5MHz TO 40MHz
 12-20LOG(f/80)dB MIN FROM 40.1MHz TO 100MHz
 CROSSTALK ATTENUATION: 35dB MIN FROM 0.5MHz TO 40MHz
 33-20LOG(f/50)dB MIN FROM 40.1MHz TO 100MHz
 COMMON MODE REJECTION RATIO (CMRR): 30dB MIN FROM 0.5MHz TO 100MHz
 ISOLATION VOLTAGE: 2250VDC(MAX) FOR 60 SECONDS WITH A RISE TIME OF
 500V/SEC AND WITH ALL PORTS CONNECTED.
- PART NUMBER, DATE CODE AND COUNTRY OF ORIGIN ARE
 LOCATED IN APPROXIMATE AREA SHOWN. YY
 IS YEAR,WW IS WORK WEEK, D IS DAY OF WEEK, WITH SUNDAY=1
- TRP CONNECTOR LOGO AND AGENCY APPROVAL LOGO ARE
 LOCATED IN APPROXIMATE AREA SHOWN.
- OPERATING TEMP: FROM 0°C TO +70°C.
- RJ45 CAVITY CONFORMS TO FCC RULES AND REGULATION PART 68 SUBPART F.
- INDICATED MAGNETIC CONNECTIONS ARE SYMMETRICAL AND
 SUPPORT AUTO-MD1/MDIX.
- DATUM AND BASIC DIMENSION ESTABLISHED BY CUSTOMER.
- BASIC DIMENSION ESTABLISHED BY CUSTOMER, BUT MAY NOT BE
 GREATER THAN 5.08mm.
- THE PARTS ARE RECOMMENDED FOR WAVE SOLDERING PROCESS,
 PEAK TEMPERATURE 260°C MAX, 10 SECONDS MAX.

| | | | |
|--|--|---|--|
| THIS DRAWING IS A CONTROLLED DOCUMENT. | | DWN: TOMMY REN/KO 11 31AUG2010 CHK: TONY YUAN 31AUG2010 APD: KEITH ZHU 31AUG2010 | 1840997-1 PART NUMBER |
| DIMENSIONS: mm | TOLERANCES UNLESS OTHERWISE SPECIFIED: 0 PLC ± 1 PLC ± 2 PLC ±0.25 3 PLC ± 4 PLC ± ANGLES ± APPLICATION SPEC ± | MODEL NAME MAGJACK | DONGGUAN CHINA 2X8 S9VG60 GIGABIT PoE W/O LED |
| PRODUCT SPEC | APPLICATION SPEC | STACK POE CUSTOMER DRAWING | SIZE: A1 CAGE CODE: C=1840997 DRAWING NO: 31AUG2010 RESTRICTED TO: - SCALE: 4:1 SHEET 1 OF 3 REV D |



| | | | |
|--|---|---|---|
| THIS DRAWING IS A CONTROLLED DOCUMENT. | | DWN: TOMMY REN/JO 31AUG2010 CHK: TONY YUAN 31AUG2010 APD: KEITH ZHU 31AUG2010 | trp CONNECTOR a bel group DONGGUAN CHINA |
| DIMENSIONS: mm | TOLERANCES UNLESS OTHERWISE SPECIFIED: 0 PLC ± 1 PLC ± 2 PLC ±0.25 3 PLC ± 4 PLC ± ANGLES ± APPLICATION SPEC - | MODEL NAME: MAGJACK STACK POE CUSTOMER DRAWING | |

