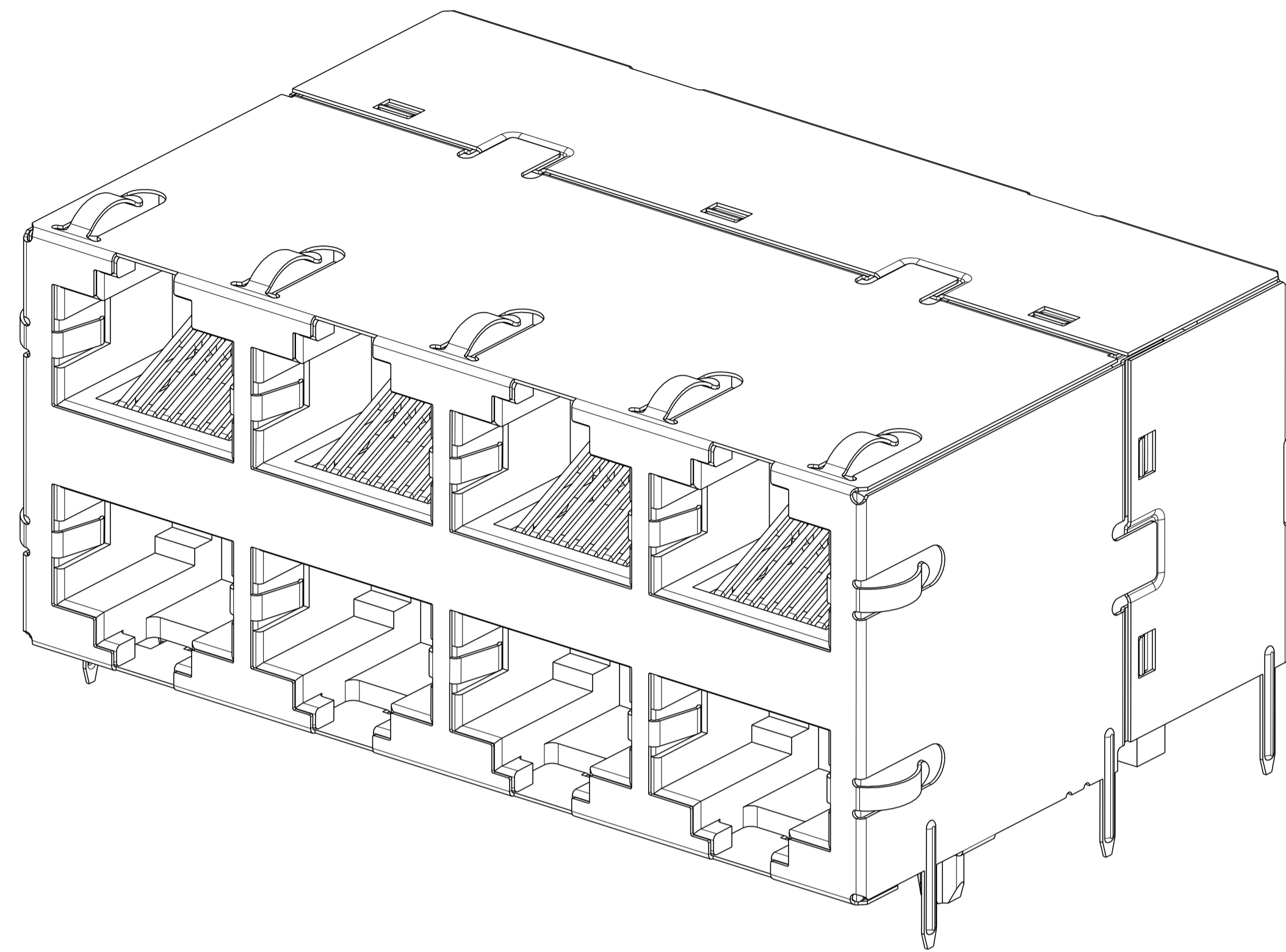


THIS DRAWING AND THE SUBJECT MATTER SHOWN THEREON ARE CONFIDENTIAL AND THE PROPERTY OF BEL/STEWART/TRP CONNECTOR AND SHALL NOT BE REPRODUCED, COPIED, OR USED IN ANY MANNER WITHOUT THE WRITTEN CONSENT OF TRP CONNECTOR.

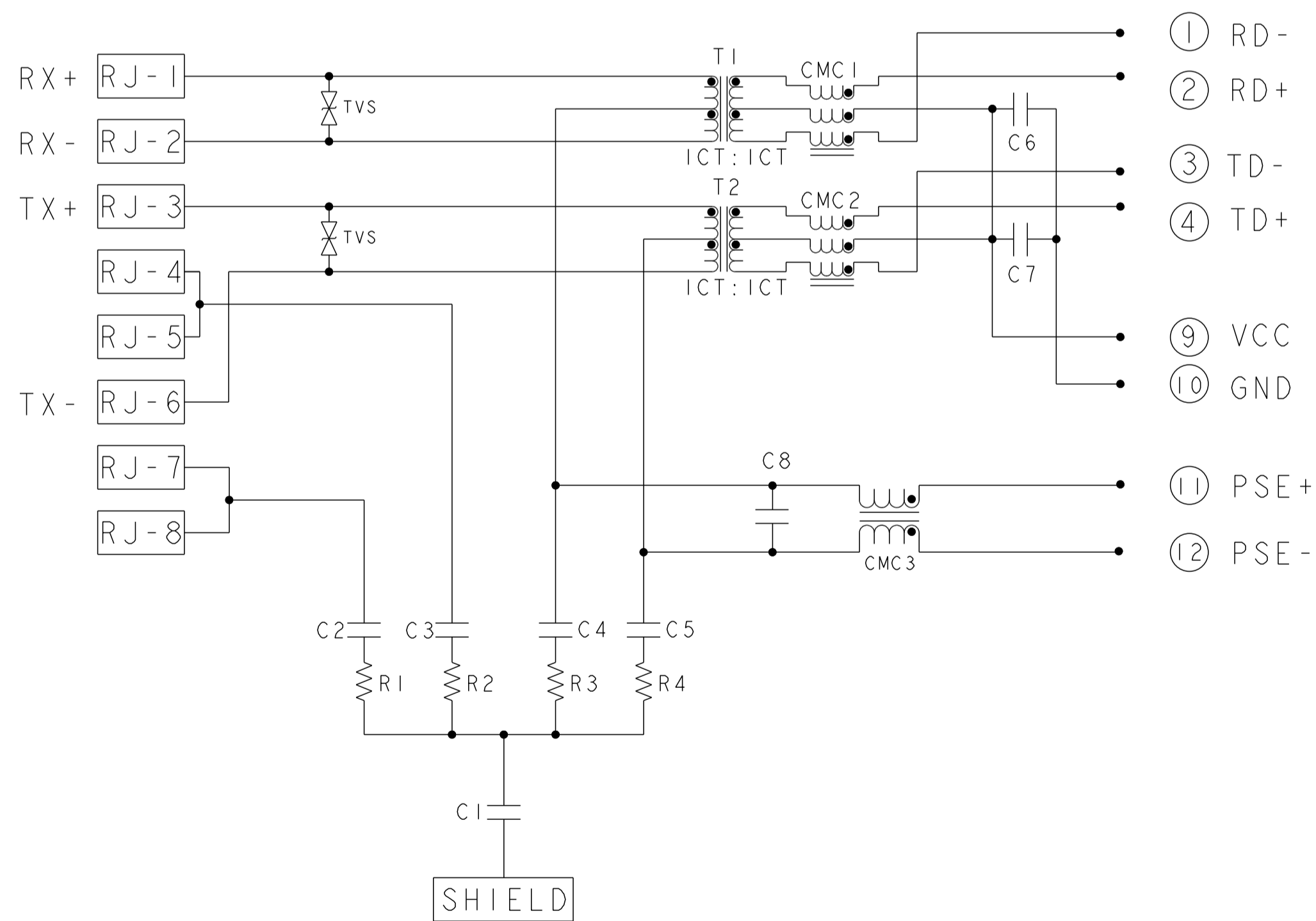
PRODUCT MAY BE PROTECTED BY ONE OR MORE OF THE FOLLOWING US PATENTS:
 5736910 5939955 6425781 6428361 6554638 6840817 7123117
 7429195 7717749 7808751 6217391 6149050 7924130

REVISIONS					
P	LTR	DESCRIPTION	DATE	DWR	APVD
C		EC-1411035 COMPANY LOGO CHANGE	18DEC2014	GZ	TY



S9H96 10/100 PoE PLUS CIRCUIT

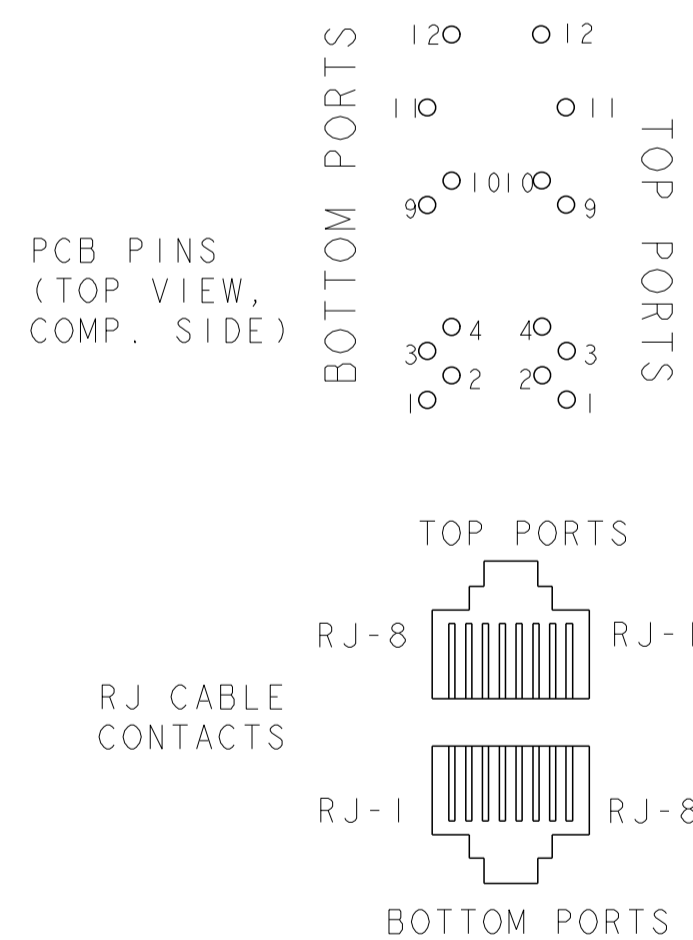
TOP AND BOTTOM PORTS



C1 = 1000pF, 2KV, CAPACITOR
 C2-C5 = 22nF, 100V, CAPACITORS
 C6-C7 = 10nF, 50V, CAPACITORS
 R1-R4 = 75 Ohms, 1/16 W, RESISTORS
 C8 = 0.1uF, 100V, CAPACITOR
 TVS=SLVU2.8-8

PIN DESIGNATIONS

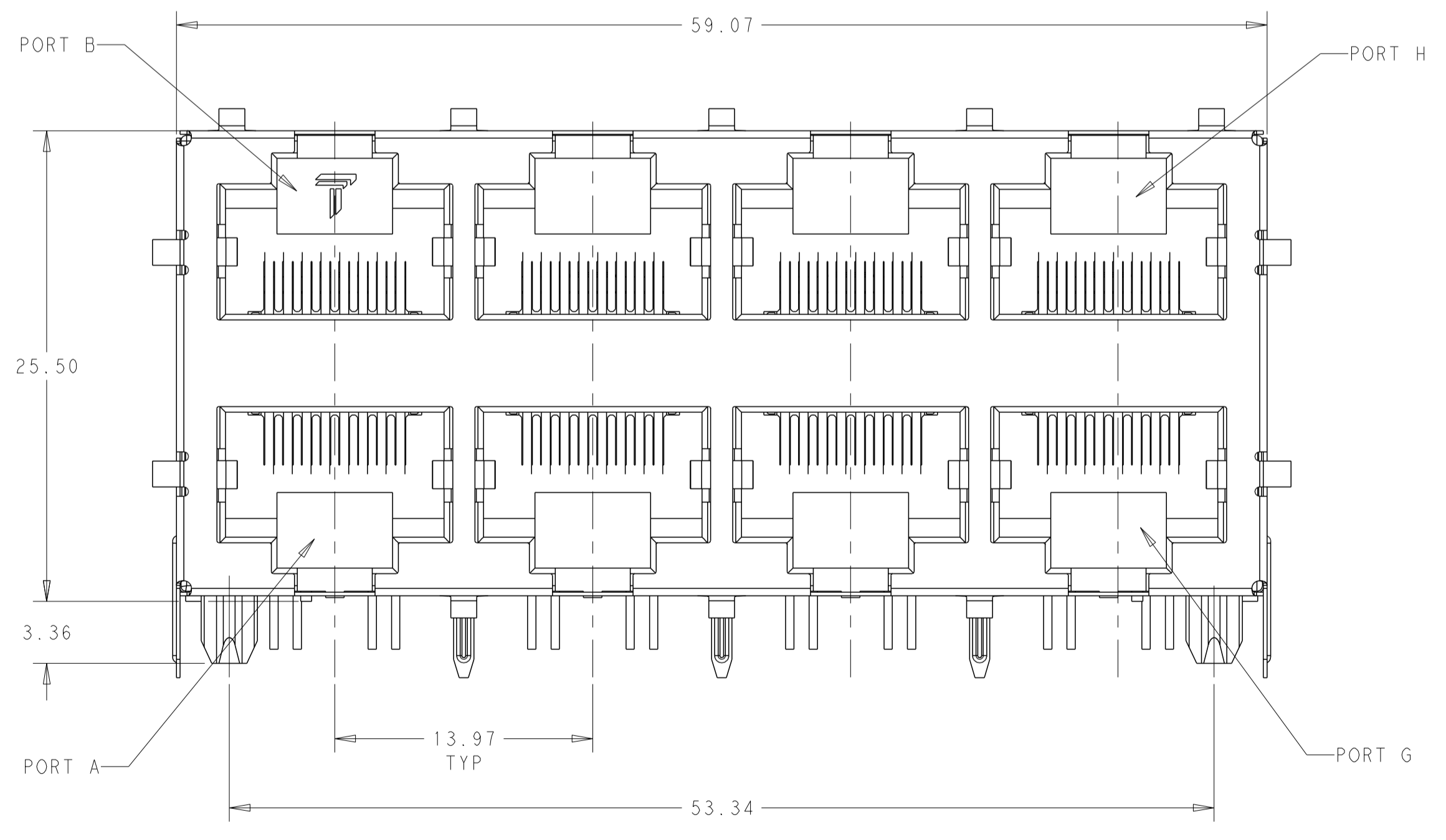
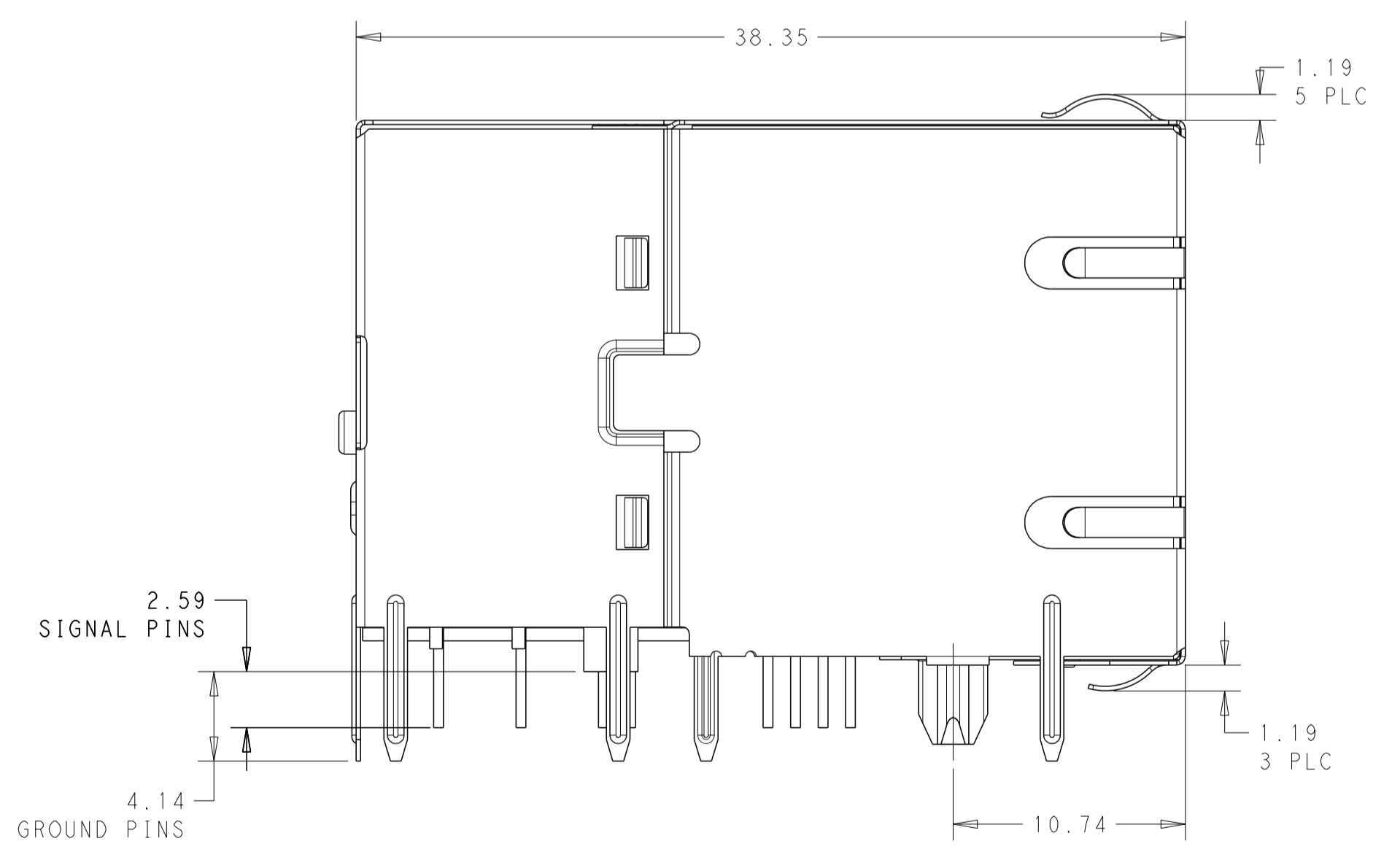
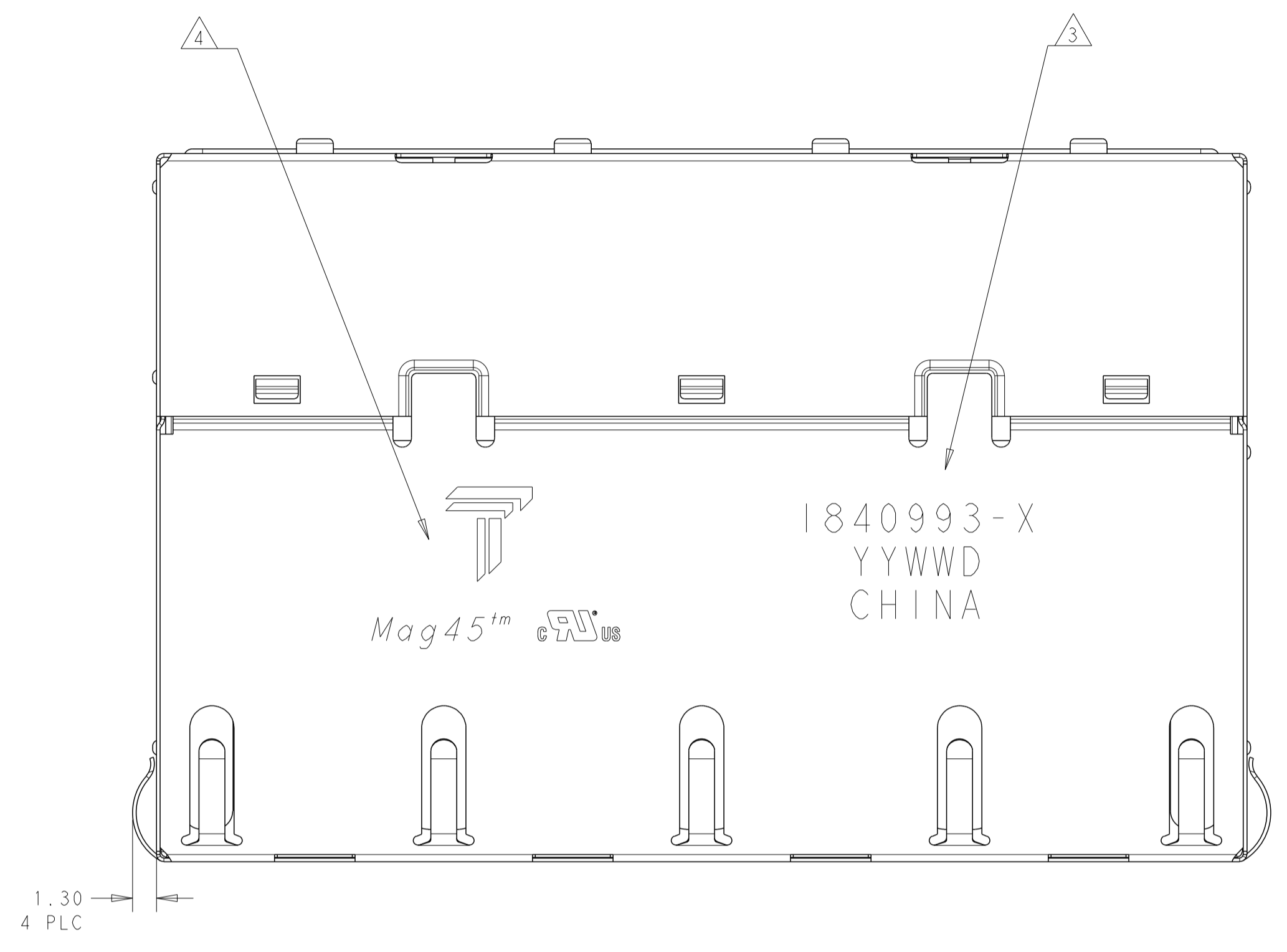
(REPEAT FOR EACH VERTICAL PAIR OF PORTS.)




- MATERIALS:
 PLASTIC HOUSING: BLACK, THERMOPLASTIC FLAMMABILITY RATING UL 94V-0
 SHIELD: BRASS, PREPLATED WITH 0.76um MIN SEMI-BRIGHT NICKEL,
 POST DIPPED WITH 2.54um MIN SAC SOLDER ON SOLDER TAILS,
 CONTACTS: PHOSPHOR BRONZE, 1.27um MIN OVERALL NICKEL
 UNDERPLATE WITH SELECT 1.27um MIN GOLD AT MATING INTERFACE
 AND 2.54um MIN MATTE TIN ON SOLDER TAILS.
- MAGNETICS
 APPLICATION: 10/100 BASE-T, PoE PLUS
 IMPEDANCE: 100 OHMS
 TURNS RATIO (CHIP:CABLE): TX=1:1, RX=1:1
 OPEN CIRCUIT INDUCTANCE (OCL): 350uH MIN @100kHz, 0.1VRMS,
 24mADC BIAS FROM 0°C TO 70°C, TX AND RX
 PoE CURRENT: 1).RATED CURRENT: 600mA; 2).MAXIMUM CURRENT: 840mA
 PERFORMANCE @ 25°C:
 INSERTION LOSS (IL): 1.1dB MAX FROM 0.5MHz TO 80MHz
 1.7dB MAX FROM 80.1MHz TO 100MHz
 RETURN LOSS (RL): 18dB MIN FROM 0.5MHz TO 30MHz
 18-20LOG(f/30)dB MIN FROM 30.1MHz TO 60MHz
 12dB MIN FROM 60.1MHz TO 80MHz
 CROSSTALK ATTENUATION: 35dB MIN FROM 0.5MHz TO 40MHz
 33-20LOG(f/50)dB MIN FROM 40.1MHz TO 100MHz
 COMMON MODE REJECTION RATIO (CMRR): 30dB MIN FROM 0.5MHz TO 100MHz
 ISOLATION VOLTAGE: 2250VDC (MAX) FOR 60 SECONDS WITH A RISE TIME OF
 500V/SEC AND WITH ALL PORTS CONNECTED.
- PART NUMBER, DATE CODE AND COUNTRY OF ORIGIN ARE
 LOCATED IN APPROXIMATE AREA SHOWN.
 DATE CODE: YYWW WHERE "YY" IS YEAR, "WW" IS WORK WEEK, "D" IS DAY OF WEEK,
 WITH SUNDAY =1.
- TRP CONNECTOR LOGO AND AGENCY APPROVAL LOGO ARE
 LOCATED IN APPROXIMATE AREA SHOWN.
- OPERATING TEMP: FROM 0°C TO +70°C.
- RJ45 CAVITY CONFORMS TO FCC RULES AND REGULATION PART 68 SUBPART F.
- INDICATED MAGNETIC CONNECTIONS ARE SYMMETRICAL AND
 SUPPORT AUTO-MDI/MDIX.
- DATUM AND BASIC DIMENSION ESTABLISHED BY CUSTOMER.
- BASIC DIMENSION ESTABLISHED BY CUSTOMER, BUT MAY NOT BE
 GREATER THAN 5.08mm.
- THE PARTS ARE RECOMMENDED FOR WAVE SOLDERING PROCESS,
 PEAK TEMPERATURE 260°C MAX, 10 SECONDS MAX.

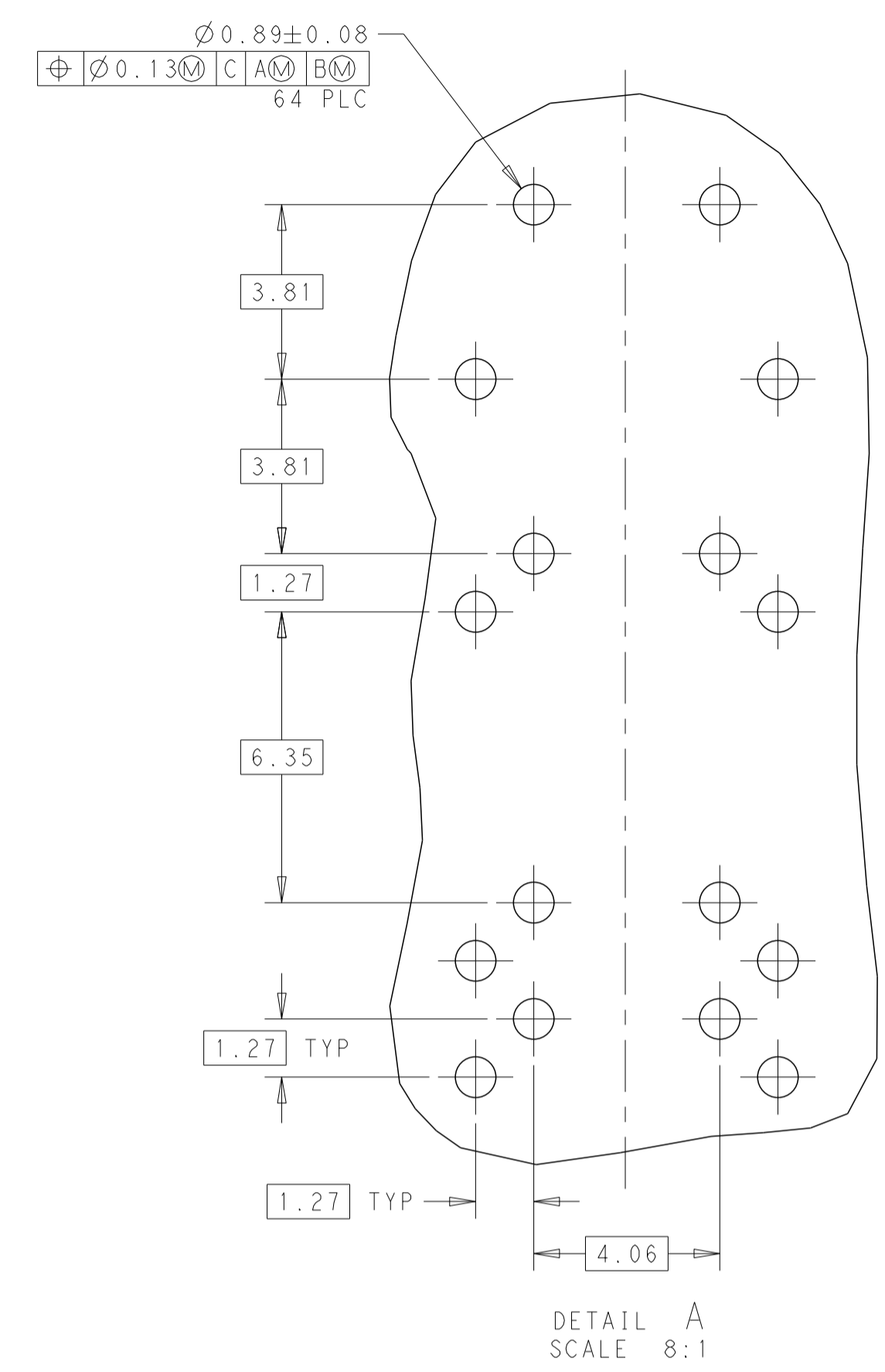
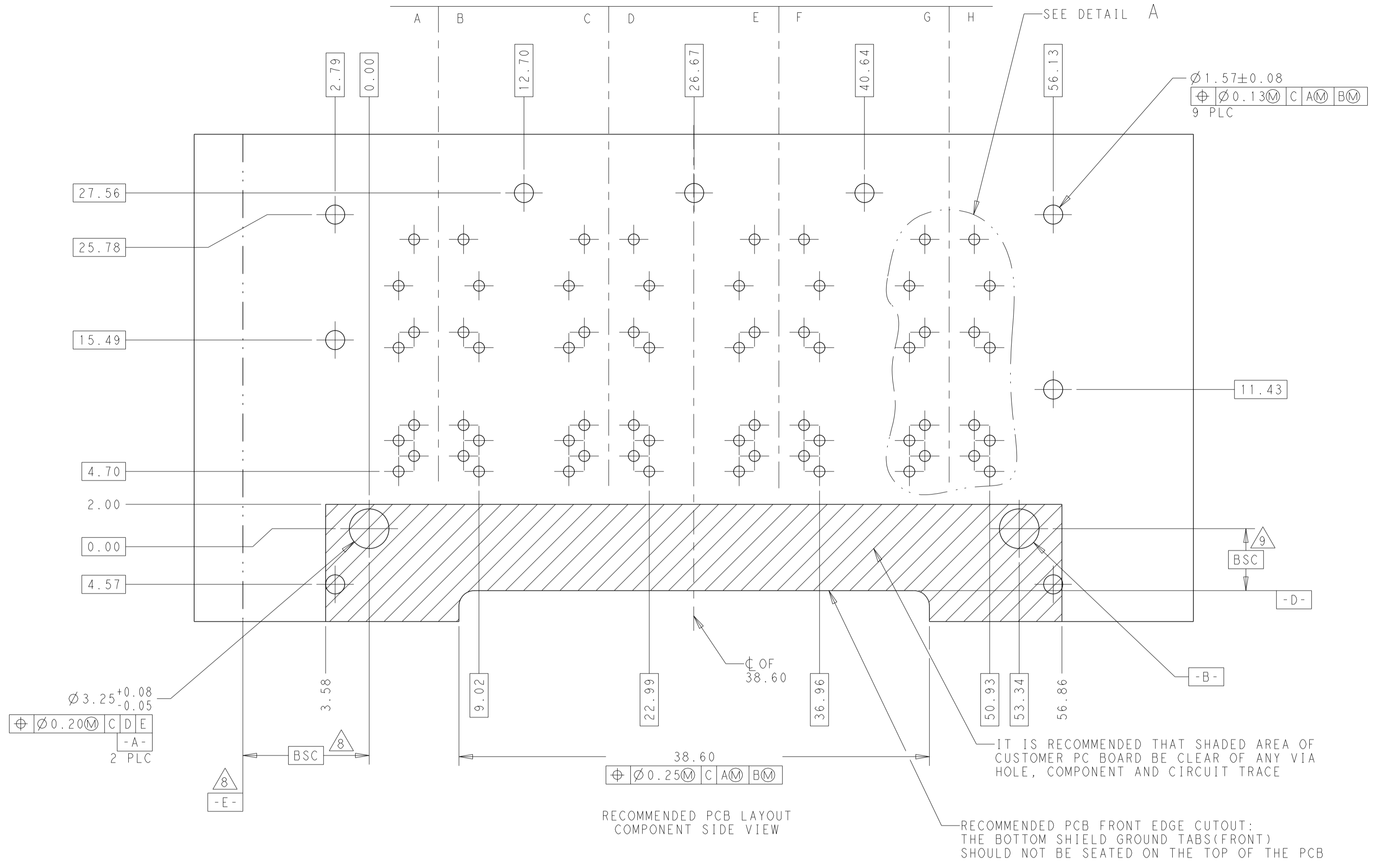
1840993-1
 PART NUMBER

THIS DRAWING IS A CONTROLLED DOCUMENT.		DWR RICK LI/BRIAN HUANG 30AUG2010	trp CONNECTOR a bel group DONGGUAN CHINA
DIMENSIONS: mm		CHK TONY YUAN 30AUG2010	
TOLERANCES UNLESS OTHERWISE SPECIFIED:		APVD KEITH ZHU 30AUG2010	DESC 2X4 S8H96 10/100 PoE+ W/O LED
0 PLC ±0.25 1 PLC ±0.25 2 PLC ±0.25 3 PLC ± 4 PLC ± ANGLES ±		MODEL NAME MAGJACK STACK PoE+	SIZE A1
PRODUCT SPEC 108-104004	APPLICATION SPEC	CAGE CODE 1840993	RESTRICTED TO -
CUSTOMER DRAWING		SCALE 4:1	SHEET 1 OF 3 REV C



THIS DRAWING IS A CONTROLLED DOCUMENT.		DRW: RICK LI / BRIAN HUANG 30AUG2010	 TRP CONNECTOR DONGGUAN CHINA
DIMENSIONS: mm		CHK: TONY YUAN 30AUG2010	
TOLERANCES UNLESS OTHERWISE SPECIFIED:		APP'D: KEITH ZHU 30AUG2010	DESC: 2X4 S8H96 10/100 PoE+ W/O LED
0 PLC	±0.25	MODEL NAME: MAGJACK	SIZE: A1
1 PLC	±0.25	PRODUCT SPEC: 108-104004	CAGE CODE: C=1840993
2 PLC	±0.25	APPLICATION SPEC: -	SCALE: 4:1
3 PLC	±		SHEET 2 OF 3
4 PLC	±		REV C
ANGLES	±		

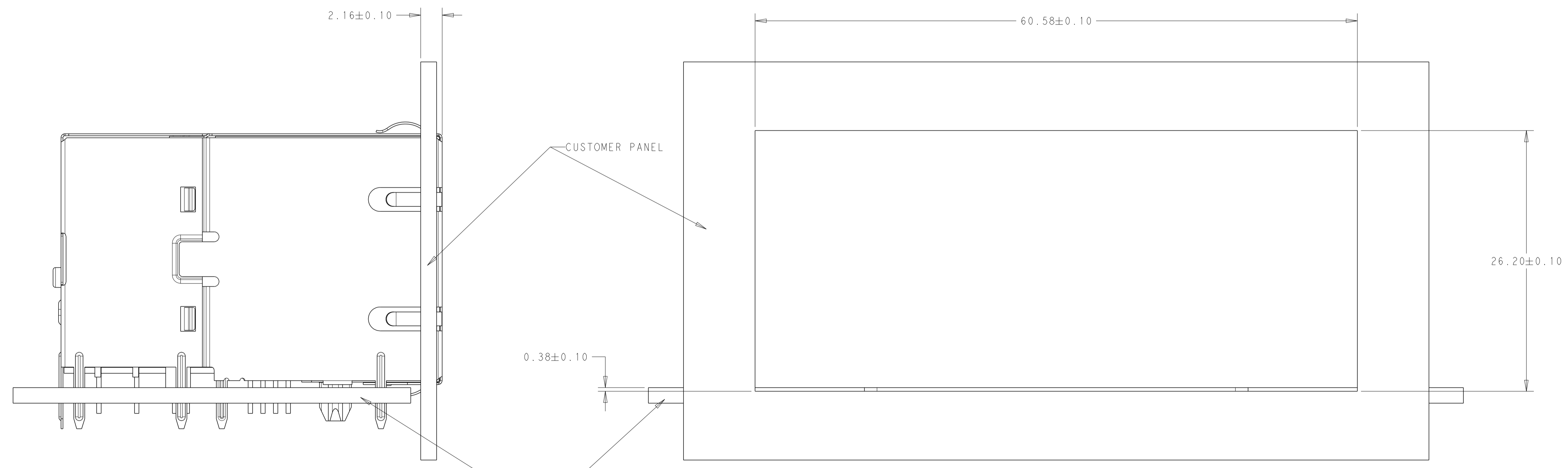
PORT ASSIGNMENTS



RECOMMENDED PCB LAYOUT COMPONENT SIDE VIEW

RECOMMENDED PCB FRONT EDGE CUTOUT: THE BOTTOM SHIELD GROUND TABS(FRONT) SHOULD NOT BE SEATED ON THE TOP OF THE PCB

DETAIL A SCALE 8:1



SUGGESTED PANEL CUTOUT DIMENSIONS

THIS DRAWING IS A CONTROLLED DOCUMENT.		DRW: RICK LI/BRIAN HUANG 30AUG2010	DONGGUAN CHINA
DIMENSIONS: mm		CHK: TONY YUAN 30AUG2010	
TOLERANCES UNLESS OTHERWISE SPECIFIED:		APP'D: KEITH ZHU 30AUG2010	
0 PLC ±0.25 1 PLC ±0.25 2 PLC ±0.25 3 PLC ±0.25 4 PLC ±0.25 ANGLES ±	PRODUCT SPEC 108-104004 APPLICATION SPEC -	MODEL NAME: MAGJACK STACK PoE+ DESC: 2X4 S8H96 10/100 PoE+ W/O LED SIZE: A1 CAGE CODE: 1840993	RESTRICTED TO: - SCALE: 4:1 SHEET: 3 OF 3 REV: C