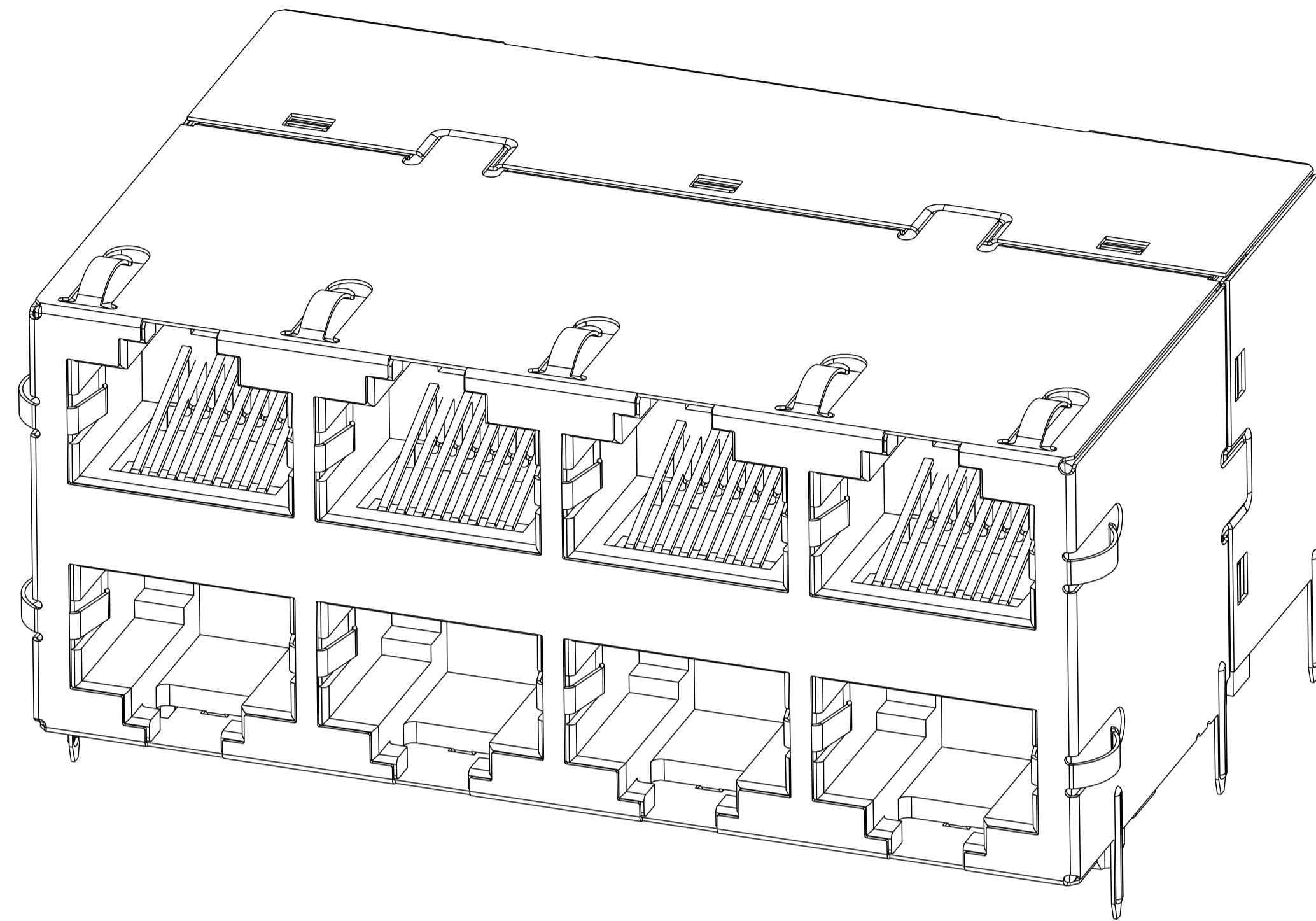


THIS DRAWING AND THE SUBJECT MATTER SHOWN THEREON ARE CONFIDENTIAL AND THE PROPERTY OF BEL/STEWART/TRP CONNECTOR AND SHALL NOT BE REPRODUCED, COPIED, OR USED IN ANY MANNER WITHOUT THE WRITTEN CONSENT OF TRP CONNECTOR.

PRODUCT MAY BE PROTECTED BY ONE OR MORE OF THE FOLLOWING US PATENTS:
 5736910 5939955 6425781 6428361 6554638 6840817 7123117
 7429195 7717749 7808751 6217391 6149050 7924130

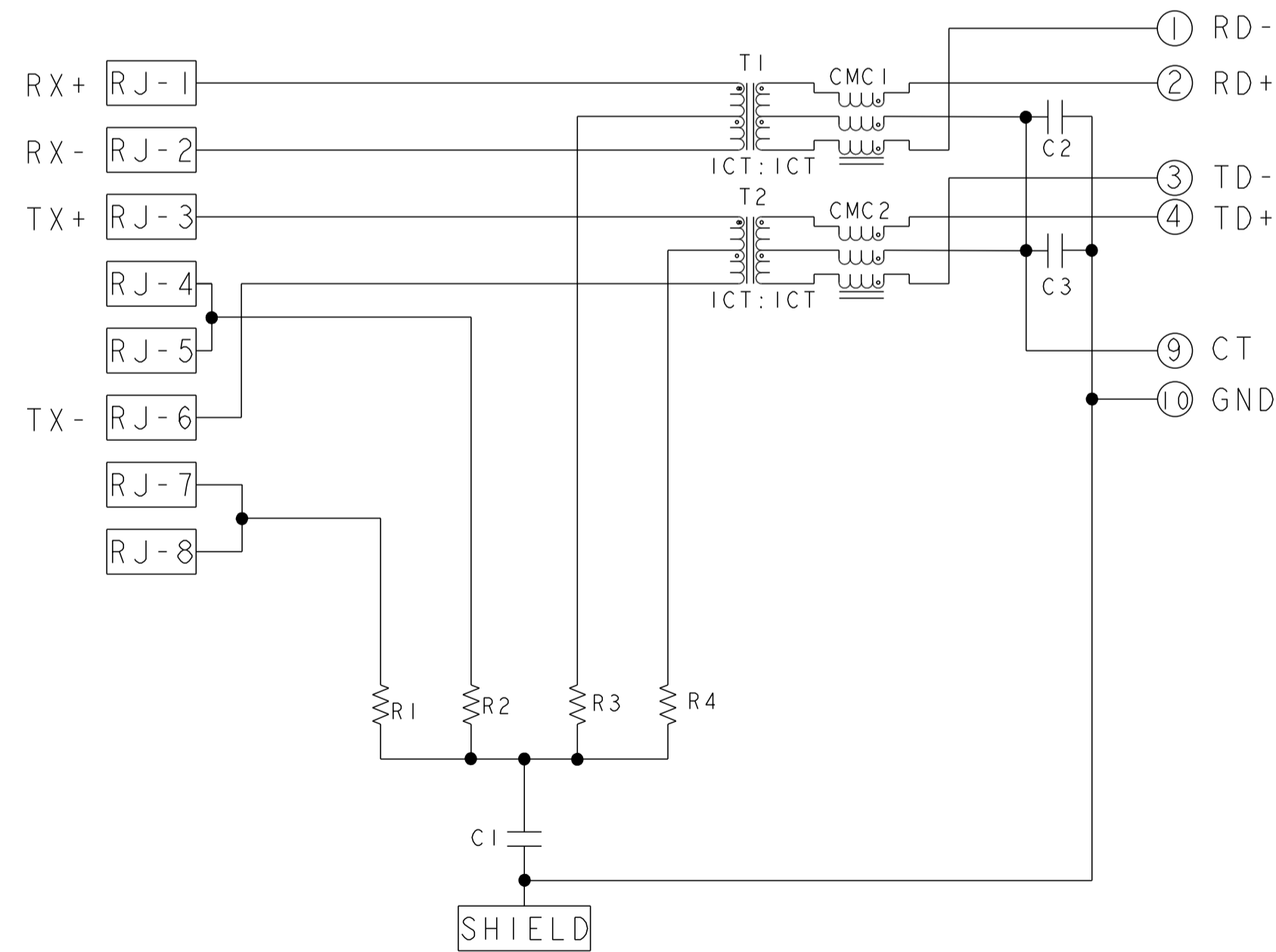
REVISIONS				
P	LTR	DESCRIPTION	DATE	DRW APVD
5		EC-1411035 COMPANY LOGO CHANGE	18JAN2015	GZ TY



- MATERIALS:
 PLASTIC HOUSING: BLACK, THERMOPLASTIC FLAMMABILITY RATING UL 94V-0
 SHIELD: BRASS, PREPLATED WITH 0.76um MIN SEMI-BRIGHT NICKEL,
 POST DIPPED WITH 2.54um MIN SAC SOLDER ON SOLDER TAILS,
 CONTACTS: PHOSPHOR BRONZE, 1.27um MIN OVERALL NICKEL
 UNDERPLATE WITH SELECT 1.27um MIN GOLD AT MATING INTERFACE
 AND 2.54um MIN MATTE TIN ON SOLDER TAILS.
 ALL PC BOARDS: HIGH TEMPERATURE PCB, TG>170°C
- MAGNETICS
 APPLICATION: 10/100 BASE-T
 IMPEDANCE: 100 OHMS
 TURNS RATIO (CHIP:CABLE): TX = 1:1, RX = 1:1
 OPEN CIRCUIT INDUCTANCE (OCL): 350uH MIN @100kHz, 0.1VRMS,
 8mADC BIAS FROM 0°C TO 70°C, TX AND RX
 PERFORMANCE @ 25°C:
 INSERTION LOSS (IL): 1.1dB MAX FROM 0.5MHz TO 100MHz
 RETURN LOSS (RL): 18dB MIN FROM 0.5MHz TO 30MHz
 18-20LOG(f/30)dB MIN FROM 30.1MHz TO 60MHz
 12dB MIN FROM 60.1MHz TO 80MHz
 CROSSTALK ATTENUATION: 35dB MIN FROM 0.5MHz TO 40MHz
 33-20LOG(f/50)dB MIN FROM 40.1MHz TO 100MHz
 COMMON MODE REJECTION RATIO (CMRR): 30dB MIN FROM 0.5MHz TO 100MHz
 ISOLATION VOLTAGE: 2250VDC(MAX) FOR 60 SECONDS WITH A RISE TIME OF
 500V/SEC AND WITH ALL PORTS CONNECTED.
- PART NUMBER, DATE CODE AND COUNTRY OF ORIGIN ARE LOCATED IN APPROXIMATE AREA SHOWN.
- TRP CONNECTOR LOGO AND AGENCY APPROVAL LOGO ARE LOCATED IN APPROXIMATE AREA SHOWN.
- OPERATING TEMP: FROM 0°C TO +70°C.
- RJ45 CAVITY CONFORMS TO FCC RULES AND REGULATION PART 68 SUBPART F.
- INDICATED MAGNETIC CONNECTIONS ARE SYMMETRICAL AND SUPPORT AUTO-MDI/MDIX.
- DATUM AND BASIC DIMENSION ESTABLISHED BY CUSTOMER.
- BASIC DIMENSION ESTABLISHED BY CUSTOMER, BUT MAY NOT BE GREATER THAN 5.08mm.
- THE PARTS ARE RECOMMENDED FOR WAVE SOLDERING PROCESS, PEAK TEMPERATURE 260°C MAX, 10 SECONDS MAX.

S893 10/100 CIRCUIT

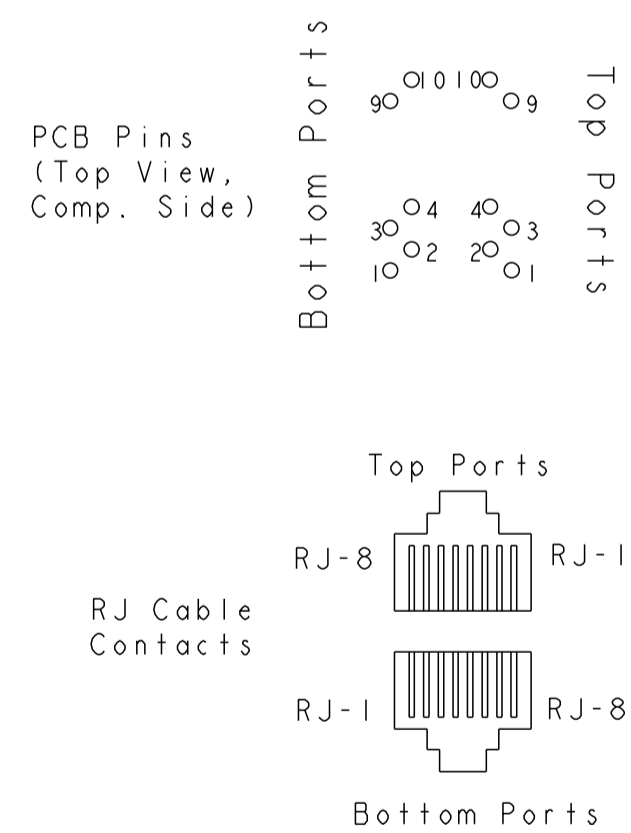
TOP AND BOTTOM PORTS



C1 = 1000pF, 2KV, ±10%, X7R DECOUPLING CAP
 C2 - C3 = 10nF, 50V ±10% CAPACITORS
 R1 - R4 = 75 Ohms, 1/16 W, ±5% RESISTORS

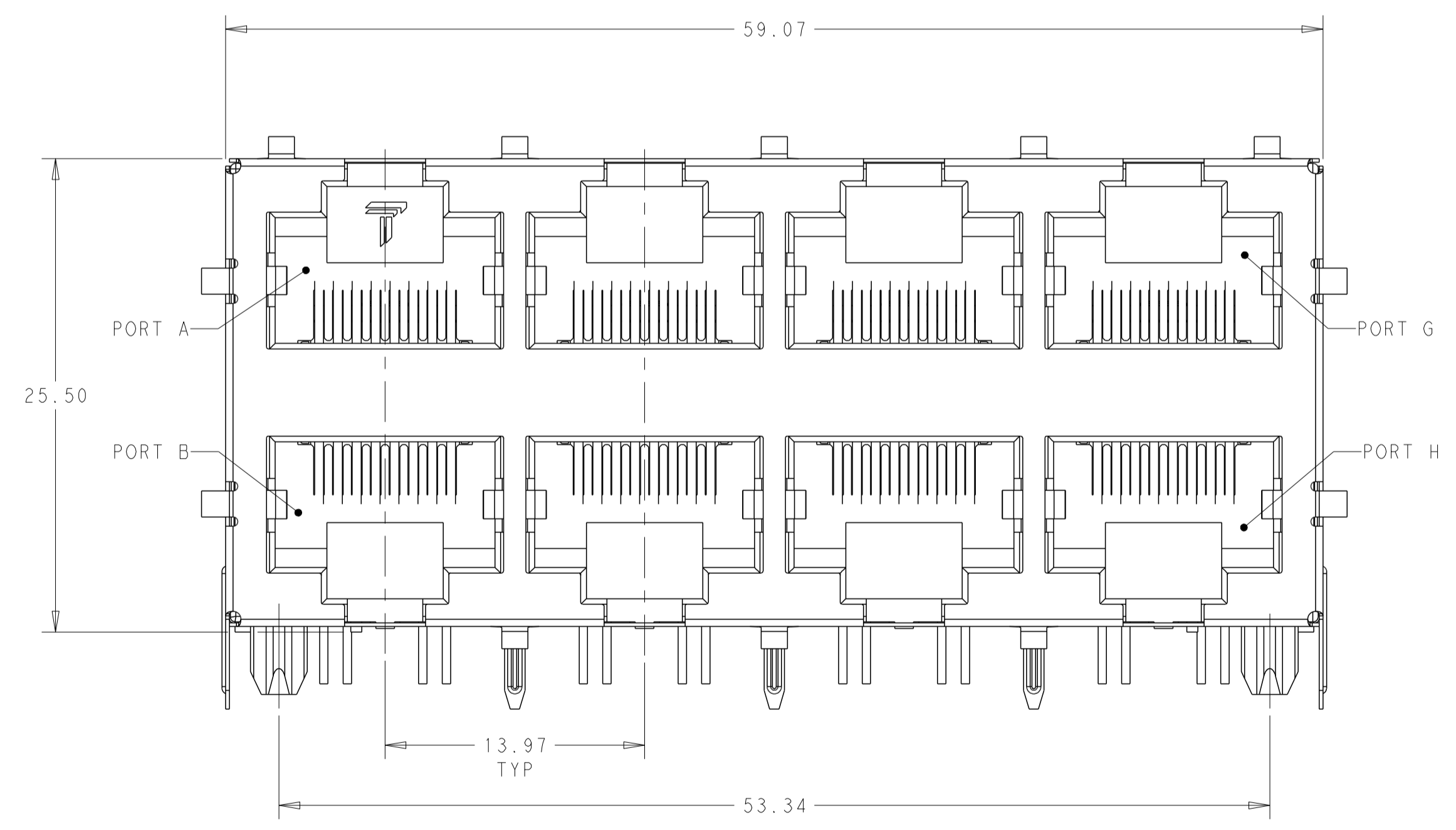
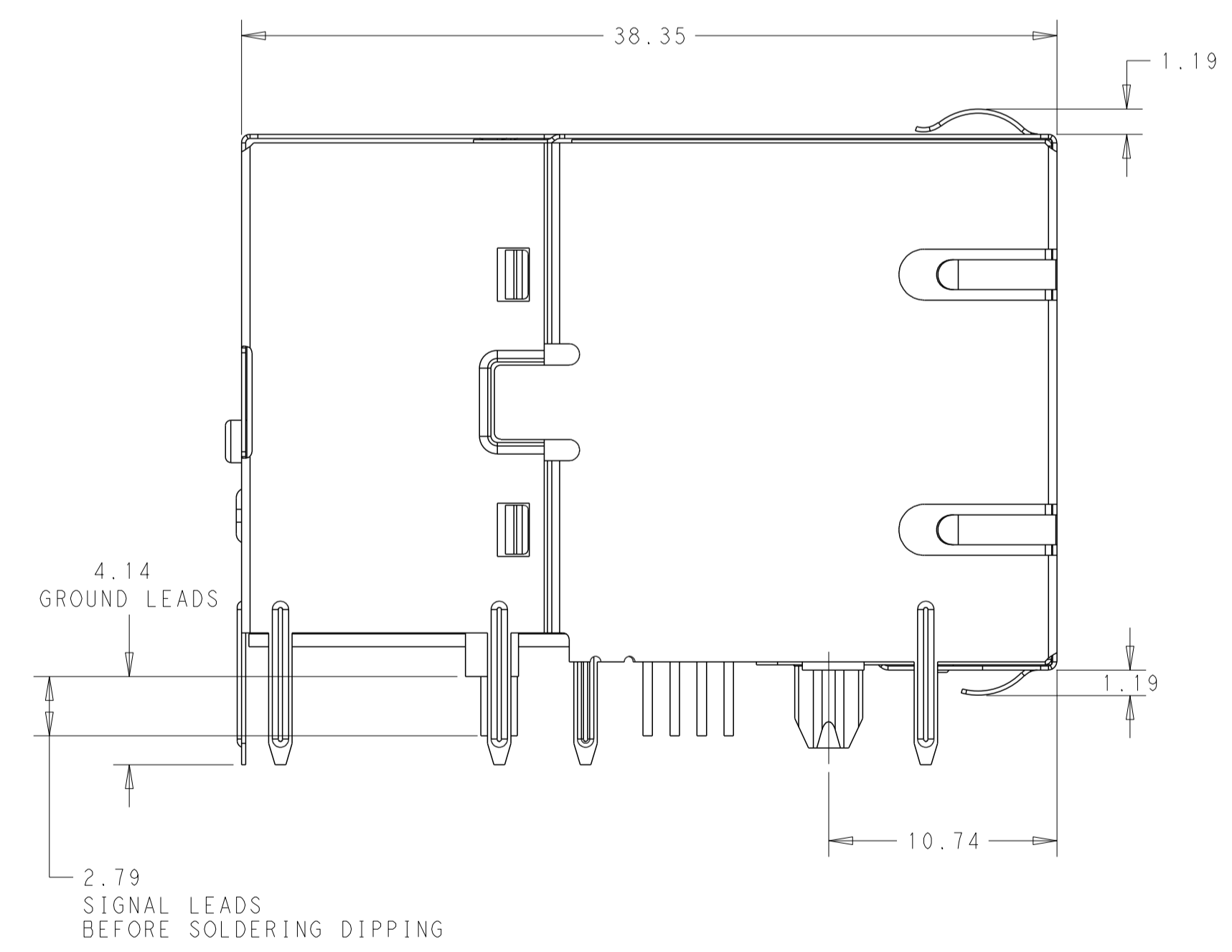
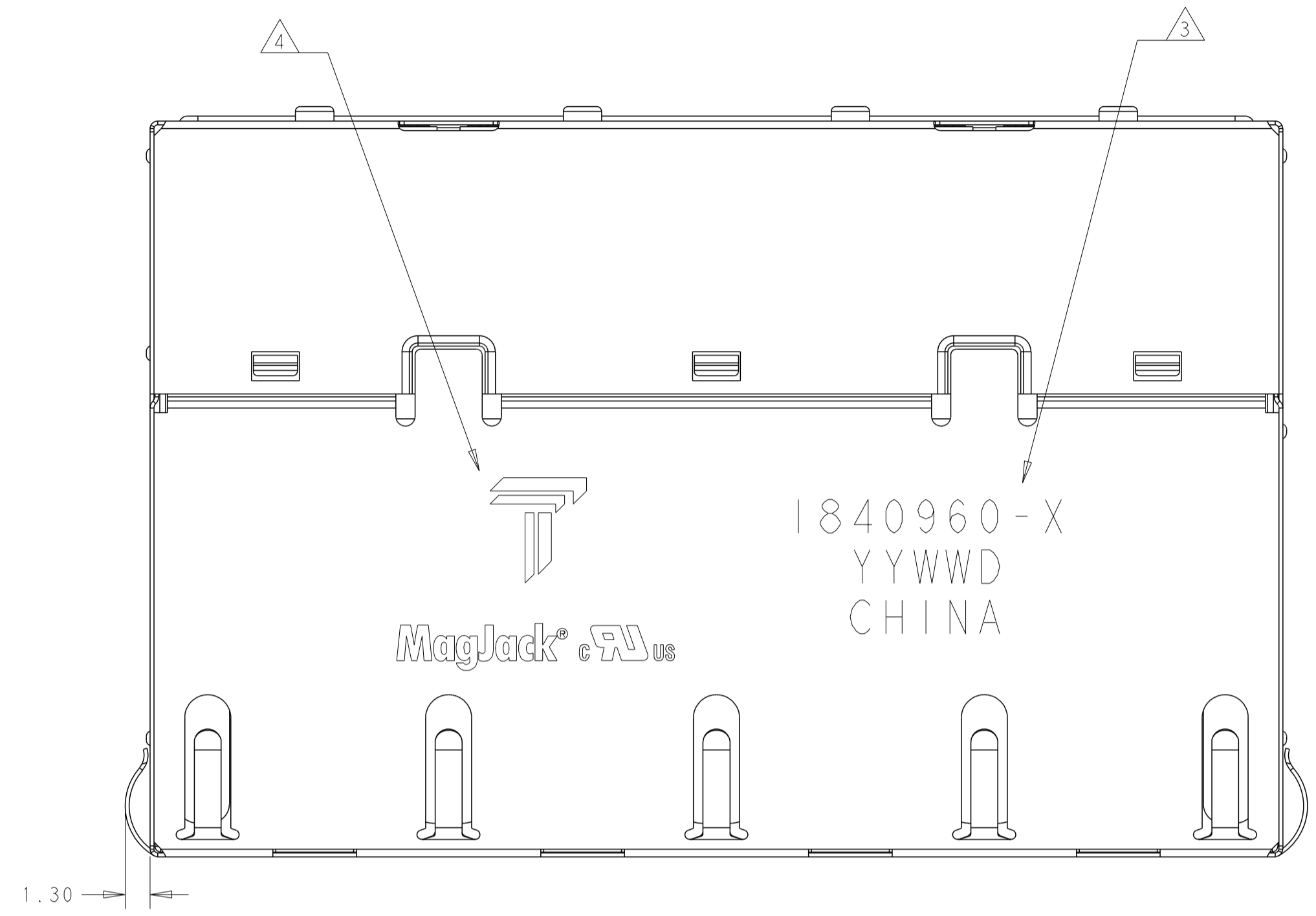
Pin Designations

(Repeat for each vertical pair of ports.)

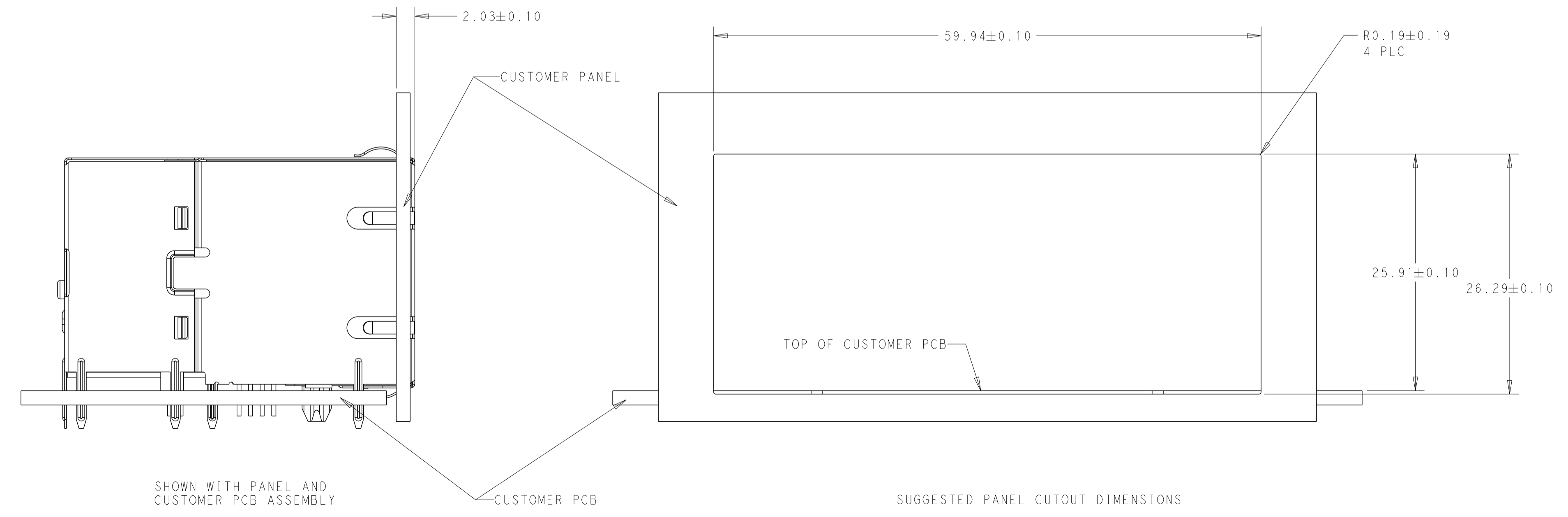
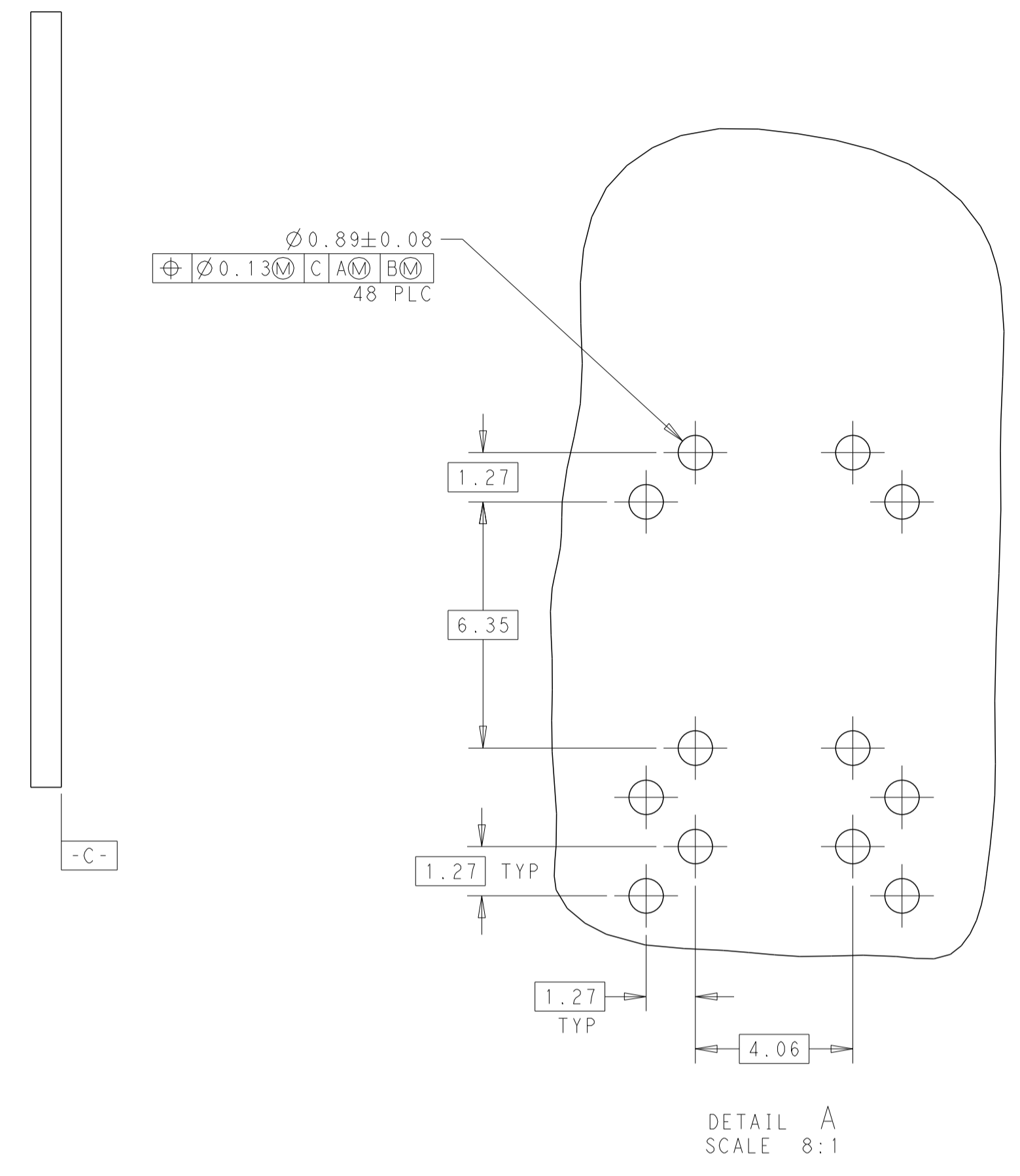
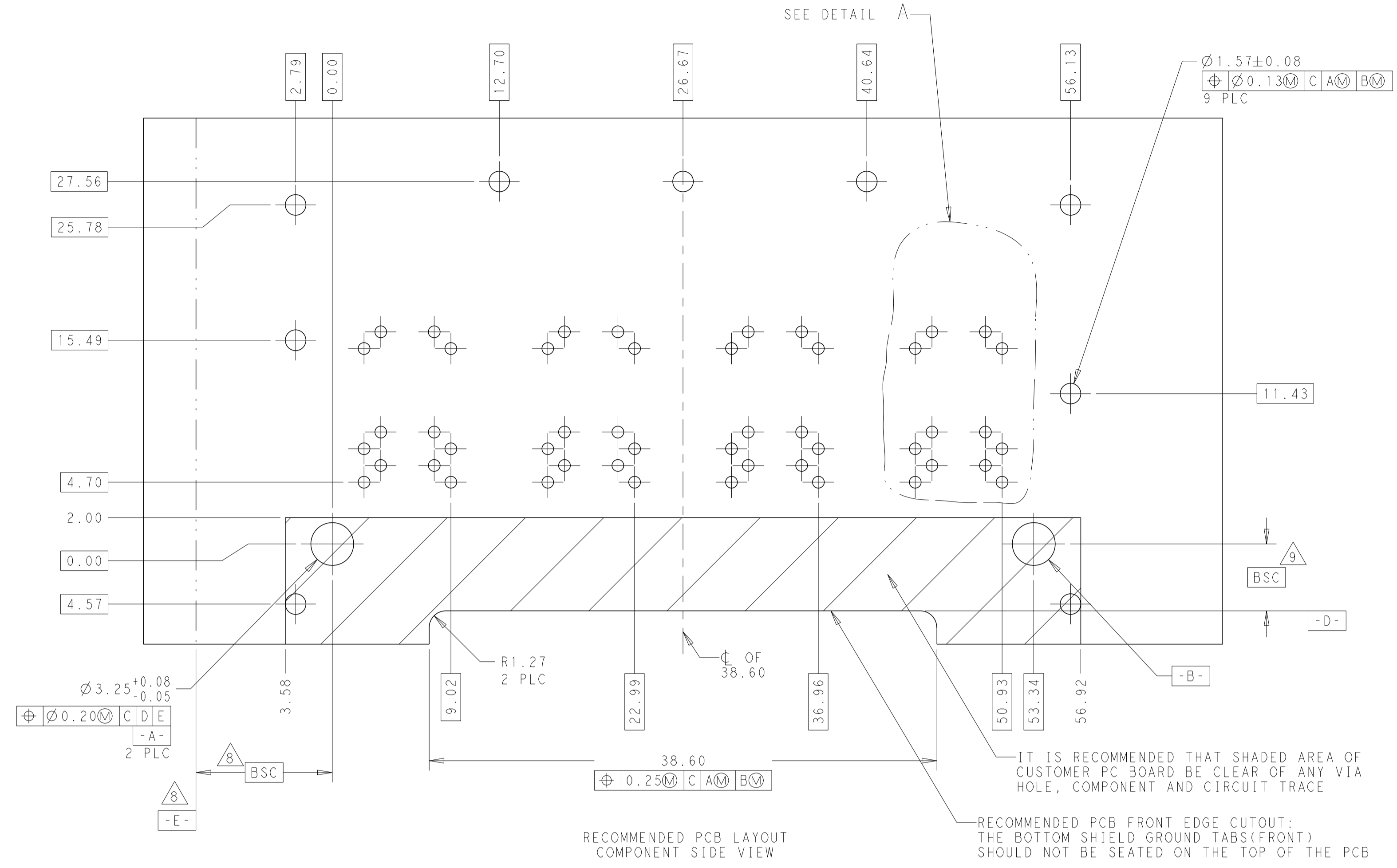


1840960-1
PART NUMBER

THIS DRAWING IS A CONTROLLED DOCUMENT.		DRW: TOMMY REN 08MAY2010	 DONGGUAN CHINA													
DIMENSIONS: mm		CHK: TONY YUAN 08MAY2010														
<table border="1"> <tr><th colspan="2">TOLERANCES UNLESS OTHERWISE SPECIFIED:</th></tr> <tr><td>0 PLC</td><td>±0.25</td></tr> <tr><td>1 PLC</td><td>±0.25</td></tr> <tr><td>2 PLC</td><td>±0.25</td></tr> <tr><td>3 PLC</td><td>±0.25</td></tr> <tr><td>4 PLC</td><td>±</td></tr> <tr><td>ANGLES</td><td>±</td></tr> </table>		TOLERANCES UNLESS OTHERWISE SPECIFIED:		0 PLC	±0.25	1 PLC	±0.25	2 PLC	±0.25	3 PLC	±0.25	4 PLC	±	ANGLES	±	APVD: KEITH ZHU 08MAY2010
TOLERANCES UNLESS OTHERWISE SPECIFIED:																
0 PLC	±0.25															
1 PLC	±0.25															
2 PLC	±0.25															
3 PLC	±0.25															
4 PLC	±															
ANGLES	±															
PRODUCT SPEC: 108-104004	APPLICATION SPEC: -	MODEL NAME: MAGJACK STACK Non-PoE	DESC: 2X4 S893 10/100 W/O LED													
CUSTOMER DRAWING		SIZE: A1	RESTRICTED TO: -													
SCALE: 4:1		SHEET: 1	REV: 5													



THIS DRAWING IS A CONTROLLED DOCUMENT.		DWR: TOMMY REN 08MAY2010 CHK: TONY YUAN 08MAY2010 APVD: KEITH ZHU 08MAY2010 MODEL NAME:	DONGGUAN CHINA	
DIMENSIONS: mm	TOLERANCES UNLESS OTHERWISE SPECIFIED: 0 PLC ±0.25 1 PLC ±0.25 2 PLC ±0.25 3 PLC ± 4 PLC ± ANGLES ± PRODUCT SPEC APPLICATION SPEC ±	MODEL NAME: MAGJACK STACK Non-PoE		DESC: 2X4 S893 10/100 W/O LED SIZE: A1 CAGE CODE: C=1840960 DRAWING NO: 108-104004 RESTRICTED TO: -
CUSTOMER DRAWING		SCALE: 4:1	SHEET 2 OF 3	REV 5



THIS DRAWING IS A CONTROLLED DOCUMENT.		DWN: TOMMY REN 08MAY2010 CHK: TONY YUAN 08MAY2010 APVD: KEITH ZHU 08MAY2010	DONGGUAN CHINA
DIMENSIONS: mm 	TOLERANCES UNLESS OTHERWISE SPECIFIED: 0 PLC ±0.25 1 PLC ±0.25 2 PLC ±0.25 3 PLC ±0.25 4 PLC ±0.25 ANGLES ±°	MODEL NAME: MAGJACK DESC: STACK Non-PoE	
PRODUCT SPEC: 108-104004	APPLICATION SPEC:	CUSTOMER DRAWING	RESTRICTED TO: - SCALE: 4:1 SHEET 3 OF 3 REV 5