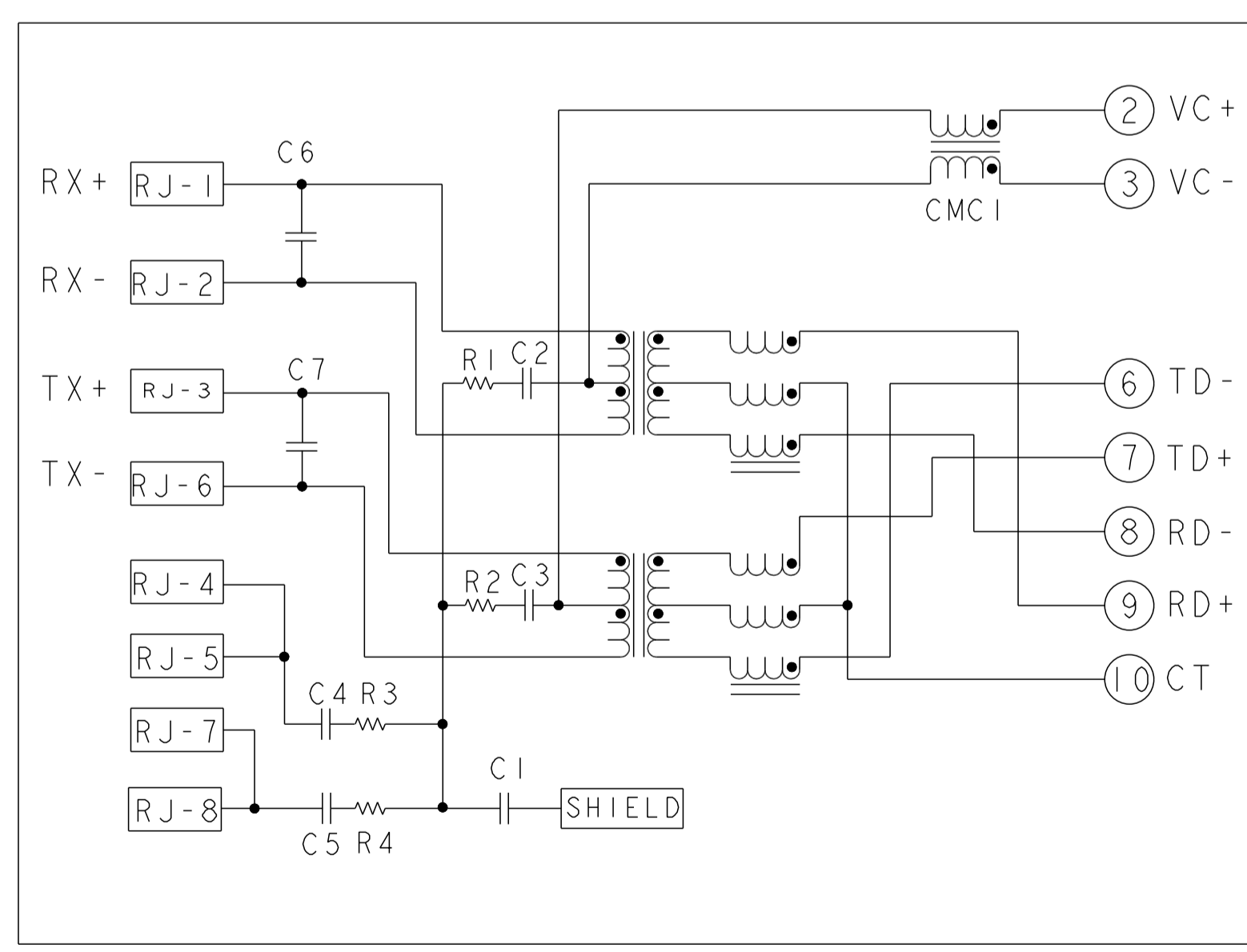


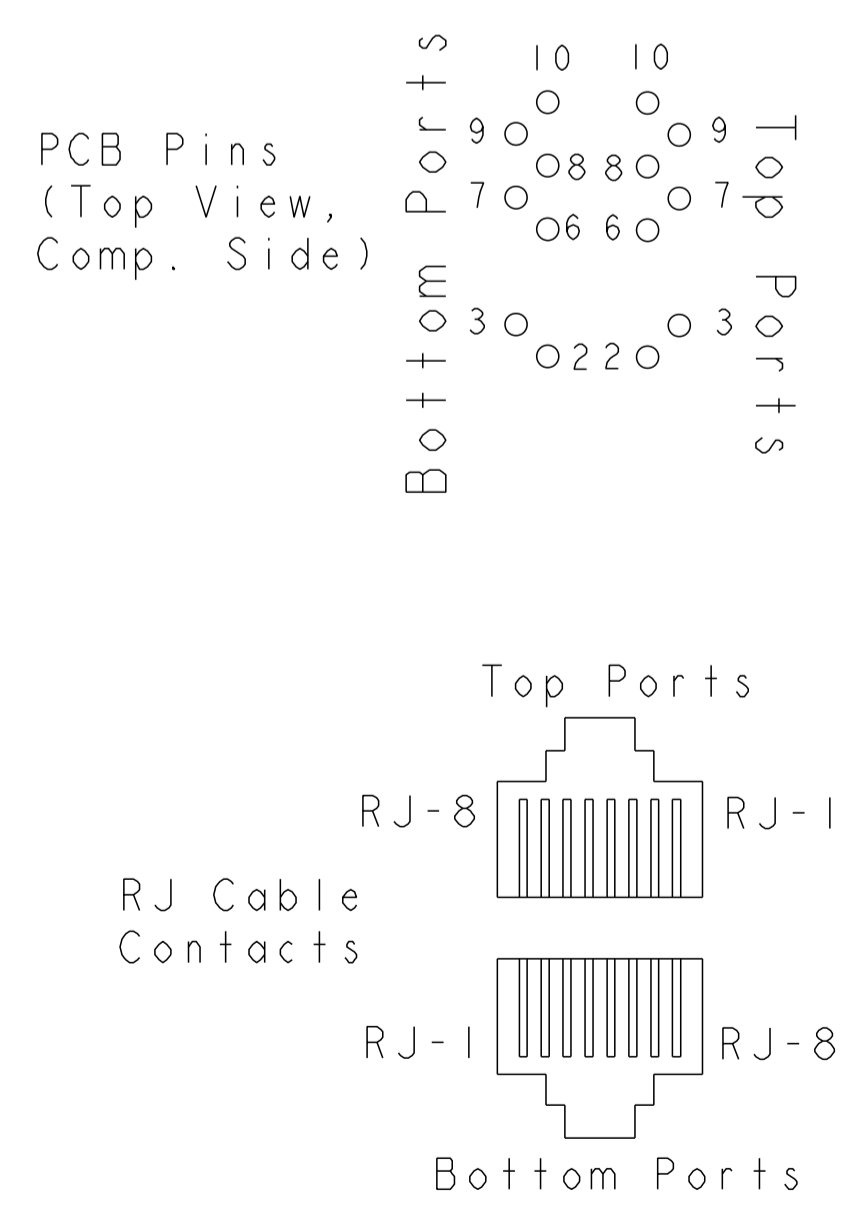
- MATERIALS:**
 PLASTIC HOUSING: BLACK, THERMOPLASTIC FLAMMABILITY RATING UL 94V-0
 SHIELD: BRASS, PREPLATED WITH 0.76um MIN SEMI-BRIGHT NICKEL,
 POST DIPPED WITH 2.54um MIN SAC SOLDER ON SOLDER TAILS,
 CONTACTS: PHOSPHOR BRONZE, 1.27um MIN OVERALL NICKEL
 UNDERPLATE WITH SELECTED 1.27um MIN GOLD AT MATING INTERFACE
 AND 2.54um MIN MATTE TIN ON SOLDER TAILS.
 ALL PC BOARDS: HIGH TEMPERATURE PCB, TG>170°C
- MAGNETICS**
 APPLICATION: 10/100 BASE-T, PoE
 IMPEDANCE: 100 OHMS
 TURNS RATIO (CHIP:CABLE): TX = 1:1, RX = 1:1
 OPEN CIRCUIT INDUCTANCE (OCL): 350uH MIN @100kHz, 0.1VRMS,
 8mADC BIAS FROM 0°C TO 70°C, TX AND RX
 POE CURRENT: 350mADC MAX
 PERFORMANCE @ 25°C:
 INSERTION LOSS (IL): 1.1dB MAX FROM 0.5MHz TO 100MHz
 RETURN LOSS (RL): 18dB MIN FROM 0.5MHz TO 30MHz
 18-20LOG(f/30)dB MIN FROM 30.1MHz TO 60MHz
 12dB MIN FROM 60.1MHz TO 80MHz
 CROSSTALK ATTENUATION: 35dB MIN FROM 0.5MHz TO 40MHz
 33-20LOG(f/50)dB MIN FROM 40.1MHz TO 100MHz
 COMMON MODE REJECTION RATIO (CMRR): 30dB MIN FROM 0.5MHz TO 100MHz
 ISOLATION VOLTAGE: 2250VDC(MAX) FOR 60 SECONDS WITH A RISE TIME OF
 500V/SEC AND WITH ALL PORTS CONNECTED.
- PART NUMBER, DATE CODE AND COUNTRY OF ORIGIN ARE LOCATED IN
 APPROXIMATE AREA SHOWN. DATE CODE: YYWW "YY" IS YEAR,
 "WW" IS WORK WEEK, "D" IS DAY OF WEEK, WITH SUNDAY=1
- TRP CONNECTOR LOGO AND AGENCY APPROVAL LOGO ARE
 LOCATED IN APPROXIMATE AREA SHOWN.
- OPERATING TEMP: FROM 0°C TO +70°C.
- RJ45 CAVITY CONFORMS TO FCC RULES AND REGULATION PART 68 SUBPART F.
- INDICATED MAGNETIC CONNECTIONS ARE SYMMETRICAL AND
 SUPPORT AUTO-MDI/MDIX.
- DATUM AND BASIC DIMENSION ESTABLISHED BY CUSTOMER.
- BASIC DIMENSION ESTABLISHED BY CUSTOMER, BUT MAY NOT BE
 GREATER THAN 5.08mm.
- THE PARTS ARE RECOMMENDED FOR WAVE SOLDERING PROCESS,
 PEAK TEMPERATURE 260°C MAX, 10 SECONDS MAX.

S8V21 10/100 BASE-T POE CIRCUIT
TOP AND BOTTOM PORTS

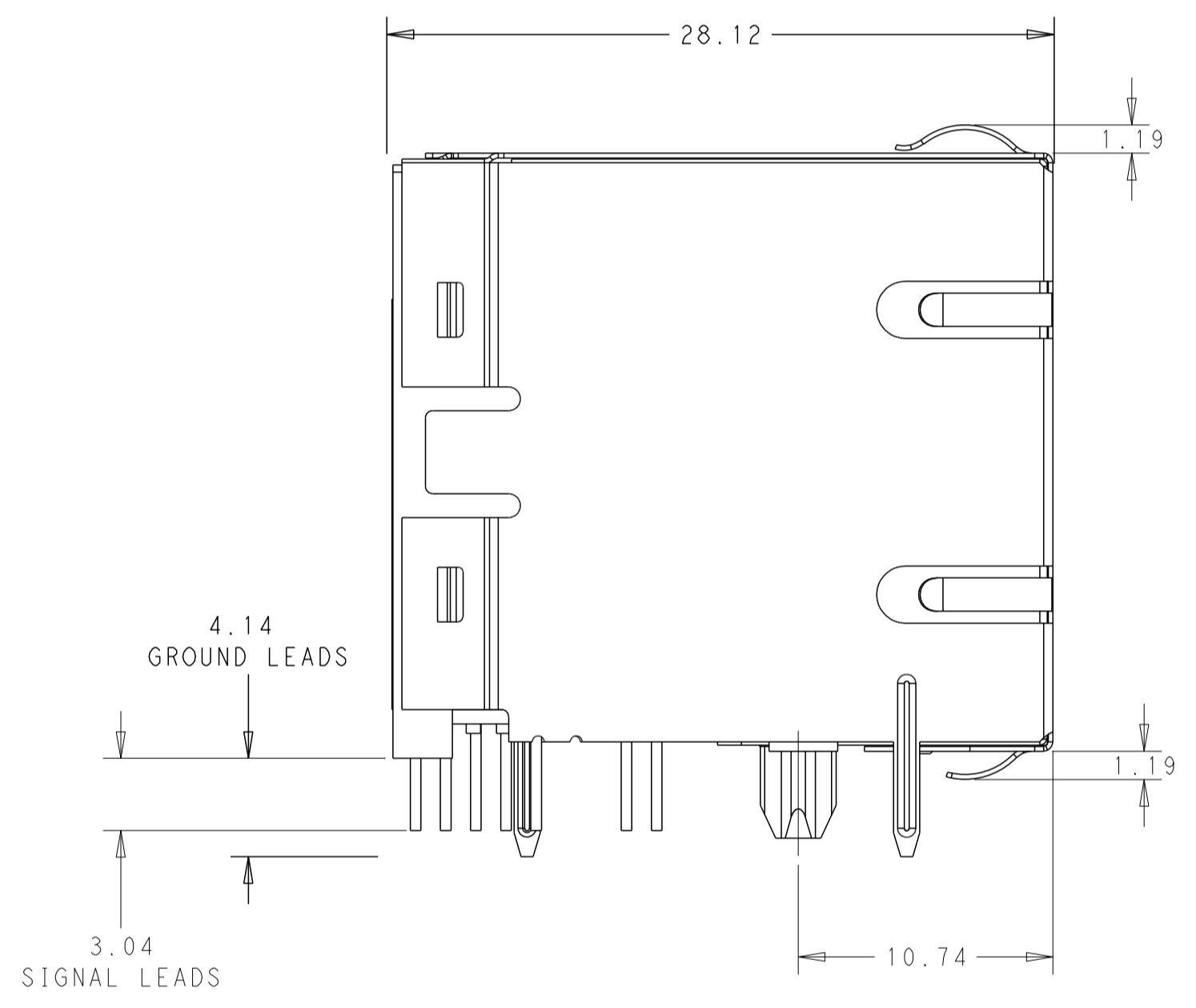
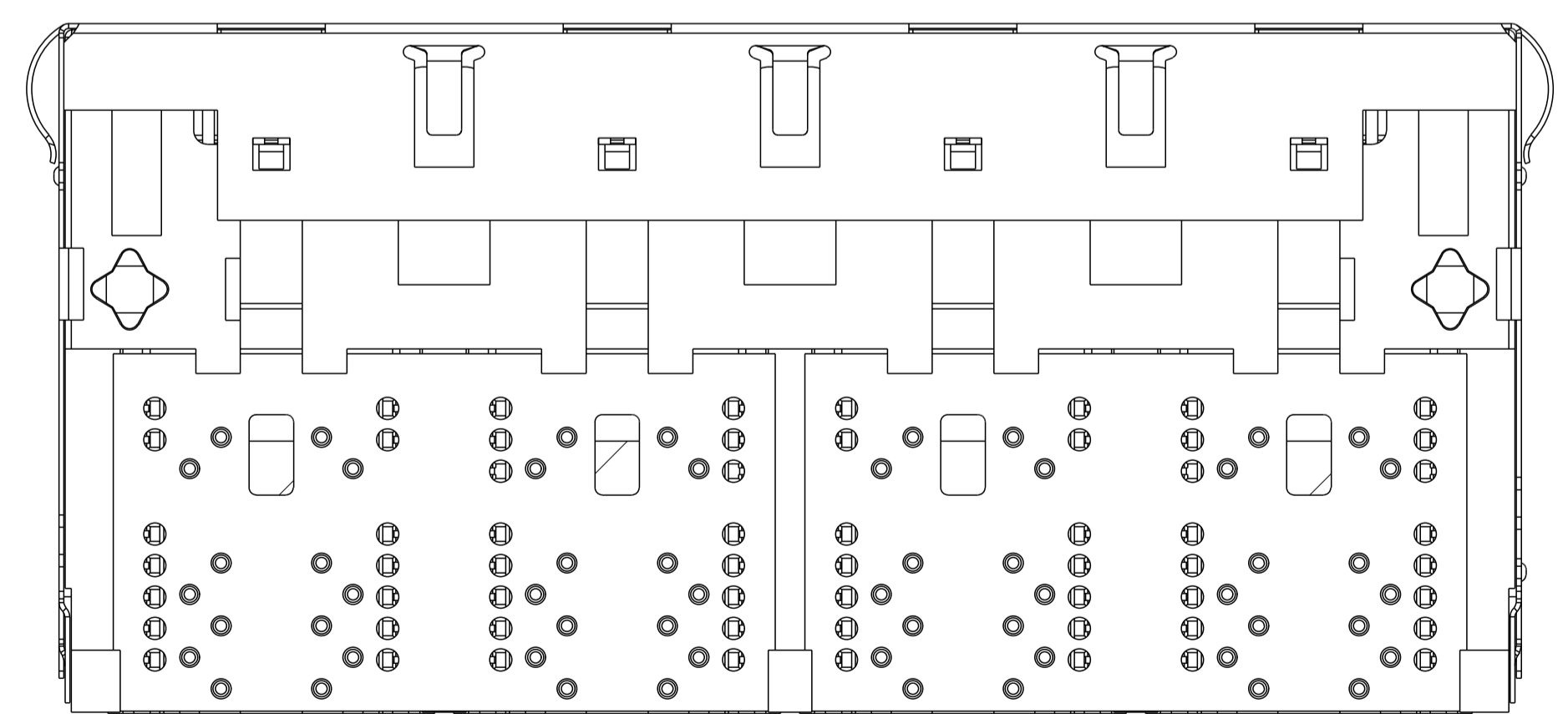
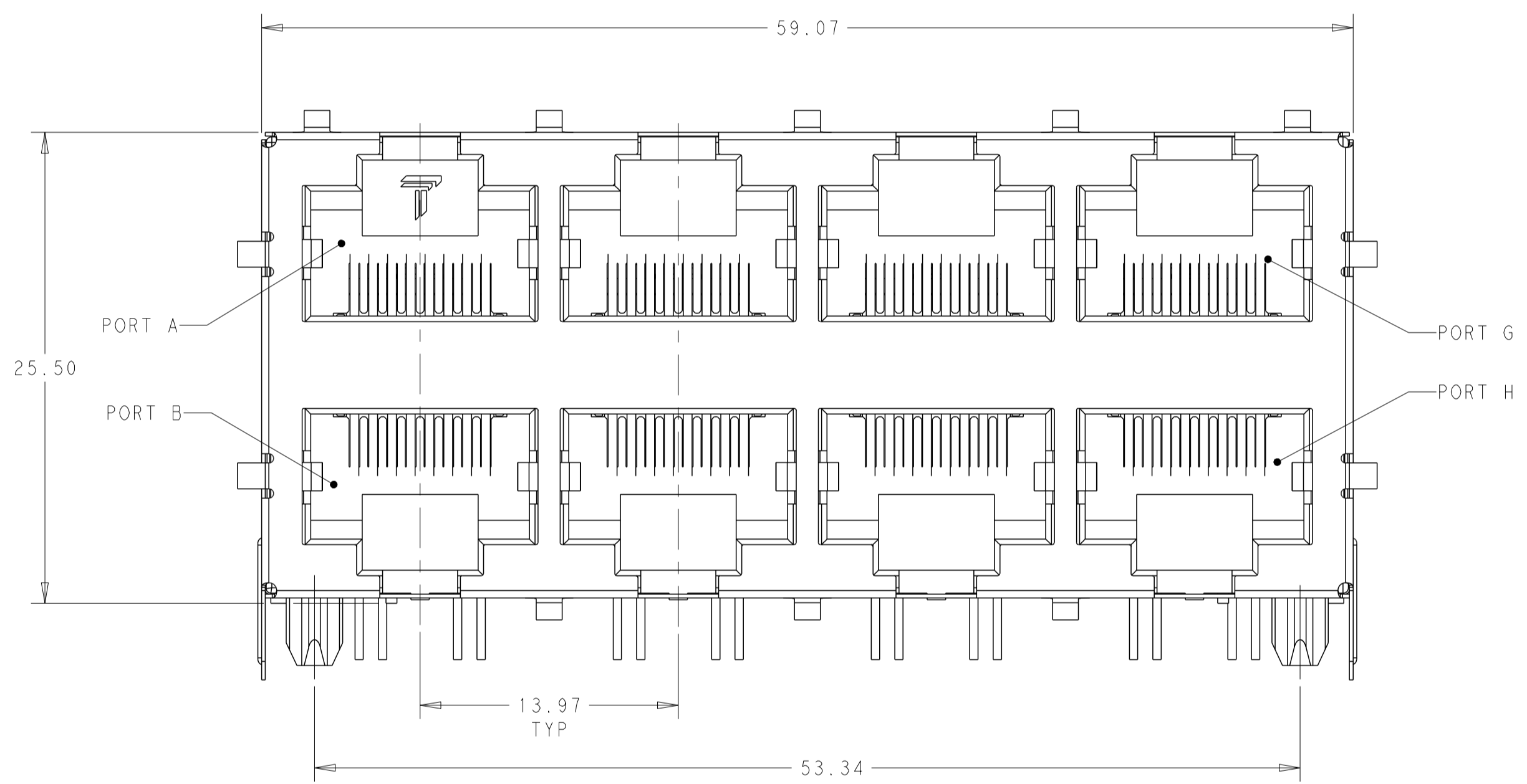
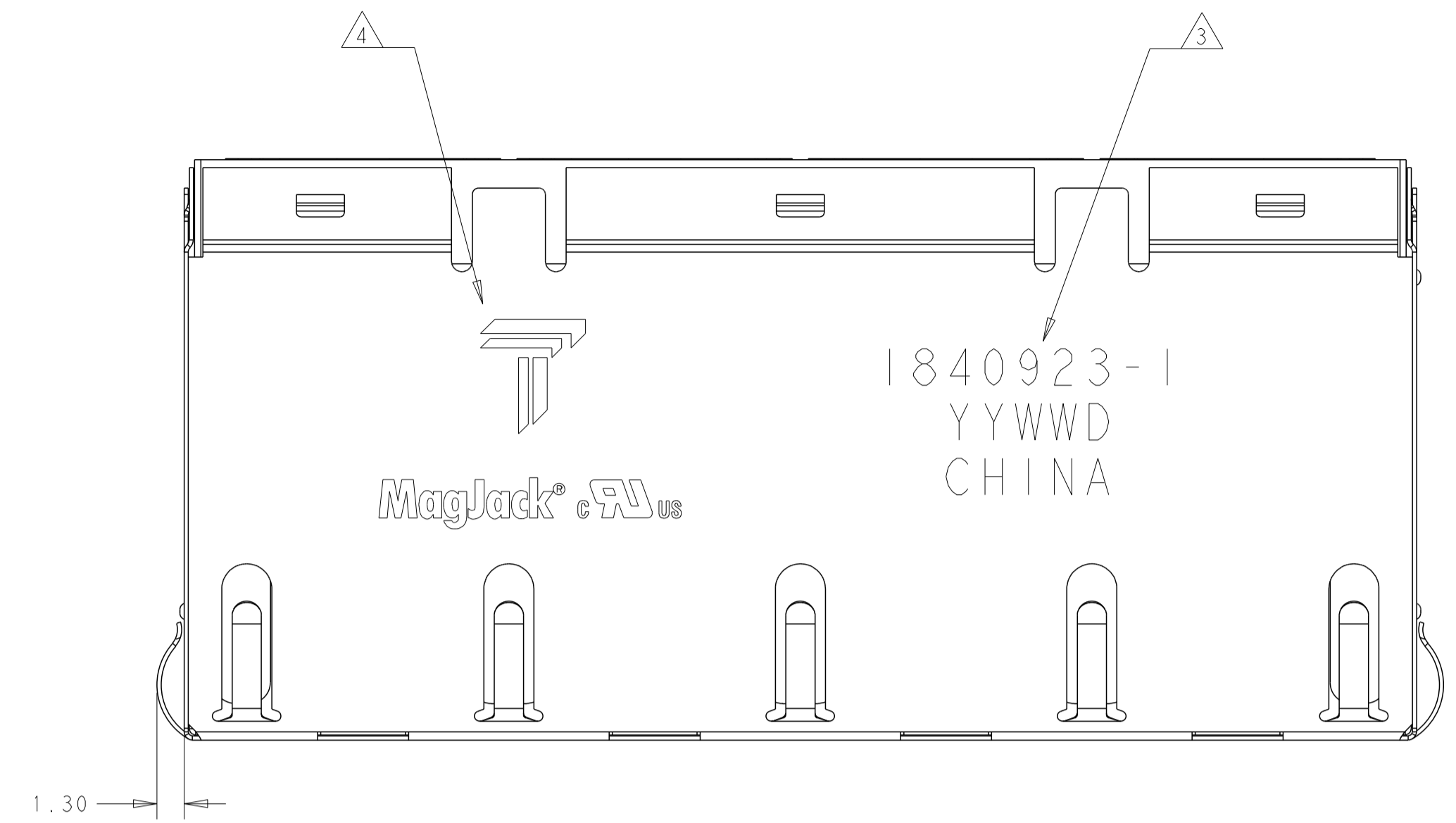


C1 = 1000pF, 2KV, ±10%, X7R DECOUPLING CAPACITOR
 C2 - C5 = 0.022uF, 10%, 100V CAPACITORS
 C6 - C7 = 3.3 PF, 10%, 16V CAPACITORS
 R1-R4 = 75 Ohms, 1/16 W, ±5% RESISTORS

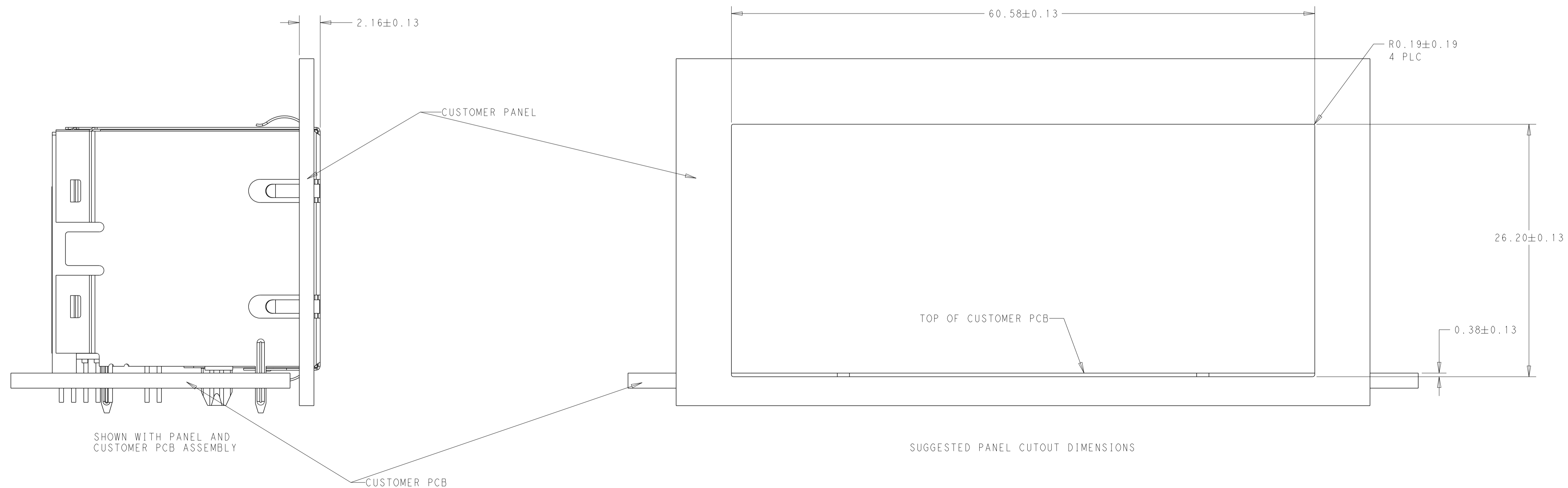
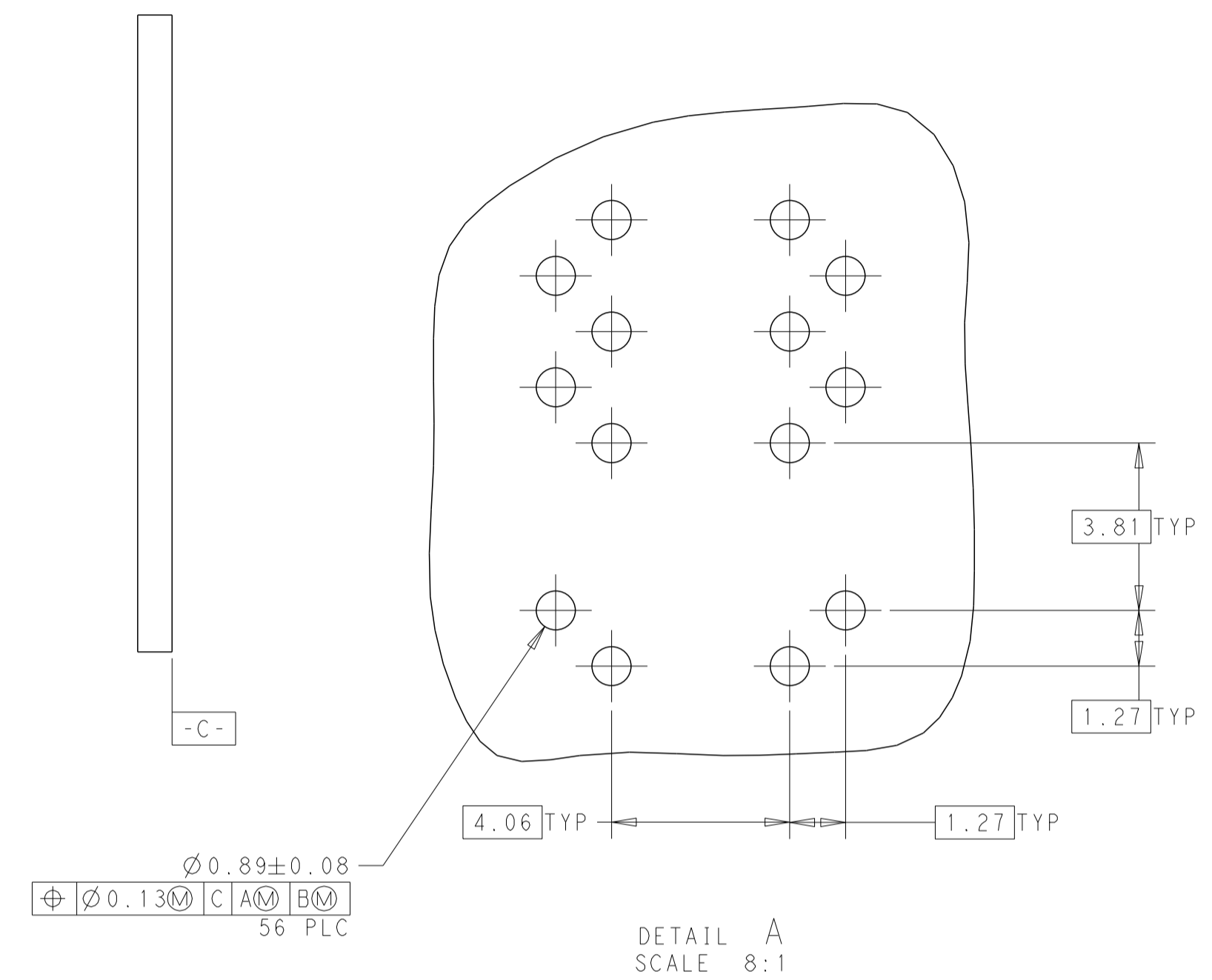
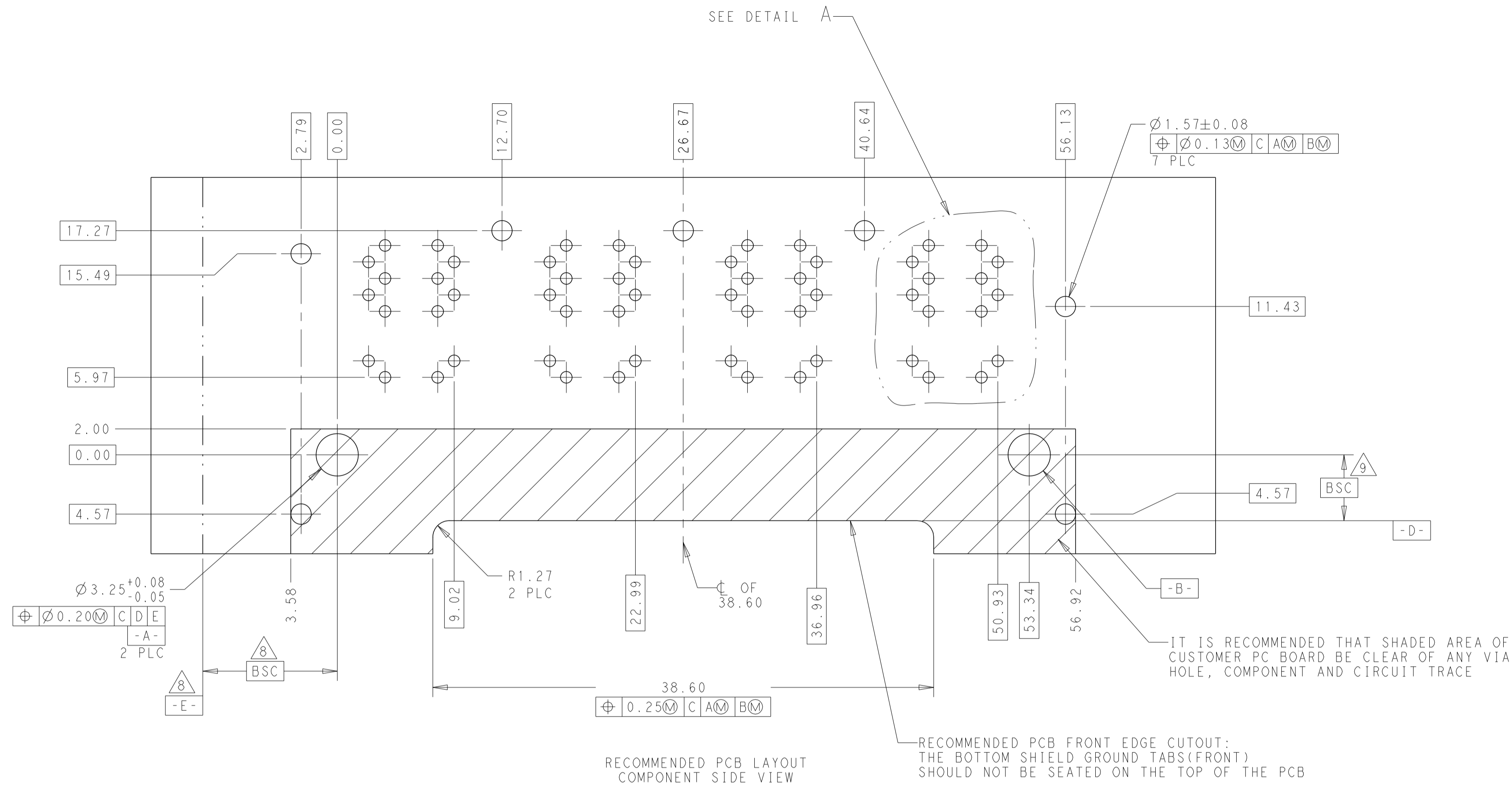
Pin Designations
(Repeat for each vertical pair of ports.)



THIS DRAWING IS A CONTROLLED DOCUMENT.		DRW: SKY ZHAO 30DEC2009	DONGGUAN CHINA
DIMENSIONS: mm		CHK: TOMMY REN 30DEC2009	
TOLERANCES UNLESS OTHERWISE SPECIFIED: 0 PLC ±0.25 1 PLC ±0.25 2 PLC ±0.25 3 PLC ±0.25 4 PLC ± ANGLES ±		MODEL NAME: MAGJACK PRODUCT SPEC: STACK Non-PoE PRODUCT SPEC: 108-104004	
MODEL NAME: MAGJACK PRODUCT SPEC: STACK Non-PoE PRODUCT SPEC: 108-104004		DESC: 2X4 S8V21 10/100 PoE W/O LED SIZE: A1 CAGE CODE: 1840923 SCALE: 4:1	PART NUMBER: 1840923-1 SHEET 1 OF 3 REV D



THIS DRAWING IS A CONTROLLED DOCUMENT.		DRW: SKY ZHAO 30DEC2009	 trp CONNECTOR <small>a bel group</small>	DONGGUAN CHINA	
DIMENSIONS: mm		CHK: TOMMY REN 30DEC2009		DESC: 2X4 S8V21 10/100 PoE W/O LED	RESTRICTED TO
TOLERANCES UNLESS OTHERWISE SPECIFIED:		APP'D: KEITH ZHU 30DEC2009		SIZE: A1	CAGE CODE: C=1840923
0 PLC ±0.25 1 PLC ±0.25 2 PLC ±0.25 3 PLC ±0.25 4 PLC ± ANGLES ± PRODUCT SPEC 108-104004	TOLERANCES UNLESS OTHERWISE SPECIFIED: ±0.25 ±0.25 ±0.25 ± ± APPLICATION SPEC	MODEL NAME: MAGJACK STACK Non-PoE CUSTOMER DRAWING	SCALE: 4:1 SHEET: 2 OF 3 REV: D		



THIS DRAWING IS A CONTROLLED DOCUMENT.		DRW: SKY ZHAO 30DEC2009	 DONGGUAN CHINA
DIMENSIONS: mm		CHK: TOMMY REN 30DEC2009	
TOLERANCES UNLESS OTHERWISE SPECIFIED:		APPR: KEITH ZHU 30DEC2009	
0 PLC ±0.25 1 PLC ±0.25 2 PLC ±0.25 3 PLC ± 4 PLC ± ANGLES ± APPLICATION SPEC ±		MODEL NAME: MAGJACK	
PRODUCT SPEC: 108-104004		DESC: 2X4 S8V21 10/100 PoE W/O LED	RESTRICTED TO: -
		SIZE: A1	CAGE CODE: 1840923
		SCALE: 4:1	SHEET 3 OF 3 REV D