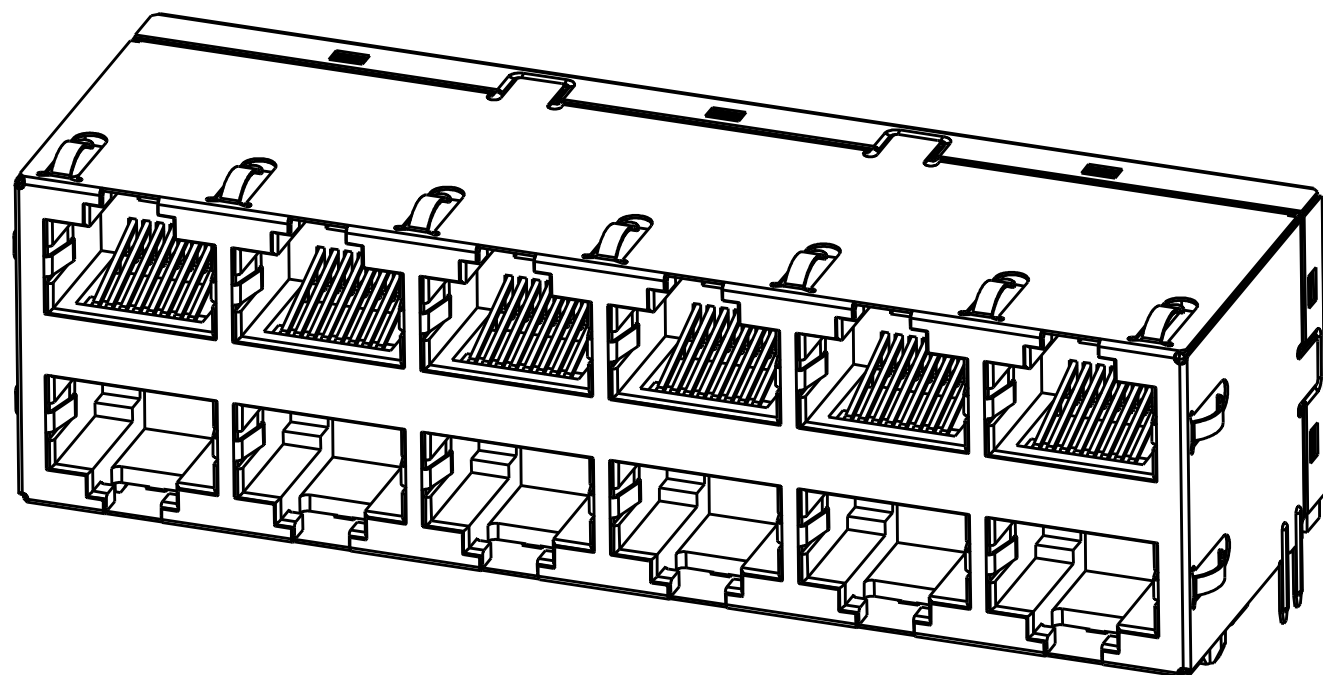


THIS DRAWING AND THE SUBJECT MATTER SHOWN THEREON ARE CONFIDENTIAL AND THE PROPERTY OF BEL/STEWART/TRP CONNECTOR AND SHALL NOT BE REPRODUCED, COPIED, OR USED IN ANY MANNER WITHOUT THE WRITTEN CONSENT OF TRP CONNECTOR.

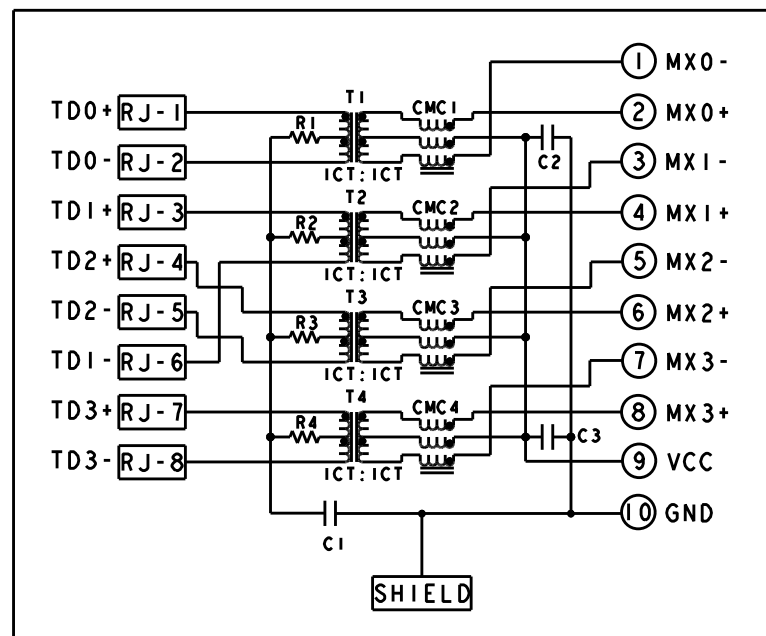
PRODUCT MAY BE PROTECTED BY ONE OR MORE OF THE FOLLOWING US PATENTS:
 5736910 5939955 6425781 6428361 6554638 6840817 7123117
 7429195 7717749 7808751 6217391 6149050 7924130

REVISONS				
NO.	DATE	DESCRIPTION	BY	APPV
G	21JAN2015	EC-1411035 COMPANY LOGO CHANGE	CZ	TY



S8G56 GIGABIT CIRCUIT

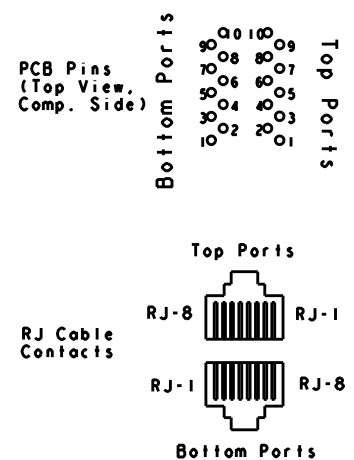
Top and Bottom Ports



C1 = 1000pF, 2kV Capacitor
 C2 - C3 = 10nF, 50V Capacitors
 R1-R4 = 75 Ohms, 1/16 W, Resistors

Pin Designations

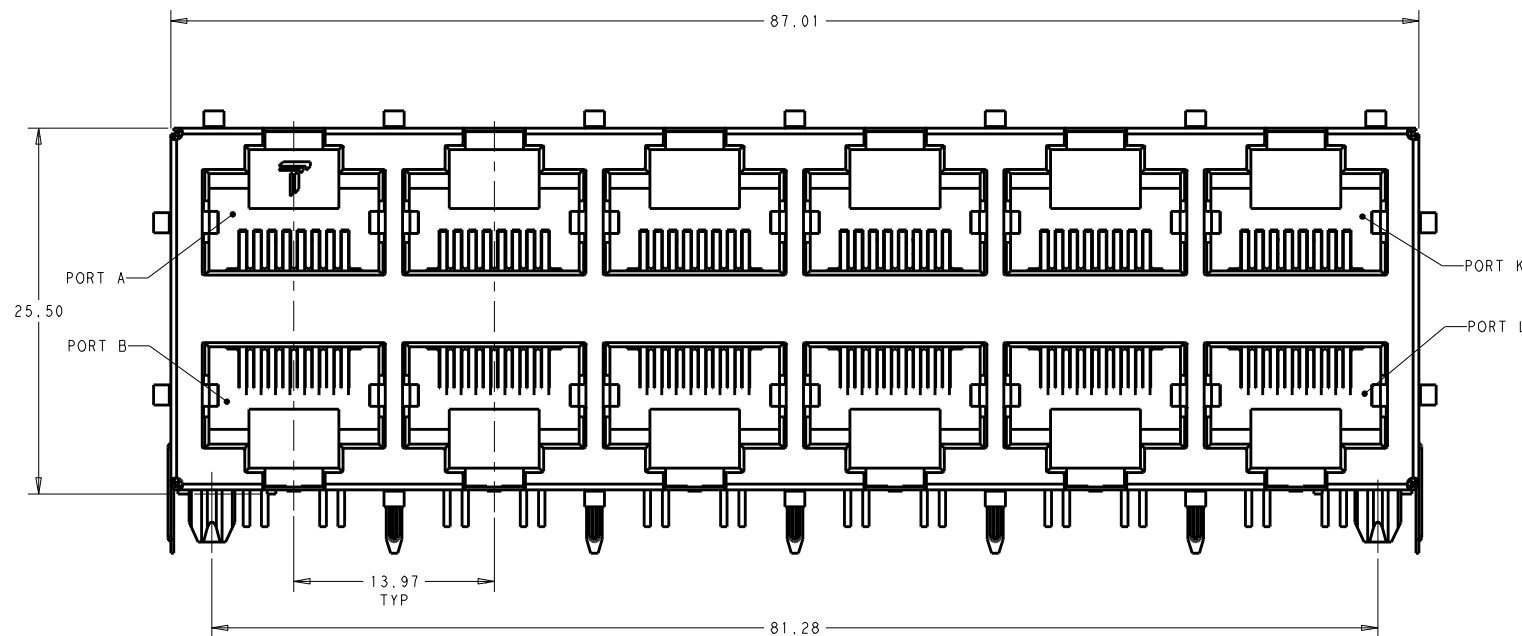
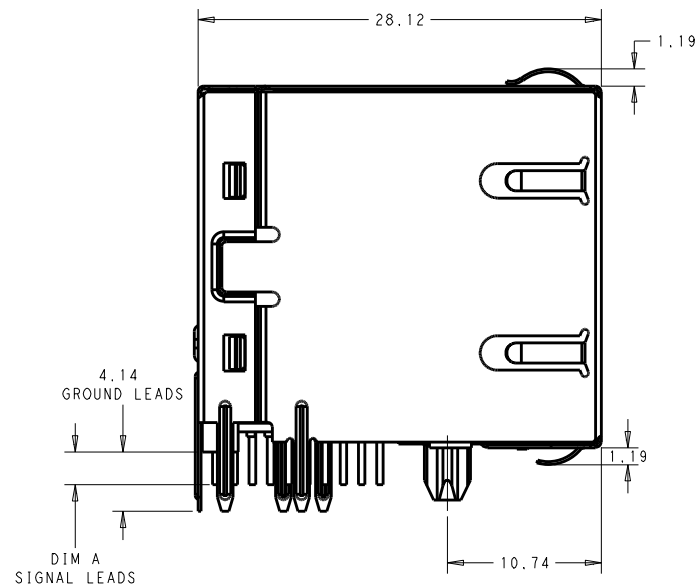
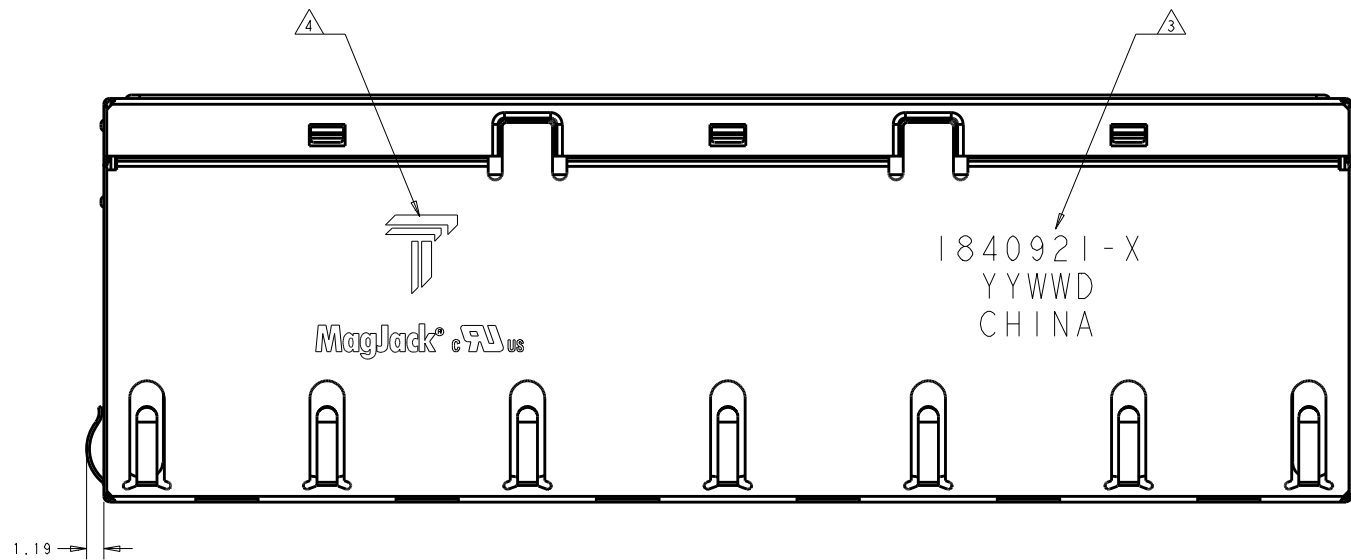
(Repeat for each vertical pair of ports.)



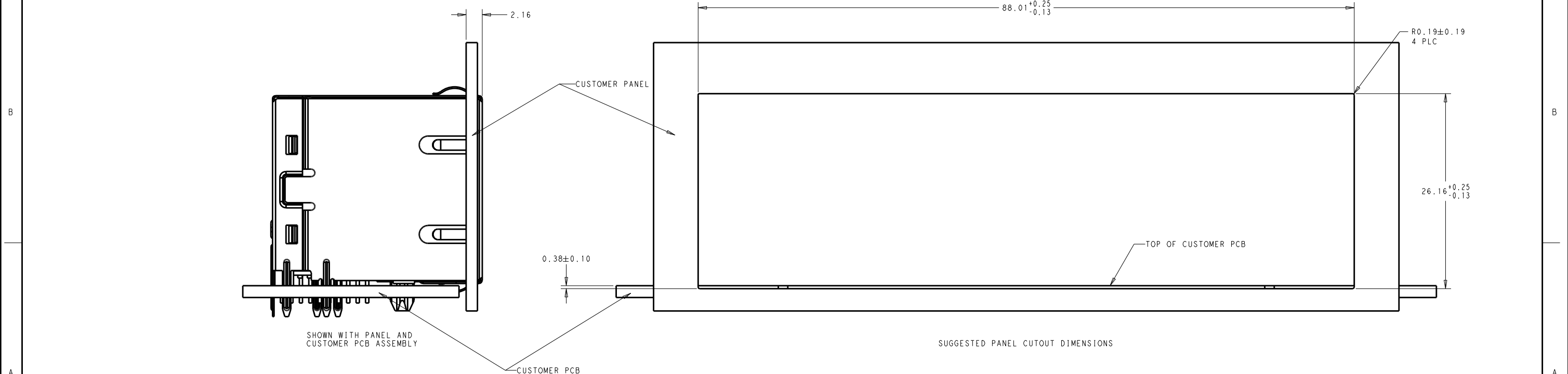
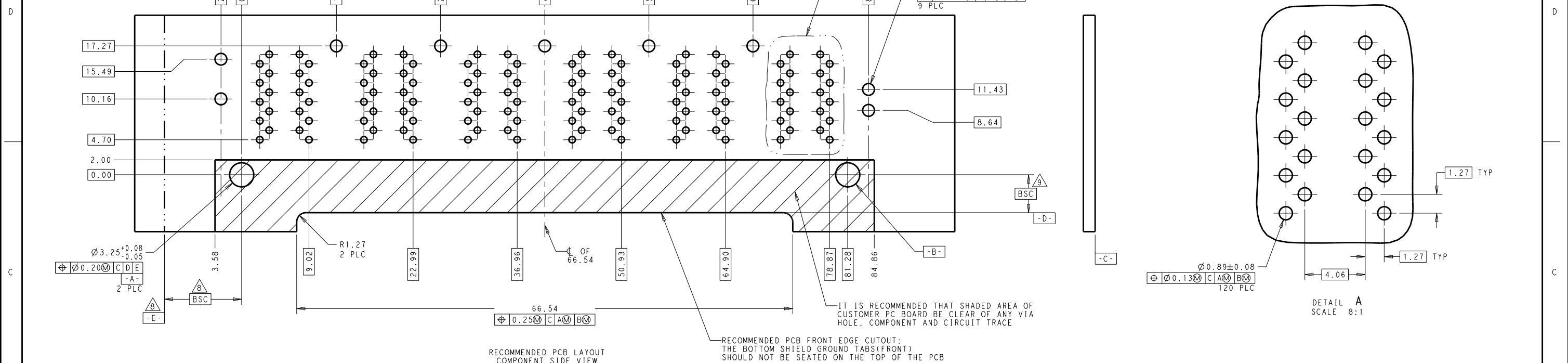
1. MATERIALS:
 HOUSING: BLACK, THERMOPLASTIC FLAMMABILITY RATING UL 94V-0
 SHIELD: BRASS, PREPLATED WITH 0.76um MIN SEMI-BRIGHT NICKEL, POST DIPPED WITH 2.54um MIN SAC SOLDER ON SOLDER TAILS.
 CONTACTS: PHOSPHOR BRONZE, 1.27um MIN OVERALL NICKEL UNDERPLATE WITH SELECT 1.27um MIN GOLD AT MATING INTERFACE AND 2.54um MIN MATTE TIN ON SOLDER TAILS.
 ALL PC BOARDS: HIGH TEMPERATURE PCB, TG>170°C
- ⚠ MAGNETICS
 APPLICATION: 10/100/1000 BASE-T
 IMPEDANCE: 100 OHMS
 TURNS RATIO (CHIP:CABLE): 1:1 ALL FOUR PAIRS
 OPEN CIRCUIT INDUCTANCE (OCL): 350uH MIN @100kHz, 0.1VRMS, 8mADC BIAS FROM 0°C TO 70°C, ALL FOUR PAIRS
 ALL FOUR PAIRS BI-DIRECTIONAL
 PERFORMANCE @ 25°C:
 INSERTION LOSS (IL): 1.1dB MAX FROM 0.5MHz TO 100MHz
 RETURN LOSS (RL): 18dB MIN FROM 0.5MHz TO 40MHz
 12-20LOG(f/80)dB MIN FROM 40.1MHz TO 100MHz
 CROSSTALK ATTENUATION: 35dB MIN FROM 0.5MHz TO 40MHz
 33-20LOG(f/50)dB MIN FROM 40.1MHz TO 100MHz
 COMMON MODE REJECTION RATIO (CMRR): 30dB MIN FROM 0.5MHz TO 100MHz
 ISOLATION VOLTAGE: 2250VDC(MAX) FOR 60 SECONDS WITH A RISE TIME OF 500V/SEC AND WITH ALL PORTS CONNECTED.
- ⚠ PART NUMBER, DATE CODE AND COUNTRY OF ORIGIN ARE LOCATED IN APPROXIMATE AREA SHOWN. DATE CODE: YYWW "YY" IS YEAR, "WW" IS WORK WEEK, "D" IS DAY OF WEEK, WITH SUNDAY=1
- ⚠ TRP CONNECTOR LOGO AND AGENCY APPROVAL LOGO ARE LOCATED IN APPROXIMATE AREA SHOWN.
5. OPERATING TEMP: FROM 0°C TO +70°C.
6. RJ45 CAVITY CONFORMS TO FCC RULES AND REGULATION PART 68 SUBPART F.
- ⚠ INDICATED MAGNETIC CONNECTIONS ARE SYMMETRICAL AND SUPPORT AUTO-MDI/MDIX.
- ⚠ DATUM AND BASIC DIMENSION ESTABLISHED BY CUSTOMER.
- ⚠ BASIC DIMENSION ESTABLISHED BY CUSTOMER, BUT MAY NOT BE GREATER THAN 5.08mm.
10. THE PARTS ARE RECOMMENDED FOR WAVE SOLDERING PROCESS, PEAK TEMPERATURE 260°C MAX, 10 SECONDS MAX.

2.29	1840921-2
2.06	1840921-1
DIM A	PART NUMBER

THIS DRAWING IS A CONTROLLED DOCUMENT.		DWG: JAMISON CHEN 18JAN2010		trp CONNECTOR DONGGUAN CHINA	
DIMENSIONS: mm		CHK: TONY YUAN 18JAN2010		2X6 S8G56 GIGABIT W/O LED	
TOLERANCES UNLESS OTHERWISE SPECIFIED:		APVD: KELTH ZHU 18JAN2010		SIZE: A1	
0 PLC ±		MODEL NAME: MAGJACK		CAGE CODE: 1840921	
1 PLC ±		PRODUCT SPEC: 108-104004		DRAWING NO: 1840921	
2 PLC ±0.25		APPLICATION SPEC:		RESTRICTED TO: -	
3 PLC ±		Customer Drawing		SCALE: 4:1 SHEET 1 OF 3 REV: G	
4 PLC ±					



THIS DRAWING IS A CONTROLLED DOCUMENT.		DWN JAMISON CHEN 18JAN2010		trp CONNECTOR a bel group DONGGUAN CHINA
DIMENSIONS: mm		CHK TONY YUAN 18JAN2010		
TOLERANCES UNLESS OTHERWISE SPECIFIED:		APVD KELTH ZHU 18JAN2010		
	0 PLC ± 1 PLC ± 2 PLC ±0.25 3 PLC ± 4 PLC ± ANGLES ±	MODEL NAME	DESC	RESTRICTED TO
PRODUCT SPEC	APPLICATION SPEC	MAGJACK	2X6 S8G56 GIGABIT W/O LED	
108-104004	-	STACK NoN-PoE	SIZE CAGE CODE DRAWING NO	
		Customer Drawing	A1	1840921
			SCALE	SHEET 2 OF 3 REV G



THIS DRAWING IS A CONTROLLED DOCUMENT.		DWG JAMISON CHEN 18JAN2010		trp CONNECTOR DONGGUAN CHINA	
DIMENSIONS: mm		CHK TONY YUAN 18JAN2010		2X6 S8G56 GIGABIT W/O LED	
TOLERANCES UNLESS OTHERWISE SPECIFIED:		APVD KELTH ZHU 18JAN2010		SIZE CAGE CODE DRAWING NO	
0 PLC ± 1 PLC ± 2 PLC ±0.25 3 PLC ± 4 PLC ± ANGLES ±		MODEL NAME		RESTRICTED TO	
PRODUCT SPEC 108-104004		APPLICATION SPEC		MAGJACK STACK NoN-PoE	
		Customer Drawing		SCALE 4:1 SHEET 3 OF 3 REV G	