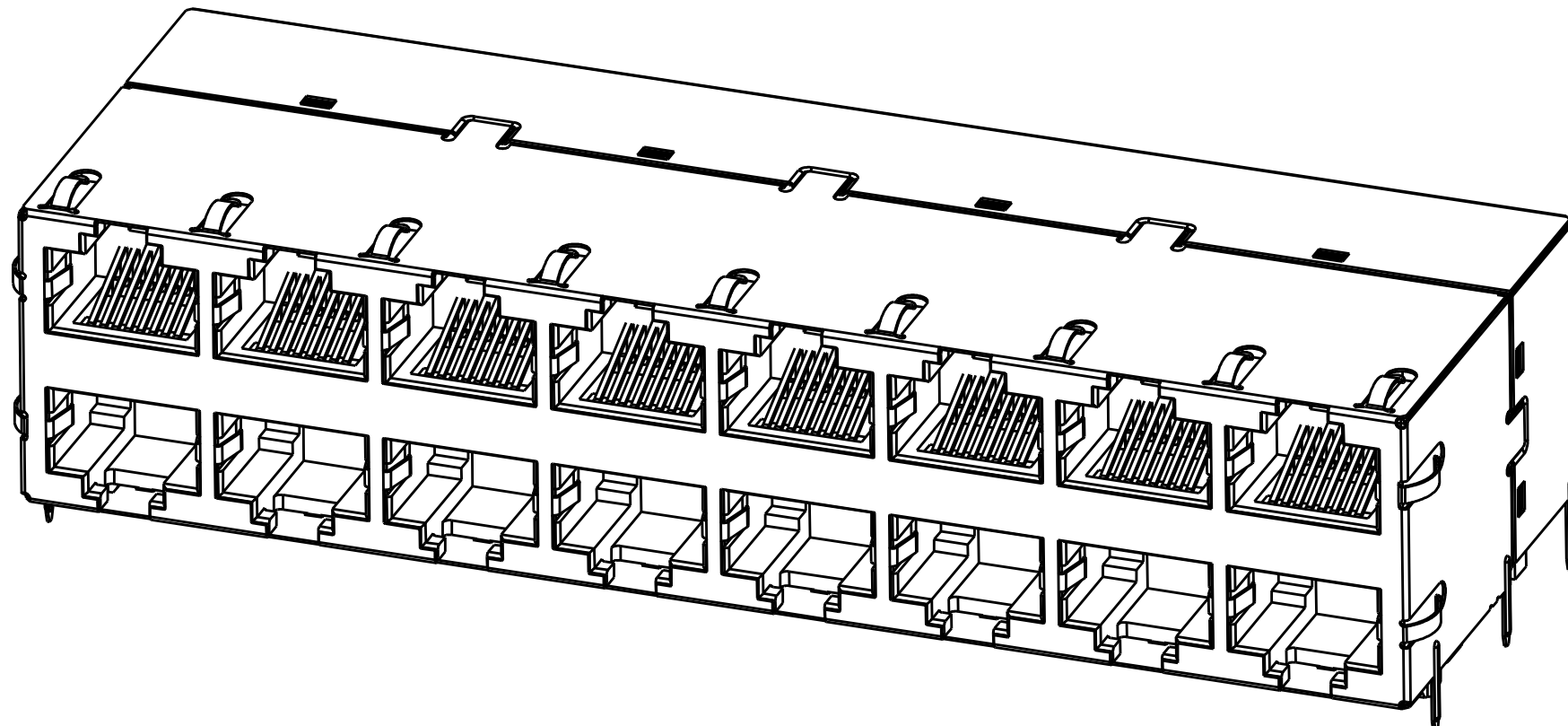


THIS DRAWING AND THE SUBJECT MATTER SHOWN THEREON ARE CONFIDENTIAL AND THE PROPERTY OF BEL/STEWART/TRP CONNECTOR AND SHALL NOT BE REPRODUCED, COPIED, OR USED IN ANY MANNER WITHOUT THE WRITTEN CONSENT OF TRP CONNECTOR.

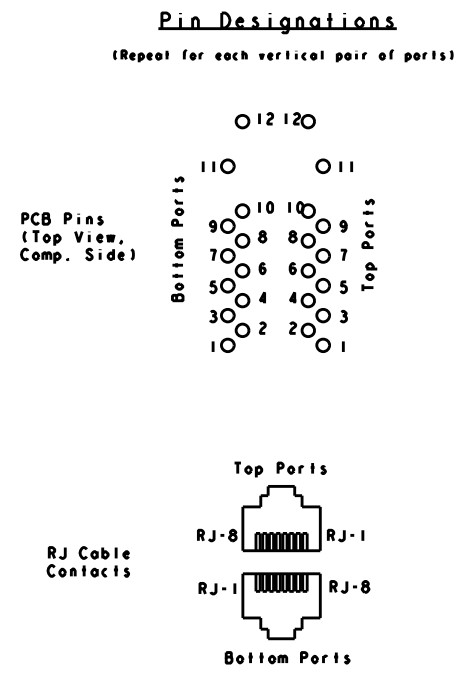
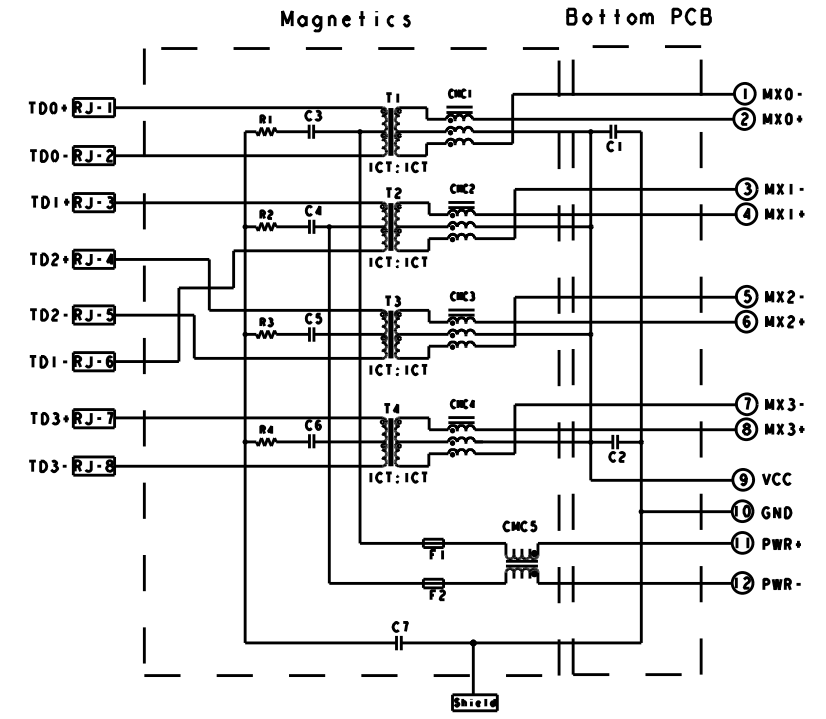
PRODUCT MAY BE PROTECTED BY ONE OR MORE OF THE FOLLOWING US PATENTS:  
 5736910 5939955 6425781 6428361 6554638 6840817 7123117  
 7429195 7717749 7808751 6217391 6149050 7924130

REVISIONS				
#	LT#	DESCRIPTION	DATE	APPV
1	H	EC-1411035 COMPANY LOGO CHANGE	21JAN2015	CZ TY



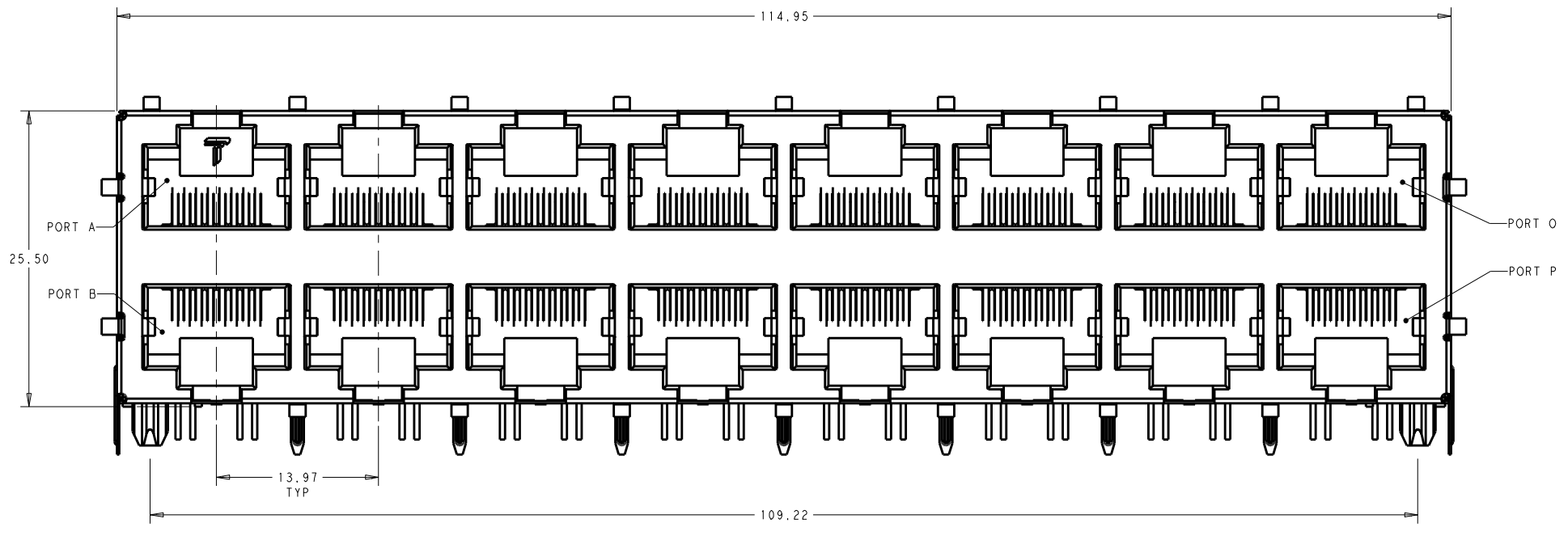
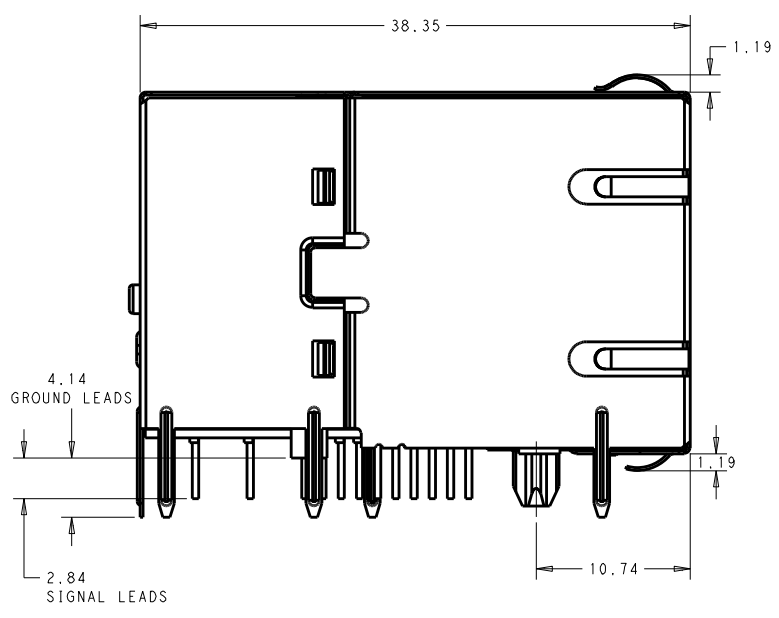
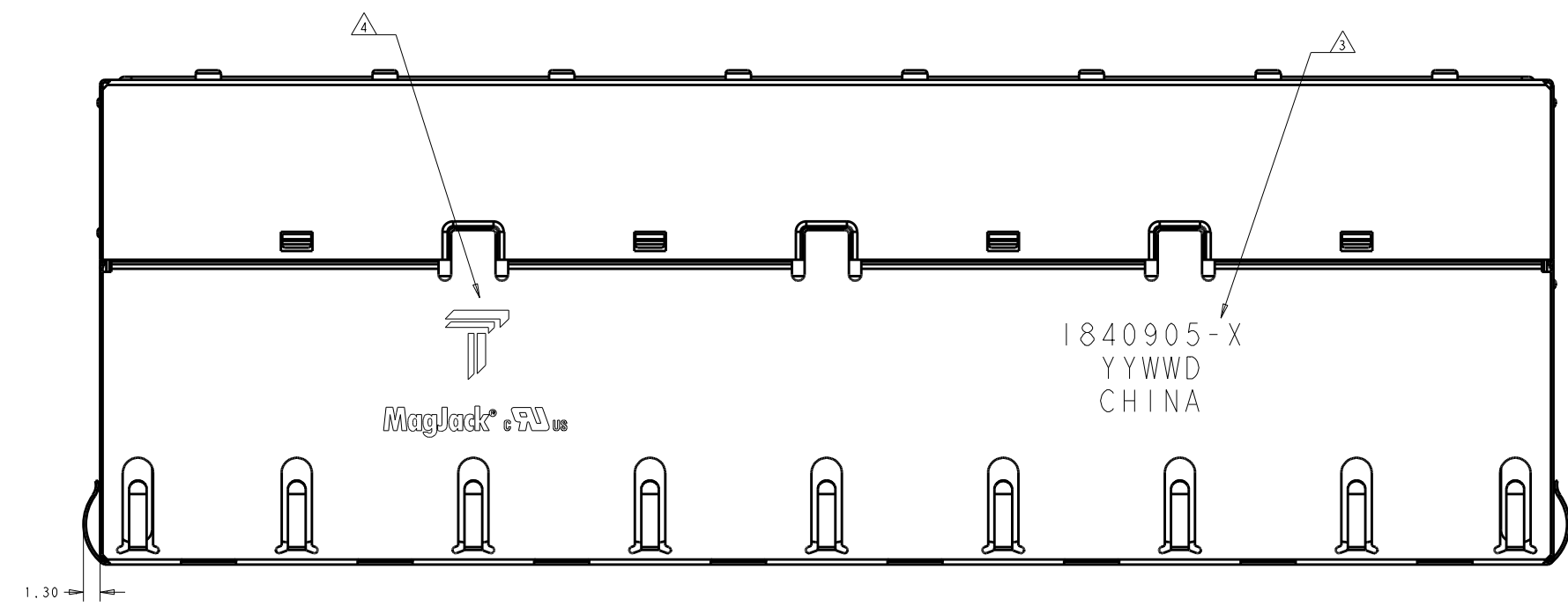
- MATERIALS:**  
 PLASTIC HOUSING: BLACK, THERMOPLASTIC FLAMMABILITY RATING UL 94V-0  
 SHIELD: BRASS, PREPLATED WITH 0.76um MIN SEMI-BRIGHT NICKEL,  
 POST DIPPED WITH 2.54um MIN SAC SOLDER ON SOLDER TAILS,  
 CONTACTS: PHOSPHOR BRONZE, 1.27um MIN OVERALL NICKEL  
 UNDERPLATE WITH SELECT 1.27um MIN GOLD AT MATING INTERFACE  
 AND 2.54um MIN MATTE TIN ON SOLDER TAILS.  
 ALL PC BOARDS: HIGH TEMPERATURE PCB, TG>170°C
- MAGNETICS**  
 APPLICATION: 10/100/1000 BASE-T, PoE  
 IMPEDANCE: 100 OHMS  
 TURNS RATIO (CHIP:CABLE): 1:1 ALL FOUR PAIRS  
 OPEN CIRCUIT INDUCTANCE (OCL): 350uH MIN @100kHz, 0.1VRMS,  
 8mADC BIAS FROM 0°C TO 70°C, ALL FOUR PAIRS  
 ALL FOUR PAIRS BI-DIRECTIONAL  
 POE CURRENT: 350mADC MAX  
 PERFORMANCE@25°C:  
 INSERTION LOSS(IL): 1.1dB MAX FROM 0.5MHz TO 100MHz  
 RETURN LOSS (RL): 18dB MIN FROM 0.5MHz TO 40MHz  
 12-20LOG(f/80)dB MIN FROM 40.1MHz TO 100MHz  
 CROSSTALK ATTENUATION: 35dB MIN FROM 0.5MHz TO 40MHz  
 33-20LOG(f/50)dB MIN FROM 40.1MHz TO 100MHz  
 COMMON MODE REJECTION RATIO (CMRR): 30dB MIN FROM 0.5MHz TO 100MHz  
 ISOLATION VOLTAGE: 2250VDC(MAX) FOR 60 SECONDS WITH A RISE TIME OF  
 500V/SEC AND WITH ALL PORTS CONNECTED.
- PART NUMBER, DATE CODE AND COUNTRY OF ORIGIN ARE  
 LOCATED IN APPROXIMATE AREA SHOWN. DATE CODE: YYWW "YY" IS YEAR, "WW"  
 IS WORK WEEK, "D" IS DAY OF WEEK, WITH SUNDAY=1
- TRP CONNECTOR LOGO AND AGENCY APPROVAL LOGO ARE  
 LOCATED IN APPROXIMATE AREA SHOWN.
- OPERATING TEMP: FROM 0°C TO +70°C.
- RJ45 CAVITY CONFORMS TO FCC RULES AND REGULATION PART 68 SUBPART F.
- INDICATED MAGNETIC CONNECTIONS ARE SYMMETRICAL AND  
 SUPPORT AUTO-MDI/MDIX.
- DATUM AND BASIC DIMENSION ESTABLISHED BY CUSTOMER.
- BASIC DIMENSION ESTABLISHED BY CUSTOMER, BUT MAY NOT BE  
 GREATER THAN 5.08mm.
- THE PARTS ARE RECOMMENDED FOR WAVE SOLDERING PROCESS,  
 PEAK TEMPERATURE 260°C MAX, 10 SECONDS MAX.

**S9VG60 GIGABIT PoE CIRCUIT** ⚠⚠  
 Top and Bottom Ports

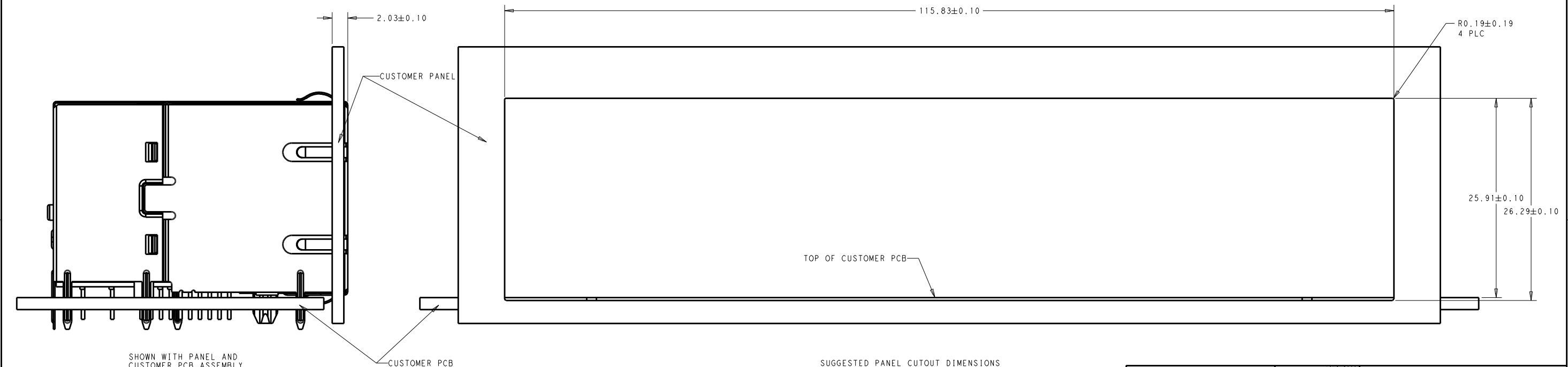
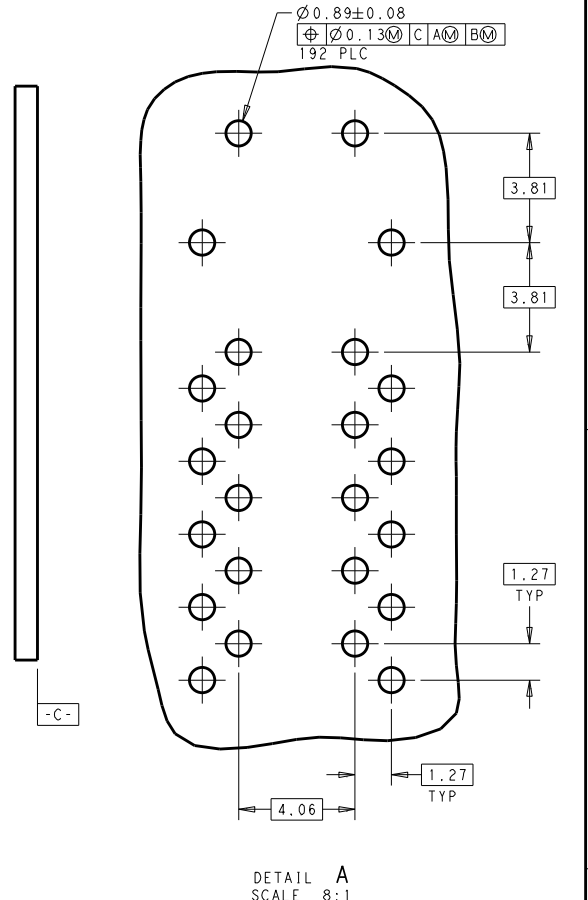
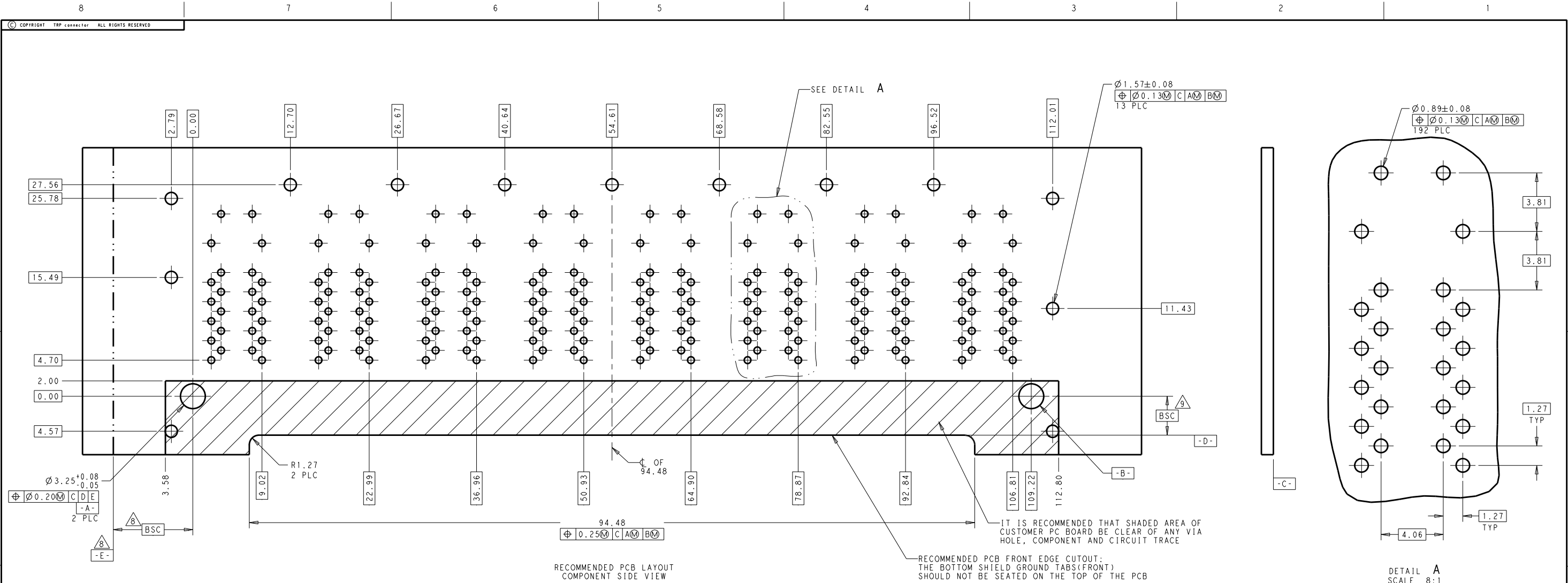


C1-C2=10nF, 50V, X7R,CAPACITORS  
 C3-C6=22nF, 100V,CAPACITORS  
 C7=1000PF, 3KV,CAPACITOR  
 R1-R4=75 Ohm 1/16W,RESISTORS  
 F1-F2= 125V, 1A

THIS DRAWING IS A CONTROLLED DOCUMENT.		DWN: TOMMY REN 19NOV2009 CHK: TONY YUAN 19NOV2009 APVD: KELTH ZHU 19NOV2009	1840905-1 PART NUMBER
DIMENSIONS: mm 	TOLERANCES UNLESS OTHERWISE SPECIFIED: 0 PLC ± 1 PLC ± 2 PLC ±0.25 3 PLC ± 4 PLC ±	MODEL NAME MAGJACK STACK PoE	DONGGUAN CHINA 2X8 S9VG60 GIGABIT PoE W/O LED
PRODUCT SPEC 108-104004	APPLICATION SPEC -	SIZE: A1 CAGE CODE: 1840905 DRAWING NO: 1840905 RESTRICTED TO: -	SCALE: 4:1 SHEET 1 OF 3 REV: H



THIS DRAWING IS A CONTROLLED DOCUMENT.		DWN TOMMY REN 19NOV2009 CHK TONY YUAN 19NOV2009 APVD KELTH ZHU 19NOV2009	DONGGUAN CHINA
DIMENSIONS: mm 	TOLERANCES UNLESS OTHERWISE SPECIFIED: 0 PLC ± 1 PLC ± 2 PLC ±0.25 3 PLC ± 4 PLC ±	MODEL NAME MAGJACK STACK PoE	
PRODUCT SPEC 108-104004	APPLICATION SPEC -	SIZE A1	CAGE CODE 1840905
Customer Drawing		SCALE 4:1	SHEET 2 OF 3 REV H



THIS DRAWING IS A CONTROLLED DOCUMENT.		DRN TOMMY REN 19NOV2009	DONGGUAN CHINA <small>analog group</small>
DIMENSIONS: mm		CHK TONY YUAN 19NOV2009	
TOLERANCES UNLESS OTHERWISE SPECIFIED:		APVD KELTH ZHU 19NOV2009	
	0 PLC ± 1 PLC ± 2 PLC ±0.25 3 PLC ± 4 PLC ± ANGLES ±	MODEL NAME	DESC 2X8 S9VG60 GIGABIT PoE W/O LED
PRODUCT SPEC 108-104004	APPLICATION SPEC	MAGJACK STACK PoE	SIZE A1
		Customer Drawing	RESTRICTED TO -
		SCALE 4:1	SHEET 3 OF 3 REV H