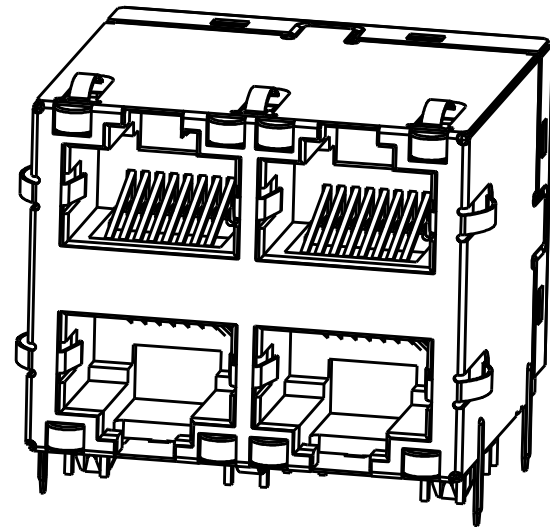


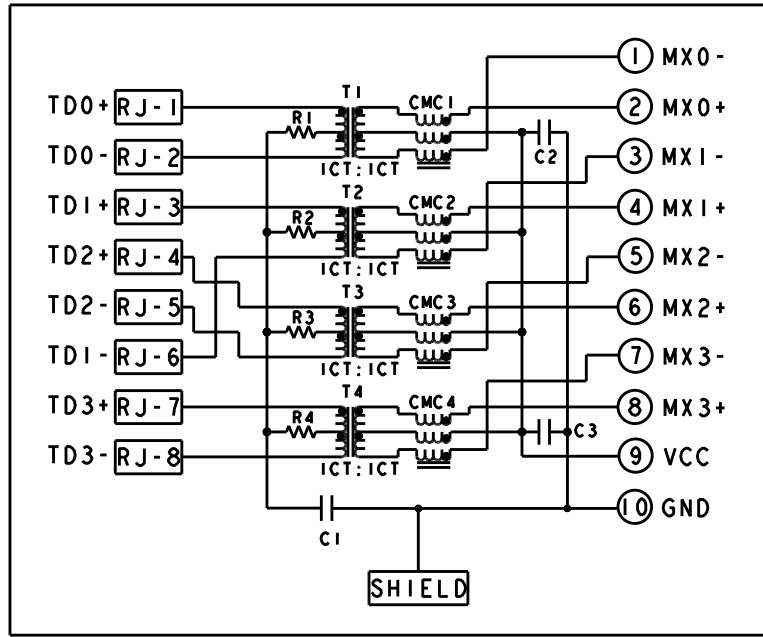
THIS DRAWING AND THE SUBJECT MATTER SHOWN THEREON ARE CONFIDENTIAL AND THE PROPERTY OF BEL/STEWART/TRP CONNECTOR AND SHALL NOT BE REPRODUCED, COPIED, OR USED IN ANY MANNER WITHOUT THE WRITTEN CONSENT OF TRP CONNECTOR.

PRODUCT MAY BE PROTECTED BY ONE OR MORE OF THE FOLLOWING US PATENTS:  
 5736910 5939955 6425781 6428361 6554638 6840817 7123117  
 7429195 7717749 7808751 6217391 6149050 7924130

| REVISIONS |           |    |      |                                |      |
|-----------|-----------|----|------|--------------------------------|------|
| REV       | DATE      | BY | APPV | DESCRIPTION                    | DATE |
| D         | 30NOV2010 | CZ | TY   | EC-1411035 COMPANY LOGO CHANGE |      |



S8G56 GIGABIT CIRCUIT  
 TOP AND BOTTOM PORTS



C1 = 1000pF, 2kV CAPACITOR  
 C2 - C3 = 10nF, 50V CCAPACITORS  
 R1-R4 = 75 Ohms, 1/16 W, RESISTORS

- MATERIALS:**  
 PLASTIC HOUSING: BLACK, THERMOPLASTIC FLAMMABILITY RATING UL 94V-0  
 SHIELD: BRASS, PREPLATED WITH 0.76um MIN SEMI-BRIGHT NICKEL, POST DIPPED WITH 2.54um MIN SAC SOLDER ON SOLDER TAILS.  
 CONTACTS: PHOSPHOR BRONZE, 1.27um MIN OVERALL NICKEL UNDERPLATE WITH SELECTED 1.27um MIN GOLD AT MATING INTERFACE AND 2.54um MIN MATTE TIN ON SOLDER TAILS.  
 LED: DIFFUSED EPOXY LENS, CARBON STEEL LEAD FRAME TAILS OF LED ARE PREPLATED WITH 2.03um MIN SILVER OVER 1.02um MIN NICKEL UNDERPLATE OVER 1.02um MIN COPPER UNDERPLATE. POST-PLATED WITH 2.54um MIN MATTE TIN AND/OR SAC SOLDER DIP OR PURE TIN SOLDER DIP

- MAGNETICS**  
 APPLICATION: 10/100/1000 BASE-T  
 IMPEDANCE: 100 OHMS  
 TURNS RATIO (CHIP:CABLE): 1:1 ALL FOUR PAIRS  
 OPEN CIRCUIT INDUCTANCE (OCL): 350uH MIN @100kHz, 0.1VRMS, 8mADC BIAS FROM 0°C TO 70°C, ALL FOUR PAIRS  
 ALL FOUR PAIRS BI-DIRECTIONAL  
 PERFORMANCE @ 25°C:  
 INSERTION LOSS (IL): 1.1dB MAX FROM 0.5MHz TO 100MHz  
 RETURN LOSS (RL): 18dB MIN FROM 0.5MHz TO 40MHz  
 12-20LOG(f/80)dB MIN FROM 40.1MHz TO 100MHz  
 CROSSTALK ATTENUATION: 35dB MIN FROM 0.5MHz TO 40MHz  
 33-20LOG(f/50)dB MIN FROM 40.1MHz TO 100MHz  
 COMMON MODE REJECTION RATIO (CMRR): 30dB MIN FROM 0.5MHz TO 100MHz  
 ISOLATION VOLTAGE: 2250VDC(MAX) FOR 60 SECONDS WITH A RISE TIME OF 500V/SEC AND WITH ALL PORTS CONNECTED.

- PART NUMBER, DATE CODE AND COUNTRY OF ORIGIN ARE LOCATED IN APPROXIMATE AREA SHOWN. DATE CODE: "YY" IS YEAR, "WW" IS WORK WEEK, "D" IS DAY OF WEEK, WITH SUNDAY=1

- TRP LOGO AND AGENCY APPROVAL LOGO ARE LOCATED IN APPROXIMATE AREA SHOWN.

- OPERATING TEMP: FROM 0°C TO +70°C.

- RJ45 CAVITY CONFORMS TO FCC RULES AND REGULATION PART 68 SUBPART F.

- INDICATED MAGNETIC CONNECTIONS ARE SYMMETRICAL AND SUPPORT AUTO-MDI/MDIX.

- DATUM AND BASIC DIMENSION ESTABLISHED BY CUSTOMER.

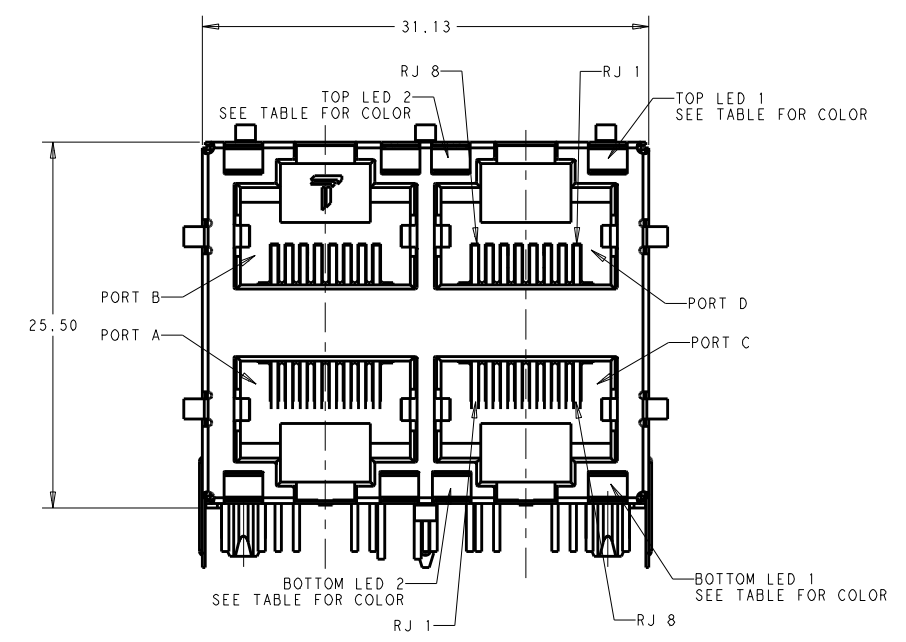
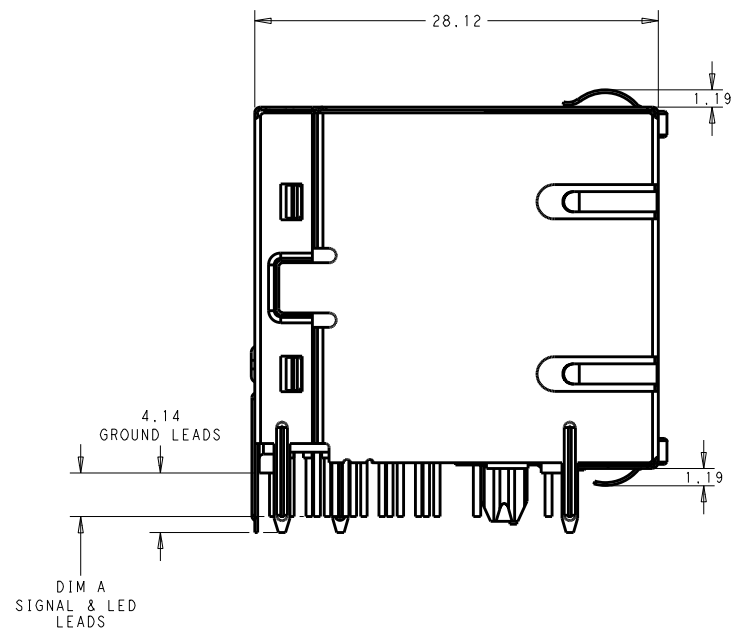
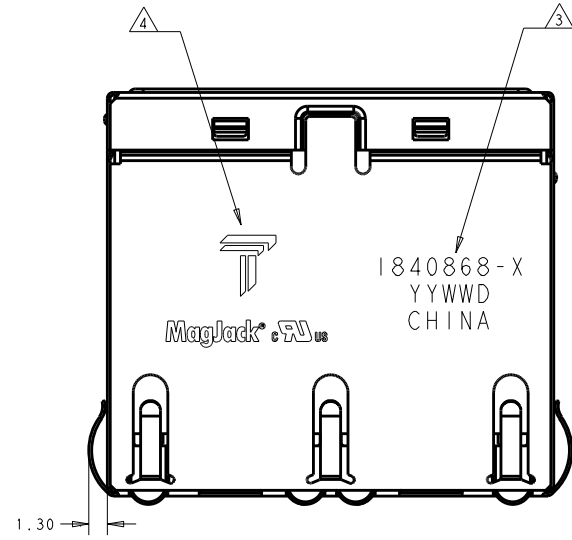
- BASIC DIMENSION ESTABLISHED BY CUSTOMER, BUT MAY NOT BE GREATER THAN 5.08mm.

- LEDS ARE DRIVEN WITH CONSTANT CURRENT AT APPROX 20mA  
 LED COLOR: DOMINANT WAVELENGTH (λD): GREEN 568 nm TYP. @ IF=20mA  
 FORWARD VOLTAGE (VF): GREEN 2.2V TYP. @ IF=20mA  
 DOMINANT WAVELENGTH (λD): YELLOW 588 nm TYP. @ IF=20mA  
 FORWARD VOLTAGE (VF): YELLOW 2.1V TYP. @ IF=20mA

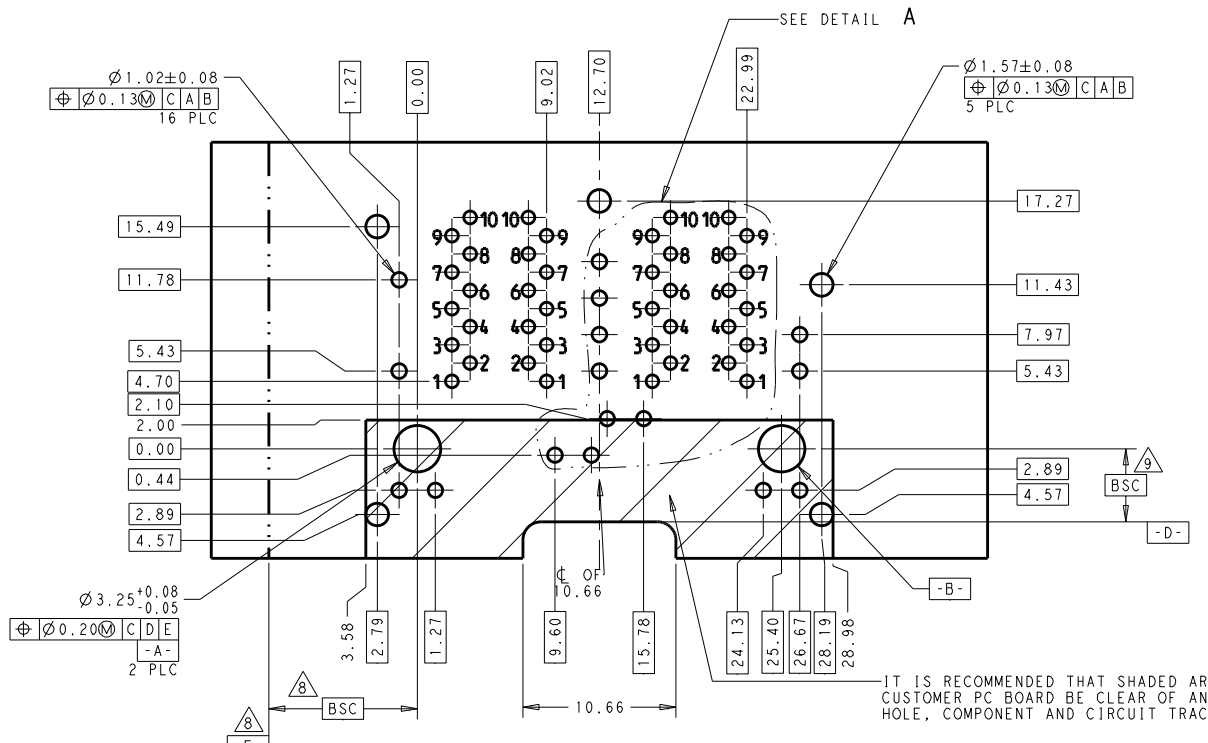
- THE PARTS ARE RECOMMENDED FOR WAVE SOLDERING PROCESS. PEAK TEMPERATURE 260°C MAX, 10 SECONDS MAX.

|       |              |              |           |           |             |
|-------|--------------|--------------|-----------|-----------|-------------|
| 3.04  | GREEN        | YELLOW       | GREEN     | YELLOW    | 1840868-3   |
| 3.04  | YELLOW       | GREEN        | GREEN     | YELLOW    | 1840868-2   |
| 3.04  | GREEN        | GREEN        | GREEN     | GREEN     | 1840868-1   |
| DIM A | BOTTOM LED 2 | BOTTOM LED 1 | TOP LED 2 | TOP LED 1 | PART NUMBER |

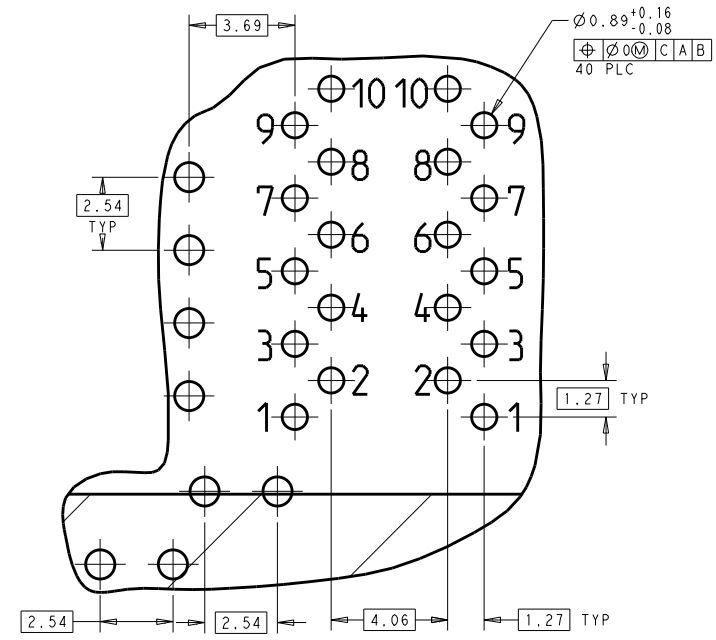
|   |  |   |  |  |  |
|---|--|---|--|--|--|
| THIS DRAWING IS A CONTROLLED DOCUMENT.  |  | 30NOV2010<br>JAMISON CHEN/KO L1<br>30NOV2010<br>TONY YUAN<br>30NOV2010<br>APVD<br>KELLTH ZHU<br>30NOV2010 |  | DONGGUAN CHINA   |  |
| DIMENSIONS: mm<br>0 PLC ±0.25<br>1 PLC ±0.25<br>2 PLC ±0.25<br>3 PLC ±0.25<br>4 PLC ±0.25 |  | MODEL NAME: MAGJACK<br>PRODUCT SPEC: STACK NON-POE<br>APPLICATION SPEC:                                   |  | 2X2 S8G56 GIGABIT W/ LED<br>SIZE: A1<br>CAGE CODE: 1840868<br>DRAWING NO: 108-104004 |  |
| CUSTOMER DRAWING  |  | SCALE: NTS  |  | SHEET 1 OF 4 REV D   |  |



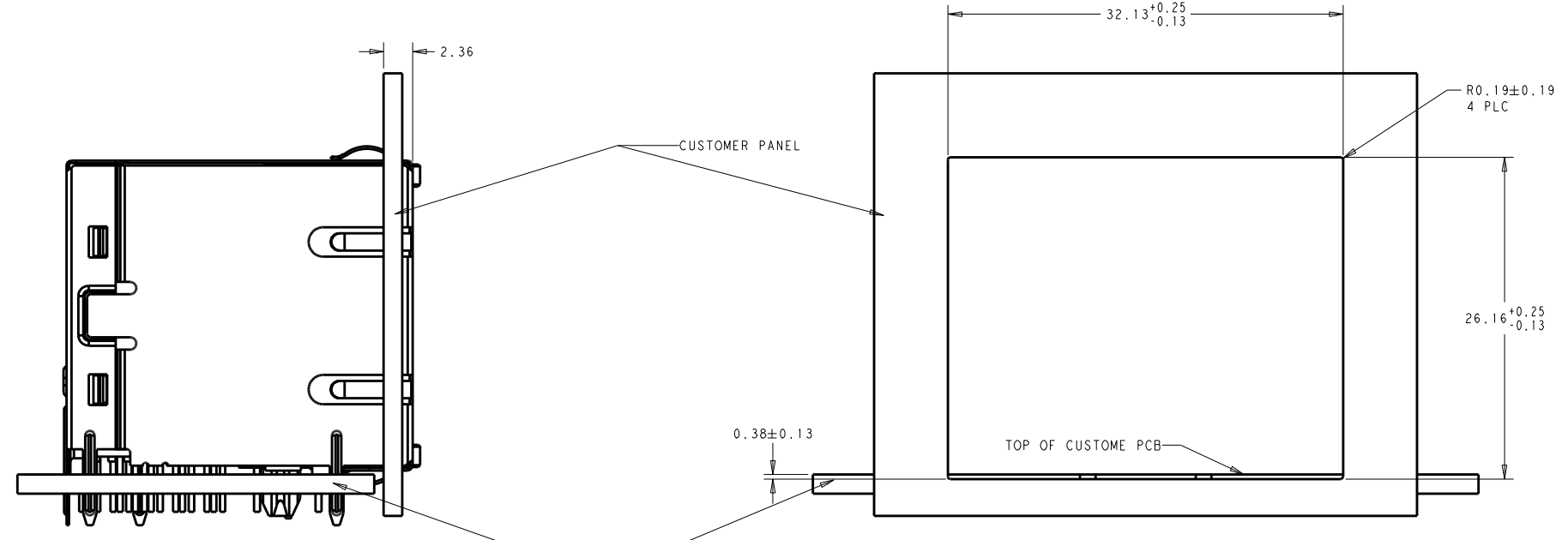
|   |                  |  |  |
|---|------------------|--|--|
| THIS DRAWING IS A CONTROLLED DOCUMENT.                                      |                  | DRN<br>JAMISON CHEN/KO L1<br>30NOV2010 | <br><b>trp</b> CONNECTOR<br>DONGGUAN CHINA |
| DIMENSIONS:<br>mm   |                  | CHK<br>TONY YUAN<br>30NOV2010          |  |
| TOLERANCES UNLESS OTHERWISE SPECIFIED:                                      |                  | APVD<br>KELTH ZHU<br>30NOV2010         | DESC<br>2X2 S8G56 GIGABIT W/ LED           |
| 0 PLC ±0.25<br>1 PLC ±0.25<br>2 PLC ±0.25<br>3 PLC ±<br>4 PLC ±<br>ANGLES ± |                  | MODEL NAME<br>MAGJACK                  | SIZE<br>A1                                 |
| PRODUCT SPEC<br>108-104004  | APPLICATION SPEC | STACK NON-POE                          | CAGE CODE<br>1840868                       |
| CUSTOMER DRAWING  |                  | SCALE<br>NTS                           | SHEET 2 OF 4 REV D                         |



RECOMMENDED PCB LAYOUT COMPONENT SIDE VIEW



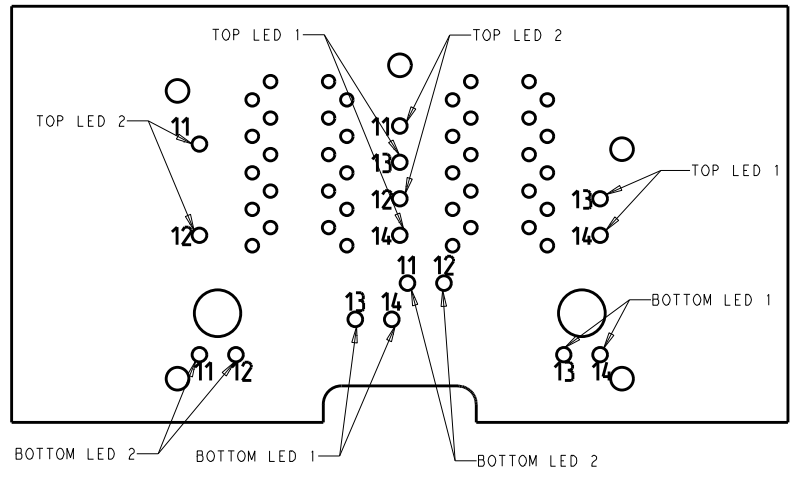
DETAIL A SCALE 8:1



SHOWN WITH PANEL AND CUSTOMER PCB ASSEMBLY

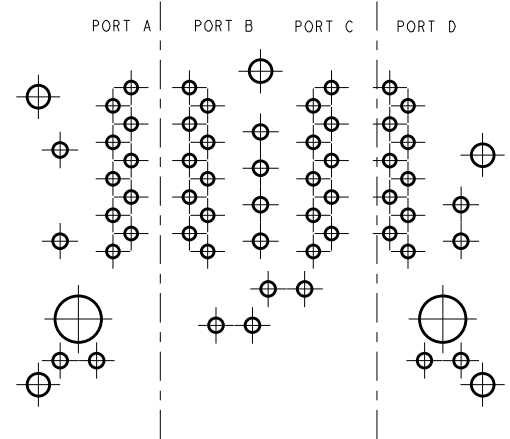
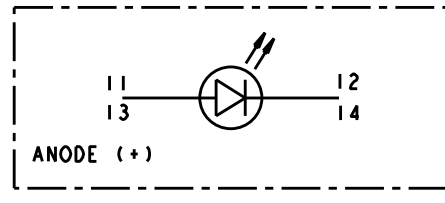
SUGGESTED PANEL CUTOUT DIMENSIONS

|   |   |  |                |
|---|---|--|----------------|
| THIS DRAWING IS A CONTROLLED DOCUMENT.  |   | DWG: JAMISON CHEN/KO L1<br>CHK: TONY YUAN<br>APVD: KEITH ZHU<br>MODEL NAME: MAGJACK<br>DATE: 30NOV2010<br>REV: 30NOV2010 | DONGGUAN CHINA |
| DIMENSIONS: mm<br>TOLERANCES UNLESS OTHERWISE SPECIFIED:<br>0 PLC ±0.25<br>1 PLC ±0.25<br>2 PLC ±0.25<br>3 PLC ±<br>4 PLC ±<br>ANGLES ± | PRODUCT SPEC: 108-104004<br>APPLICATION SPEC: | DESC: 2X2 S8G56 GIGABIT W/ LED<br>SIZE: A1<br>CAGE CODE: 1840868<br>DRAWING NO: 108-104004<br>CUSTOMER DRAWING           |                |



LED HOLE DESIGNATIONS  
VIEWED FROM COMPONENT SIDE

SINGLE COLOR LED



PORT ASSIGNMENT  
COMPONENT SIDE VIEW

|  |  |  |                                   |                                       |  |
|--|--|--|-----------------------------------|---------------------------------------|--|
| THIS DRAWING IS A CONTROLLED DOCUMENT. |  | DWN: JAMISON CHEN/KO L1 30NOV2010<br>CHK: TONY YUAN 30NOV2010<br>APVD: KEITH ZHU 30NOV2010 |                                   | DONGGUAN CHINA                        |  |
| DIMENSIONS:<br>mm                      | TOLERANCES UNLESS OTHERWISE SPECIFIED:<br>0 P.L.C. ±0.25<br>1 P.L.C. ±0.25<br>2 P.L.C. ±0.25<br>3 P.L.C. ±<br>4 P.L.C. ±*<br>ANGLES: | MODEL NAME:<br>MAGJACK   | DESC:<br>2X2 S8G56 GIGABIT W/ LED |                                       | SIZE: A1<br>CAGE CODE: 1840868<br>DRAWING NO: 108-104004 |
| PRODUCT SPEC:<br>108-104004            | APPLICATION SPEC:  | CUSTOMER DRAWING   |                                   | SCALE: NTS<br>SHEET: 4 OF 4<br>REV: D |  |