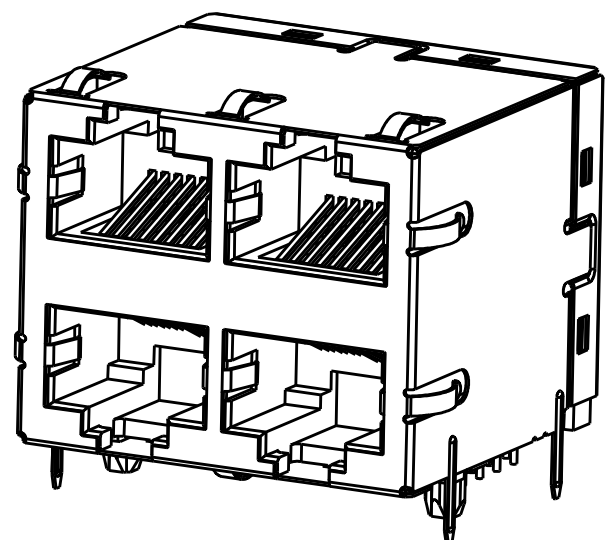


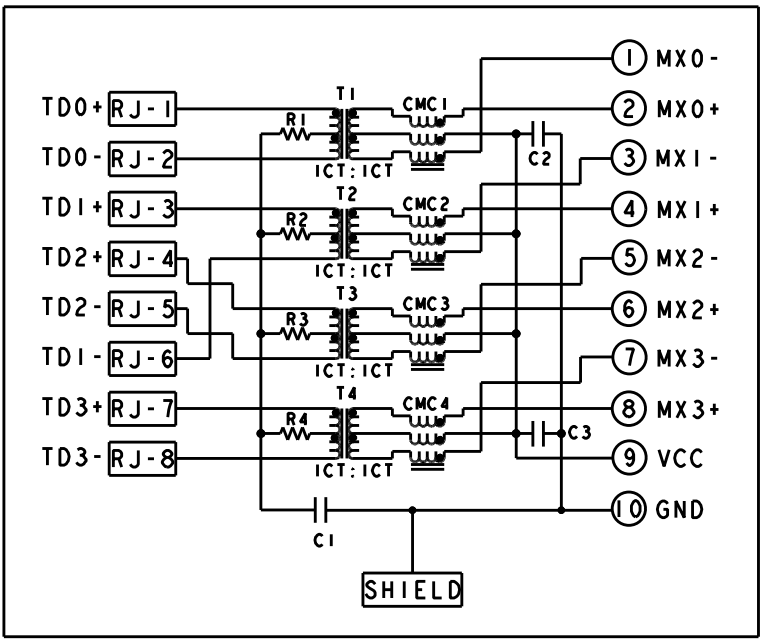
THIS DRAWING AND THE SUBJECT MATTER SHOWN THEREON ARE CONFIDENTIAL AND THE PROPERTY OF BEL/STEWART/TRP CONNECTOR AND SHALL NOT BE REPRODUCED, COPIED, OR USED IN ANY MANNER WITHOUT THE WRITTEN CONSENT OF TRP CONNECTOR.

PRODUCT MAY BE PROTECTED BY ONE OR MORE OF THE FOLLOWING US PATENTS:
 5736910 5939955 6425781 6428361 6554638 6840817 7123117
 7429195 7717749 7808751 6217391 6149050 7924130

REVISONS					
#	LTR	DESCRIPTION	DATE	OWN	APPR
1	C	EC-1411035 COMPANY LOGO CHANGE	16JAN2015	CZ	TY



S8G56 GIGABIT CIRCUIT
 TOP AND BOTTOM PORTS



C1 = 1000pF, 2kV CAPACITOR
 C2 - C3 = 10nF, 50V CCAPACITORS
 R1-R4 = 75 Ohms, 1/16 W, RESISTORS

1. MATERIALS:
 PLASTIC HOUSING: BLACK, THERMOPLASTIC FLAMMABILITY RATING UL 94V-0
 SHIELD: BRASS, PREPLATED WITH 0.76um MIN SEMI-BRIGHT NICKEL,
 POST DIPPED WITH 2.54um MIN SAC SOLDER ON SOLDER TAILS.
 CONTACTS: PHOSPHOR BRONZE, 1.27um MIN OVERALL NICKEL
 UNDERPLATE WITH SELECTED 1.27um MIN GOLD AT MATING INTERFACE
 AND 2.54um MIN MATTE TIN ON SOLDER TAILS.

MAGNETICS
 APPLICATION: 10/100/1000 BASE-T
 IMPEDANCE: 100 OHMS
 TURNS RATIO (CHIP:CABLE): 1:1 ALL FOUR PAIRS
 OPEN CIRCUIT INDUCTANCE (OCL): 350uH MIN @100kHz, 0.1VRMS,
 8mADC BIAS FROM 0°C TO 70°C, ALL FOUR PAIRS
 ALL FOUR PAIRS BI-DIRECTIONAL
 PERFORMANCE @ 25°C:
 INSERTION LOSS (IL): 1.1dB MAX FROM 0.5MHz TO 100MHz
 RETURN LOSS (RL): 18dB MIN FROM 0.5MHz TO 40MHz
 12-20LOG(f/80)dB MIN FROM 40.1MHz TO 100MHz
 CROSSTALK ATTENUATION: 35dB MIN FROM 0.5MHz TO 40MHz
 33-20LOG(f/50)dB MIN FROM 40.1MHz TO 100MHz
 COMMON MODE REJECTION RATIO (CMRR): 30dB MIN FROM 0.5MHz TO 100MHz
 ISOLATION VOLTAGE: 2250VDC(MAX) FOR 60 SECONDS WITH A RISE TIME OF
 500V/SEC AND WITH ALL PORTS CONNECTED.

PART NUMBER, DATE CODE AND COUNTRY OF ORIGIN ARE LOCATED
 IN APPROXIMATE AREA SHOWN. DATE CODE: "YY" IS YEAR, "WW" IS
 WORK WEEK, "D" IS DAY OF WEEK, WITH SUNDAY=1

TRP LOGO AND AGENCY APPROVAL LOGO ARE
 LOCATED IN APPROXIMATE AREA SHOWN.

OPERATING TEMP: FROM 0°C TO +70°C.

RJ45 CAVITY CONFORMS TO FCC RULES AND REGULATION PART 68 SUBPART F.

INDICATED MAGNETIC CONNECTIONS ARE SYMMETRICAL AND
 SUPPORT AUTO-MDI/MDIX.

DATUM AND BASIC DIMENSION ESTABLISHED BY CUSTOMER.

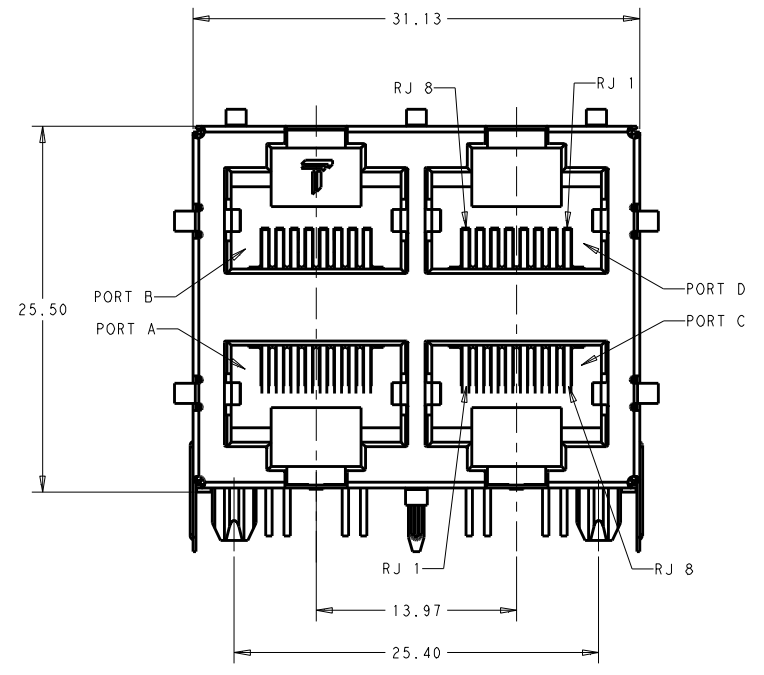
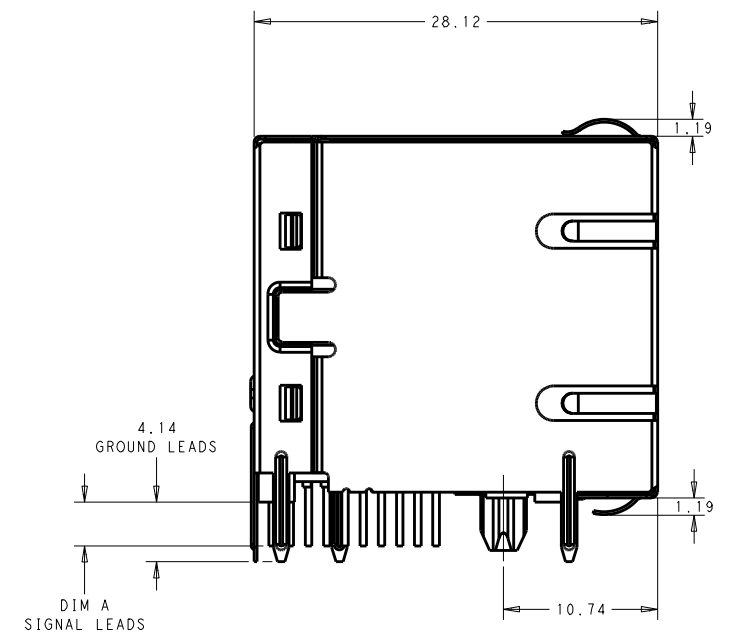
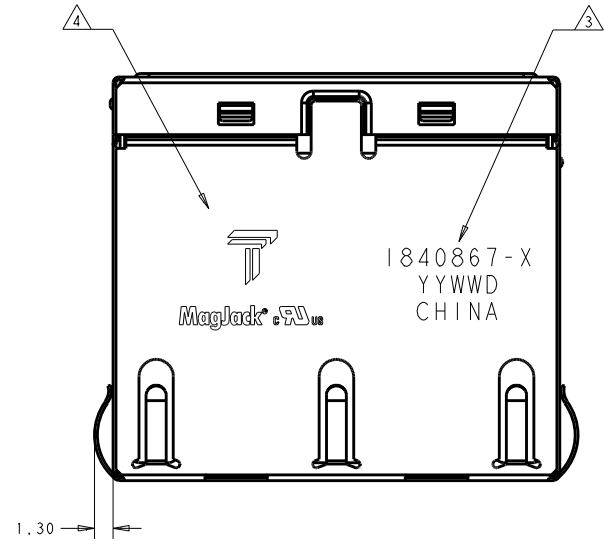
BASIC DIMENSION ESTABLISHED BY CUSTOMER, BUT MAY NOT BE
 GREATER THAN 5.08mm.

THE PARTS ARE RECOMMENDED FOR WAVE SOLDERING PROCESS.
 PEAK TEMPERATURE 260°C MAX, 10 SECONDS MAX.

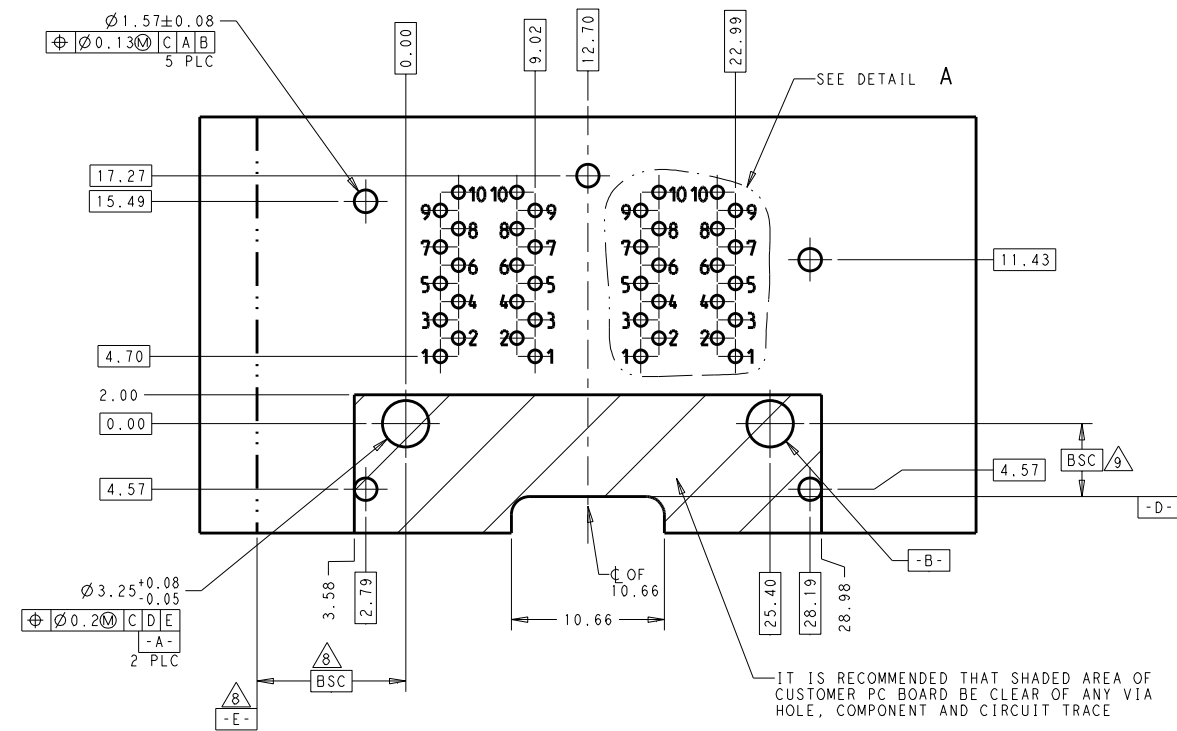
3.04	1840867-1
DIM A	PART NUMBER

THIS DRAWING IS A CONTROLLED DOCUMENT.

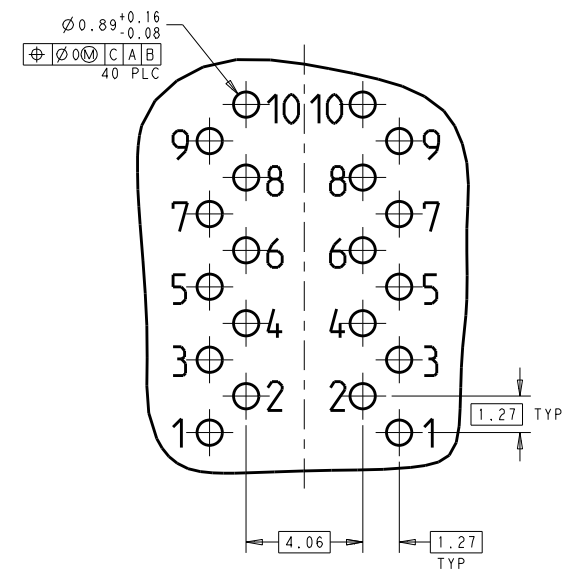
DIMENSIONS: mm	TOLERANCES UNLESS OTHERWISE SPECIFIED: 0 PLC ±0.25 1 PLC ±0.25 2 PLC ±0.25 3 PLC ± 4 PLC ±	DPN: JAMISON CHEN/KO L1 29NOV2010 CWK: TONY YUAN 29NOV2010 APVD: KELTH ZHU 29NOV2010 MODEL NAME: MAGJACK SIZE: STACK NON-POE CUSTOMER DRAWING	DONGGUAN CHINA 2X2 S8G56 GIGABIT W/O LED SCALE: NTS SHEET 1 OF 4 REV C
-------------------	---	--	--



THIS DRAWING IS A CONTROLLED DOCUMENT.		DWN: JAMISON CHEN/KO L1 29NOV2010 CHK: TONY YUAN 29NOV2010 APVD: KEITH ZHU 29NOV2010		trp CONNECTOR DONGGUAN CHINA
DIMENSIONS: mm TOLERANCES UNLESS OTHERWISE SPECIFIED: 0 PLC ±0.25 1 PLC ±0.25 2 PLC ±0.25 3 PLC ± 4 PLC ± ANGLES °		MODEL NAME: MAGJACK DESC: 2X2 S8G56 GIGABIT W/O LED		
PRODUCT SPEC: 108-104004 APPLICATION SPEC:		SIZE: A1 CAGE CODE: 1840867 DRAWING NO: 1840867 CUSTOMER DRAWING		RESTRICTED TO: - SCALE: NTS SHEET: 2 OF 4 REV: C

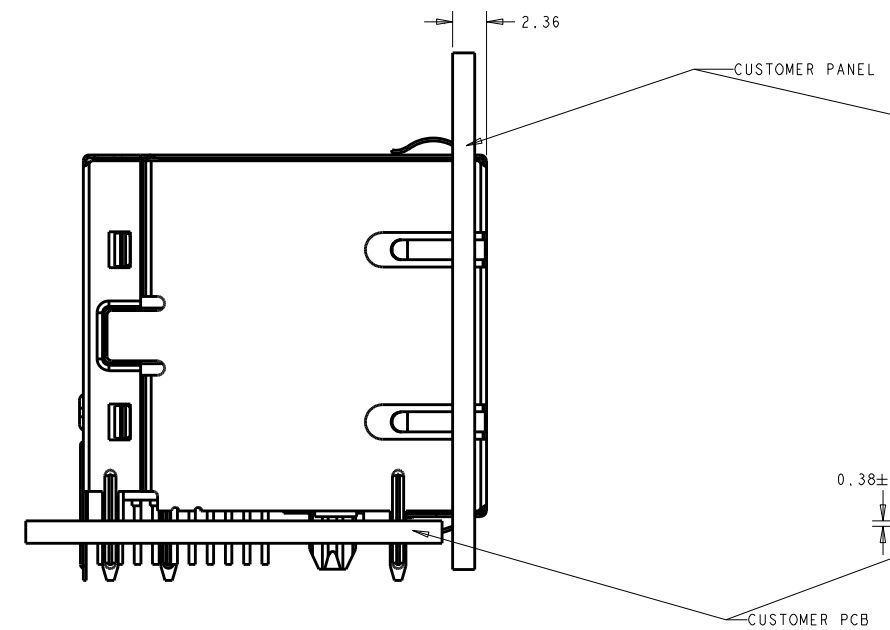


RECOMMENDED PCB LAYOUT COMPONENT SIDE VIEW

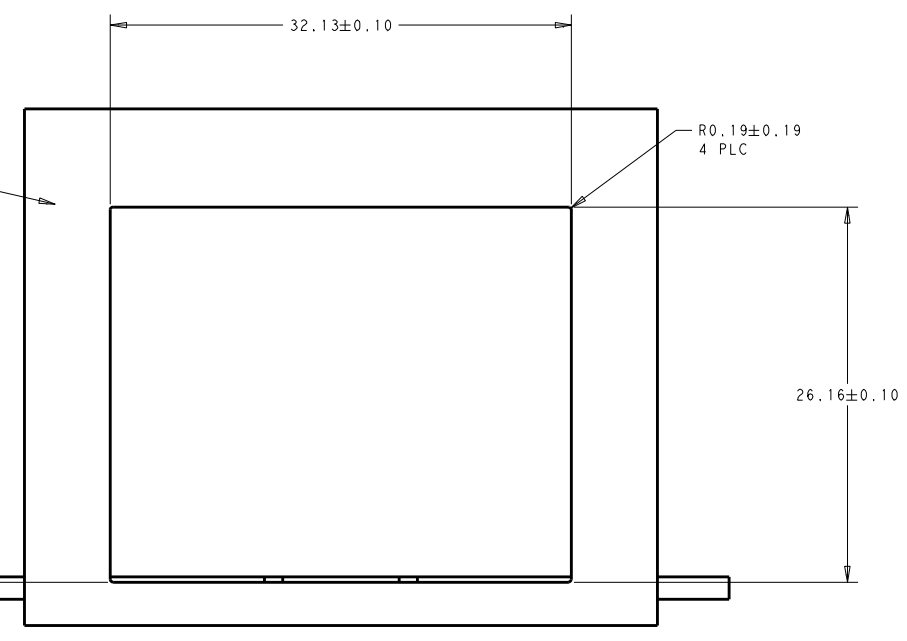


DETAIL A SCALE 8:1

IT IS RECOMMENDED THAT SHADED AREA OF CUSTOMER PC BOARD BE CLEAR OF ANY VIA HOLE, COMPONENT AND CIRCUIT TRACE

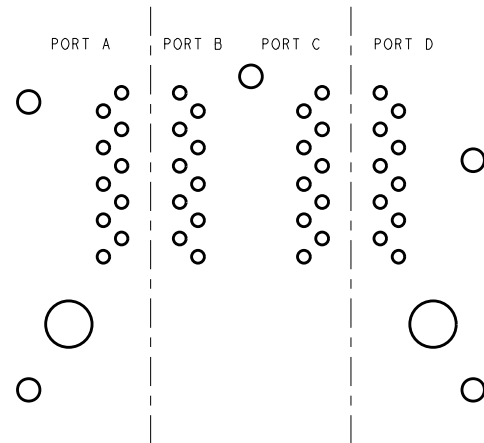


SHOWN WITH PANEL AND CUSTOMER PCB ASSEMBLY


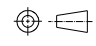


SUGGESTED PANEL CUTOUT DIMENSIONS

THIS DRAWING IS A CONTROLLED DOCUMENT.		DWN: JAMISON CHEN/R0 L1 29NOV2010 CWR: TONY YUAN 29NOV2010 APVD: KEITH ZHU 29NOV2010	DONGGUAN CHINA
DIMENSIONS: mm 	TOLERANCES UNLESS OTHERWISE SPECIFIED: 0 PLC ± 0.25 1 PLC ± 0.25 2 PLC ± 0.25 3 PLC \pm 4 PLC \pm ANGLES:	MODEL NAME: MAGJACK DESC: 2X2 S8G56 GIGABIT W/O LED	
PRODUCT SPEC: 108-104004	APPLICATION SPEC:	SIZE: A1 CAGE CODE: 1840867 DRAWING NO: 1840867 CUSTOMER DRAWING	RESTRICTED TO:
SCALE: NTS			SHEET 3 OF 4 REV C



PORT ASSIGNMENT COMPONENT SIDE VIEW

THIS DRAWING IS A CONTROLLED DOCUMENT.		DRN JAMISON CHEN/KO L1 29NOV2010	 DONGGUAN CHINA
DIMENSIONS: mm		CHK TONY YUAN 29NOV2010	
		APVD KEITH ZHU 29NOV2010	
PRODUCT SPEC 108-104004	TOLERANCES UNLESS OTHERWISE SPECIFIED: 0 P.L.C ±0.25 1 P.L.C ±0.25 2 P.L.C ±0.25 3 P.L.C ± 4 P.L.C ± ANGLES	MODEL NAME MAGJACK	DESC 2X2 S8G56 GIGABIT W/O LED
APPLICATION SPEC		STACK NON-POE	SIZE A1
CUSTOMER DRAWING		SCALE NTS	DRAWING NO 1840867
		SHEET 4	OF 4
		REV C	