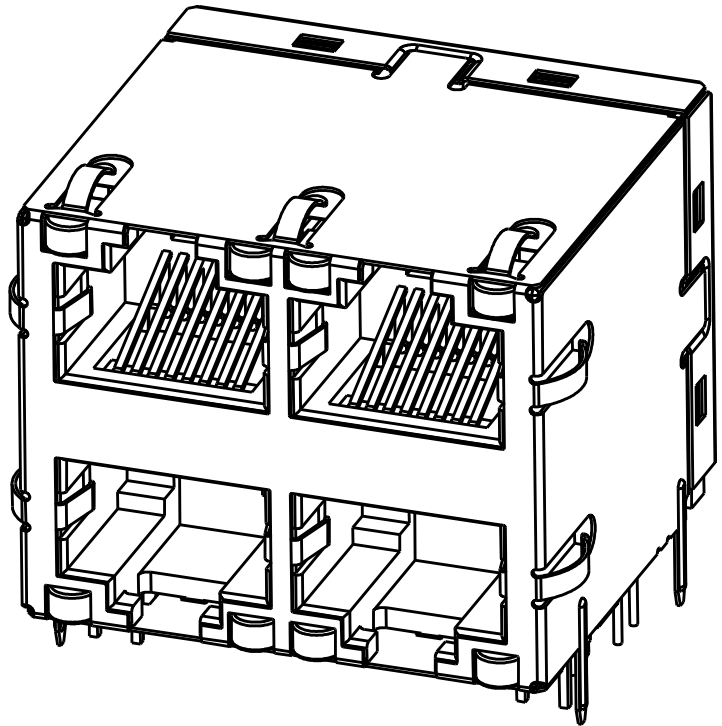


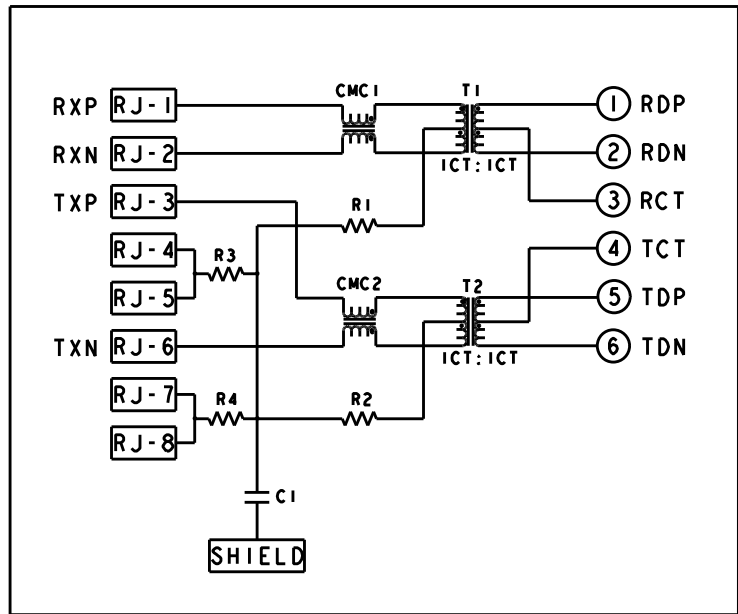
THIS DRAWING AND THE SUBJECT MATTER SHOWN THEREON ARE CONFIDENTIAL AND THE PROPERTY OF BEL/STEWART/TRP CONNECTOR AND SHALL NOT BE REPRODUCED, COPIED, OR USED IN ANY MANNER WITHOUT THE WRITTEN CONSENT OF TRP CONNECTOR.

PRODUCT MAY BE PROTECTED BY ONE OR MORE OF THE FOLLOWING US PATENTS:
 5736910 5939955 6425781 6428361 6554638 6840817 7123117
 7429195 7717749 7808751 6217391 6149050 7924130

REVISIONS				
#	LT#	DESCRIPTION	DATE	APPV
E		EC-1411035, COMPANY LOGO CHANGE	13JAN2015	CZ TY



TOP AND BOTTOM PORTS $\triangle\triangle$

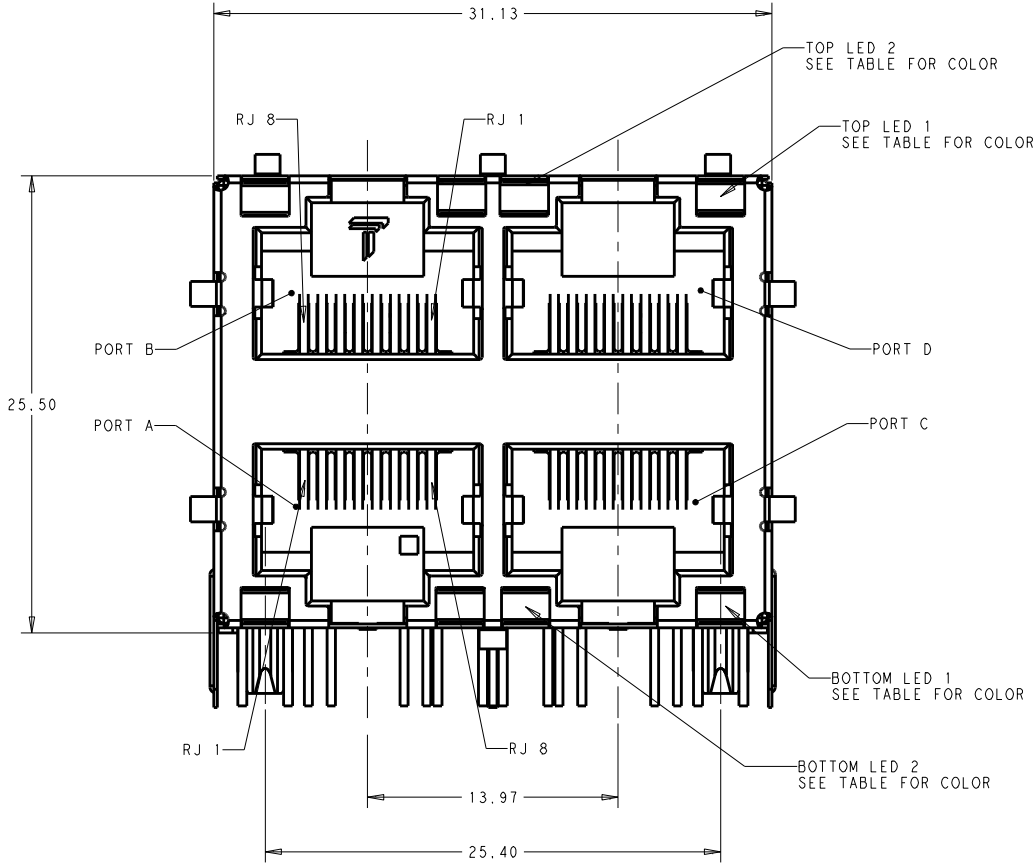
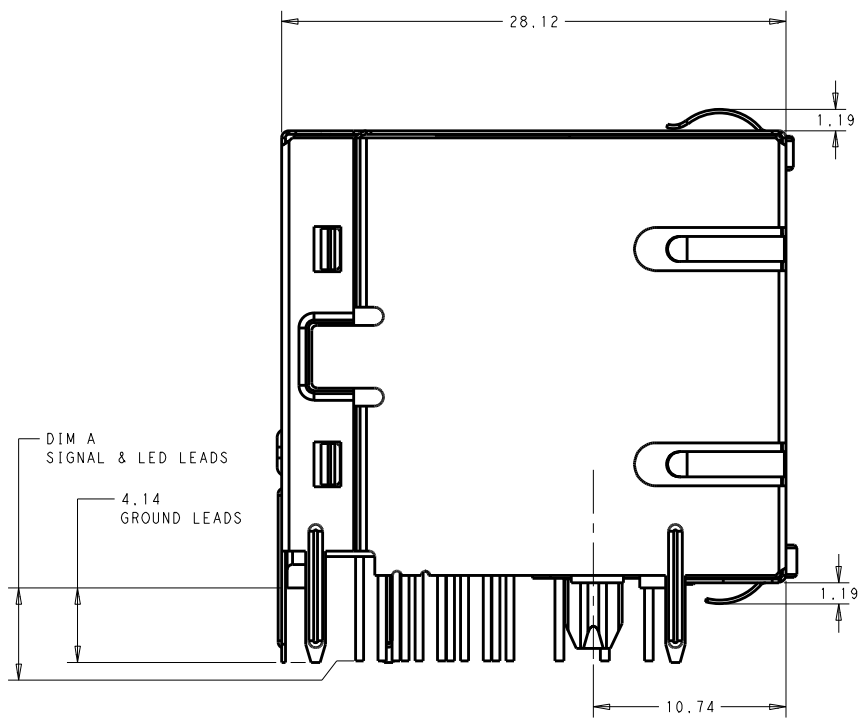
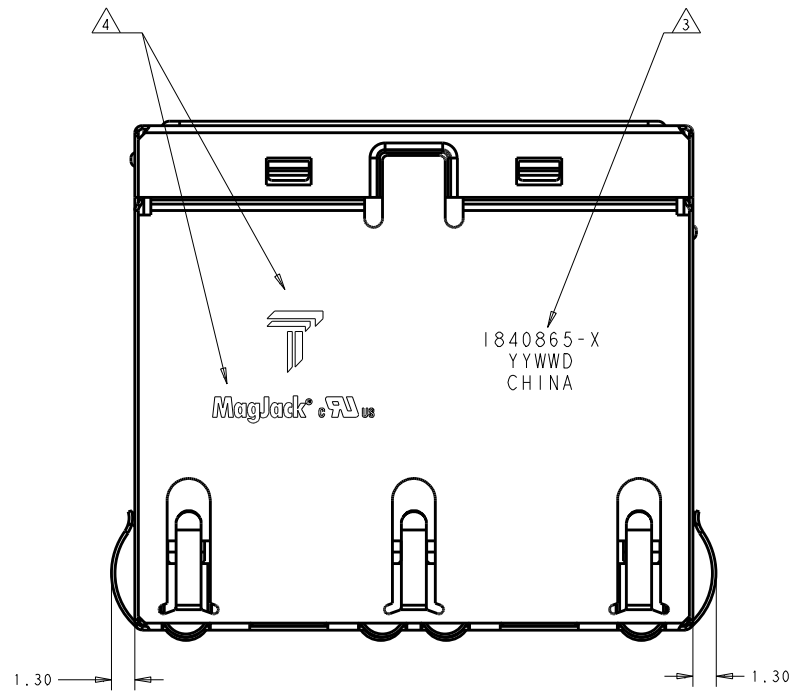


C1 = 1000pF, 2kV, X7R DECOUPLING CAP
 R1-R4 = 75 Ohms, RESISTORS

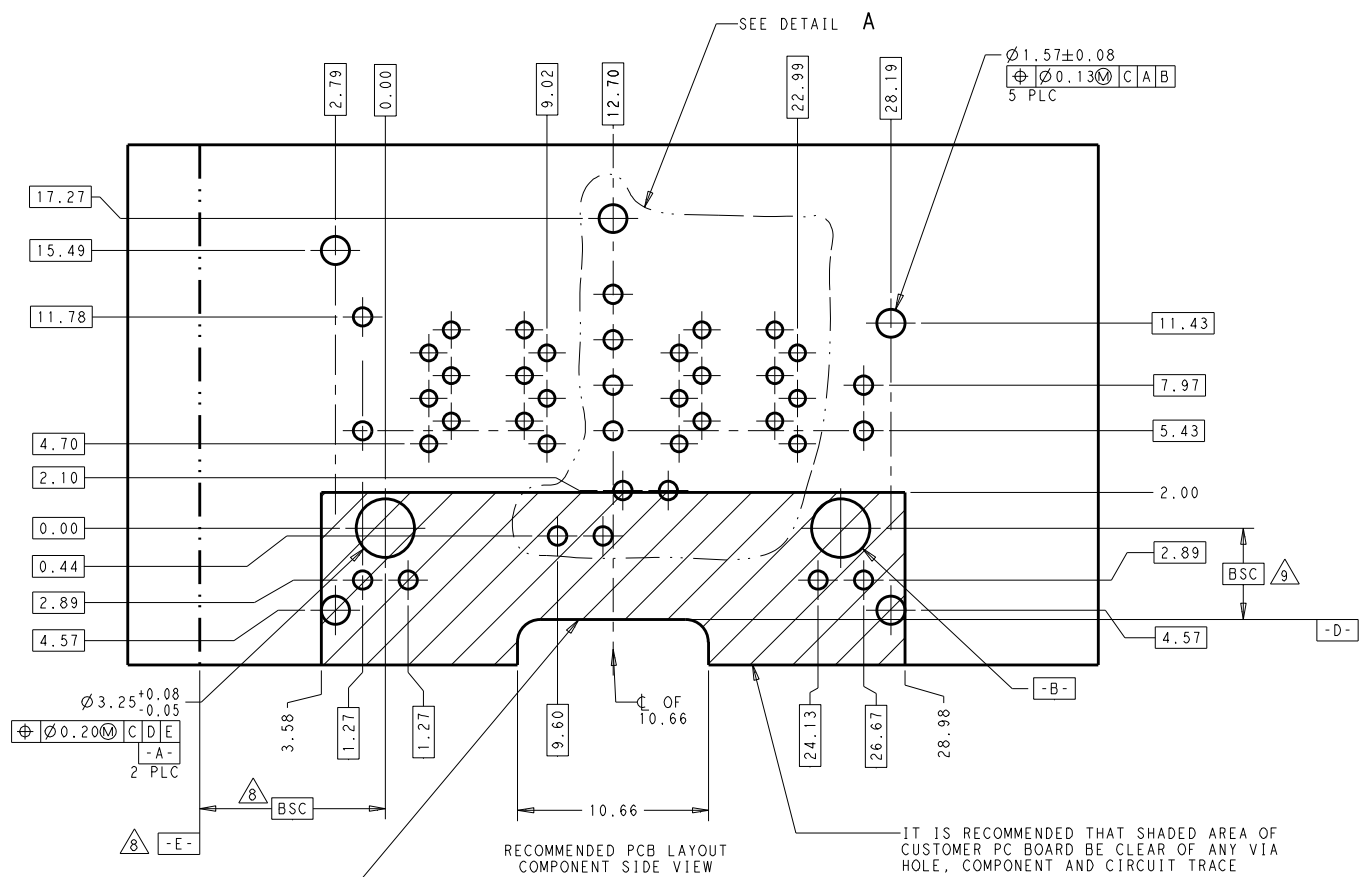
1. MATERIALS:
 PLASTIC HOUSING: BLACK, THERMOPLASTIC FLAMMABILITY RATING UL 94V-0
 SHIELD: BRASS, PREPLATED WITH 0.76um MIN SEMI-BRIGHT NICKEL,
 POST DIPPED WITH 2.54um MIN SAC SOLDER ON SOLDER TAILS,
 CONTACTS: PHOSPHOR BRONZE, 1.27um MIN OVERALL NICKEL
 UNDERPLATE WITH SELECTED 1.27um MIN GOLD AT MATING INTERFACE
 AND 2.54um MIN MATTE TIN ON SOLDER TAILS.
 LED: DIFFUSED EPOXY LENS, CARBON STEEL LEAD FRAME TAILS OF LED
 ARE PREPLATED WITH 2.03um MIN SILVER OVER 1.02um MIN NICKEL
 UNDERPLATE OVER 1.02um MIN COPPER UNDERPLATE. POST-PLATED WITH
 2.54um MIN MATTE TIN AND/OR SAC SOLDER DIP OR PURE TIN SOLDER DIP
2. MAGNETICS
 APPLICATION: 10/100 BASE-T
 IMPEDANCE: 100 OHMS
 TURNS RATIO (CHIP:CABLE): TX = 1:1, RX = 1:1
 OPEN CIRCUIT INDUCTANCE (OCL): 350uH MIN @100kHz, 0.1VRMS,
 8mADC BIAS FROM 0°C TO 70°C, TX AND RX
 PERFORMANCE @ 25°C:
 INSERTION LOSS (IL): 1.1dB MAX FROM 0.5MHz TO 100MHz
 RETURN LOSS (RL): 18dB MIN FROM 0.5MHz TO 30MHz
 18-20LOG(f/30)dB MIN FROM 30.1MHz TO 60MHz
 12dB MIN FROM 60.1MHz TO 80MHz
 CROSSTALK ATTENUATION: 35dB MIN FROM 0.5MHz TO 40MHz
 33-20LOG(f/50)dB MIN FROM 40.1MHz TO 100MHz
 COMMON MODE REJECTION RATIO (CMRR): 30dB MIN FROM 0.5MHz TO 100MHz
 ISOLATION VOLTAGE: 2250VDC (MAX) FOR 60 SECONDS WITH A RISE TIME OF
 500V/SEC AND WITH ALL PORTS CONNECTED.
3. PART NUMBER, DATE CODE AND COUNTRY OF ORIGIN ARE
 LOCATED IN APPROXIMATE AREA SHOWN. DATE CODE: YYWW WHERE "YY" IS YEAR,
 "WW" IS WEEK, "D" IS DAY OF WEEK, WITH SUNDAY=1.
4. TRP LOGO AND AGENCY APPROVAL LOGO ARE
 LOCATED IN APPROXIMATE AREA SHOWN.
5. OPERATING TEMP: FROM 0°C TO +70°C.
6. RJ45 CAVITY CONFORMS TO FCC RULES AND REGULATION PART 68 SUBPART F.
7. INDICATED MAGNETIC CONNECTIONS ARE SYMMETRICAL AND
 SUPPORT AUTO-MDI/MDIX.
8. DATUM AND BASIC DIMENSION ESTABLISHED BY CUSTOMER.
9. BASIC DIMENSION ESTABLISHED BY CUSTOMER, BUT MAY NOT BE
 GREATER THAN 5.08mm.
10. LEDs ARE DRIVEN WITH CONSTANT CURRENT AT APPROX 20mA
 LED COLOR: DOMINANT WAVELENGTH (λD): GREEN 568 nm TYP. @ IF=20mA
 FORWARD VOLTAGE (VF): GREEN 2.2V TYP. @ IF=20mA
 DOMINANT WAVELENGTH (λD): YELLOW 588 nm TYP. @ IF=20mA
 FORWARD VOLTAGE (VF): YELLOW 2.1V TYP. @ IF=20mA
11. THE PARTS ARE RECOMMENDED FOR WAVE SOLDERING PROCESS,
 PEAK TEMPERATURE 260°C MAX, 10 SECONDS MAX.

3.04	GRN/YEL	GRN/YEL	GRN/YEL	GRN/YEL	1-1840865-4
4.06	GRN/YEL	GRN/YEL	GRN/YEL	GRN/YEL	1840865-4
DIM A	BOTTOM LED 2	BOTTOM LED 1	TOP LED 2	TOP LED 1	PART NUMBER

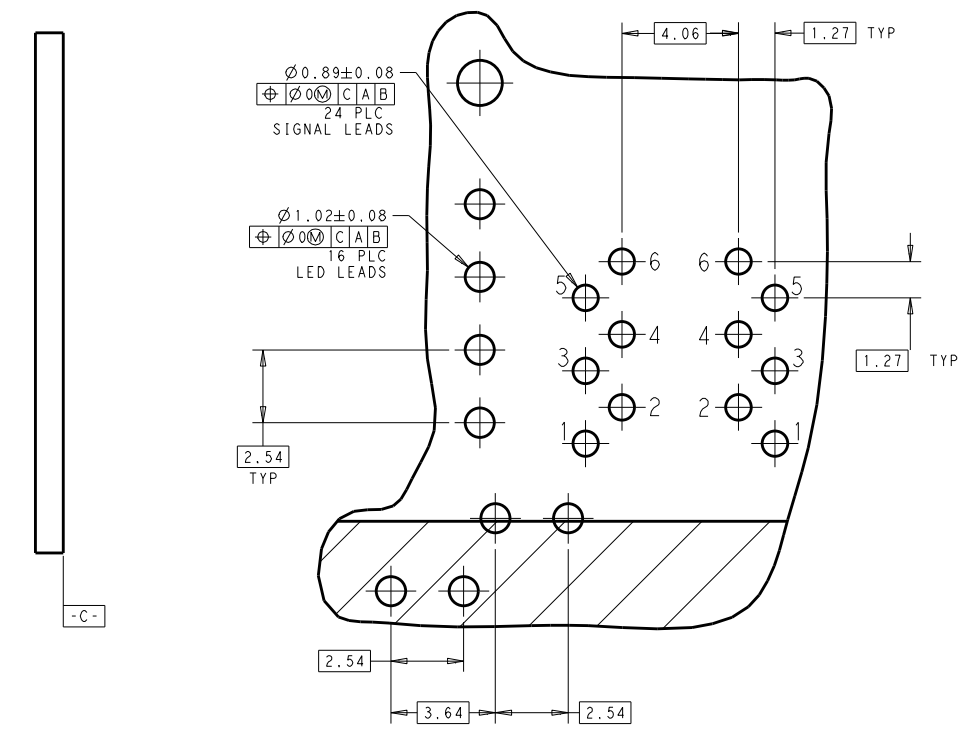
THIS DRAWING IS A CONTROLLED DOCUMENT.		DIMENSIONS: mm TOLERANCES UNLESS OTHERWISE SPECIFIED: 0 PLC ± 1 PLC ± 2 PLC ±0.25 3 PLC ± 4 PLC ± ANGLES ±		TRP CONNECTOR DONGGUAN CHINA 2X2 10/100 CIRCUIT W/ LED	
DIMENSIONS: mm TOLERANCES UNLESS OTHERWISE SPECIFIED: 0 PLC ± 1 PLC ± 2 PLC ±0.25 3 PLC ± 4 PLC ± ANGLES ±	PRODUCT SPEC 108-104004	APPLICATION SPEC -	MODEL NAME MAGJACK STACK NON-POE	SIZE A1	DRAWING NO 1840865
CUSTOMER DRAWING			SCALE	SHEET 1 OF 4	REV F



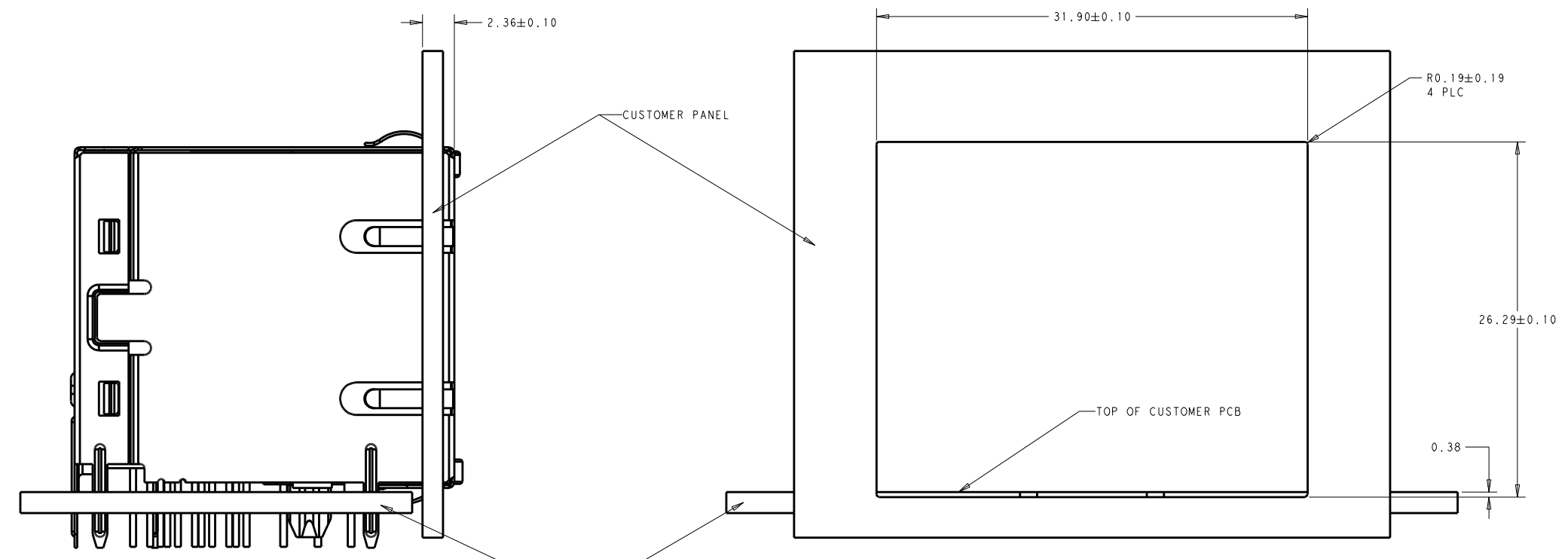
THIS DRAWING IS A CONTROLLED DOCUMENT.		DRN TOM HSU 19NOV2010	<p>trp CONNECTOR DONGGUAN CHINA</p>																													
DIMENSIONS: mm		CHK TONY YUAN 19NOV2010																														
TOLERANCES UNLESS OTHERWISE SPECIFIED:		APVD KEITH ZHU 19NOV2010																														
<table border="1"> <tr><td>0 PLC</td><td>±</td></tr> <tr><td>1 PLC</td><td>±</td></tr> <tr><td>2 PLC</td><td>±0.25</td></tr> <tr><td>3 PLC</td><td>±</td></tr> <tr><td>4 PLC</td><td>±</td></tr> </table>	0 PLC	±	1 PLC	±	2 PLC	±0.25	3 PLC	±	4 PLC	±	<table border="1"> <tr><td>MODEL NAME</td><td>DESC</td></tr> <tr><td>MAGJACK</td><td>2X2 10/100 CIRCUIT W/ LED</td></tr> <tr><td>PRODUCT SPEC</td><td>SIZE</td></tr> <tr><td>108-104004</td><td>A1</td></tr> </table>	MODEL NAME	DESC	MAGJACK	2X2 10/100 CIRCUIT W/ LED	PRODUCT SPEC	SIZE	108-104004	A1	<table border="1"> <tr><td>CAGE CODE</td><td>DRAWING NO</td><td>RESTRICTED TO</td></tr> <tr><td></td><td>1840865</td><td></td></tr> <tr><td>CUSTOMER DRAWING</td><td>SCALE</td><td>SHEET 2 OF 4</td></tr> <tr><td></td><td>NTS</td><td>REV F</td></tr> </table>	CAGE CODE	DRAWING NO	RESTRICTED TO		1840865		CUSTOMER DRAWING	SCALE	SHEET 2 OF 4		NTS	REV F
0 PLC	±																															
1 PLC	±																															
2 PLC	±0.25																															
3 PLC	±																															
4 PLC	±																															
MODEL NAME	DESC																															
MAGJACK	2X2 10/100 CIRCUIT W/ LED																															
PRODUCT SPEC	SIZE																															
108-104004	A1																															
CAGE CODE	DRAWING NO	RESTRICTED TO																														
	1840865																															
CUSTOMER DRAWING	SCALE	SHEET 2 OF 4																														
	NTS	REV F																														



RECOMMENDED PCB FRONT EDGE CUTOUT:
THE BOTTOM SHIELD GROUND TABS(FRONT)
SHOULD NOT BE SEATED ON THE TOP OF THE PCB



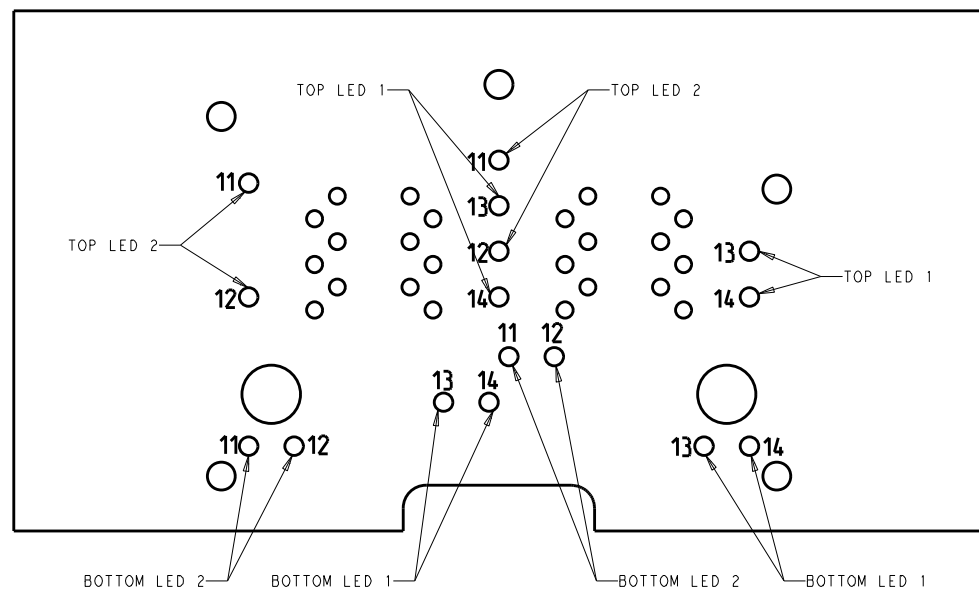
DETAIL A
SCALE 8:1



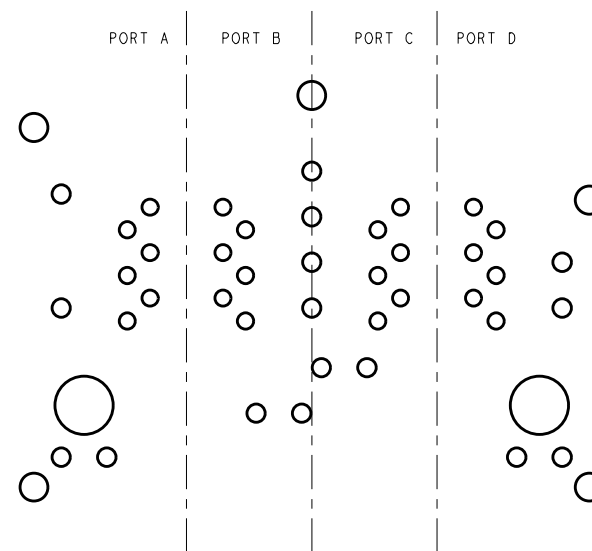
SHOWN WITH PANEL AND
CUSTOMER PCB ASSEMBLY

SUGGESTED PANEL CUTOUT DIMENSIONS

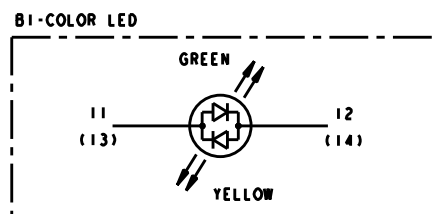
THIS DRAWING IS A CONTROLLED DOCUMENT.		DATE: 19NOV2010	BY: TOM HSU	CHK: TONY YUAN	DATE: 19NOV2010	 DONGGUAN CHINA
DIMENSIONS: mm		TOLERANCES UNLESS OTHERWISE SPECIFIED:		APVD: KEITH ZHU		
		0 PLC ±	1 PLC ±	2 PLC ±0.25	3 PLC ±	MODEL NAME: MAGJACK
PRODUCT SPEC: 108-104004		APPLICATION SPEC: -		ANGLES: -		DESC: 2X2 10/100 CIRCUIT W/ LED
CUSTOMER DRAWING		SCALE: NTS		SHEET: 3 OF 4		REV: F


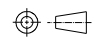


LED HOLE DESIGNATIONS
VIEWED FROM COMPONENT SIDE



PORT DESIGNATIONS
VIEWED FROM COMPONENT SIDE



THIS DRAWING IS A CONTROLLED DOCUMENT.		DRN TOM HSU 19NOV2010	 DONGGUAN CHINA
DIMENSIONS: mm		CHK TONY YUAN 19NOV2010	
TOLERANCES UNLESS OTHERWISE SPECIFIED:		APVD KELETH ZHU 19NOV2010	DESC 2X2 10/100 CIRCUIT W/ LED
		MODEL NAME MAGJACK	SIZE A1
PRODUCT SPEC 108-104004	APPLICATION SPEC -	CUSTOMER DRAWING	RESTRICTED TO - SCALE NTS SHEET 4 OF 4 REV F