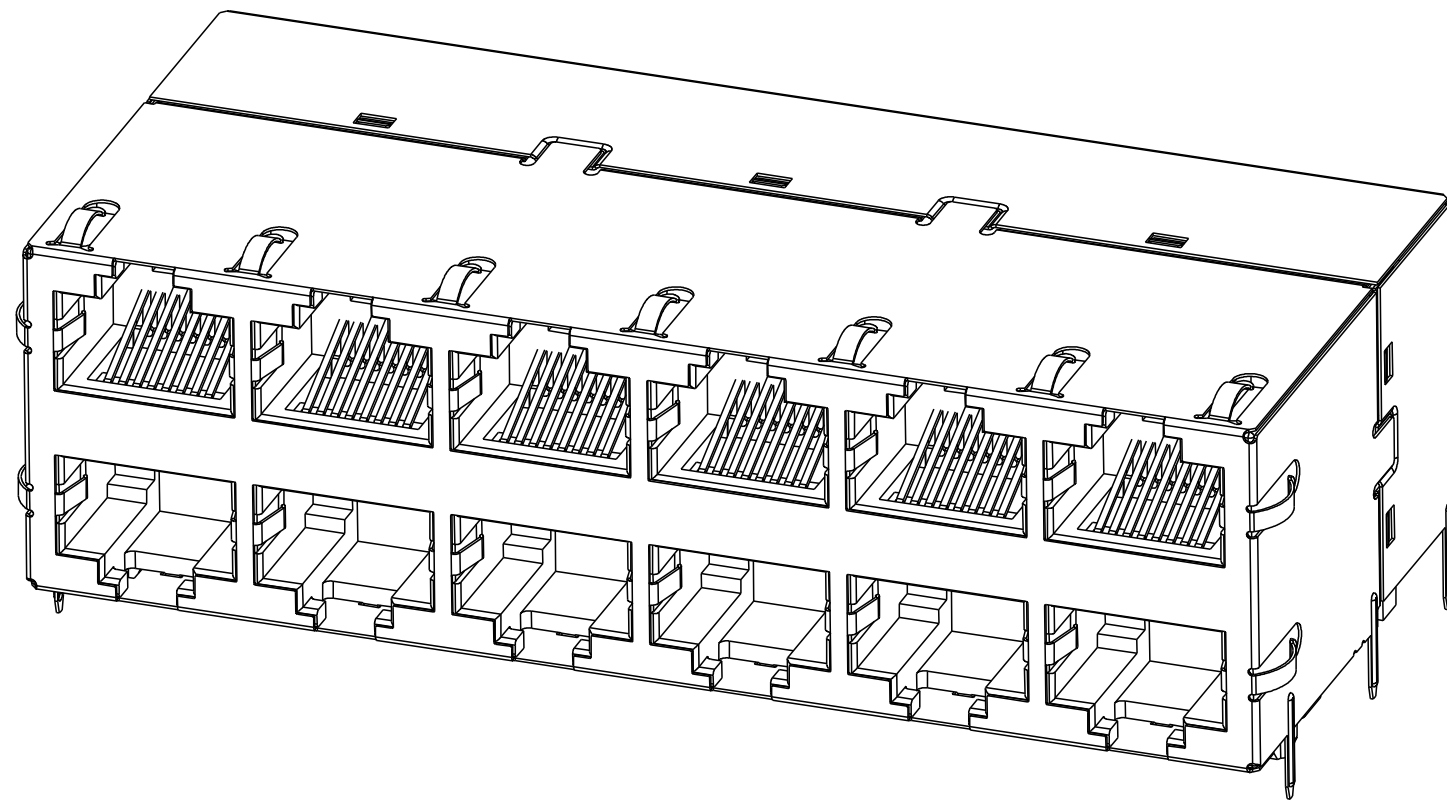


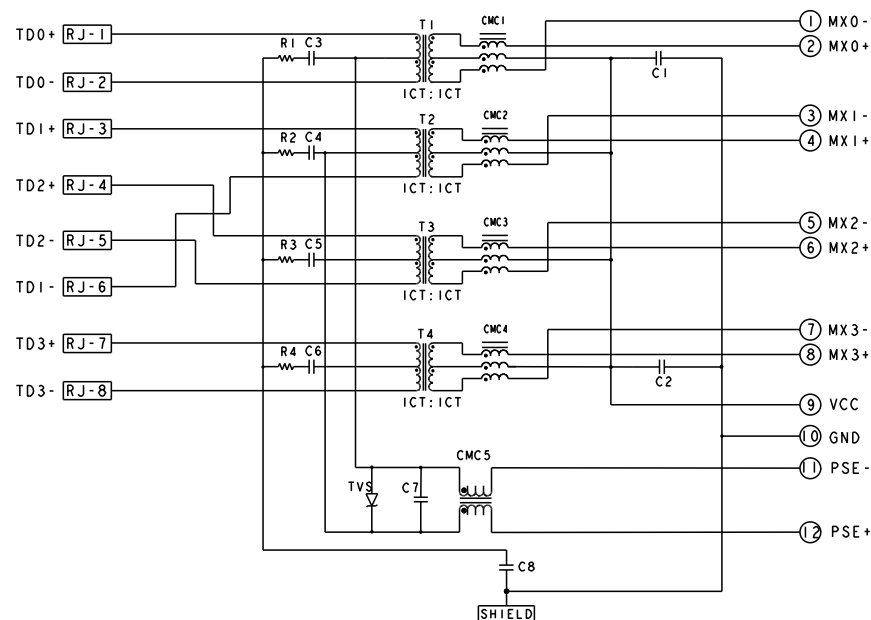
THIS DRAWING AND THE SUBJECT MATTER SHOWN THEREON ARE CONFIDENTIAL AND THE PROPERTY OF BEL/STEWART/TRP CONNECTOR AND SHALL NOT BE REPRODUCED, COPIED, OR USED IN ANY MANNER WITHOUT THE WRITTEN CONSENT OF TRP CONNECTOR.

PRODUCT MAY BE PROTECTED BY ONE OR MORE OF THE FOLLOWING US PATENTS:
 5736910 5939955 6425781 6428361 6554638 6840817 7123117
 7429195 7717749 7808751 6217391 6149050 7924130

REVISIONS				
#	LTN	DESCRIPTION	DATE	DWN APVD
C		LOGO CHANGE	18APR2013	RL KZ
D		EC-1411035 COMPANY LOGO CHANGE	20JAN2015	TR TY



S9HG70ET GIGABIT PoE+ CIRCUIT $\Delta\Delta$
 TOP AND BOTTOM PORTS

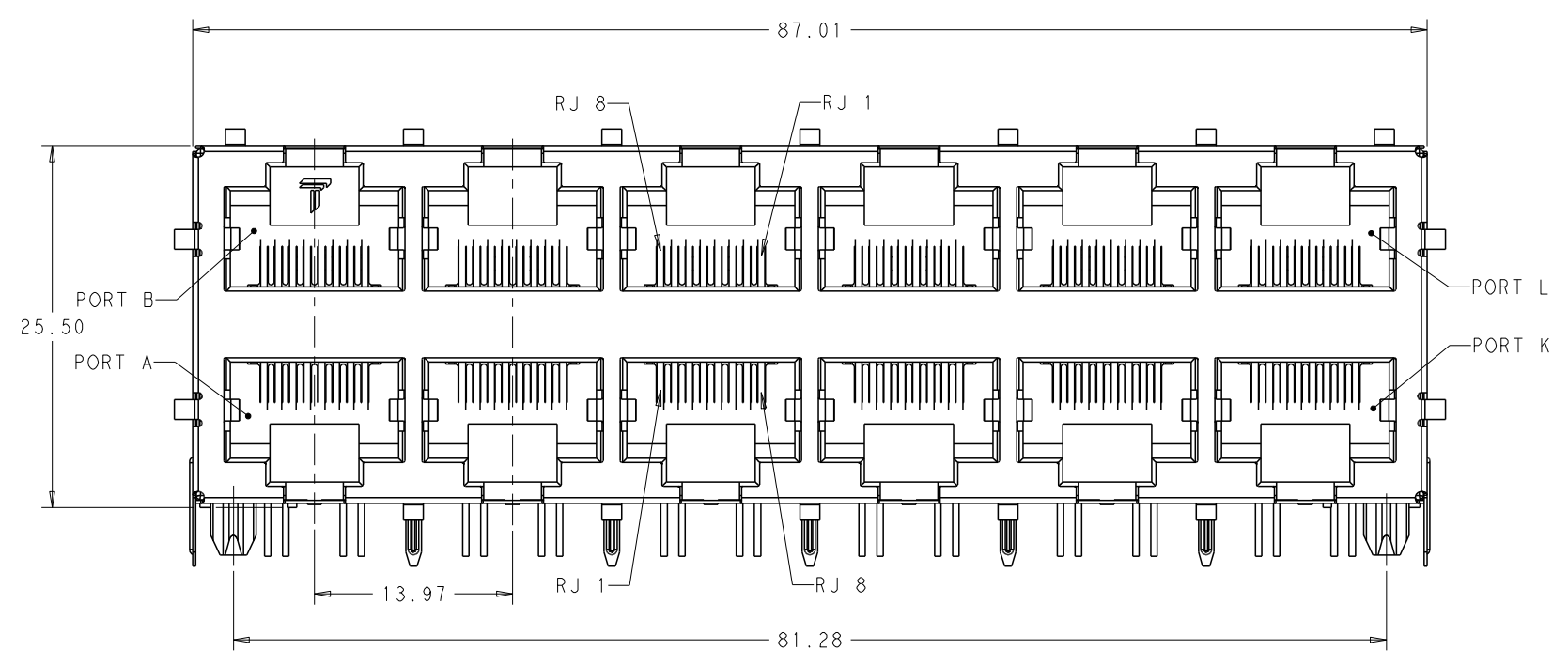
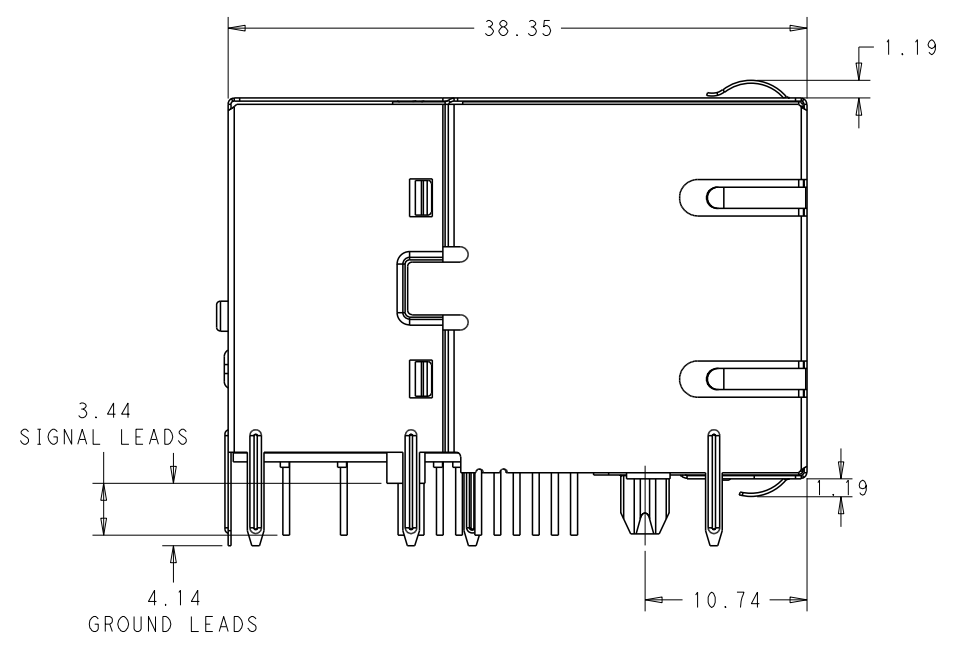
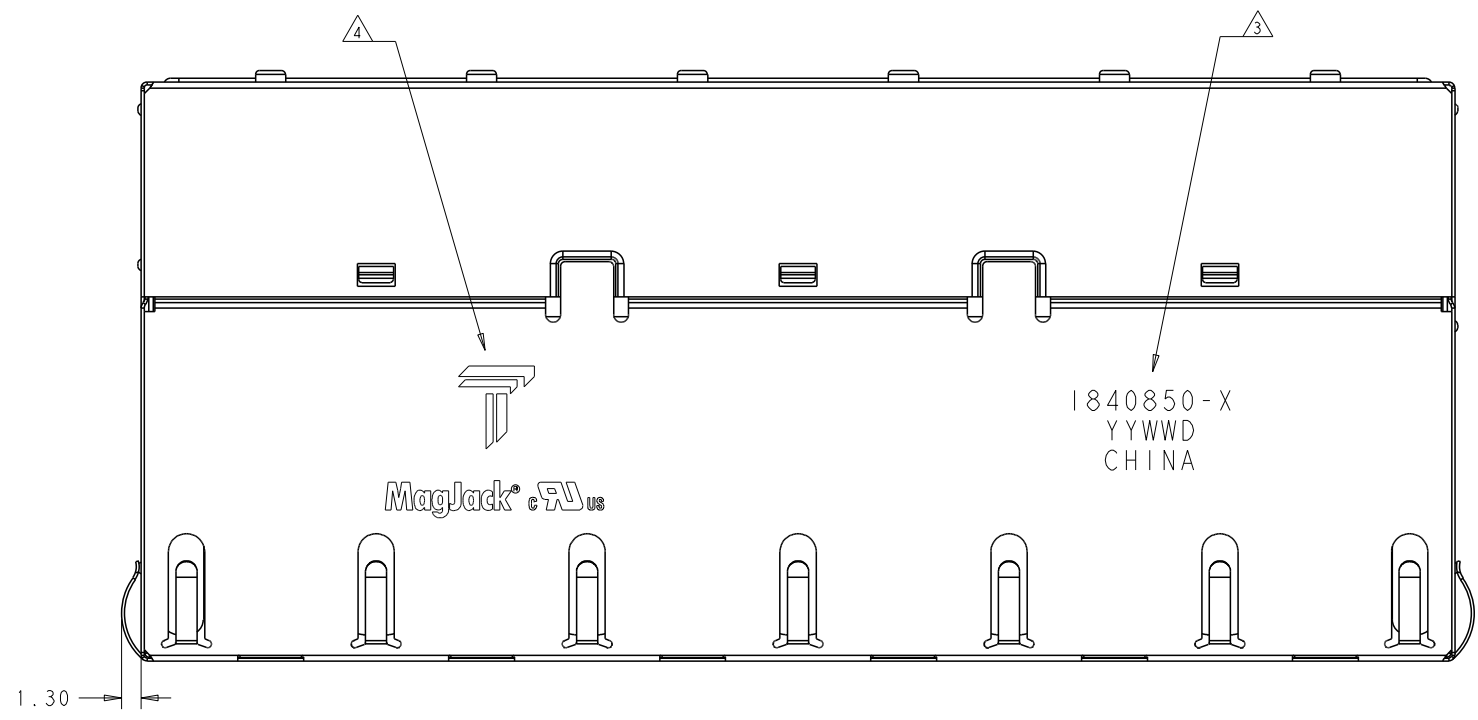



C1-C2 = 10nF, 50V, CAPACITORS
 C3-C6 = 22nF, 100V, CAPACITORS
 C7 = 100nF, 100V, CAPACITORS
 C8 = 1000pF, 2KV, DECOUPLING CAPACITOR
 R1-R4 = 75 Ohms, RESISTORS
 TVS = Vrsv:58V; Ipp:6.4A

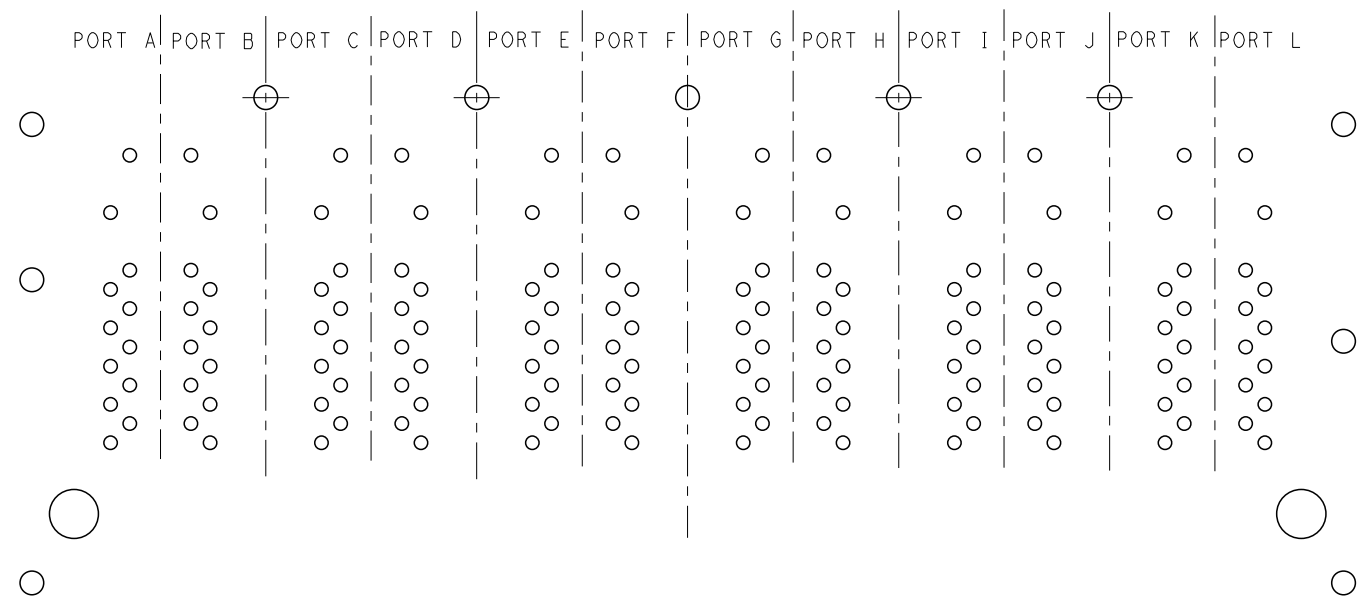
1. MATERIALS:
 PLASTIC HOUSING: BLACK, THERMOPLASTIC FLAMMABILITY RATING UL 94V-0
 SHIELD: BRASS, PREPLATED WITH 0.76um MIN SEMI-BRIGHT NICKEL,
 POST DIPPED WITH 2.54um MIN SAC SOLDER ON SOLDER TAILS,
 CONTACTS: PHOSPHOR BRONZE, 1.27um MIN OVERALL NICKEL
 UNDERPLATE WITH SELECTED 0.762um MIN GOLD AT MATING INTERFACE
 AND 2.54um MIN MATTE TIN ON SOLDER TAILS.
 ALL PC BOARDS: HIGH TEMPERATURE PCB, TG>170°C
- Δ MAGNETICS
 APPLICATION: 10/100/1000 EXTENDED TEMPERATURE PoE PLUS
 IMPEDANCE: 100 OHMS
 TURNS RATIO (CHIP:CABLE): 1:1 ALL FOUR PAIRS
 OPEN CIRCUIT INDUCTANCE (OCL): 350uH MIN @100kHz, 0.1VRMS,
 20mADC BIAS FROM -40°C TO 85°C, ACROSS RJ1-RJ2 & RJ3-RJ6
 8mADC BIAS FROM -40°C TO 85°C, ACROSS RJ4-RJ5 & RJ7-RJ8
 ALL FOUR PAIRS BI-DIRECTIONAL
 POE CURRENT: 1. RATED CURRENT: 600 mA; 2. MAXIMUM CURRENT: 840 mA.
 PERFORMANCE @ 25°C:
 INSERTION LOSS (IL): 1.5dB MAX FROM 0.5MHz TO 100MHz
 RETURN LOSS (RL): 18dB MIN FROM 0.5MHz TO 40MHz
 12-20LOG(f/80)dB MIN FROM 40.1MHz TO 100MHz
 CROSSTALK ATTENUATION: 35dB MIN FROM 0.5MHz TO 40MHz
 33-20LOG(f/50)dB MIN FROM 40.1MHz TO 100MHz
 COMMON MODE REJECTION RATIO (CMRR): 30dB MIN FROM 0.5MHz TO 100MHz
 ISOLATION VOLTAGE: 2250VDC(MAX) FOR 60 SECONDS WITH A RISE TIME OF
 500V/SEC AND WITH ALL PORTS CONNECTED.
- Δ PART NUMBER, DATE CODE AND COUNTRY OF ORIGIN ARE
 LOCATED IN APPROXIMATE AREA SHOWN. DATE CODE: YYWW "YY" IS YEAR, "WW"
 IS WORK WEEK, "D" IS DAY OF WEEK, WITH SUNDAY=1
- Δ TRP CONNECTOR LOGO AND AGENCY APPROVAL LOGO ARE
 LOCATED IN APPROXIMATE AREA SHOWN.
5. OPERATING TEMP: FROM -40°C TO 85°C.
6. RJ45 CAVITY CONFORMS TO FCC RULES AND REGULATION PART 68 SUBPART F.
- Δ INDICATED MAGNETIC CONNECTIONS ARE SYMMETRICAL AND
 SUPPORT AUTO-MDI/MDIX.
- Δ DATUM AND BASIC DIMENSION ESTABLISHED BY CUSTOMER.
- Δ BASIC DIMENSION ESTABLISHED BY CUSTOMER, BUT MAY NOT BE
 GREATER THAN 5.08mm.
10. THE PARTS ARE RECOMMENDED FOR WAVE SOLDERING PROCESS,
 PEAK TEMPERATURE 260°C MAX, 10 SECONDS MAX.

1840850-1
 PART
 NUMBER


THIS DRAWING IS A CONTROLLED DOCUMENT.		DWN TOMMY REN/KO LI 02NOV2010	TRP CONNECTOR a bel group	DONGGUAN CHINA
DIMENSIONS: mm		CHK TONY YUAN 02NOV2010		MODEL NAME
TOLERANCES UNLESS OTHERWISE SPECIFIED:		APPD KEITH ZHU 02NOV2010	MAGJACK	2X6 S9HG70ET GIGABIT PoE+ W/O LED
0 PLC ± 1 PLC ± 2 PLC ±0.25 3 PLC ± 4 PLC ± ANGLES ±		PRODUCT SPEC 108-104004	STACK POE PLUS	SIZE A1
APPLICATION SPEC		CUSTOMER DRAWING	SCALE 4:1	SHEET 1 OF 4 REV D



THIS DRAWING IS A CONTROLLED DOCUMENT.		DWN: TOMMY REN/KO.LI 02NOV2010	 DONGGUAN CHINA
DIMENSIONS: mm		CHK: TONY YUAN 02NOV2010	
TOLERANCES UNLESS OTHERWISE SPECIFIED:		APP'D: KEITH ZHU 02NOV2010	
0 PLC ± 1 PLC ± 2 PLC ±0.25 3 PLC ± 4 PLC ± ANGLES ±	PRODUCT SPEC 108-104004	MODEL NAME MAGJACK STACK POE PLUS	DESC 2X6 S9HG70ET GIGABIT PoE+ W/O LED
APPLIC. SPEC		SIZE: A1	CAGE CODE: 1840850 DRAWING NO: 108-104004 RESTRICTED TO: - SCALE: 4:1 SHEET 2 OF 4 REV D



PORT ASSIGNMENT
COMPONENT SIDE VIEW

THIS DRAWING IS A CONTROLLED DOCUMENT.		DWN TOMMY REN/KO LI 02NOV2010		 DONGGUAN CHINA
DIMENSIONS: mm		CHK TONY YUAN 02NOV2010		
TOLERANCES UNLESS OTHERWISE SPECIFIED:		APP'D KEITH ZHU 02NOV2010		DESC 2X6 S9HG70ET GIGABIT PoE+ W/O LED
0 PLC ± 1 PLC ± 2 PLC ±0.25 3 PLC ± 4 PLC ± ANGLES ±		MODEL NAME MAGJACK		SIZE A1
PRODUCT SPEC 108-104004		APPLICATION SPEC -		DRAWING NO C=1840850
CUSTOMER DRAWING				RESTRICTED TO -
SCALE 4:1				SHEET 4 OF 4 REV D