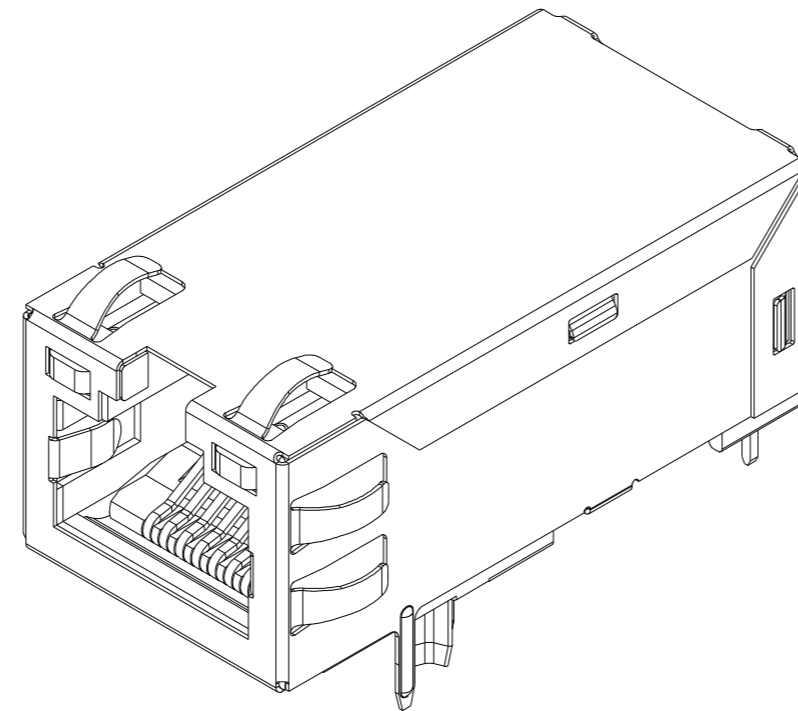
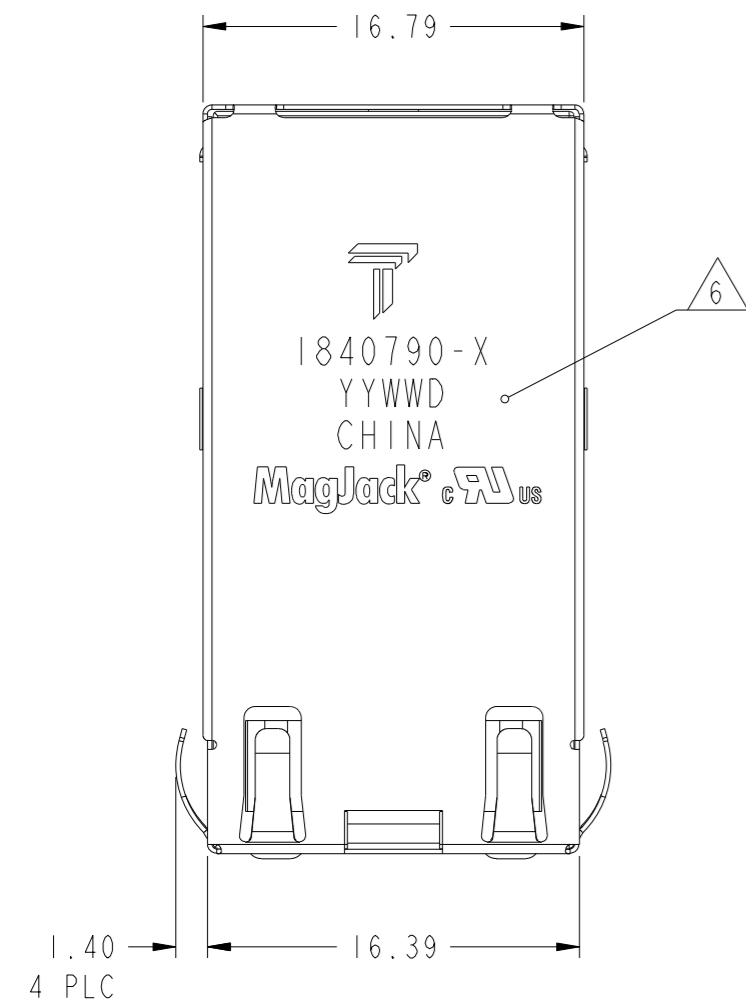


THIS DRAWING AND THE SUBJECT MATTER SHOWN THEREON ARE CONFIDENTIAL AND THE PROPERTY OF BEL/STEWART/TRP CONNECTOR AND SHALL NOT BE REPRODUCED, COPIED, OR USED IN ANY MANNER WITHOUT THE WRITTEN CONSENT OF TRP CONNECTOR.

PRODUCT MAY BE PROTECTED BY ONE OR MORE OF THE FOLLOWING US PATENTS:
 5736910 5939955 6425781 6428361 6554638 6840817 7123117
 7429195 7717749 7808751 6217391 6149050 7924130

REVISIONS				
P	LTR	DESCRIPTION	DATE	APVD
6		EC-1411035 COMPANY LOGO CHANGE	29DEC2014	DP TY



1. MATERIALS

HOUSING: THERMOPLASTIC, BLACK, FLAMMABILITY RATING UL 94V-0
 SHIELD: BRASS, 0.20mm THICK, PREPLATED WITH MIN 0.76um SEMI-BRIGHT NICKEL POST DIPPED WITH 2.54um MIN SAC SOLDER AT GROUND PINS.
 CONTACT: PHOSPHOR BRONZE, 0.46mm X 0.30mm WITH 1.27um MIN OVERALL NICKEL UNDERPLATE AND SELECTIVE 1.27um MIN GOLD PLATING AT MATING INTERFACE
 SOLDER TAIL: 0.25mm THICK, PHOSPHOR BRONZE, 1.27um MIN OVERALL NICKEL UNDERPLATE, 3um MIN TIN PLATE
 LIGHT PIPE: POLYCARBON, TRANSPARENT, RATING UL 94V-0
 LED: DIFFUSED EPOXY LENS, CARBON STEEL WIREFRAME LEADS PREPLATED WITH 2.03um MIN SILVER OVER 1.02um MIN NICKEL UNDERPLATE OVER 1.02um MIN COPPER UNDERPLATE; POST PLATED WITH 2.54um MIN MATTE TIN.

2. MAGNETICS

-APPLICATION: DEPEND ON CUSTOMER
 -IMPEDANCE: 100 OHMS
 -TURNS RATIO (CHIP:CABLE): 1:1
 -OPEN CIRCUIT INDUCTANCE (OCL): 350uH MIN @100kHz, 0.1VRMS, 8mA DC BIAS FROM 0°C TO 70°C, ALL FOUR PAIRS
 -PERFORMANCE @ 25°C:
 INSERTION LOSS (IL): 1.1dB MAX FROM 0.5MHz TO 100MHz
 RETURN LOSS (RL): 18dB MIN FROM 0.5MHz TO 40MHz
 12-20LOG(f/80)dB MIN FROM 40.1MHz TO 100MHz
 COMMON MODE REJECTION RATIO (CMRR): 30dB MIN FROM 0.5MHz TO 100MHz
 -ISOLATION VOLTAGE: 2250VDC (MAX) FOR 60 SECONDS WITH A RISE TIME OF 500V/SEC

3. OPERATING TEMPERATURE: 0°C ~ 70°C

4. LEDS ARE DRIVEN WITH CONSTANT CURRENT AT APPROX 20mA.

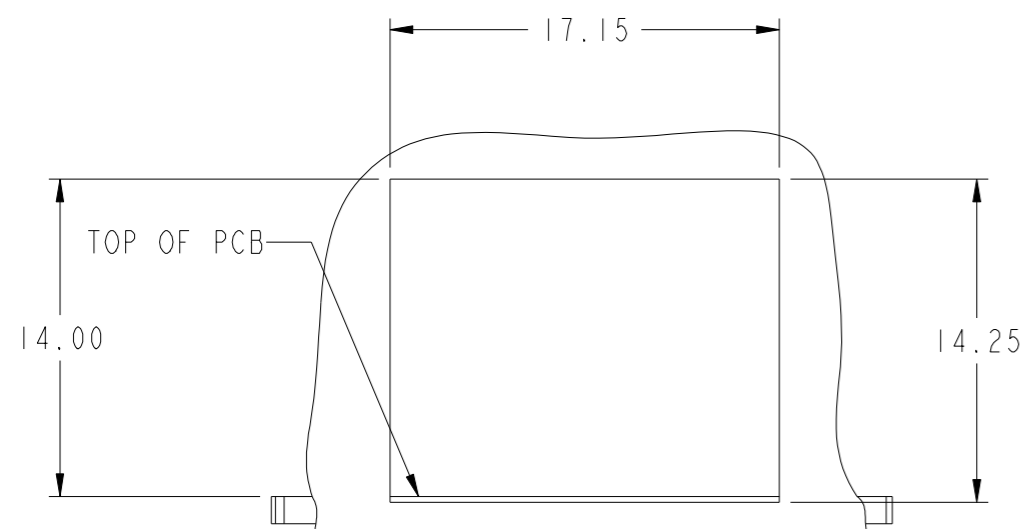
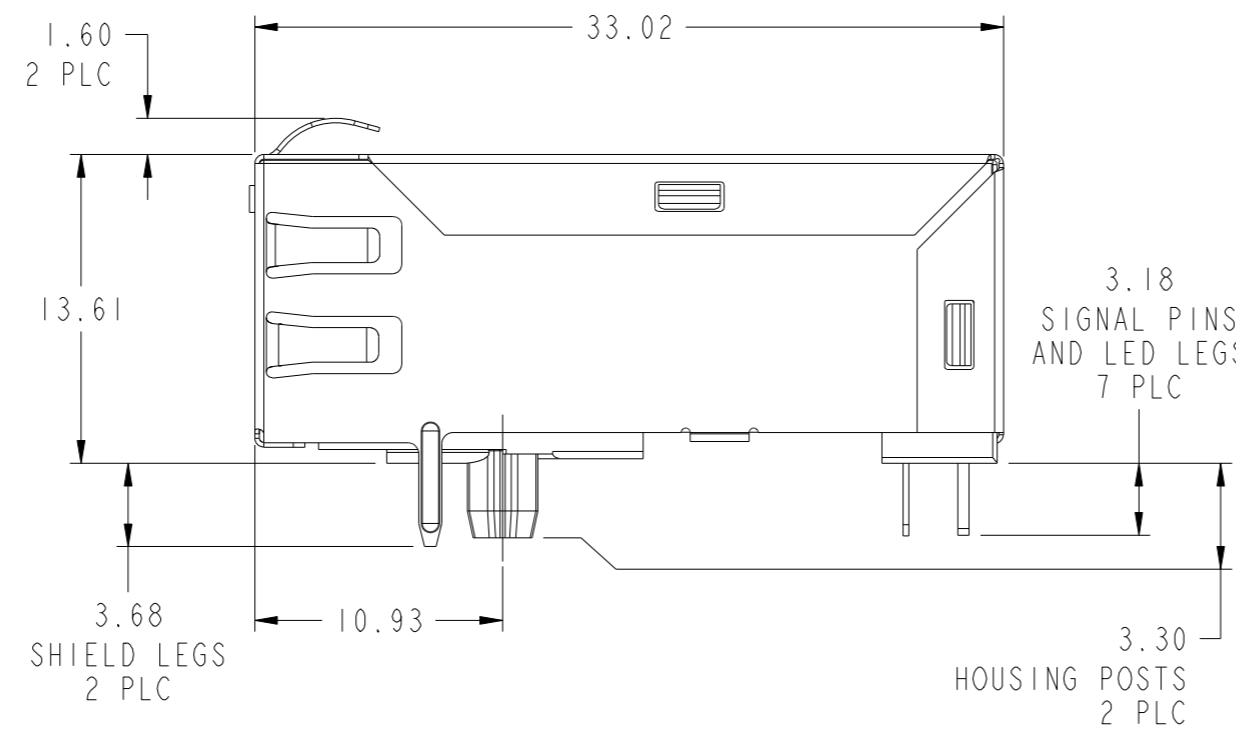
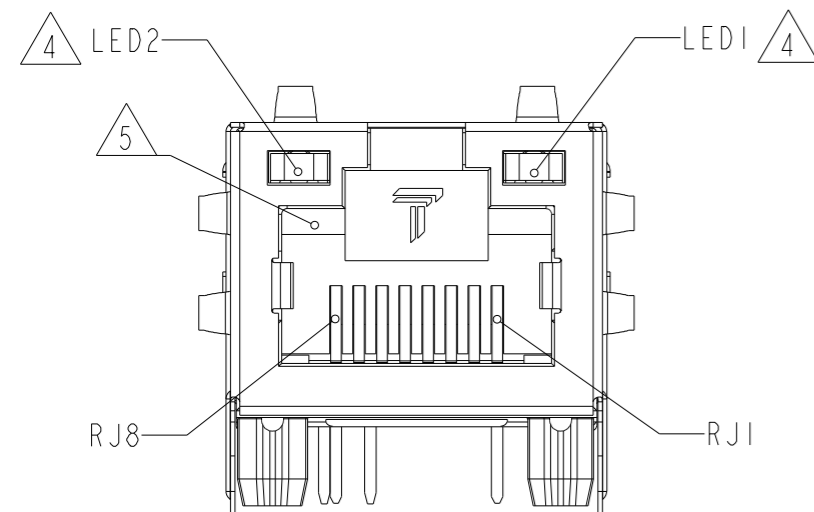
LED COLOR: DOMINANT WAVELENGTH (λD): GREEN 568 nm TYP. at IF=20mA
 FORWARD VOLTAGE (VF): GREEN 2.2V TYP. at IF=20mA
 DOMINANT WAVELENGTH (λD): YELLOW 588 nm TYP. at IF=20mA
 FORWARD VOLTAGE (VF): YELLOW 2.1V TYP. at IF=20mA

5. RJ45 CAVITY CONFORMS TO FCC RULES AND REGULATION PART 68 SUBPART F.

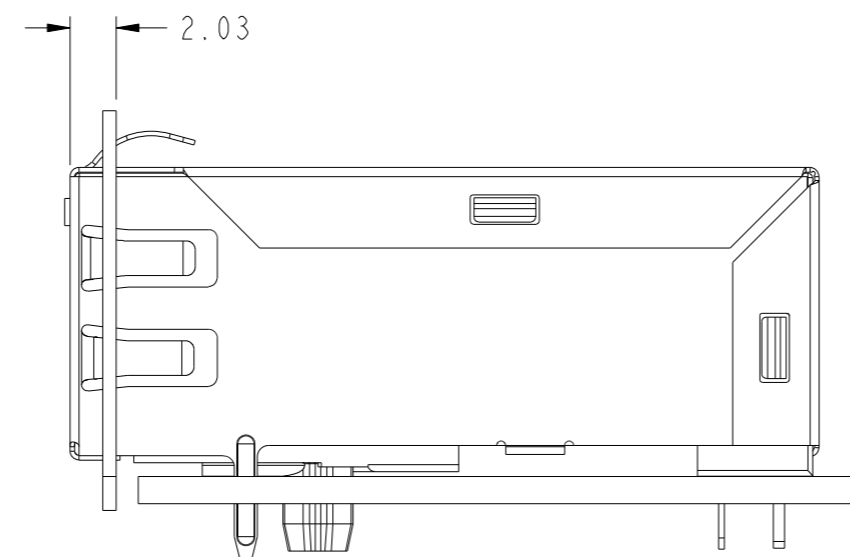
6. TRP CONNECTOR LOGO, PART NUMBER, DATE CODE, COUNTRY OF ORIGIN, AGENCY APPROVAL MARKING IN APPROPRIATE LOCATION SHOWN.

DATE CODE: YYWW "YY" IS YEAR, "WW" IS WORK WEEK, "D" IS DAY OF WEEK, WITH SUNDAY=1.

7. PART SHOULD BE RECOMMENDED FOR WAVE SOLDERING PROCESS, PEAK WAVE SOLDERING TEMPERATURE IS 260°C, 10sec MAX.



SUGGESTED PANEL CUTOUT VS CUSTOMER BOARD

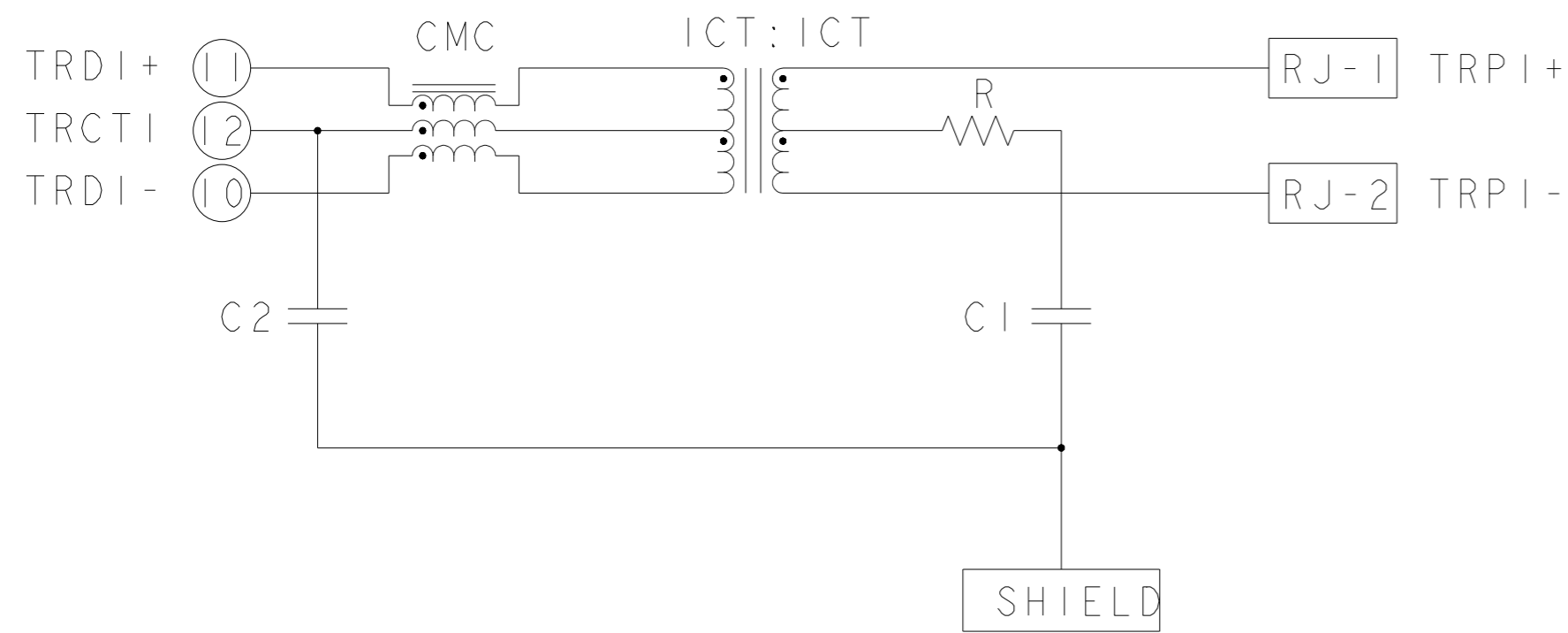


CONNECTOR ASSEMBLED TO PANEL AND PCB

THIS DRAWING IS A CONTROLLED DOCUMENT.		DWN RICK LI 27APR2010
DIMENSIONS: mm		CHK TONY YUAN 27APR2010
TOLERANCES UNLESS OTHERWISE SPECIFIED:		APVD KEITH ZHU 27APR2010
0 PLC ±		MODEL NAME
1 PLC ±0.25		MAGJACK
2 PLC ±0.25		SINGLE NON-POE
3 PLC ±0.25		
4 PLC ±		
ANGLES ±		
APPLICATION SPEC		
PRODUCT SPEC		

YELLOW	GREEN	1840790-1
LED1	LED2	PART NUMBER
trp CONNECTOR a bel group DONGGUAN CHINA		
DESC IXI N/A 10/100 TAB UP W/ LED		
SIZE A2	CAGE CODE C-1840790	RESTRICTED TO -
CUSTOMER DRAWING		SCALE NTS SHEET 1 OF 2 REV 6

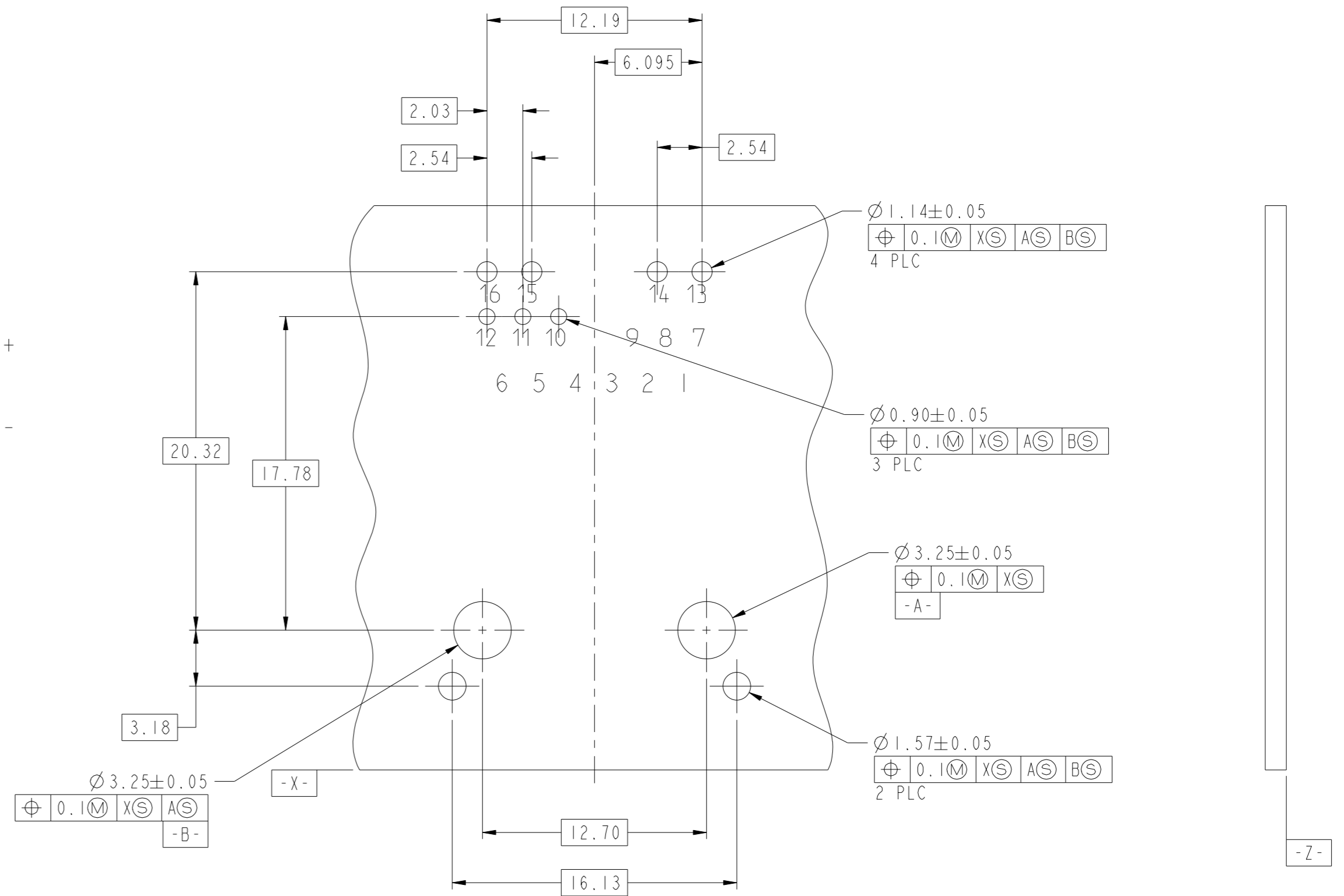
SCHMATIC 




C1=1000pF, 2KV, DECOUPLING CAPACITOR
 C2=100nF, CAPACITOR
 R=75 OHMS, RESISTOR



LED CONFIGURATION



SUGGESTED CUSTOMER PCB
 COMPONENT SIDE
 SCALE 4:1

THIS DRAWING IS A CONTROLLED DOCUMENT.		DWN RICK LI 27APR2010	 trp CONNECTOR a bel group DONGGUAN CHINA
DIMENSIONS: mm		CHK TONY YUAN 27APR2010	
TOLERANCES UNLESS OTHERWISE SPECIFIED:		APVD KEITH ZHU 27APR2010	
0 PLC ± 1 PLC ±0.25 2 PLC ±0.25 3 PLC ±0.25 4 PLC ± ANGLES ± APPLICATION SPEC		MODEL NAME MAGJACK SINGLE NON-POE	
PRODUCT SPEC		DESC IXI N/A 10/100 TAB UP W/ LED	
		SIZE A2	CAGE CODE C-1840790
		RESTRICTED TO	
		CUSTOMER DRAWING	
		SCALE NTS	SHEET 2 OF 2
		REV 6	