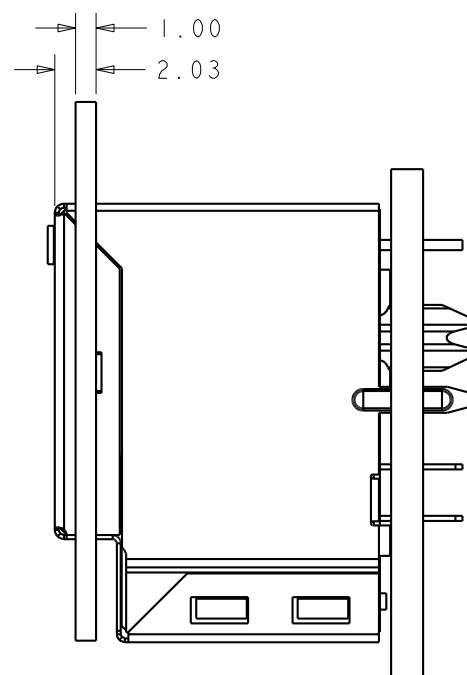
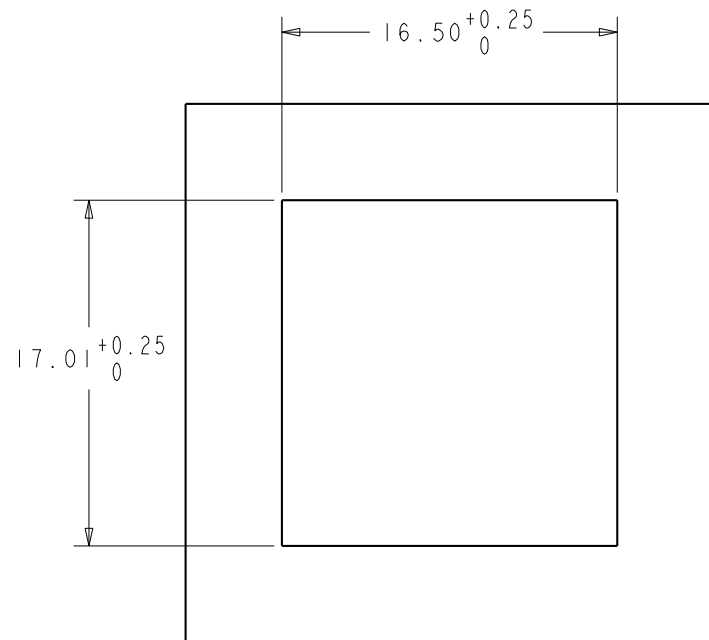
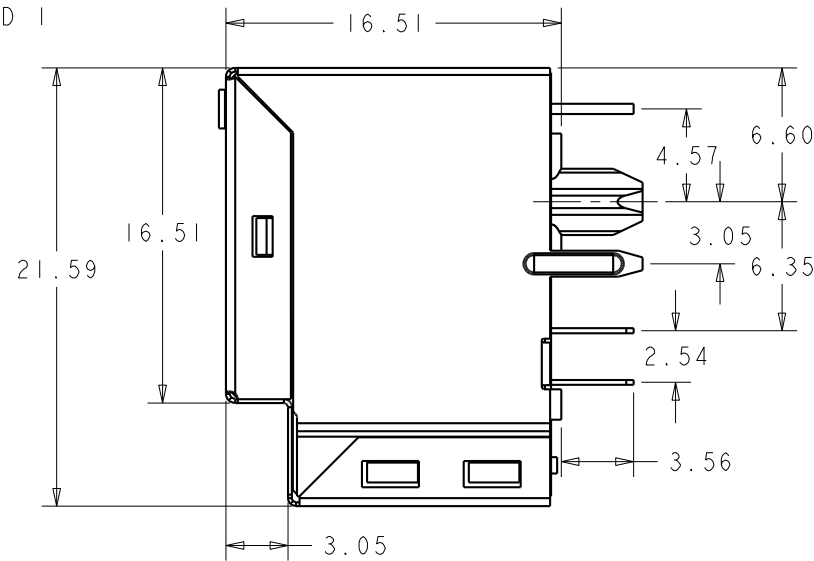
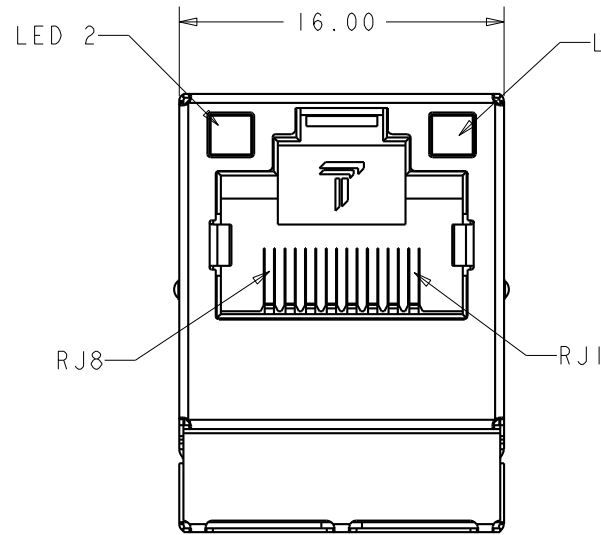
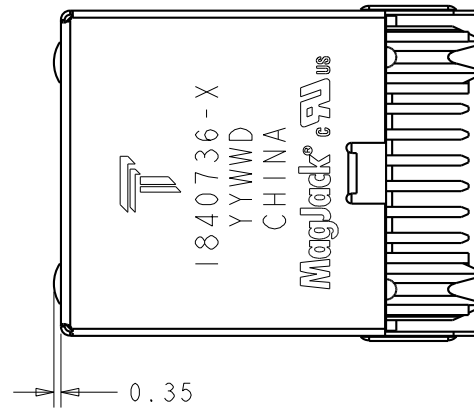
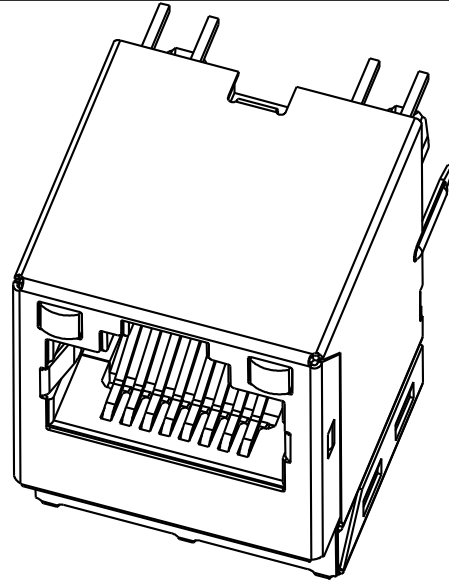


THIS DRAWING AND THE SUBJECT MATTER SHOWN THEREON ARE CONFIDENTIAL AND THE PROPERTY OF BEL/STEWART/TRP CONNECTOR AND SHALL NOT BE REPRODUCED, COPIED, OR USED IN ANY MANNER WITHOUT THE WRITTEN CONSENT OF TRP CONNECTOR.

PRODUCT MAY BE PROTECTED BY ONE OR MORE OF THE FOLLOWING US PATENTS:
 5736910 5939955 6425781 6428361 6554638 6840817 7123117
 7429195 7717749 7808751 6217391 6149050 7924130

REVISIONS				
P	LTR	DESCRIPTION	DATE	APVD
F		EC-1411035, LOGO CHANGE	07JAN2015	JC TY



1. MATERIALS

HOUSING: THERMOPLASTIC, BLACK, FLAMMABILITY RATED UL 94V-0
 SHIELD: BRASS, 0.20mm THICK, PREPLATED WITH MIN 0.76um SEMI-BRIGHT NICKEL POST DIPPED WITH 2.54um MIN SAC SOLDER AT GROUND PINS.
 CONTACT: PHOSPHOR BRONZE, WITH 1.27um MIN OVERALL NICKEL UNDERPLATE AND SELECTIVE 1.27um MIN GOLD PLATING AT MATING INTERFACE
 SOLDER TAIL: PHOSPHOR BRONZE, WITH 1.27um MIN OVERALL NICKEL UNDERPLATE AND PLATED WITH 2.54um MIN TIN
 LED: DIFFUSED EPOXY LENS, 0.50mm SQUARE CARBON STEEL WIREFRAME LEADS PREPLATED WITH 2.03um MIN SILVER OVER 1.02um MIN NICKEL OVER 1.02um MIN COPPER UNDERPLATE POST PLATED WITH 2.54um MIN TIN

MAGNETICS

- APPLICATION: 10/100 BASE-T, EXTENDED TEMPERATURE
 - IMPEDANCE: 100 OHMS
 - TURNS RATIO (CHIP:CABLE): TX = 1:1, RX = 1:1
 - OPEN CIRCUIT INDUCTANCE (OCL): 350uH MIN @100kHz, 0.1VRMS, 8mADC BIAS FROM -40°C TO +85°C, TX AND RX
 - PERFORMANCE @ 25°C:
 INSERTION LOSS (IL): 1.1dB MAX FROM 0.5MHz TO 100MHz
 RETURN LOSS (RL): 18dB MIN FROM 0.5MHz TO 30MHz
 18-20LOG(f/30)dB MIN FROM 30.1MHz TO 60MHz
 12dB MIN FROM 60.1MHz TO 80MHz
 CROSSTALK ATTENUATION: 35dB MIN FROM 0.5MHz TO 40MHz
 33-20LOG(f/50)dB MIN FROM 40.1MHz TO 100MHz
 COMMON MODE REJECTION RATIO (CMRR): 30dB MIN FROM 0.5MHz TO 100MHz
 - ISOLATION VOLTAGE: 2250VDC (MAX) FOR 60 SECONDS WITH A RISE TIME OF 500V/SEC.

3 THE MAGNETIC ARE SYMMETRICAL AND SUPPORT AUTO-MDIX OPERATION.

4. OPERATING TEMPERATURE: -40°C~ 85°C

5. LED IS DRIVEN WITH CONSTANT CURRENT AT APPROX 20mA.

DOMINANT WAVELENGTH(Dλ)
 GREEN 568nm TYP.at IF=20mA
 YELLOW 588nm TYP.at IF=20mA

FORWARD VOLTAGE(VF):
 GREEN 2.2V TYP.at IF=20mA
 YELLOW 2.1V TYP.at IF=20mA

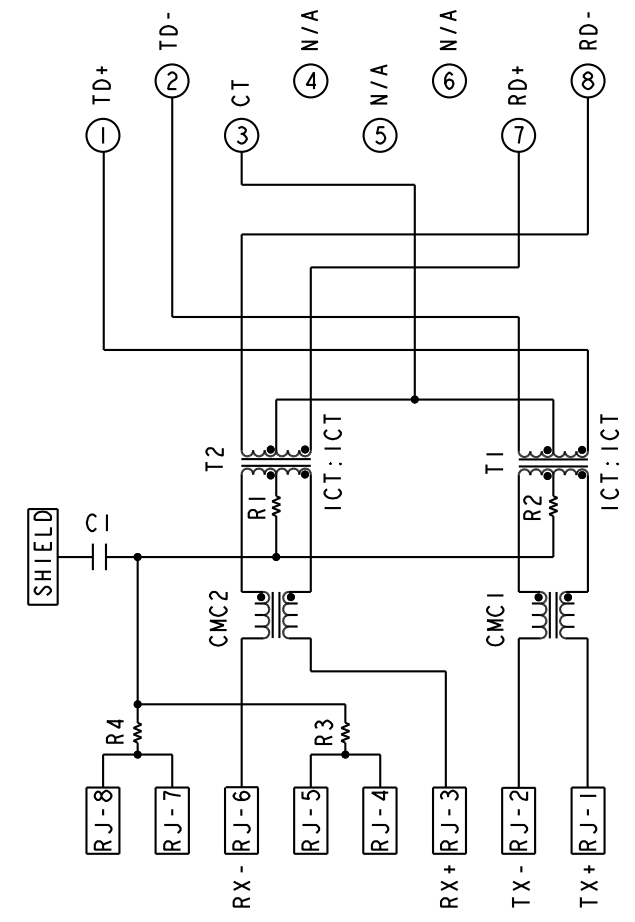
6. ALL DIMENSIONS TO BE NOMINAL UNLESS OTHERWISE NOTED

7. RJ45 CAVITY CONFORMS TO FCC RULES AND REGULATION PART 68 SUBPART F.

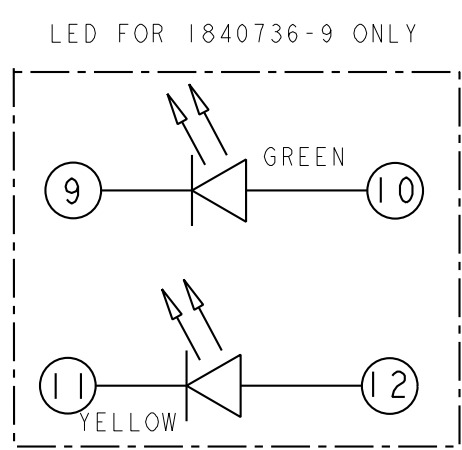
YELLOW	YELLOW	1-1840736-0
YELLOW	GREEN	1840736-9
GREEN	YELLOW	1840736-8
GREEN	GREEN	1840736-7
GRN/YEL	GRN/YEL	1840736-6
GRN/YEL	GREEN	1840736-5
LED 2	LED 1	PART NUMBER

THIS DRAWING IS A CONTROLLED DOCUMENT.		DWN LINDA DING 23AUG2007	<p>trp CONNECTOR a bel group</p> <p>DONGGUAN CHINA</p>
DIMENSIONS: mm		CHK KEITH ZHU 23AUG2007	
TOLERANCES UNLESS OTHERWISE SPECIFIED:		APVD TEDDY XIANG 23AUG2007	
0 PLC ± 1 PLC ±0.25 2 PLC ±0.25 3 PLC ±0.25 4 PLC ± ANGLES ± APPLICATION SPEC		MODEL NAME	
PRODUCT SPEC		MAGJACK SINGLE NON-POE	DESC 711ETP13, 10/100 CIRCUIT, W/ LEDS
		SIZE A2	DRAWING NO C-1840736
		CUSTOMER DRAWING	RESTRICTED TO -
		SCALE 4:1	SHEET 1 OF 2 REV F

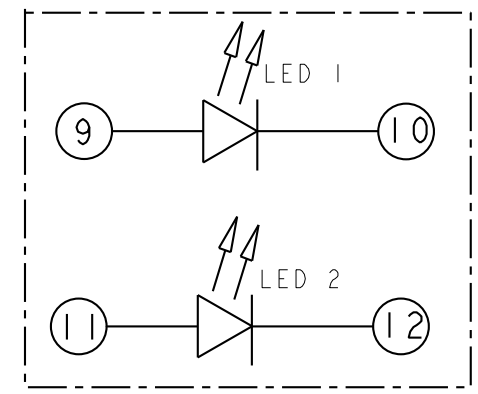
711ETP13 10/100 BASE-T CIRCUIT



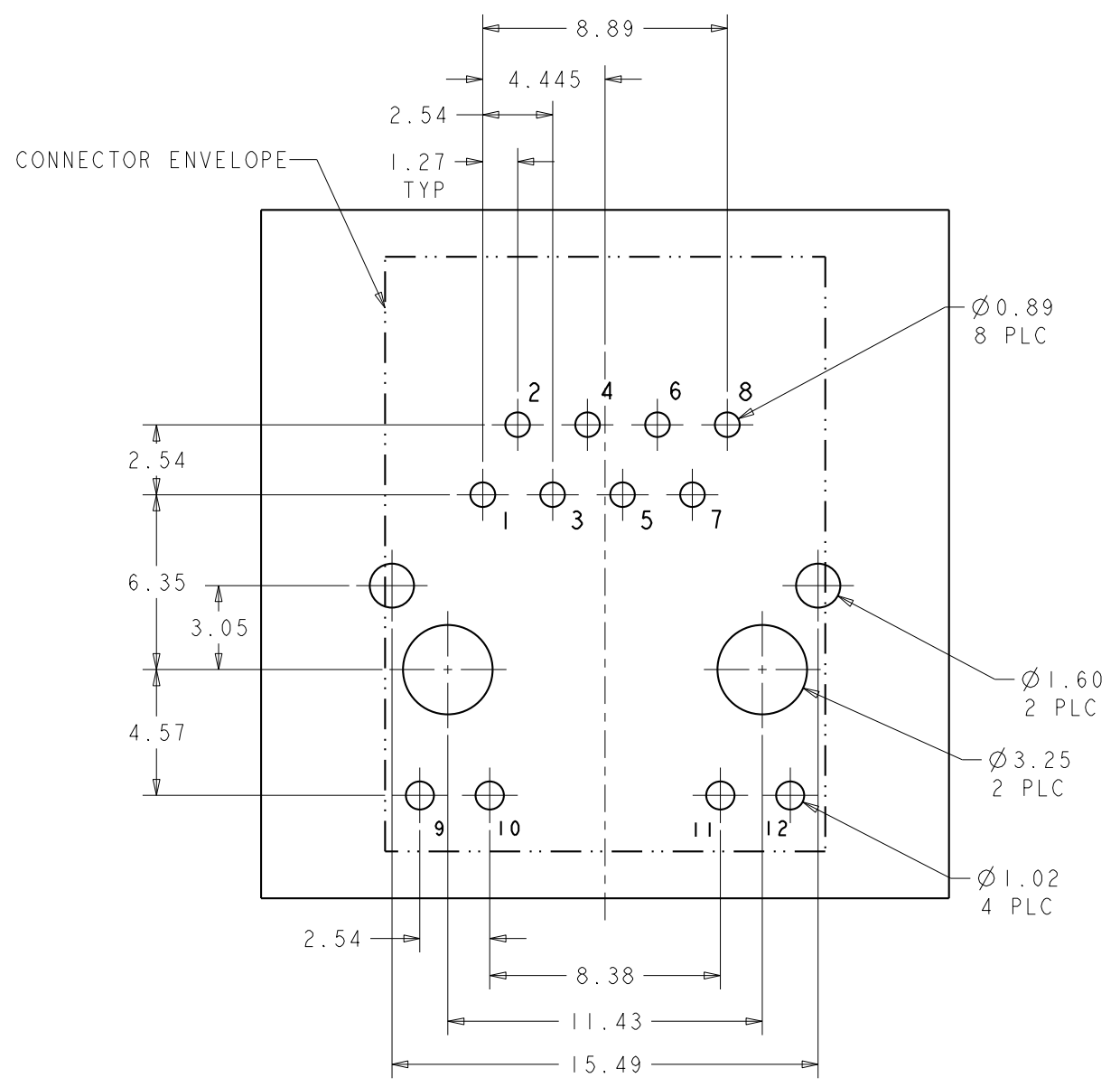
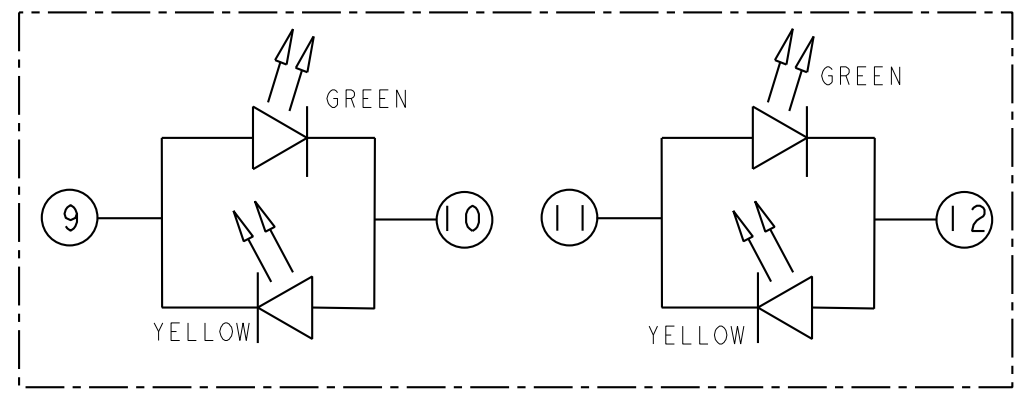
C1 = 1000pF, 2KV, CAPACITOR
 R1 - R4 = 75 ohms, RESISTOR




SINGLE COLOR LED



BI-COLOR LED



SUGGESTED PCB LAYOUT (TOL: ±0.05)
(COMPONENT SIDE VIEW)

THIS DRAWING IS A CONTROLLED DOCUMENT.		DWN: LINDA DING 23AUG2007	 trp CONNECTOR <small>a bel group</small>	DONGGUAN CHINA	
DIMENSIONS: mm		CHK: KEITH ZHU 23AUG2007		DESC: 1X1 MAGJACK 711ETP13, 10/100 CIRCUIT, W/ LEDS	RESTRICTED TO
TOLERANCES UNLESS OTHERWISE SPECIFIED:		APVD: TEDDY XIANG 23AUG2007			SIZE: A2
0 PLC ±- 1 PLC ±0.25 2 PLC ±0.25 3 PLC ±0.25 4 PLC ±- ANGLES ±- APPLICATION SPEC ±-		MODEL NAME: MAGJACK SINGLE NON-POE		SCALE: 4:1	SHEET: 2 OF 2
PRODUCT SPEC: -		CUSTOMER DRAWING		REV: F	