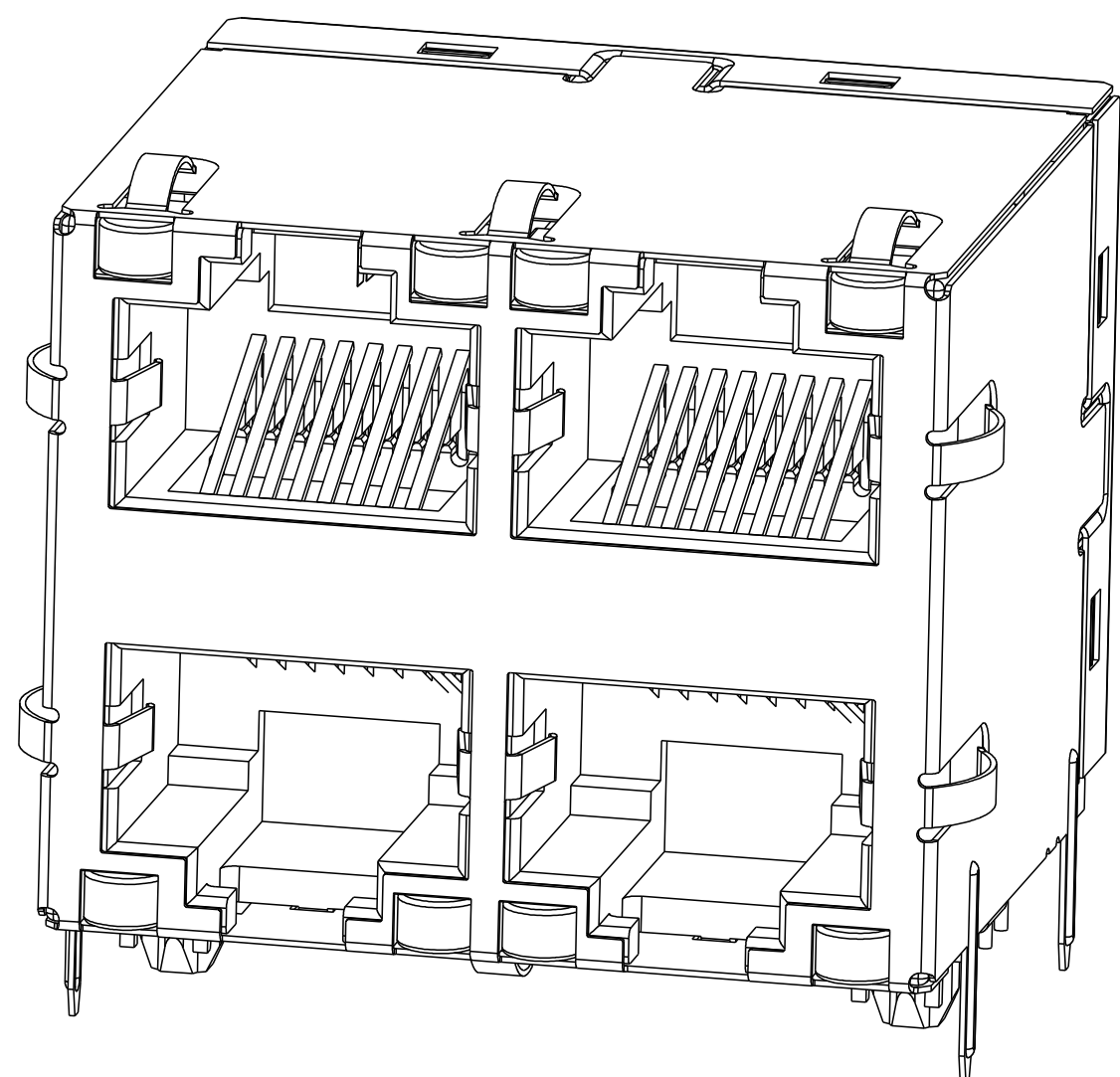


THIS DRAWING AND THE SUBJECT MATTER SHOWN THEREON ARE CONFIDENTIAL AND THE PROPERTY OF BEL/STEWART/TRP CONNECTOR AND SHALL NOT BE REPRODUCED, COPIED, OR USED IN ANY MANNER WITHOUT THE WRITTEN CONSENT OF TRP CONNECTOR.

PRODUCT MAY BE PROTECTED BY ONE OR MORE OF THE FOLLOWING US PATENTS:
 5736910 5939955 6425781 6428361 6554638 6840817 7123117
 7429195 7717749 7808751 6217391 6149050 7924130

REVISIONS					
P	LT#	DESCRIPTION	DATE	DRW	APPD
D		EC-1411035 COMPANY LOGO CHANGE	18DEC2014	GZ	TY



1. MATERIALS:
 PLASTIC HOUSING: BLACK, THERMOPLASTIC FLAMMABILITY RATING UL 94V-0
 SHIELD: BRASS, PREPLATED WITH 0.76um MIN SEMI-BRIGHT NICKEL, POST DIPPED WITH 2.54um MIN SAC SOLDER OR PURE TIN SOLDER ON SOLDER TAILS
 CONTACTS: PHOSPHOR BRONZE, 1.27um MIN OVERALL NICKEL UNDERPLATE WITH SELECTED 1.27um MIN GOLD OR WITH SELECT 0.05um MIN GOLD OVER 0.76um MIN PALLADIUM-NICKEL AT MATING INTERFACE AND 2.54um MIN MATTE TIN ON SOLDER TAILS.
 LED: DIFFUSED EPOXY LENS, CARBON STEEL LEAD FRAME TAILS OF LED ARE PREPLATED WITH 2.03um MIN SILVER OVER 1.02um MIN NICKEL UNDERPLATE OVER 1.02um MIN COPPER UNDERPLATE, POST-PLATED WITH 2.54um MIN MATTE TIN AND/OR SAC SOLDER DIP OR PURE TIN SOLDER DIP

- △ MAGNETICS
 APPLICATION: 10/100/1000 BASE-T, EXTENDED TEMPERATURE
 IMPEDANCE: 100 OHMS
 TURNS RATIO (CHIP:CABLE): 1:1 ALL FOUR PAIRS
 OPEN CIRCUIT INDUCTANCE (OCL): 350uH MIN @100kHz, 0.1VRMS, 8mADC BIAS FROM -40°C TO 85°C, ALL FOUR PAIRS
 ALL FOUR PAIRS BI-DIRECTIONAL
 PERFORMANCE @ 25°C:
 INSERTION LOSS (IL): 1.1dB MAX FROM 0.5MHz TO 100MHz
 RETURN LOSS (RL): 18dB MIN FROM 0.5MHz TO 40MHz
 12-20LOG(f/80)dB MIN FROM 40.1MHz TO 100MHz
 CROSSTALK ATTENUATION: 35dB MIN FROM 0.5MHz TO 40MHz
 33-20LOG(f/50)dB MIN FROM 40.1MHz TO 100MHz
 COMMON MODE REJECTION RATIO (CMRR): 30dB MIN FROM 0.5MHz TO 100MHz
 ISOLATION VOLTAGE: 2250VDC(MAX) FOR 60 SECONDS WITH A RISE TIME OF 500V/SEC AND WITH ALL PORTS CONNECTED.

- △ PART NUMBER, DATE CODE AND COUNTRY OF ORIGIN ARE LOCATED IN APPROXIMATE AREA SHOWN. DATE CODE: "YY" IS YEAR, "WW" IS WORK WEEK, "D" IS DAY OF WEEK, WITH SUNDAY=1

- △ TRP CONNECTOR LOGO AND AGENCY APPROVAL LOGO ARE LOCATED IN APPROXIMATE AREA SHOWN.

5. OPERATING TEMP: FROM -40°C TO +85°C.

6. RJ45 CAVITY CONFORMS TO FCC RULES AND REGULATION PART 68 SUBPART F.

- △ INDICATED MAGNETIC CONNECTIONS ARE SYMMETRICAL AND SUPPORT AUTO-MD1/MDIX.

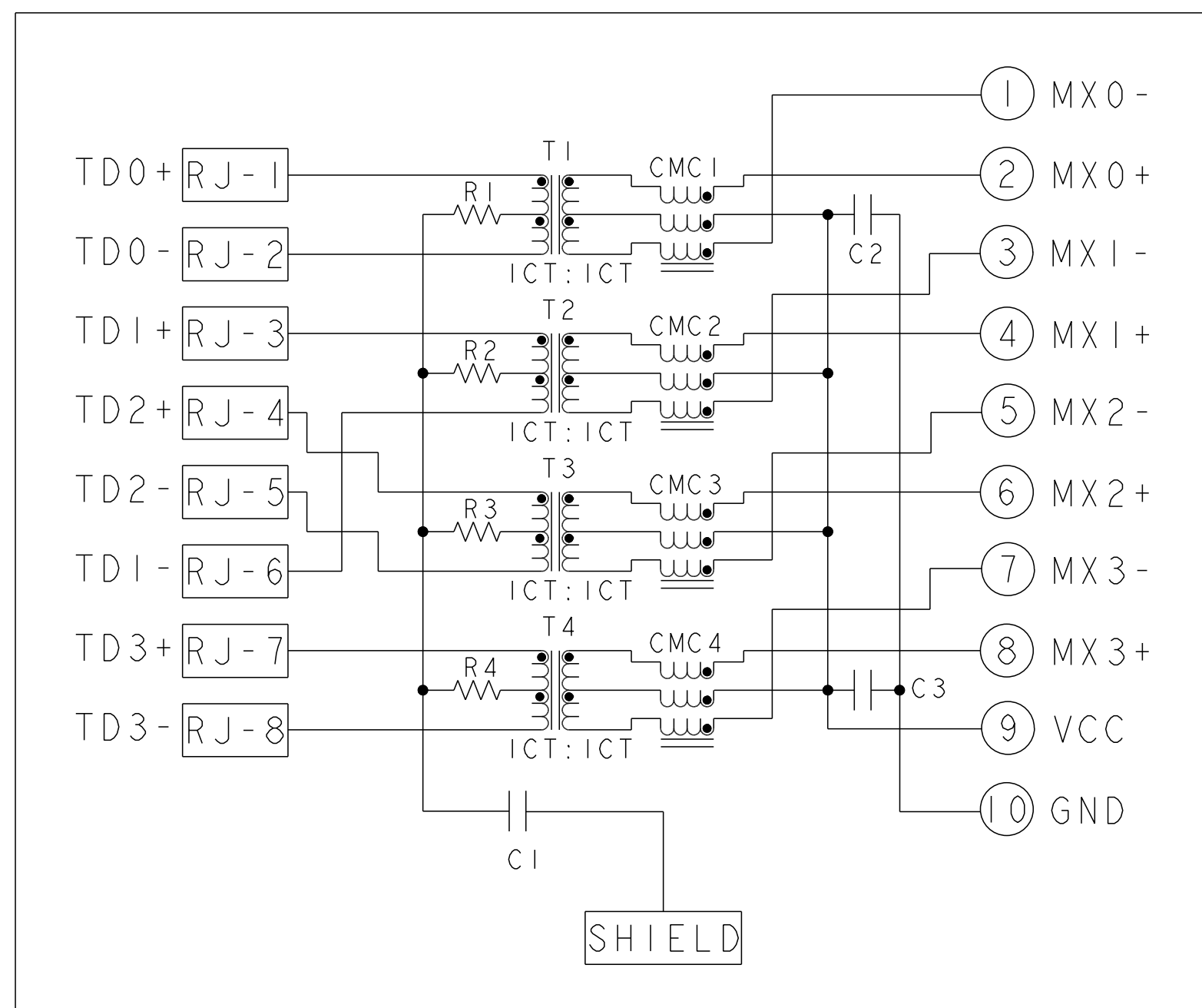
- △ DATUM AND BASIC DIMENSION ESTABLISHED BY CUSTOMER.

- △ BASIC DIMENSION ESTABLISHED BY CUSTOMER, BUT MAY NOT BE GREATER THAN 5.08mm.

- △ LEDS ARE DRIVEN WITH CONSTANT CURRENT AT APPROX 20mA
 LED COLOR: DOMINANT WAVELENGTH (λD): GREEN 568 nm TYP. @ IF=20mA
 FORWARD VOLTAGE (VF): GREEN 2.2V TYP. @ IF=20mA
 DOMINANT WAVELENGTH (λD): YELLOW 588 nm TYP. @ IF=20mA
 FORWARD VOLTAGE (VF): YELLOW 2.1V TYP. @ IF=20mA

11. THE PARTS ARE RECOMMENDED FOR WAVE SOLDERING PROCESS, PEAK TEMPERATURE 260°C MAX, 10 SECONDS MAX.

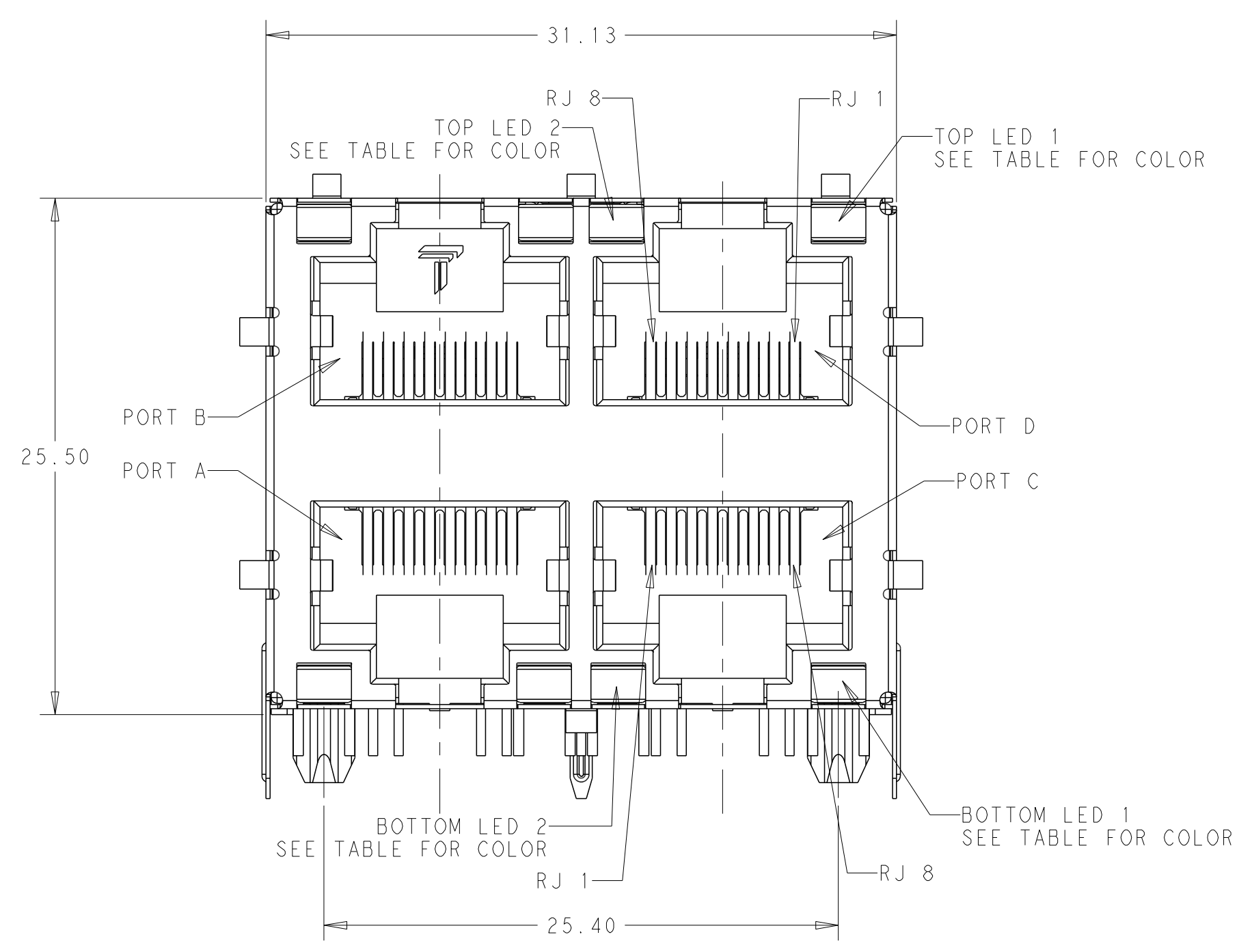
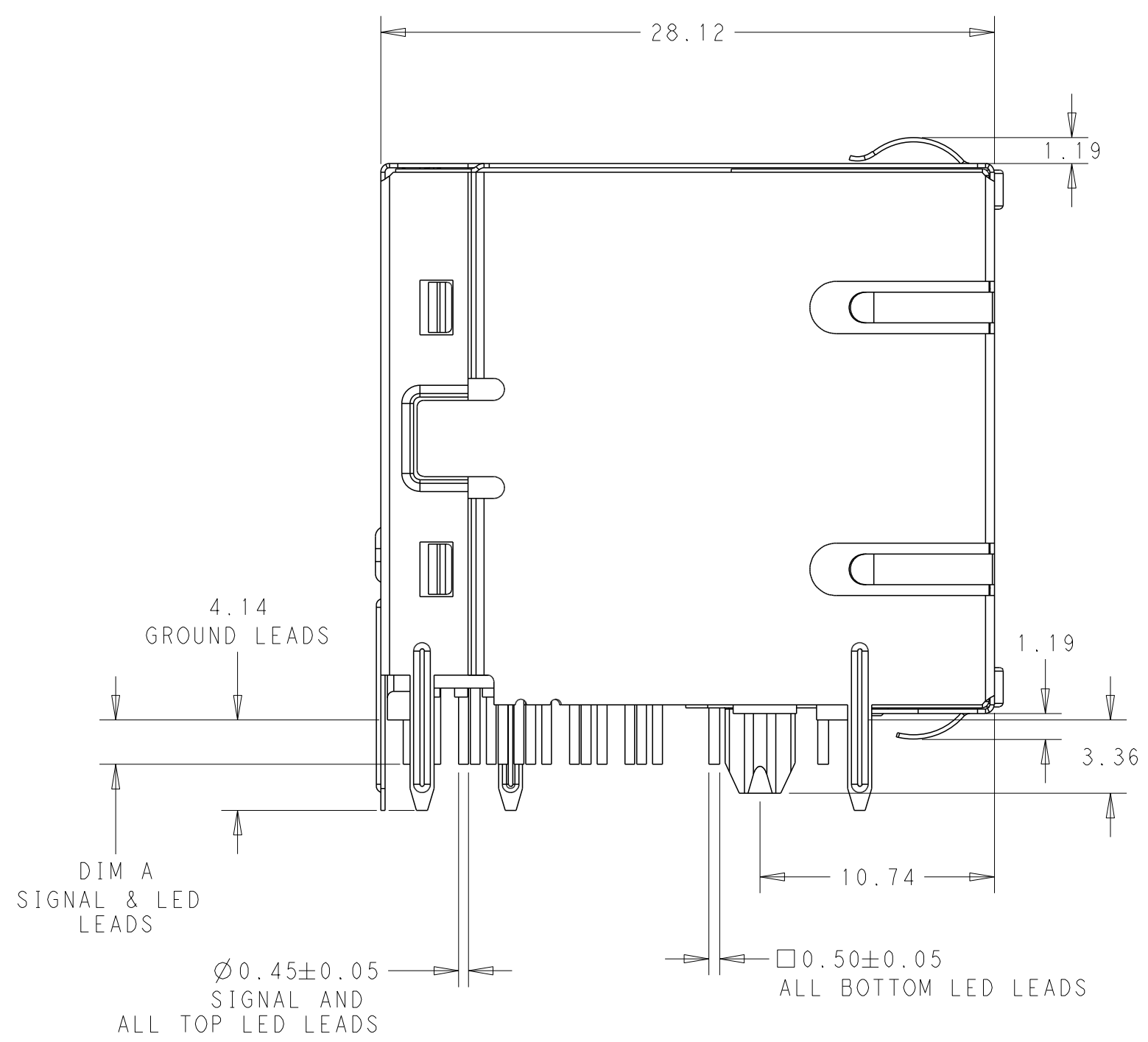
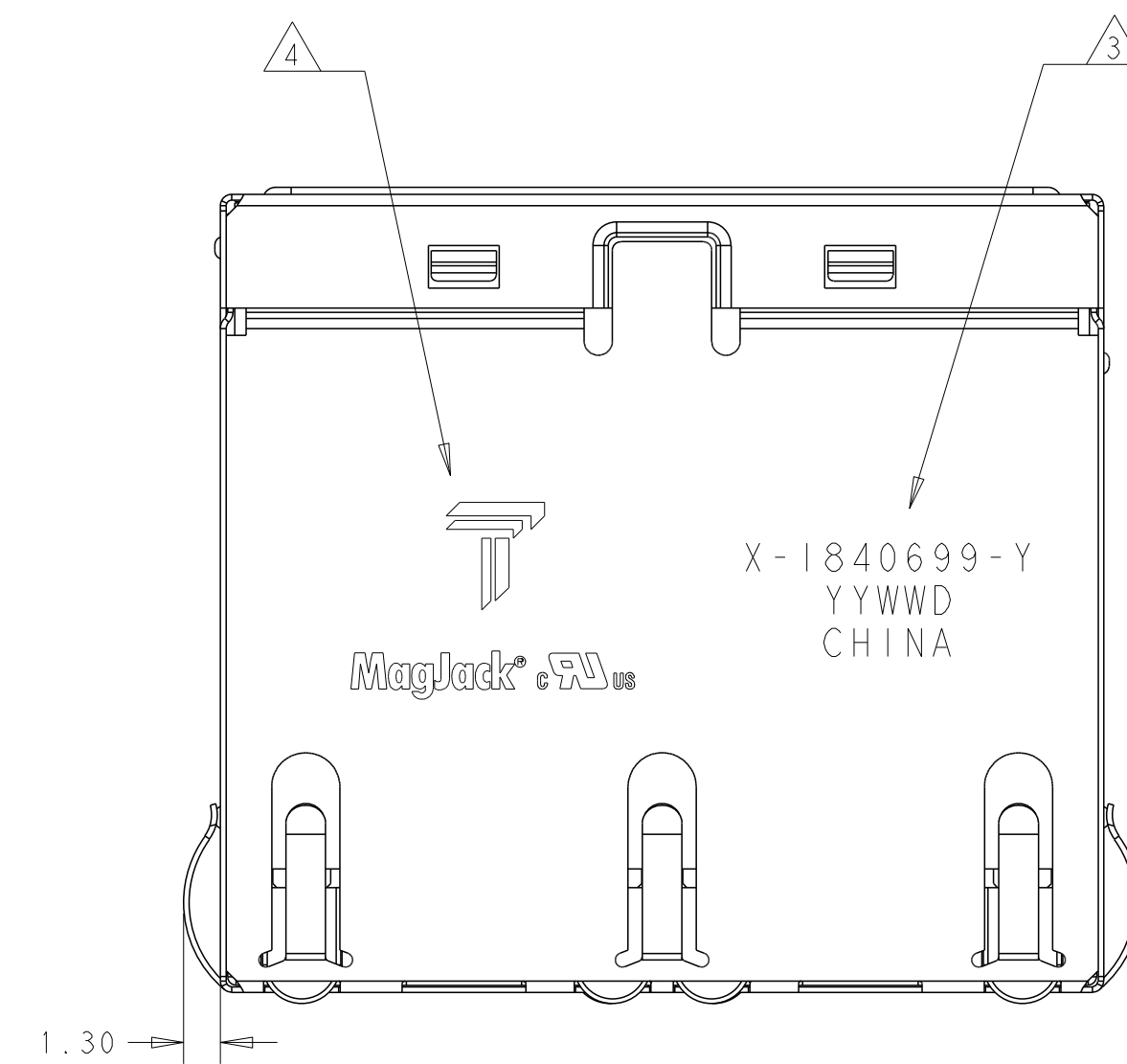
S8G56GET GIGABIT CIRCUIT △△
 TOP AND BOTTOM PORTS



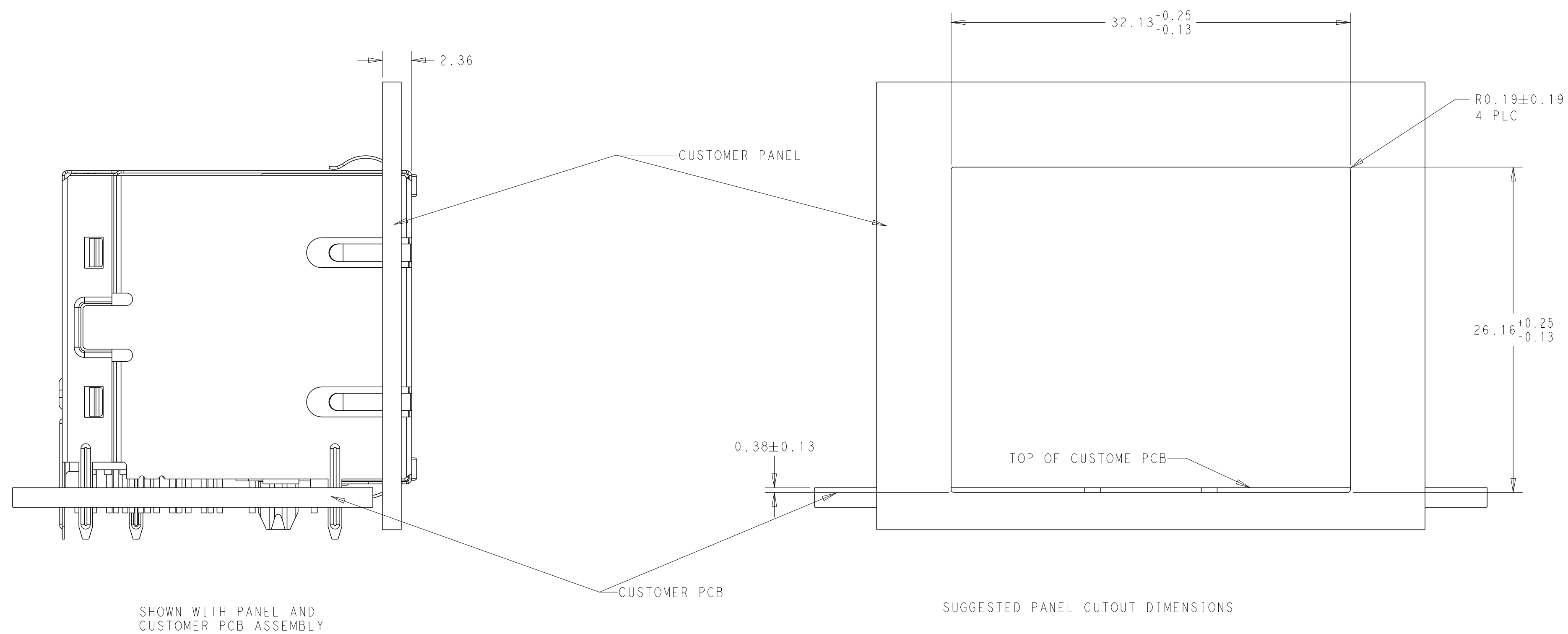
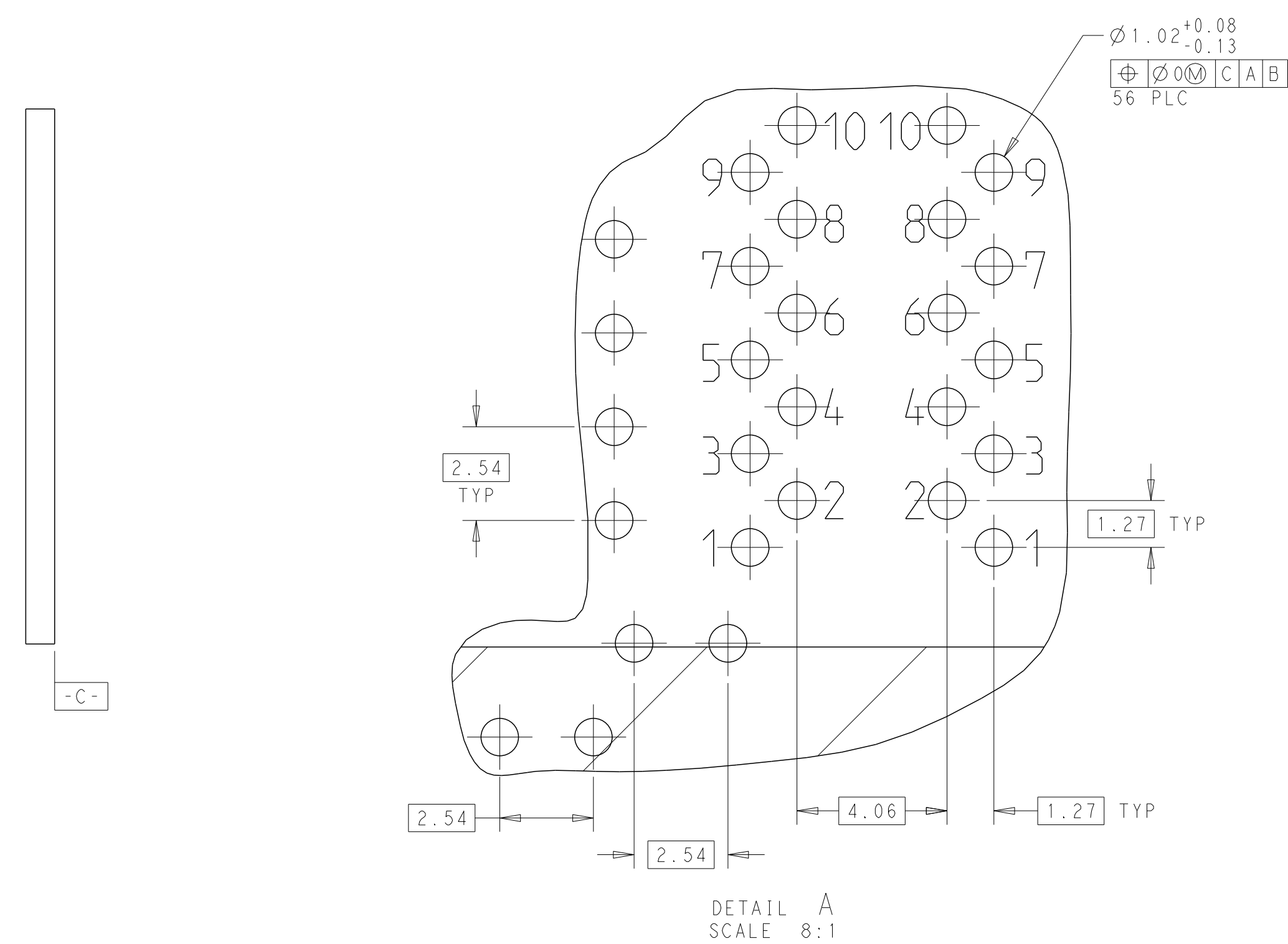
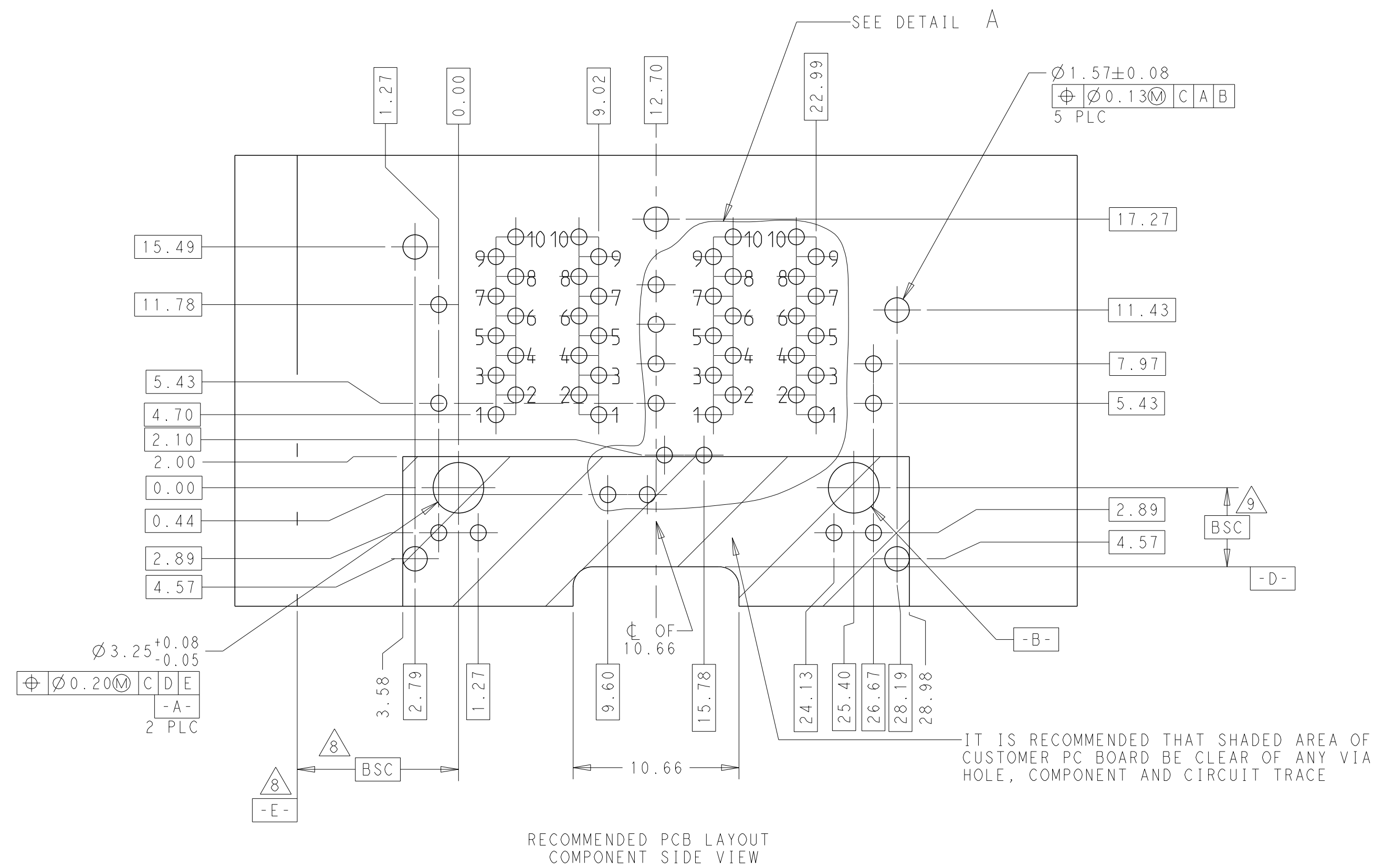
C1 = 1000pF, 2kV CAPACITOR
 C2 - C3 = 10nF, 50V CCAPACITORS
 R1-R4 = 75 Ohms, 1/16 W, RESISTORS

3.04	GREEN	GREEN	GREEN	GREEN	1-1840699-1
2.03	GRN/YEL	GRN/YEL	GRN/YEL	GRN/YEL	1840699-4
DIM A	BOTTOM LED 2	BOTTOM LED 1	TOP LED 2	TOP LED 1	PART NUMBER

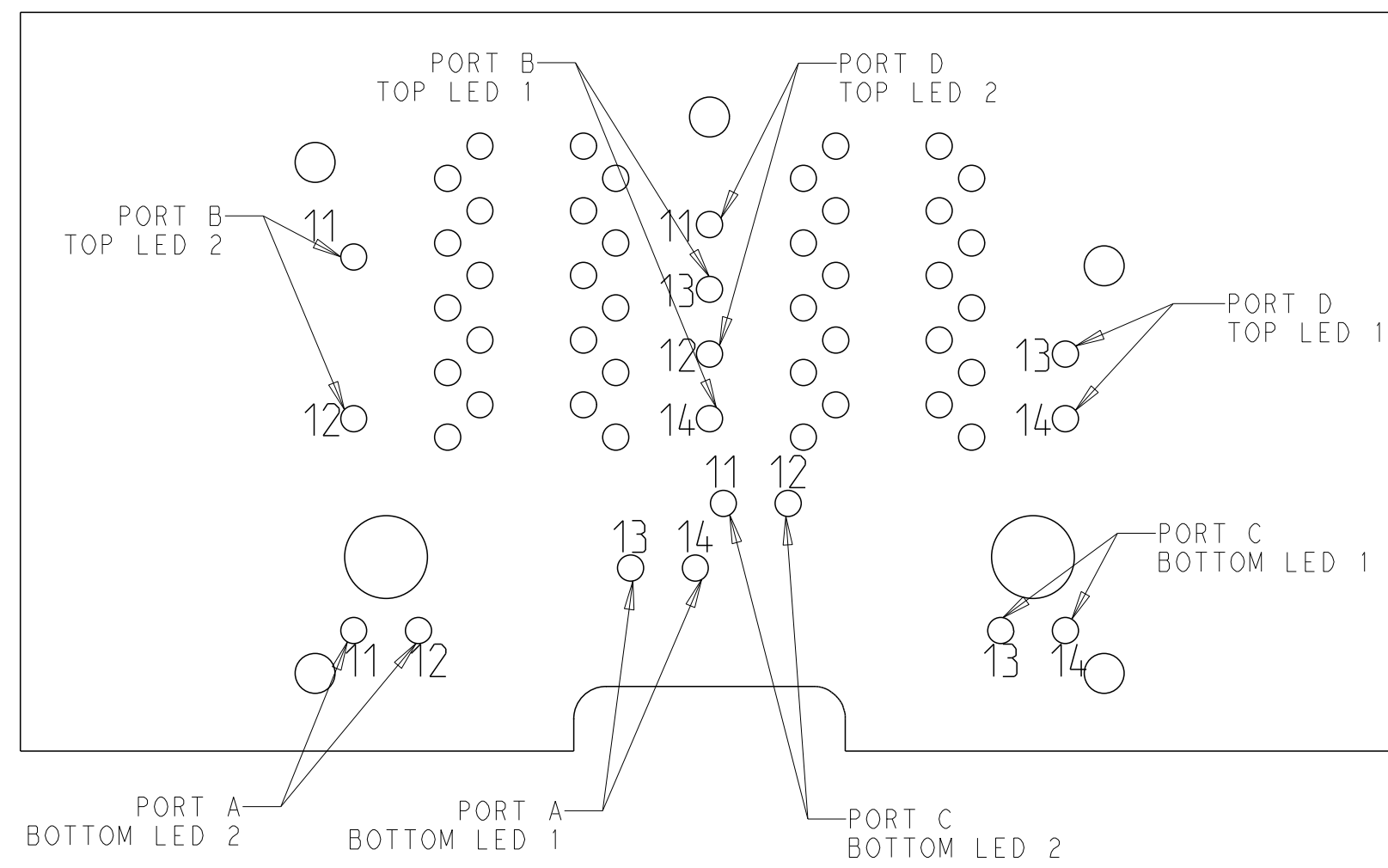
THIS DRAWING IS A CONTROLLED DOCUMENT.		DWG: TOMMY REN/EVAN MA 02APR2012		trp CONNECTOR a bel group DONGGUAN CHINA	
DIMENSIONS: mm		CHK: TONY YUAN 02APR2012			
TOLERANCES UNLESS OTHERWISE SPECIFIED:		APPR: KEITH ZHU 02APR2012		MODEL NAME	
0 PLC ±0.25		MAGJACK		DESC: 2X2 S8G56GET GIGABIT W/ LED	
1 PLC ±0.25		STACK Non-PoE		SIZE: A1	
2 PLC ±0.25		CUSTOMER DRAWING		CAGE CODE: 1840699	
3 PLC ±		SCALE: 4:1		DRAWING NO: 1840699	
4 PLC ±		SHEET 1 OF 4		REV D	
ANGLES ±					
APPLICATION SPEC					
PRODUCT SPEC 108-104004					



THIS DRAWING IS A CONTROLLED DOCUMENT.		DWN: TOMMY REN/EVAN MA 02APR2012 CHK: TONY YUAN 02APR2012 APVD: KEITH ZHU 02APR2012	TRP CONNECTOR a bel group DONGGUAN CHINA
DIMENSIONS: mm	TOLERANCES UNLESS OTHERWISE SPECIFIED: 0 PLC ± 0.25 1 PLC ± 0.25 2 PLC ± 0.25 3 PLC ± 0.25 4 PLC \pm ANGLES \pm	MODEL NAME MAGJACK STACK Non-PoE	
PRODUCT SPEC 108-104004	APPLICATION SPEC -	SIZE A1	CAGE CODE C=1840699
CUSTOMER DRAWING		SCALE 4:1	SHEET 2 OF 4 REV D

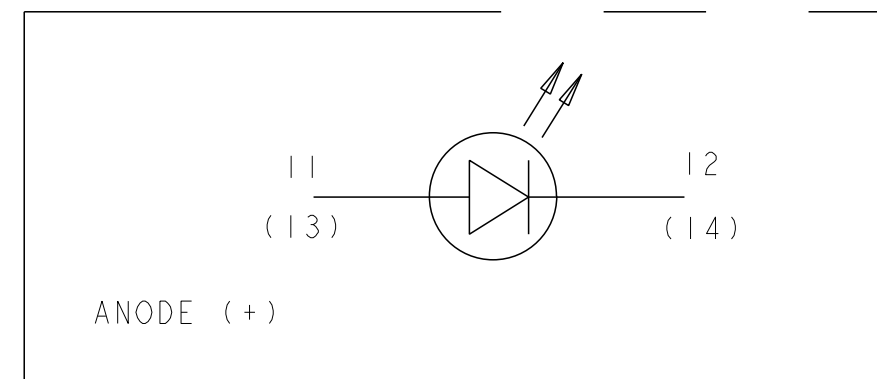


THIS DRAWING IS A CONTROLLED DOCUMENT.		DWG: TOMMY REN/EVAN MA 02APR2012			DONGGUAN CHINA
DIMENSIONS: mm		CHK: TONY YUAN 02APR2012			
TOLERANCES UNLESS OTHERWISE SPECIFIED:		APPRO: KEITH ZHU 02APR2012		DESC: 2X2 S8G56GET GIGABIT W/ LED	
		0 PLC ±0.25 1 PLC ±0.25 2 PLC ±0.25 3 PLC ±0.25 4 PLC ±0.25 ANGLES ±		MODEL NAME: MAGJACK	
PRODUCT SPEC: 108-104004		APPLICATION SPEC: -		SIZE: A1	
		CUSTOMER DRAWING		CAGE CODE: 1840699	
		SCALE: 4:1		SHEET 3 OF 4	
		REV: D			

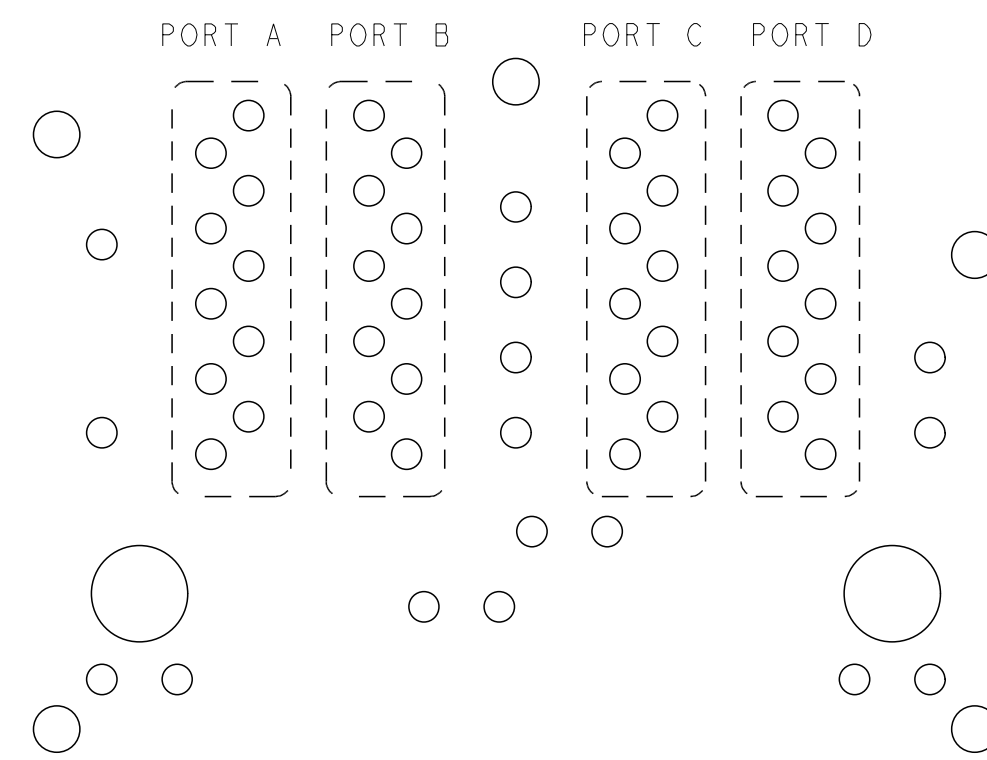
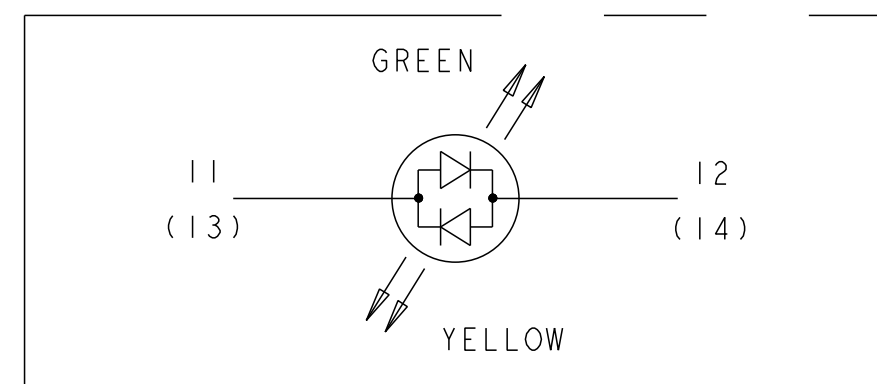


LED HOLE DESIGNATIONS
VIEWED FROM COMPONENT SIDE


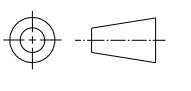
SINGLE COLOR LED



BI-COLOR LED



PORT ASSIGNMENT
COMPONENT SIDE VIEW

THIS DRAWING IS A CONTROLLED DOCUMENT.		DW: TOMMY REN/EVAN MA 02APR2012		 trp CONNECTOR <small>a bel group</small>		DONGGUAN CHINA	
DIMENSIONS: mm		TOLERANCES UNLESS OTHERWISE SPECIFIED:				DESC: 2X2 S8G56GET GIGABIT W/ LED	
		0 PLC ±0.25 1 PLC ±0.25 2 PLC ±0.25 3 PLC ± 4 PLC ± ANGLES ± APPLICATION SPEC ±		MODEL NAME: MAGJACK STACK Non-PoE		SIZE: A1 CAGE CODE: C=1840699	
PRODUCT SPEC: 108-104004		APPLICATION SPEC: -		CUSTOMER DRAWING		SCALE: 4:1 SHEET 4 OF 4 REV D	