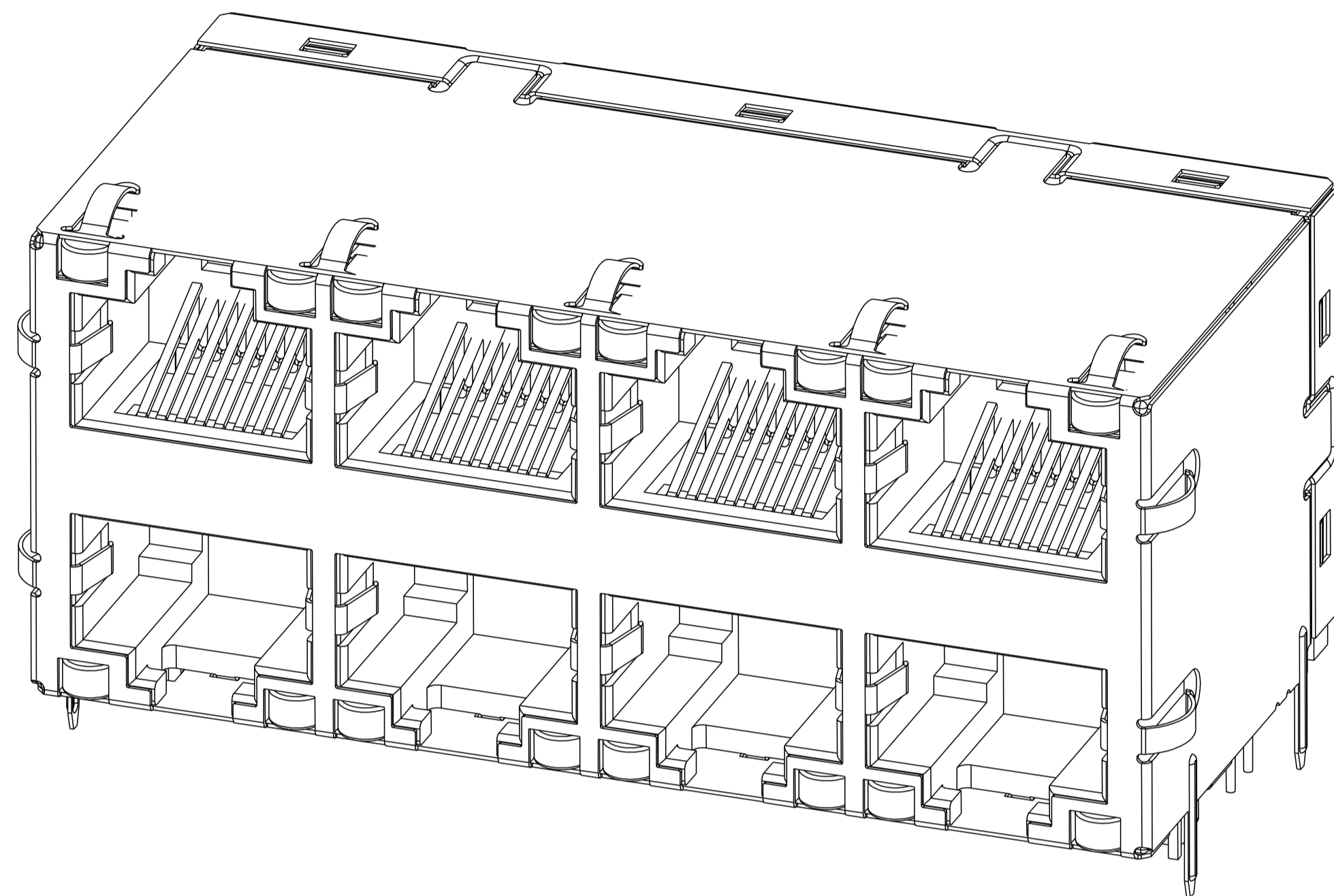


THIS DRAWING AND THE SUBJECT MATTER SHOWN THEREON ARE CONFIDENTIAL AND THE PROPERTY OF BEL/STEWART/TRP CONNECTOR AND SHALL NOT BE REPRODUCED, COPIED, OR USED IN ANY MANNER WITHOUT THE WRITTEN CONSENT OF TRP CONNECTOR.

PRODUCT MAY BE PROTECTED BY ONE OR MORE OF THE FOLLOWING US PATENTS:
 5736910 5939955 6425781 6428361 6554638 6840817 7123117
 7429195 7717749 7808751 6217391 6149050 7924130

REVISIONS					
P	LTN	DESCRIPTION	DATE	DRN	APVD
E		EC-1411035 COMPANY LOGO CHANGE	28DEC2014	GZ	KZ



- 1. MATERIALS:
 PLASTIC HOUSING: BLACK, THERMOPLASTIC FLAMMABILITY RATING UL 94V-0
 SHIELD: BRASS, PREPLATED WITH 0.76um MIN SEMI-BRIGHT NICKEL,
 POST DIPPED WITH 2.54um MIN SAC SOLDER ON SOLDER TAILS,
 CONTACTS: PHOSPHOR BRONZE, 1.27um MIN OVERALL NICKEL
 UNDERPLATE WITH SELECTED 1.27um MIN GOLD AT MATING INTERFACE
 AND 2.54um MIN MATTE TIN ON SOLDER TAILS.
 LED: DIFFUSED EPOXY LENS, CARBON STEEL LEAD FRAME TAILS OF LED
 ARE PREPLATED WITH 2.03um MIN SILVER OVER 1.02um MIN NICKEL
 UNDERPLATE OVER 1.02um MIN COPPER UNDERPLATE. POST-PLATED WITH
 2.54um MIN MATTE TIN AND/OR SAC SOLDER DIP OR PURE TIN SOLDER DIP

- MAGNETICS
 APPLICATION: 10/100/1000 BASE-T
 IMPEDANCE: 100 OHMS
 TURNS RATIO (CHIP:CABLE): 1:1 ALL FOUR PAIRS
 OPEN CIRCUIT INDUCTANCE (OCL): 350uH MIN @100kHz, 0.1VRMS,
 8mADC BIAS FROM 0°C TO 70°C, ALL FOUR PAIRS
 ALL FOUR PAIRS BI-DIRECTIONAL
 PERFORMANCE @ 25°C:
 INSERTION LOSS (IL): 1.1dB MAX FROM 0.5MHz TO 100MHz
 RETURN LOSS (RL): 18dB MIN FROM 0.5MHz TO 40MHz
 12-20LOG(f/80)dB MIN FROM 40.1MHz TO 100MHz
 CROSSTALK ATTENUATION: 35dB MIN FROM 0.5MHz TO 40MHz
 33-20LOG(f/50)dB MIN FROM 40.1MHz TO 100MHz
 COMMON MODE REJECTION RATIO (CMRR): 30dB MIN FROM 0.5MHz TO 100MHz
 ISOLATION VOLTAGE: 2250VDC(MAX) FOR 60 SECONDS WITH A RISE TIME OF
 500V/SEC AND WITH ALL PORTS CONNECTED.

- PART NUMBER, DATE CODE AND COUNTRY OF ORIGIN ARE LOCATED IN APPROXIMATE AREA SHOWN. DATE CODE: "YY" IS YEAR, "WW" IS WORK WEEK, "D" IS DAY OF WEEK, WITH SUNDAY=1

- TRP CONNECTOR LOGO AND AGENCY APPROVAL LOGO ARE LOCATED IN APPROXIMATE AREA SHOWN.

- OPERATING TEMP: FROM 0°C TO +70°C.
- RJ45 CAVITY CONFORMS TO FCC RULES AND REGULATION PART 68 SUBPART F.

- INDICATED MAGNETIC CONNECTIONS ARE SYMMETRICAL AND SUPPORT AUTO-MDI/MDIX.

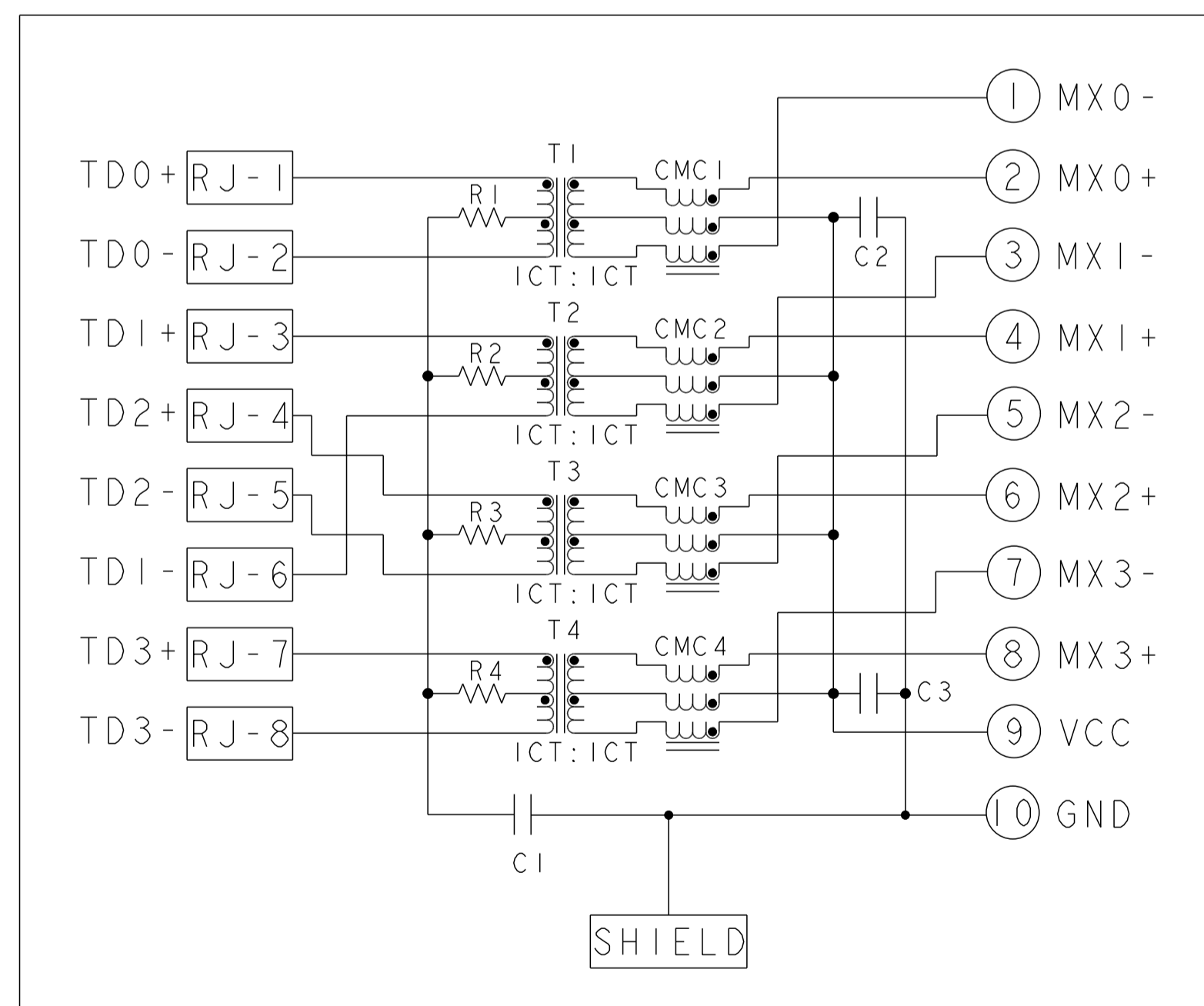
- DATUM AND BASIC DIMENSION ESTABLISHED BY CUSTOMER.

- BASIC DIMENSION ESTABLISHED BY CUSTOMER, BUT MAY NOT BE GREATER THAN 5.08mm.

- LEDS ARE DRIVEN WITH CONSTANT CURRENT AT APPROX 20mA
 LED COLOR: DOMINANT WAVELENGTH (λD): GREEN 568 nm TYP. @ IF=20mA
 FORWARD VOLTAGE (VF): GREEN 2.2V TYP. @ IF=20mA
 DOMINANT WAVELENGTH (λD): ORANGE 605 nm TYP. @ IF=20mA
 FORWARD VOLTAGE (VF): ORANGE 2.1V TYP. @ IF=20mA

- THE PARTS ARE RECOMMENDED FOR WAVE SOLDERING PROCESS, PEAK TEMPERATURE 260°C MAX, 10 SECONDS MAX.

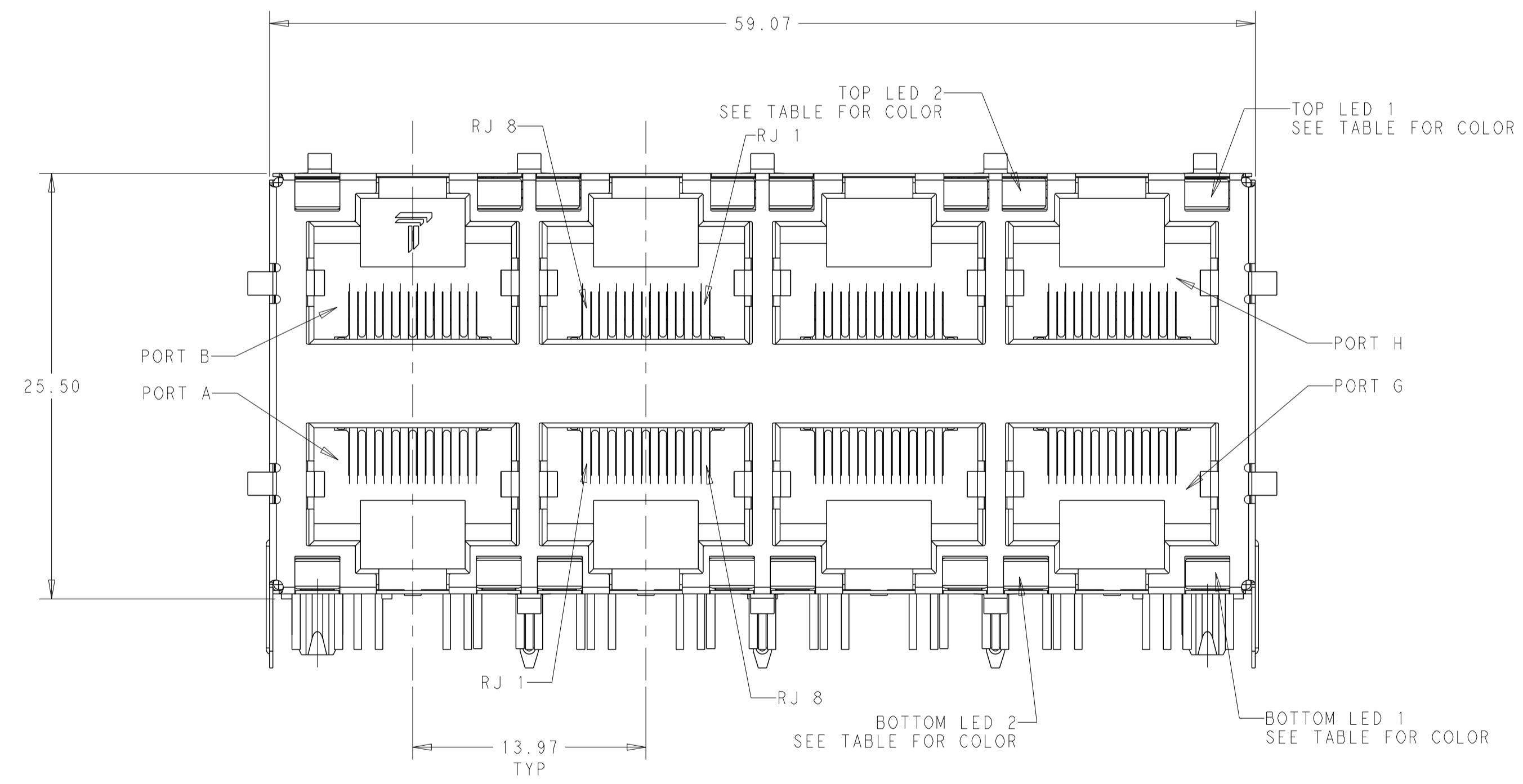
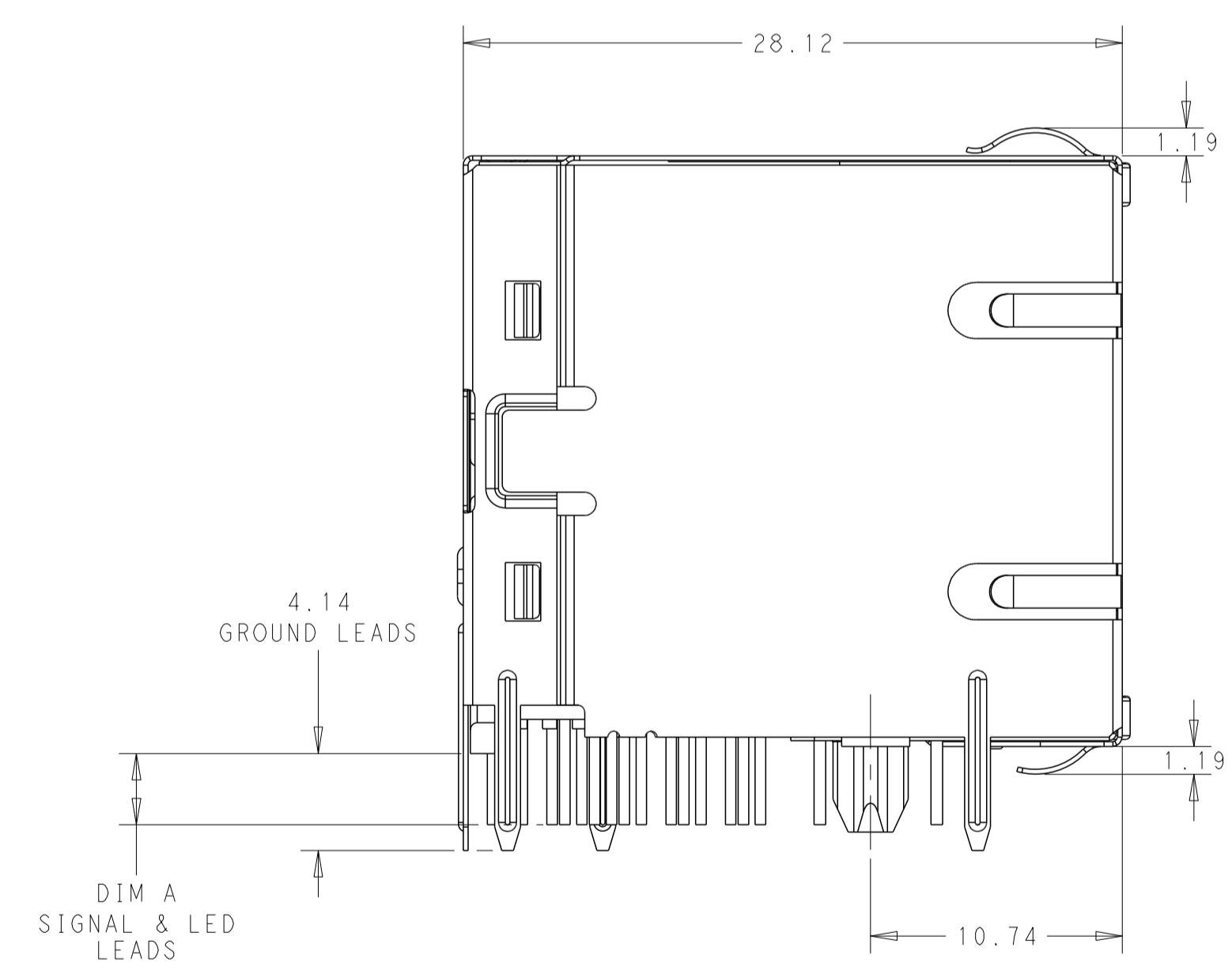
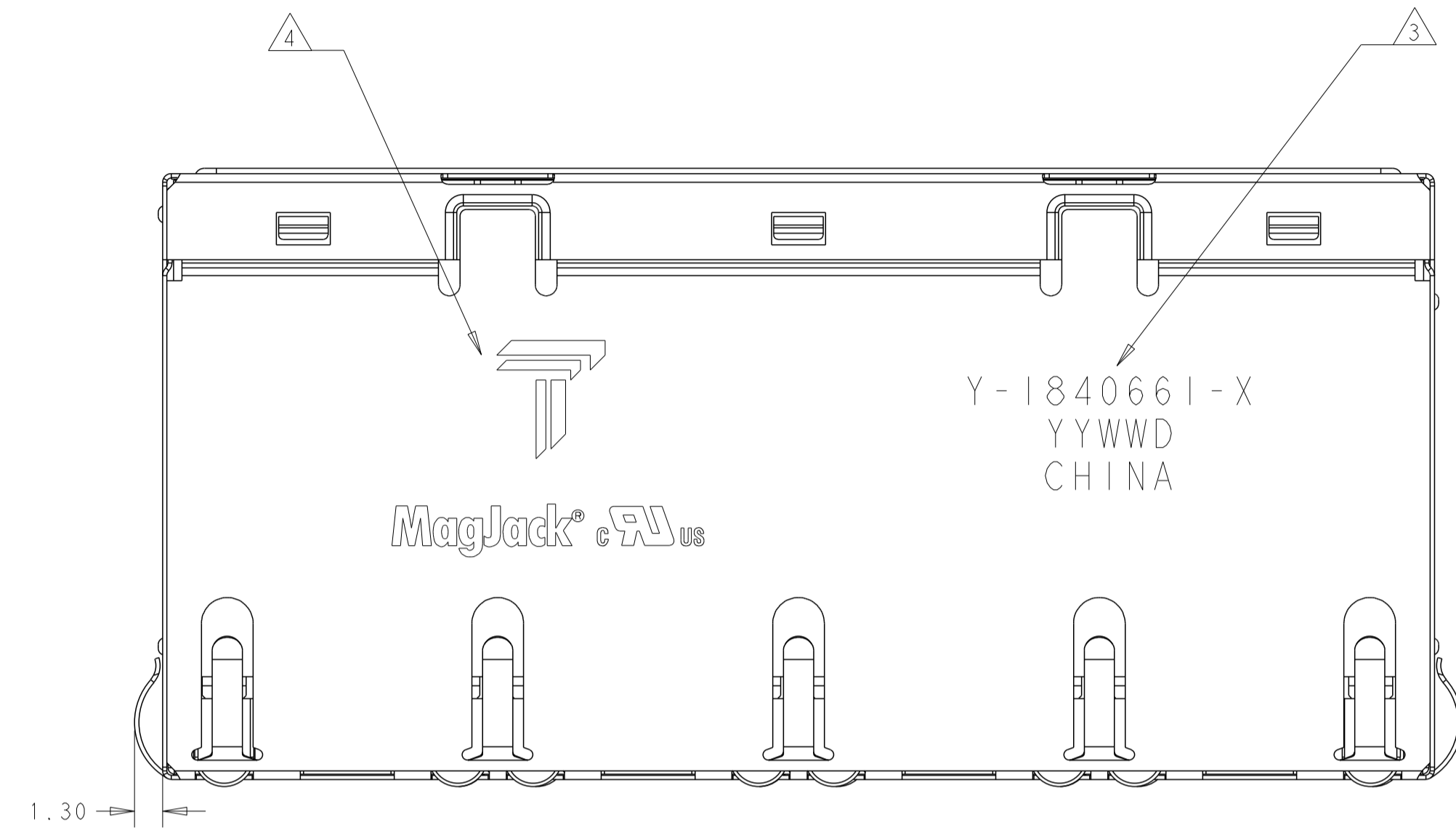
TOP AND BOTTOM PORTS



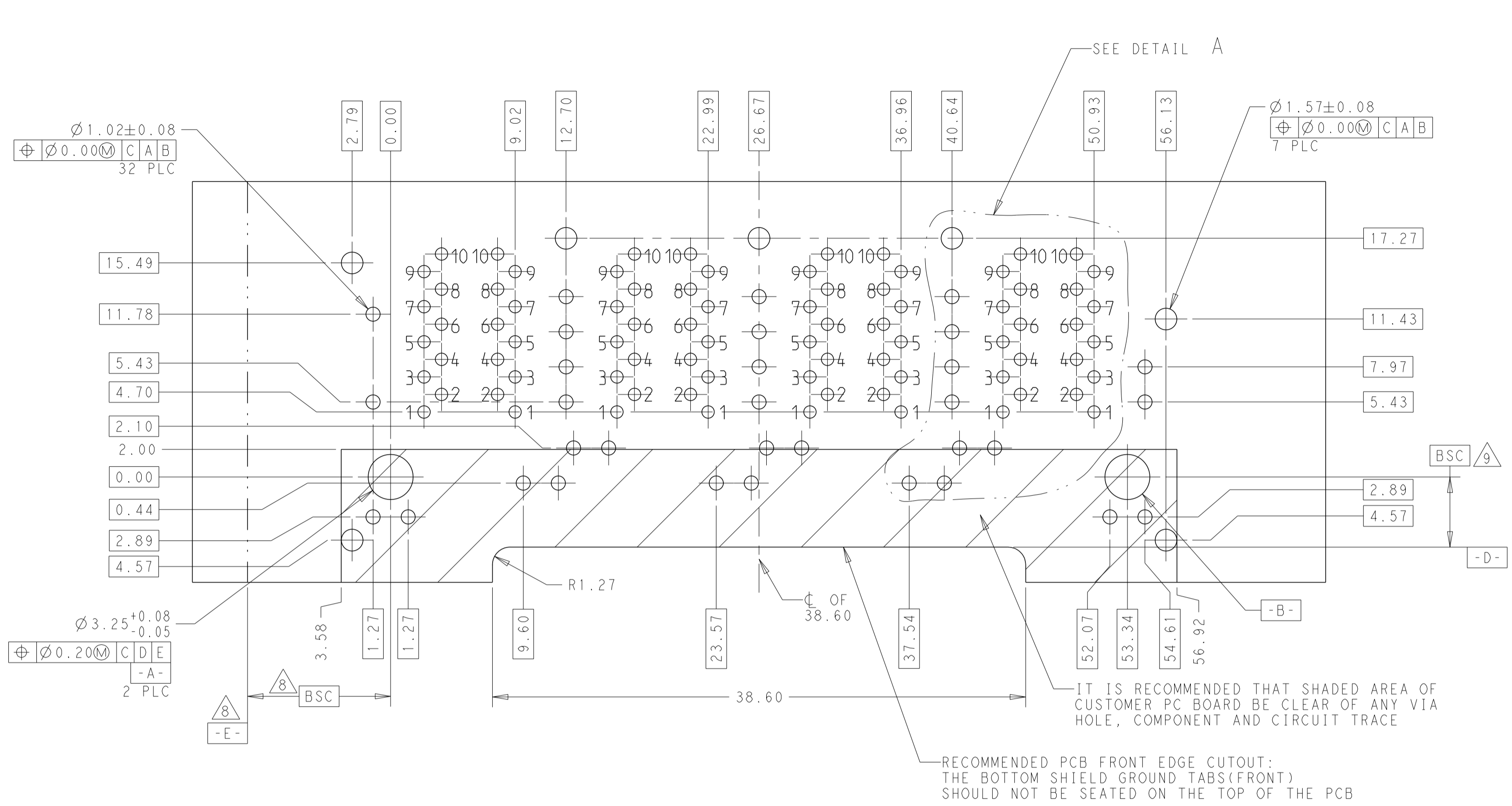
C1 = 1000pF, 2kV CAPACITOR
 C2 - C3 = 10nF, 50V CCAPACITORS
 R1-R4 = 75 Ohms, 1/16 W, RESISTORS

2.10	GREEN	GREEN	GREEN	GREEN	2-1840661-1
3.56	GRN/ORA	GRN/ORA	GRN/ORA	GRN/ORA	1-1840661-7
2.50	GREEN	GREEN	GREEN	GREEN	1840661-1
DIM A	BOTTOM LED 2	BOTTOM LED 1	TOP LED 2	TOP LED 1	PART NUMBER

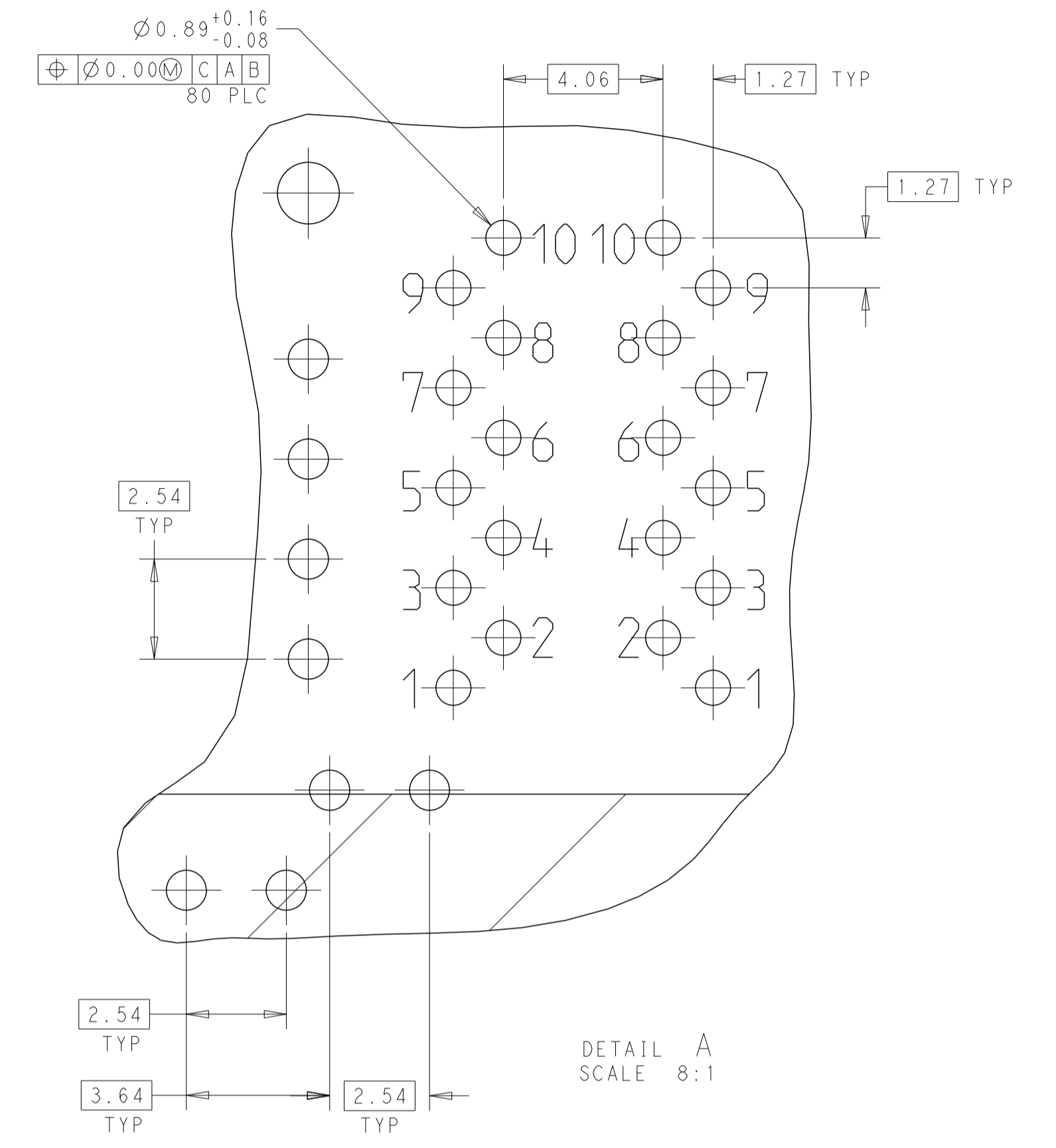
THIS DRAWING IS A CONTROLLED DOCUMENT.		DRN JAMILSON CHEN/24NOV2010		DONGGUAN CHINA	
DIMENSIONS: mm		CHK TONY YUAN			
TOLERANCES UNLESS OTHERWISE SPECIFIED:		APVD KEITH ZHU			
0 PLC	±0.25	MODEL NAME	MAGJACK	DESC	2X4 GIGABIT W/ LED
1 PLC	±0.25	SIZE	A1	CAGE CODE	1840661
2 PLC	±0.25	PRODUCT SPEC	108-104004	DRAWING NO	1840661
3 PLC	±	APPLICATION SPEC	-	SCALE	4:1
4 PLC	±			SHEET	1 OF 4
ANGLES	±			REV	E



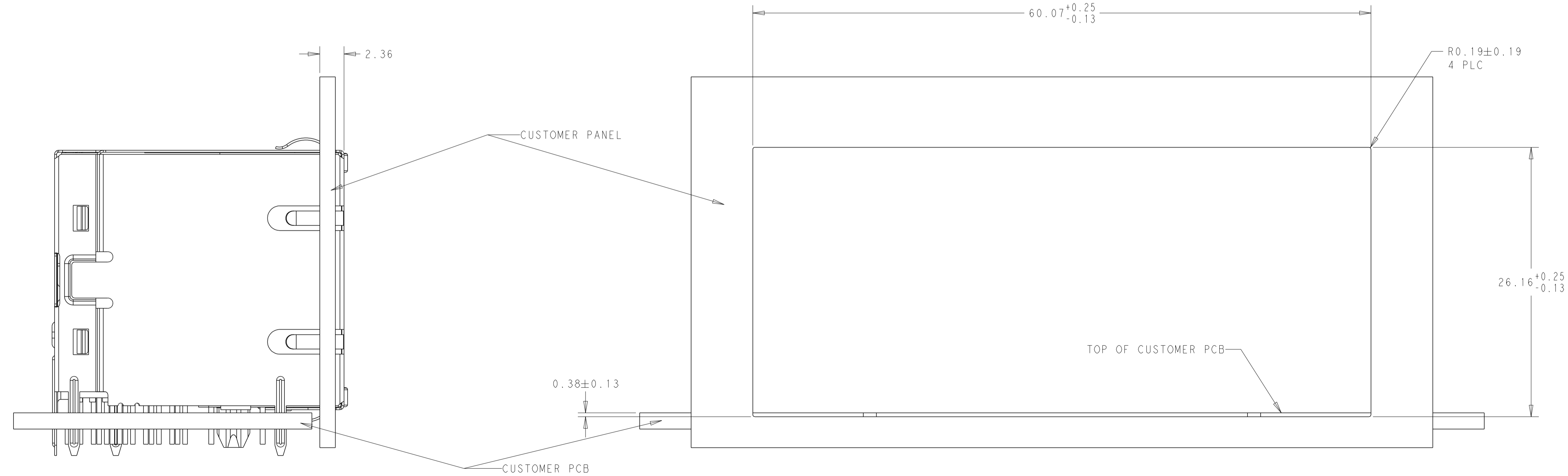
THIS DRAWING IS A CONTROLLED DOCUMENT.		DWN: JAMISON CHEN/24NOV2010 CHK: TONY YUAN/24NOV2010 APD: KEITH ZHU/24NOV2010	DONGGUAN CHINA
DIMENSIONS: mm	TOLERANCES UNLESS OTHERWISE SPECIFIED: 0 PLC ±0.25 1 PLC ±0.25 2 PLC ±0.25 3 PLC ±0.25 4 PLC ±0.25 ANGLES ±°	MODEL NAME: MAGJACK STACK PoE+	
PRODUCT SPEC: 108-104004	APPLICATION SPEC: -	SIZE: A1 CAGE CODE: - DRAWING NO: 1840661	RESTRICTED TO: - SCALE: 4:1 SHEET: 2 OF 4 REV: E



RECOMMENDED PCB LAYOUT (TOL: ±0.08)
COMPONENT SIDE VIEW



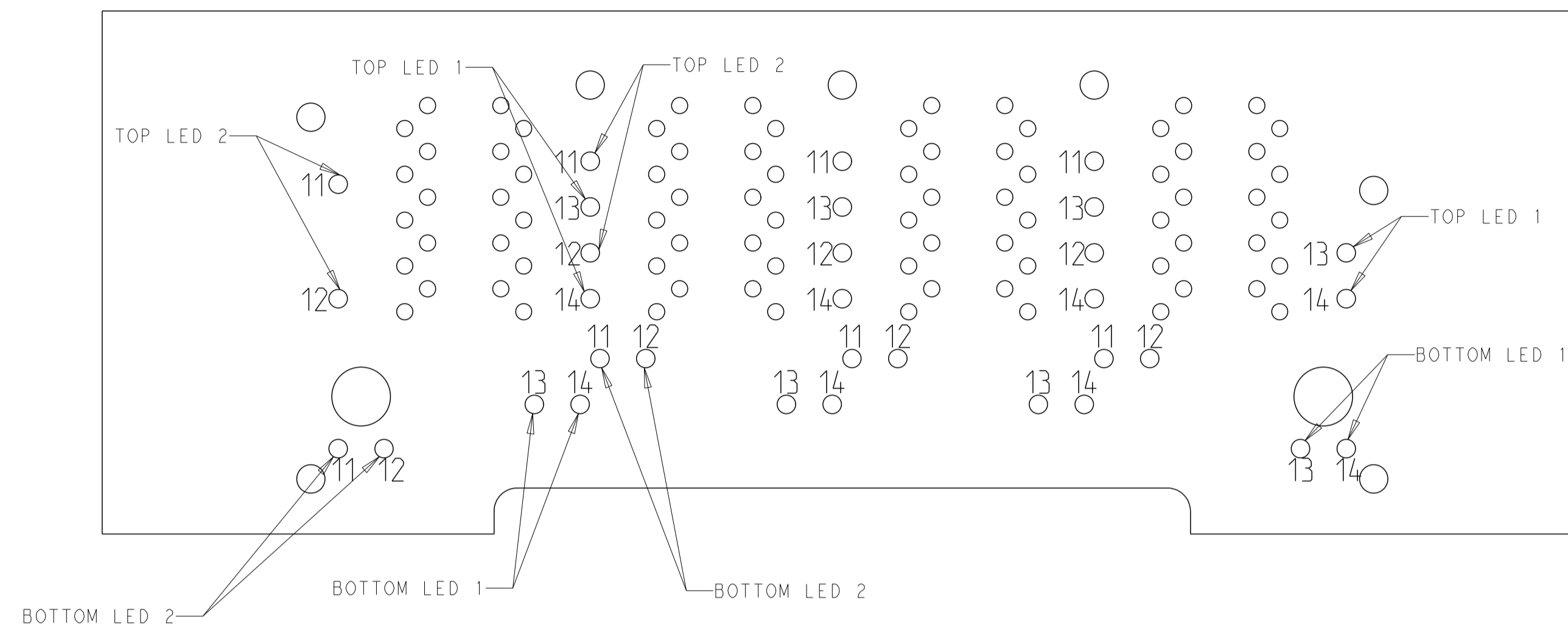
DETAIL A
SCALE 8:1



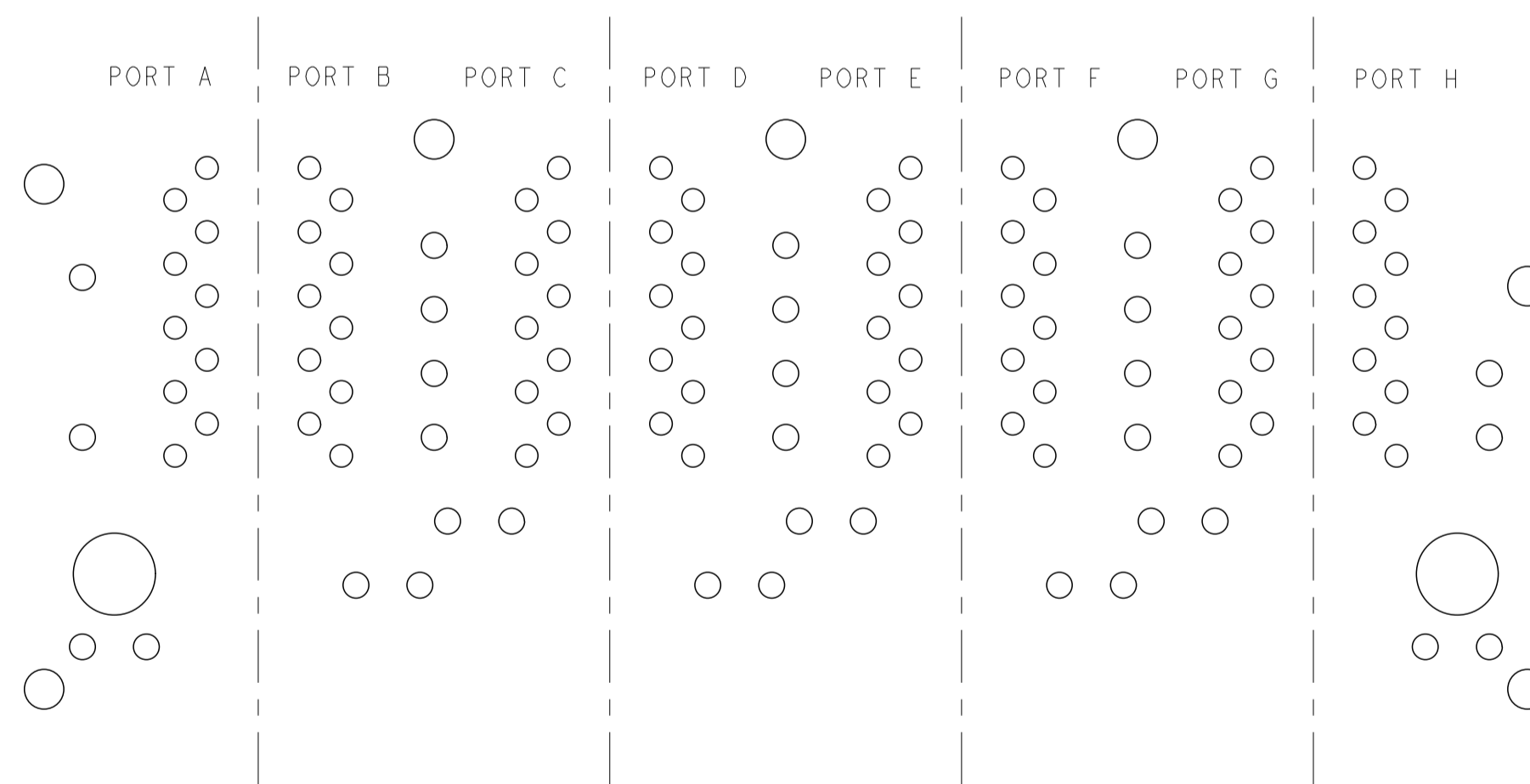
SUGGESTED PANEL CUTOUT DIMENSIONS (TOL: ±0.10)

SHOWN WITH PANEL AND
CUSTOMER PCB ASSEMBLY

THIS DRAWING IS A CONTROLLED DOCUMENT.		DWN: JAMISON CHEN/24NOV2010 CHK: TONY YUAN/24NOV2010 APD: KEITH ZHU/24NOV2010 MODEL NAME:		trp CONNECTOR a bel group DONGGUAN CHINA
DIMENSIONS: mm 		TOLERANCES UNLESS OTHERWISE SPECIFIED: 0 PLC ±0.25 1 PLC ±0.25 2 PLC ±0.25 3 PLC ±0.25 4 PLC ±0.25 ANGLES ±°		
PRODUCT SPEC: 108-104004		MAGJACK STACK PoE+		SIZE: A1 CAGE CODE: 1840661 DRAWING NO: 1840661 RESTRICTED TO:
		CUSTOMER DRAWING		SCALE: 4:1 SHEET: 3 OF 4 REV: E

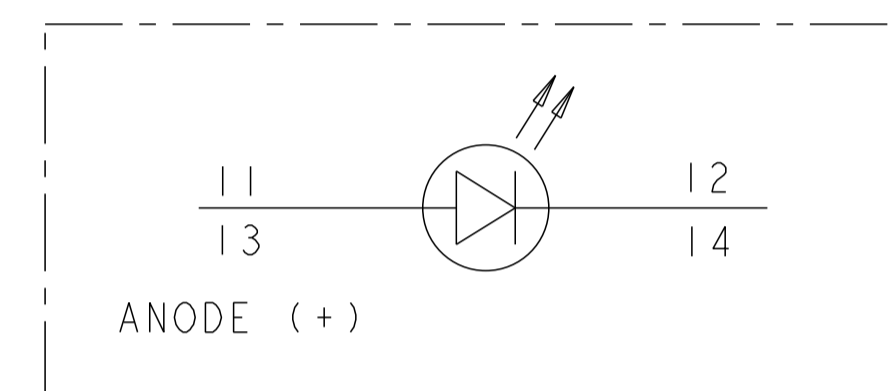


LED HOLE DESIGNATIONS VIEWED FROM COMPONENT SIDE

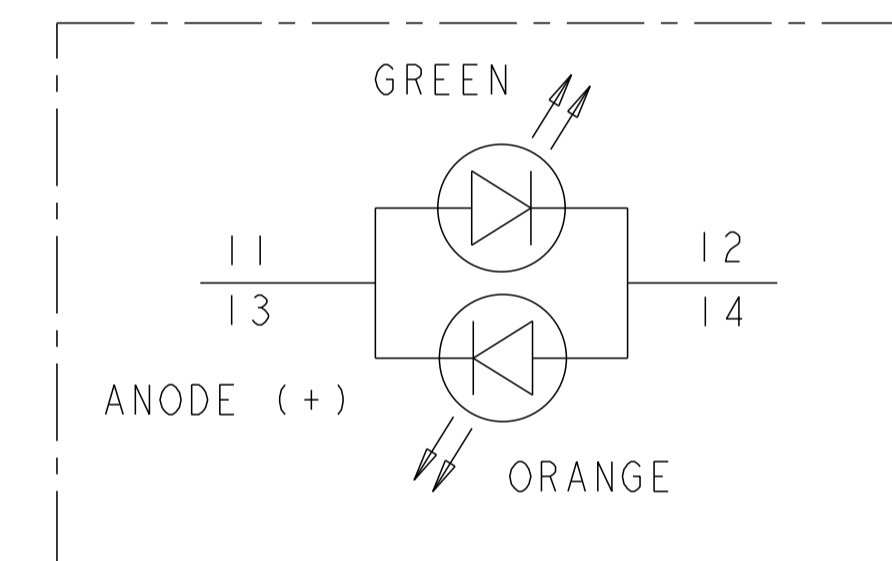


PORT ASSIGNMENT COMPONENT SIDE VIEW

SINGLE COLOR LED



BI COLOR LED



THIS DRAWING IS A CONTROLLED DOCUMENT.		DWN: JAMISON CHEN 24NOV2010 CHK: TONY YUAN 24NOV2010 APVD: KEITH ZHU 24NOV2010	trp CONNECTOR a bel group DONGGUAN CHINA
DIMENSIONS: mm 	TOLERANCES UNLESS OTHERWISE SPECIFIED: 0 PLC ±0.25 1 PLC ±0.25 2 PLC ±0.25 3 PLC ± 4 PLC ± ANGLES ± APPLICATION SPEC ±	MODEL NAME: MAGJACK STACK PoE+	
PRODUCT SPEC: 108-104004	CUSTOMER DRAWING		