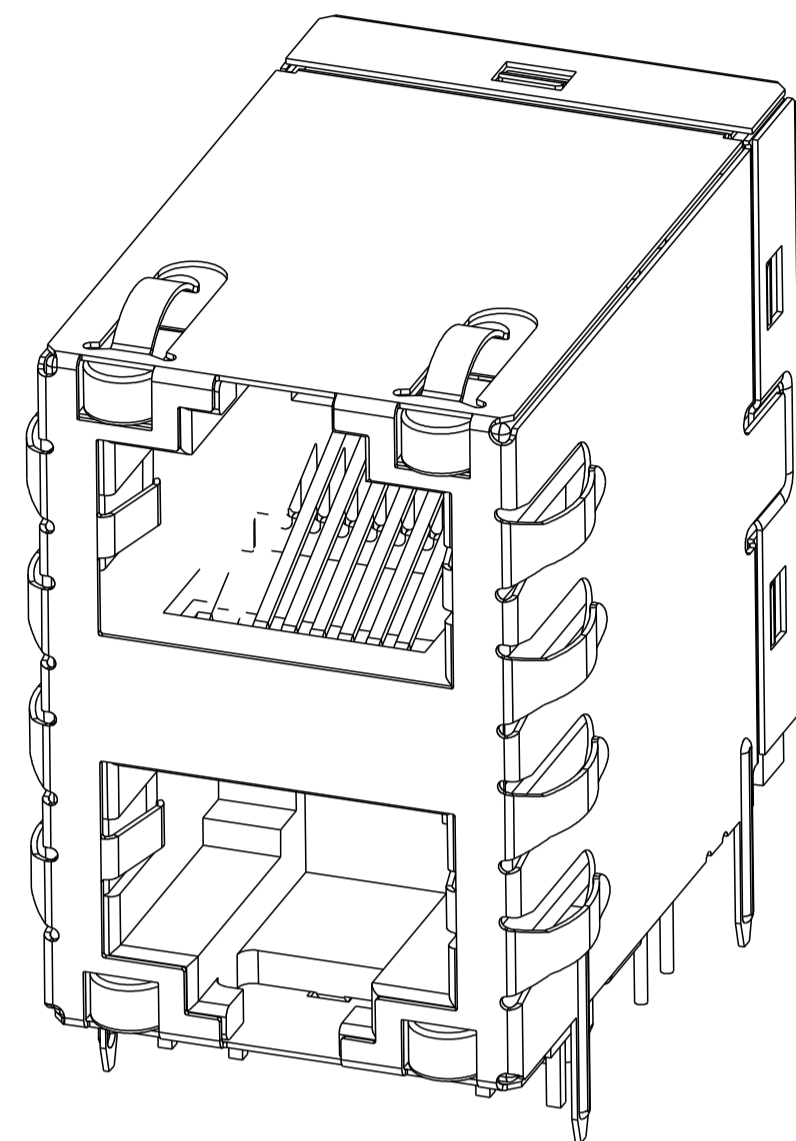


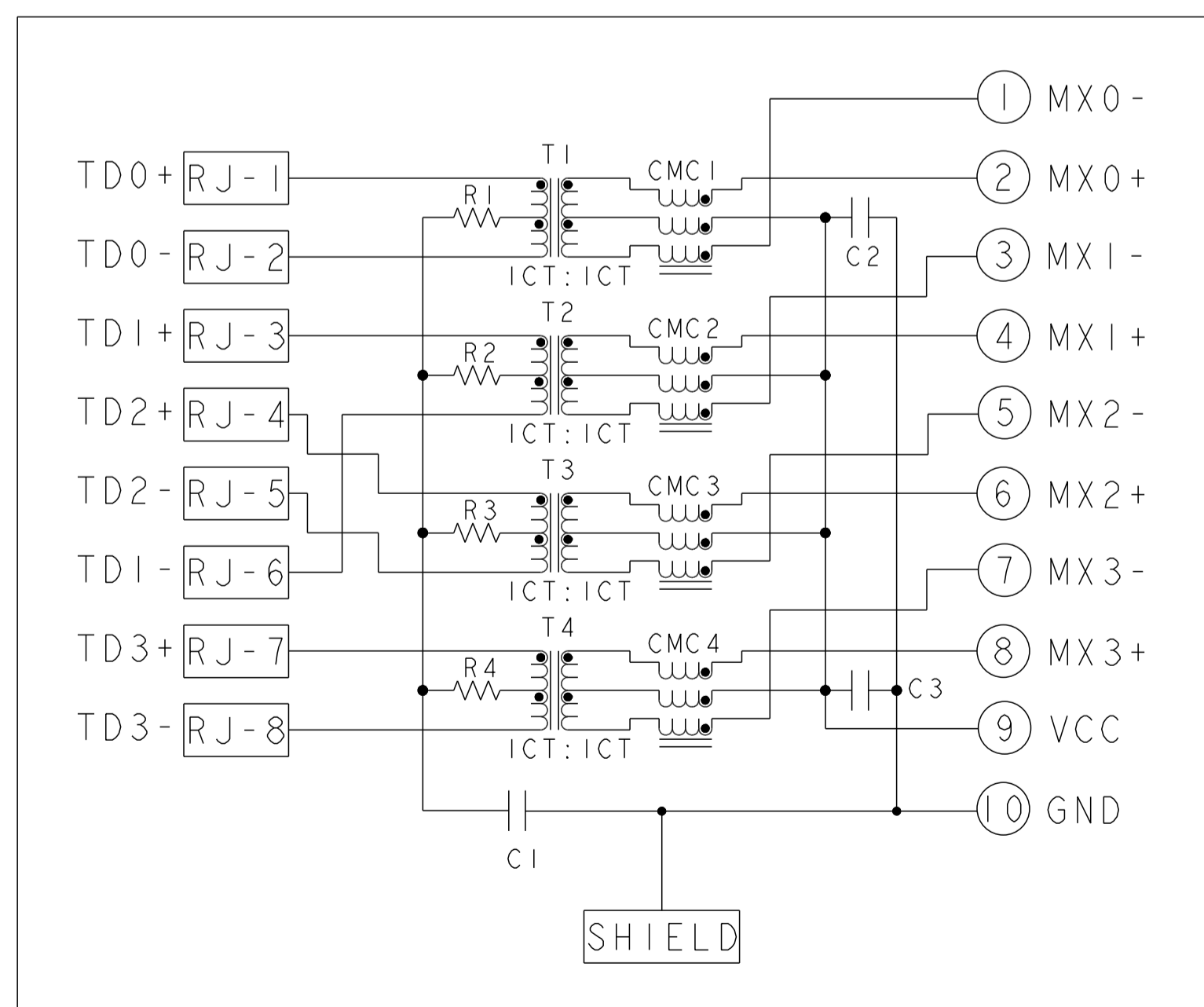
THIS DRAWING AND THE SUBJECT MATTER SHOWN THEREON ARE CONFIDENTIAL AND THE PROPERTY OF BEL/STEWART/TRP CONNECTOR AND SHALL NOT BE REPRODUCED, COPIED, OR USED IN ANY MANNER WITHOUT THE WRITTEN CONSENT OF TRP CONNECTOR.

PRODUCT MAY BE PROTECTED BY ONE OR MORE OF THE FOLLOWING US PATENTS:  
 5736910 5939955 6425781 6428361 6554638 6840817 7123117  
 7429195 7717749 7808751 6217391 6149050 7924130

REVISIONS				
P	LTR	DESCRIPTION	DATE	APPD
G		EC-1411035 COMPANY LOGO CHANGE	18DEC2014	GZ TY



S8G56 GIGABIT CIRCUIT  
 TOP AND BOTTOM PORTS



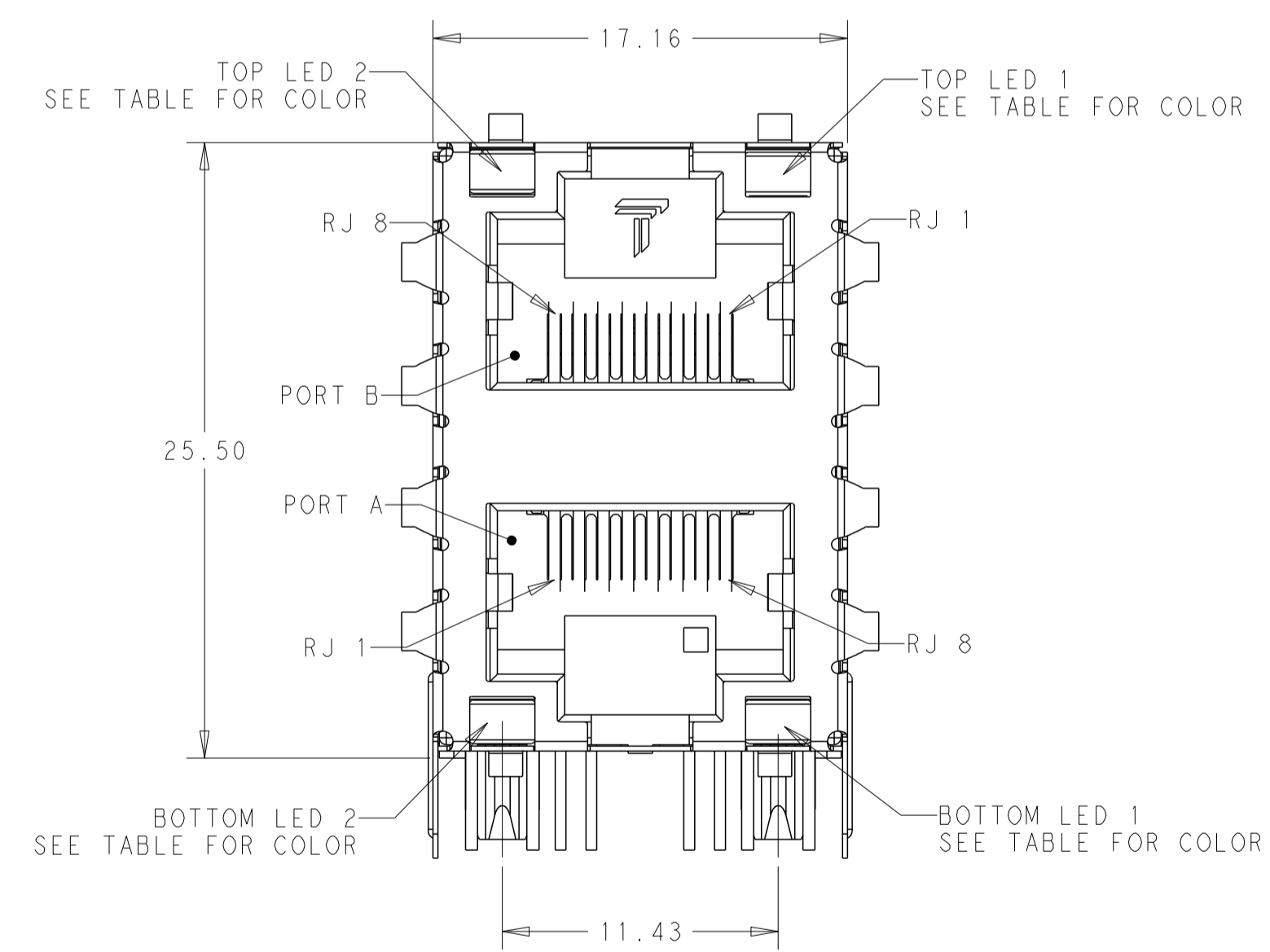
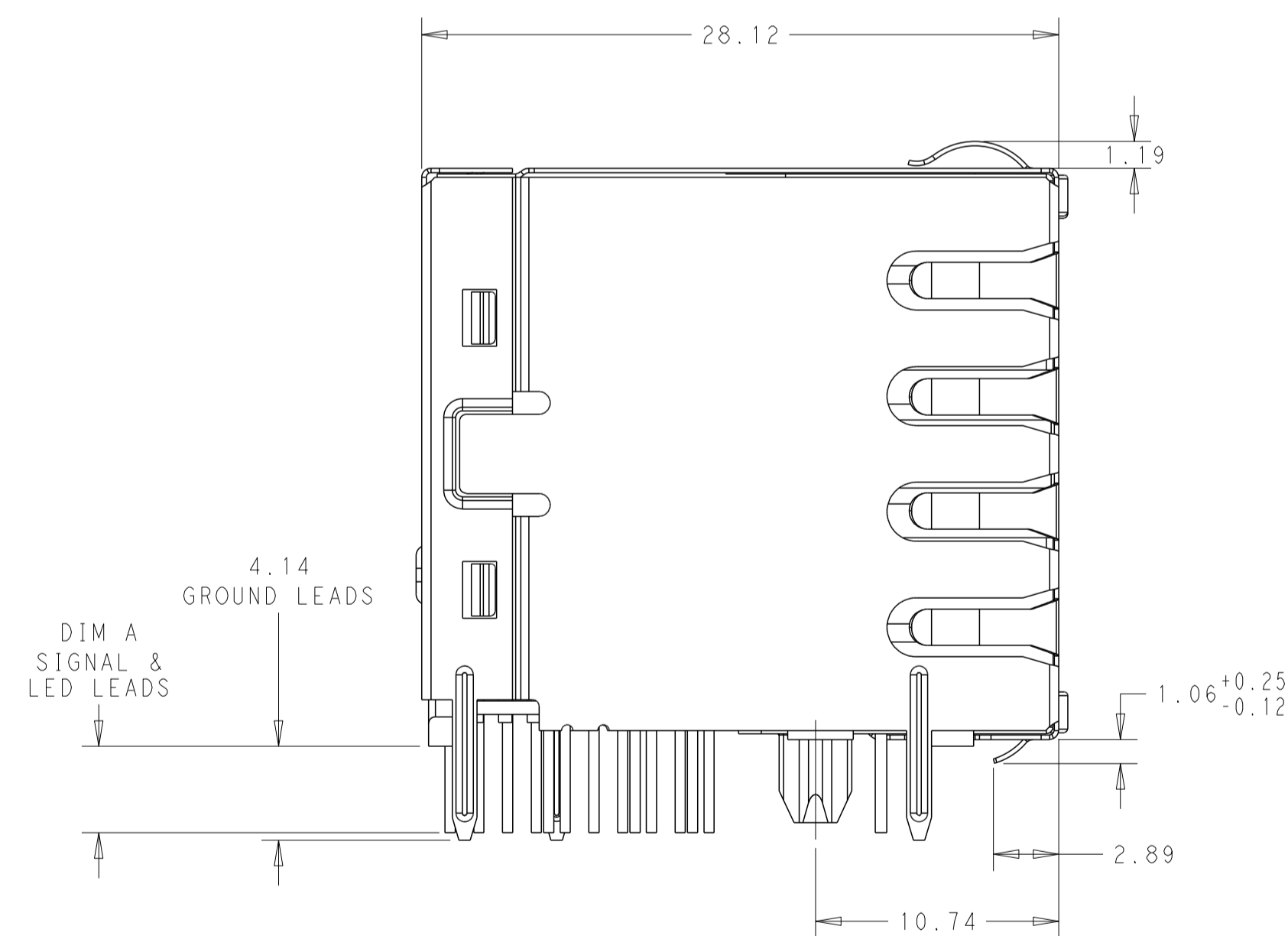
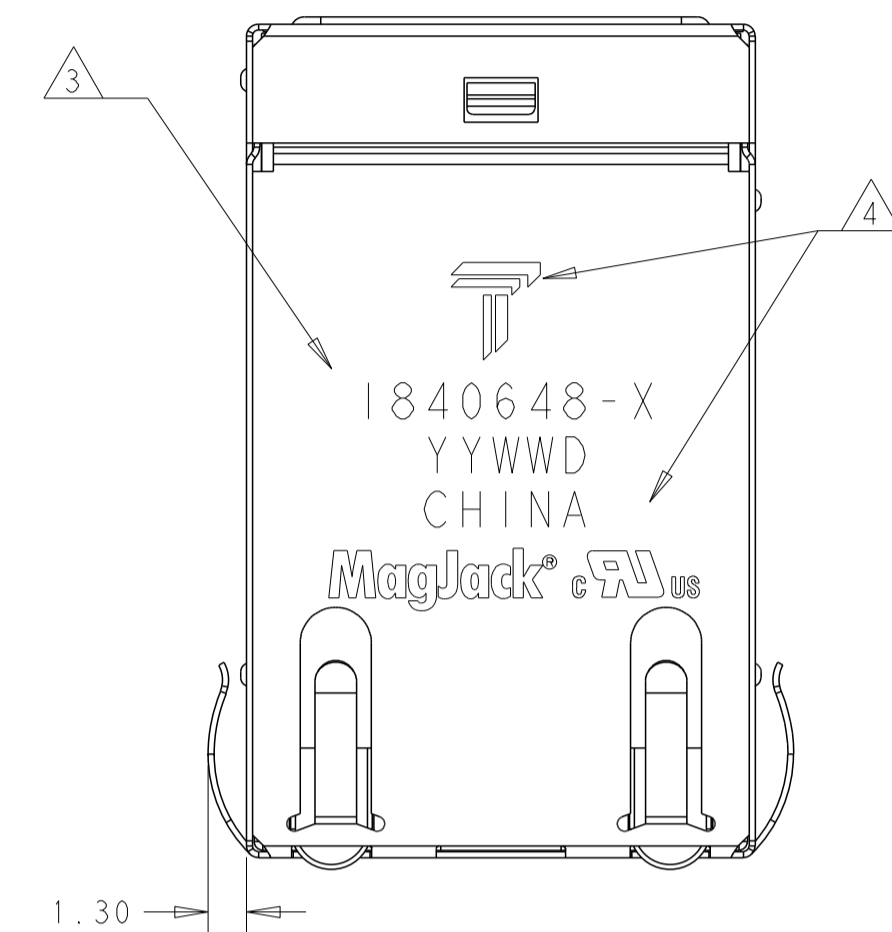
C1 = 1000pF, 2kV CAPACITOR  
 C2 - C3 = 10nF, 50V CAPACITORS  
 R1-R4 = 75 Ohms, 1/16 W, RESISTORS


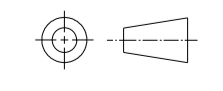
- I. MATERIALS:  
 PLASTIC HOUSING: BLACK, HIGH TEMPERATURE NYLON. FLAMMABILITY RATING UL 94V-0  
 SHIELD: BRASS, PREPLATED WITH 0.76um MIN SEMI-BRIGHT NICKEL,  
 POST DIPPED WITH 2.54um MIN SAC SOLDER ON SOLDER TAILS,  
 CONTACTS: PHOSPHOR BRONZE, 1.27um MIN OVERALL NICKEL  
 UNDERPLATE WITH SELECT 1.27um MIN GOLD AT MATING INTERFACE  
 AND 2.54um MIN MATTE TIN ON SOLDER TAILS.
- II. MAGNETICS  
 APPLICATION: 10/100/1000 BASE-T  
 IMPEDANCE: 100 OHMS  
 TURNS RATIO (CHIP:CABLE): 1:1 ALL FOUR PAIRS  
 OPEN CIRCUIT INDUCTANCE (OCL): 350uH MIN @100kHz, 0.1VRMS,  
 8mADC BIAS FROM 0°C TO 70°C, ALL FOUR PAIRS  
 ALL FOUR PAIRS BI-DIRECTIONAL  
 PERFORMANCE @ 25°C:  
 INSERTION LOSS (IL): 1.1dB MAX FROM 0.5MHz TO 100MHz  
 RETURN LOSS (RL): 18dB MIN FROM 0.5MHz TO 40MHz  
 12-20LOG(f/80)dB MIN FROM 40.1MHz TO 100MHz  
 CROSSTALK ATTENUATION: 35dB MIN FROM 0.5MHz TO 40MHz  
 33-20LOG(f/50)dB MIN FROM 40.1MHz TO 100MHz  
 COMMON MODE REJECTION RATIO (CMRR): 30dB MIN FROM 0.5MHz TO 100MHz  
 ISOLATION VOLTAGE: 2250VDC (MAX) FOR 60 SECONDS WITH A RISE TIME OF 500V/SEC AND  
 WITH ALL PORTS CONNECTED
- III. PART NUMBER, DATE CODE AND COUNTRY OF ORIGIN ARE LOCATED  
 IN APPROXIMATE AREA SHOWN. DATE CODE: "YY" IS YEAR, "WW" IS  
 WORK WEEK, "D" IS DAY OF WEEK, WITH SUNDAY=1
- IV. TRP CONNECTOR LOGO AND AGENCY APPROVAL LOGO ARE  
 LOCATED IN APPROXIMATE AREA SHOWN.
- V. OPERATING TEMP: FROM 0°C TO +70°C.
- VI. RJ45 CAVITY CONFORMS TO FCC RULES AND REGULATION PART 68 SUBPART F.
- VII. INDICATED MAGNETIC CONNECTIONS ARE SYMMETRICAL AND  
 SUPPORT AUTO-MDI/MDIX.
- VIII. DATUM AND BASIC DIMENSION ESTABLISHED BY CUSTOMER.
- IX. BASIC DIMENSION ESTABLISHED BY CUSTOMER, BUT MAY NOT BE  
 GREATER THAN 5.08mm.
- X. LEDS ARE DRIVEN WITH CONSTANT CURRENT AT APPROX 20mA  
 LED COLOR: DOMINANT WAVELENGTH (λD): GREEN 568 nm TYP. @ IF=20mA  
 FORWARD VOLTAGE (VF): GREEN 2.2V TYP. @ IF=20mA  
 DOMINANT WAVELENGTH (λD): YELLOW 588 nm TYP @ IF=20 mA  
 FORWARD VOLTAGE (VF): YELLOW 2.1V TYP @ IF=20 mA
- XI. THE PARTS ARE RECOMMENDED FOR WAVE SOLDERING PROCESS,  
 PEAK TEMPERATURE 260°C MAX, 10 SECONDS MAX.

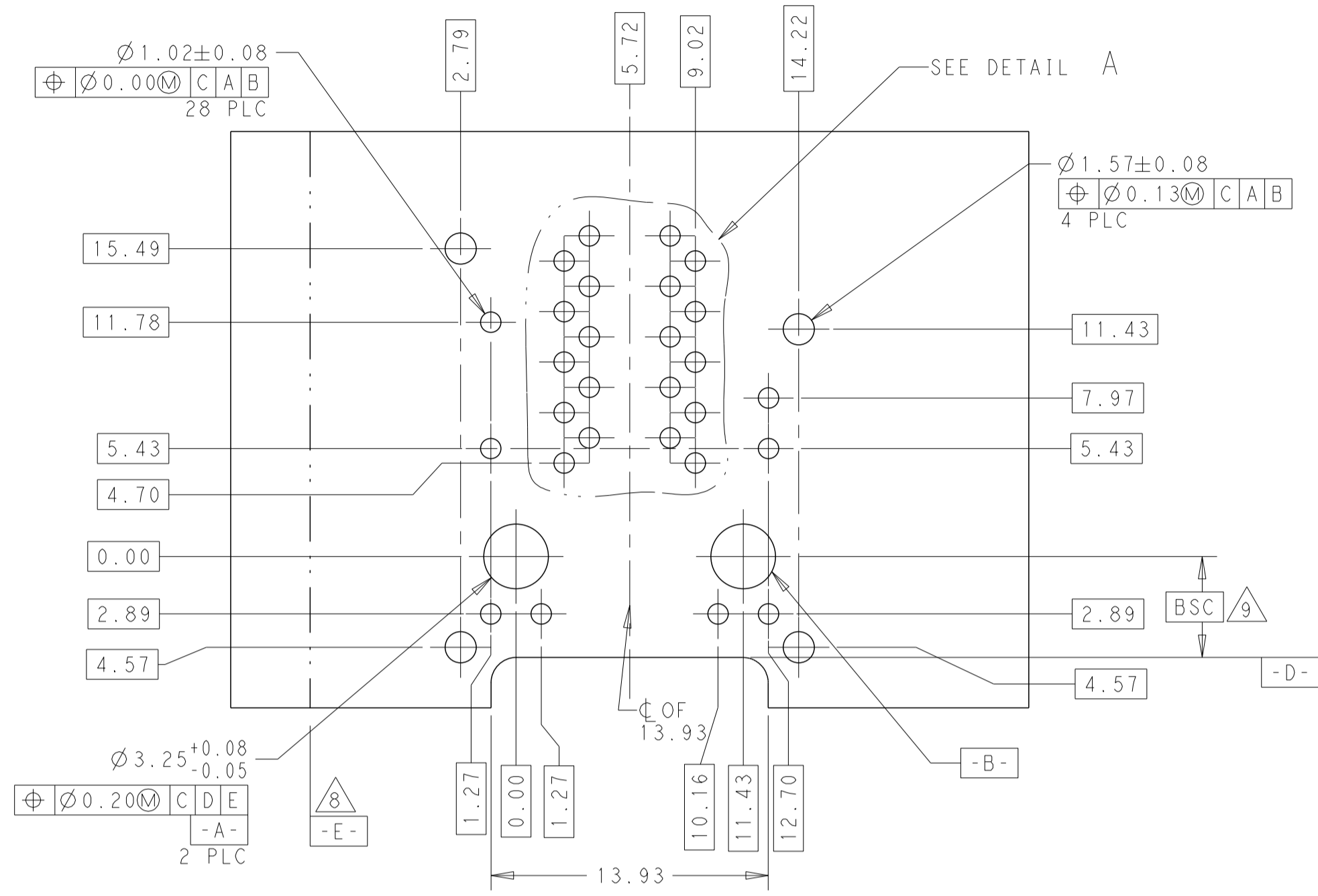
**OBSELETE**

3.56	GREEN/YELLOW	GREEN	GREEN	GREEN/YELLOW	2-1840648-7
3.81	GREEN/YELLOW	GREEN/YELLOW	GREEN/YELLOW	GREEN/YELLOW	1-1840648-4
	GREEN/YELLOW	GREEN/YELLOW	GREEN/YELLOW	GREEN/YELLOW	1840648-4
DIM A	BOTTOM LED 2	BOTTOM LED 1	TOP LED 2	TOP LED 1	PART NUMBER

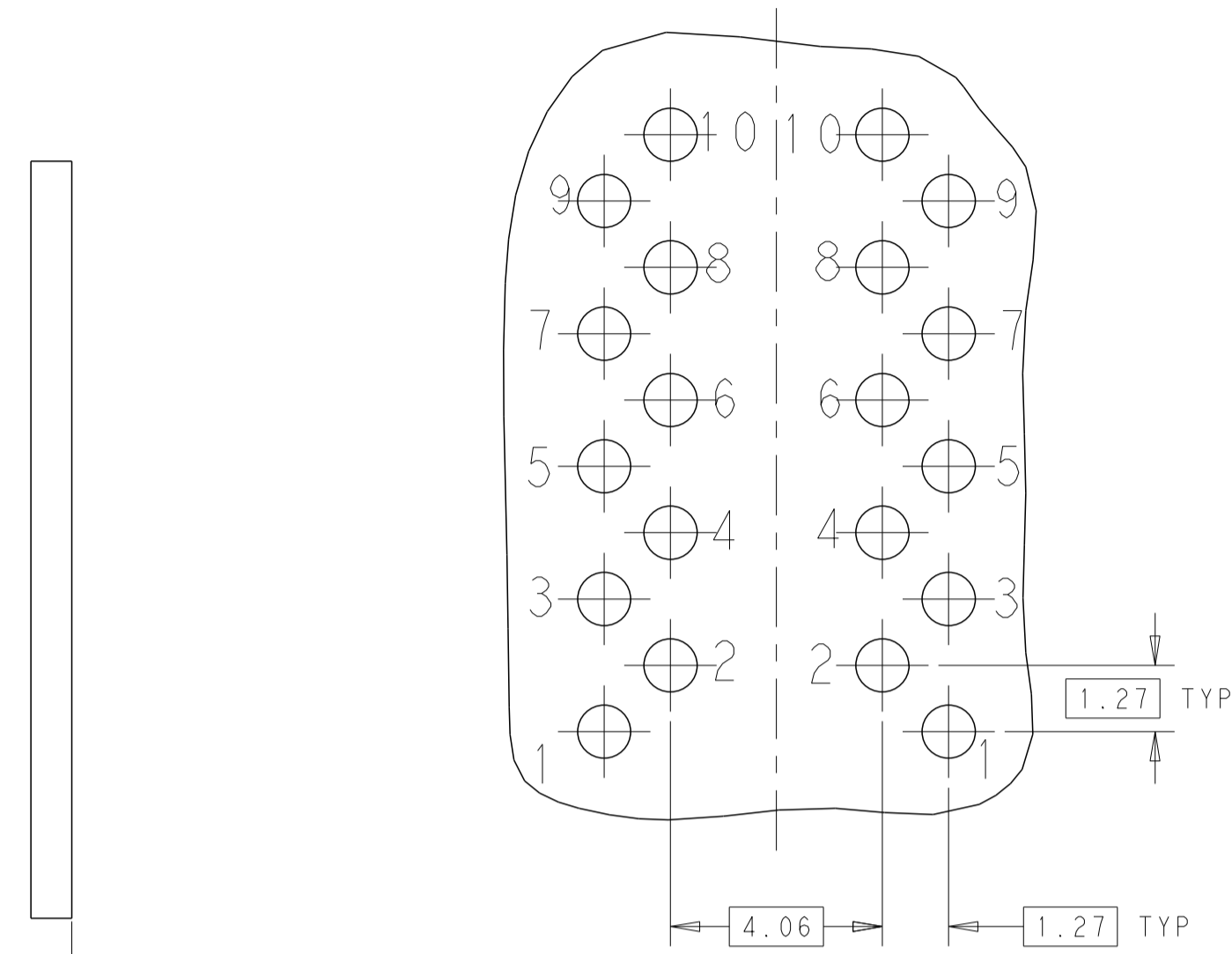
THIS DRAWING IS A CONTROLLED DOCUMENT.		DWN: TOMMY REN/TERRY LIN 03AUG2011		<b>trp</b> CONNECTOR a bel group DONGGUAN CHINA	
DIMENSIONS: mm		CHK: TONY YUAN 03AUG2011			
TOLERANCES UNLESS OTHERWISE SPECIFIED:		APVD: KEITH ZHU 03AUG2011		MODEL NAME	
0 PLC ±0.25		1 PLC ±0.25		DESC: 2X1 S8G56 GIGABIT W/ LED	
2 PLC ±0.25		3 PLC ±0.25		SIZE: A1	
4 PLC ±		ANGLES ±		CAGE CODE: 1840648	
PRODUCT SPEC: 108-104004		APPLICATION SPEC: -		DRAWING NO: 1840648	
CUSTOMER DRAWING		SCALE: 4:1		SHEET 1 OF 4	



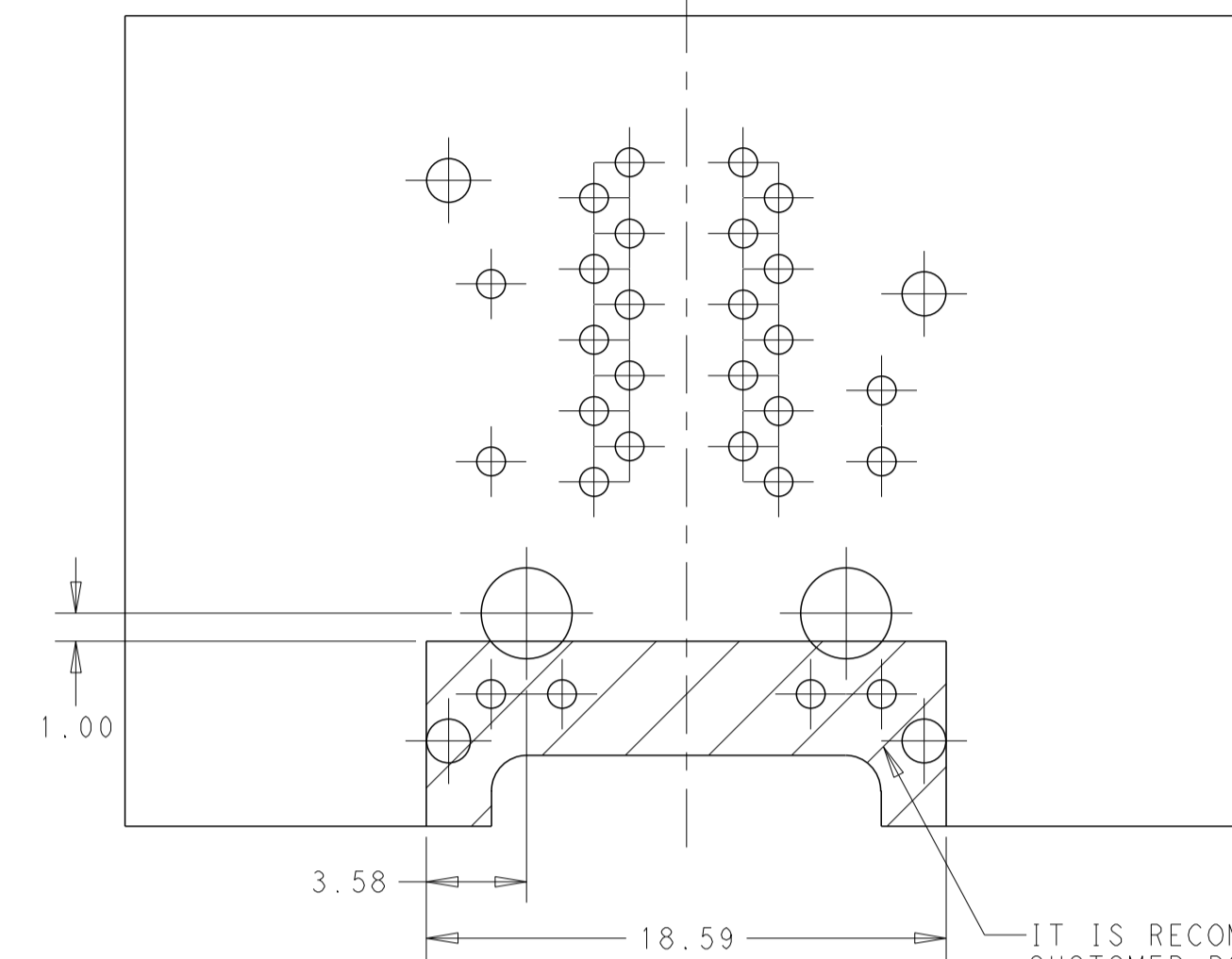
THIS DRAWING IS A CONTROLLED DOCUMENT.		DRW: TOMMY REN/TERRY LIN 03AUG2011	 <b>trp</b> CONNECTOR a bel group DONGGUAN CHINA
DIMENSIONS: mm		CHK: TONY YUAN 03AUG2011	
		APP'D: KEITH ZHU 03AUG2011	
TOLERANCES UNLESS OTHERWISE SPECIFIED:		MODEL NAME	DESC: 2X1 S8G56 GIGABIT W/ LED
0 PLC ±0.25		MAGJACK	SIZE: A1
1 PLC ±0.25		STACK Non-PoE	CAGE CODE: C=1840648
2 PLC ±0.25		CUSTOMER DRAWING	DRAWING NO: 108-104004
3 PLC ±			RESTRICTED TO: HP
4 PLC ±			SCALE: 4:1
ANGLES ±			SHEET 2 OF 4
APPLICATION SPEC			REV: G



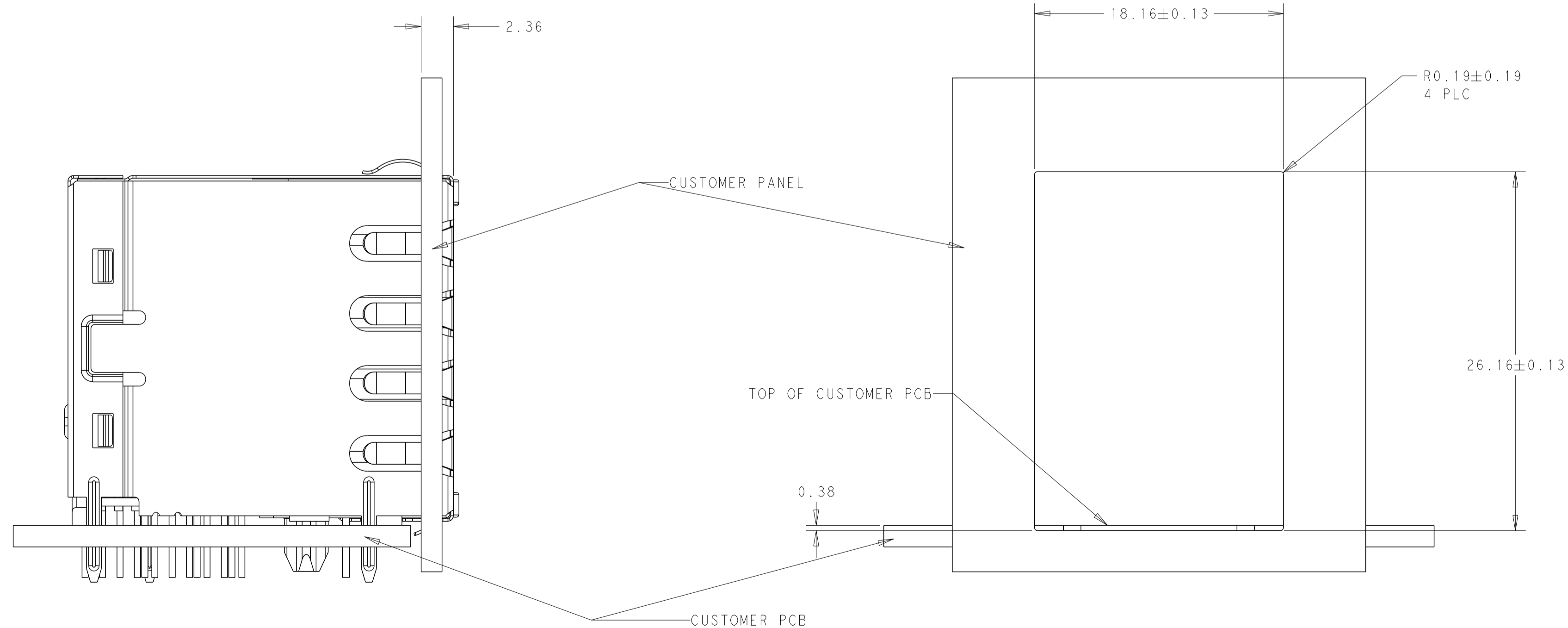
RECOMMENDED PCB LAYOUT COMPONENT SIDE VIEW



DETAIL A SCALE 8:1



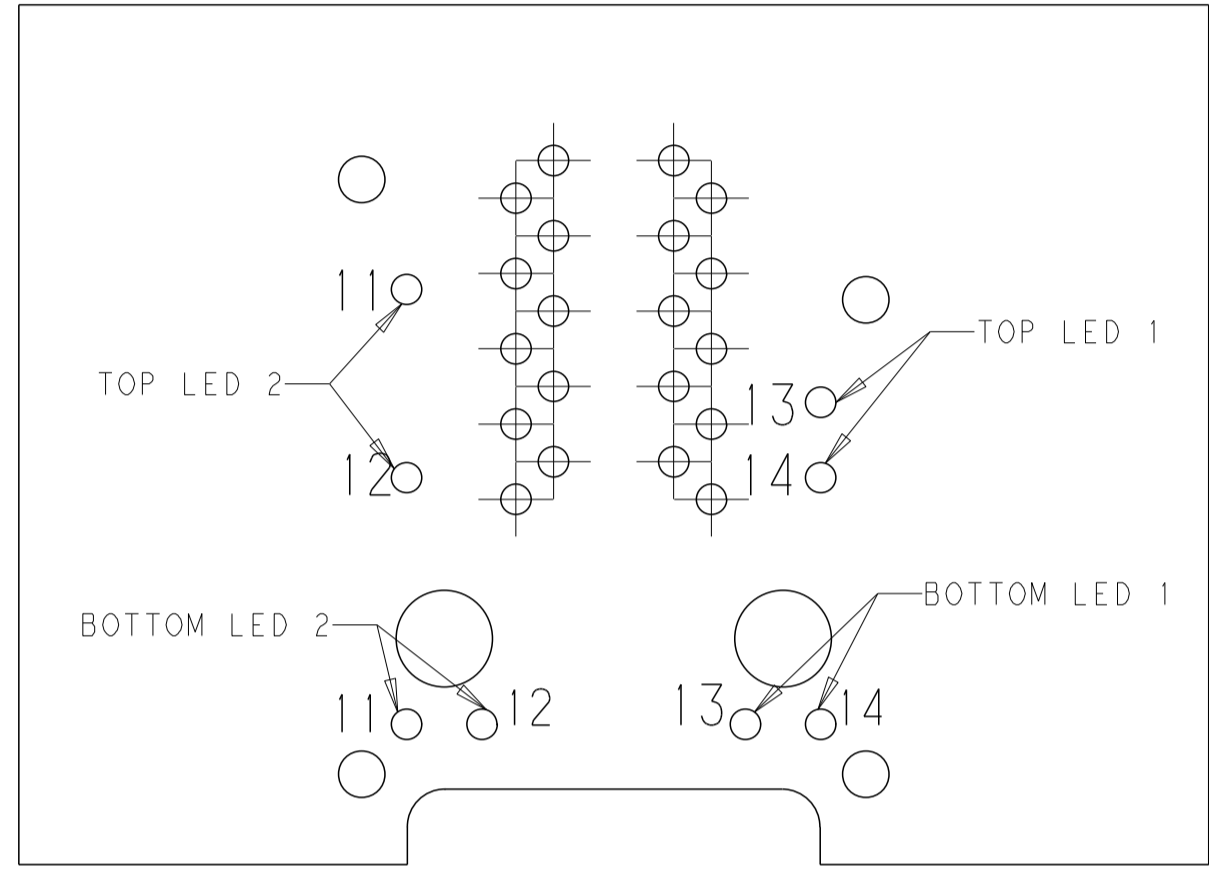
IT IS RECOMMENDED THAT SHADED AREA OF CUSTOMER PC BOARD BE CLEAR OF ANY VIA HOLE, COMPONENT AND CIRCUIT TRACE



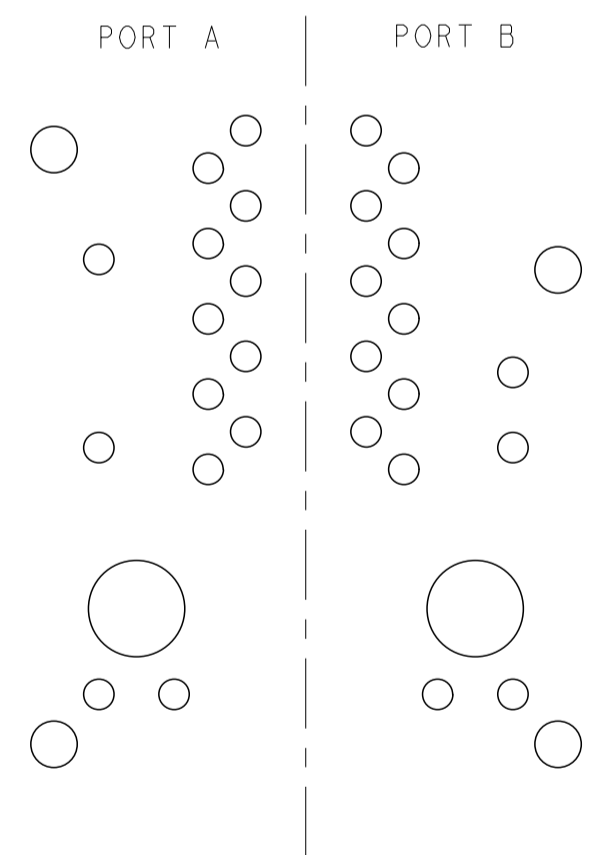
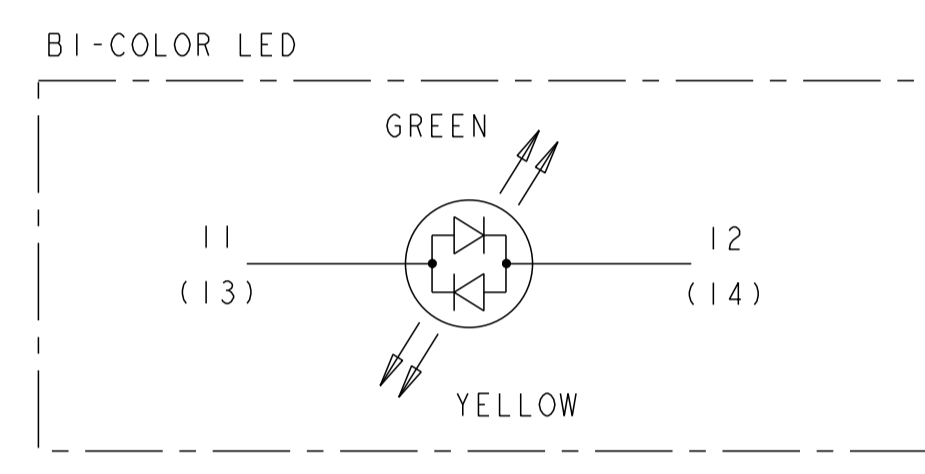
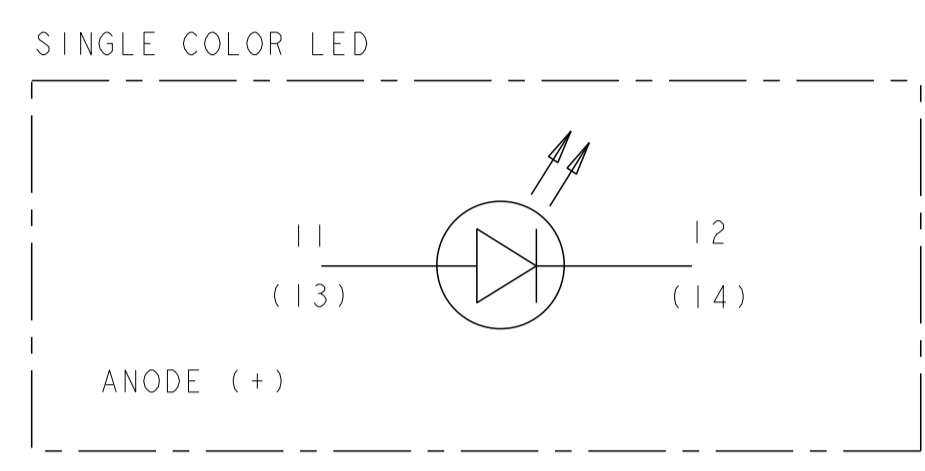
SHOWN WITH PANEL AND CUSTOMER PCB ASSEMBLY

SUGGESTED PANEL CUTOUT DIMENSIONS

THIS DRAWING IS A CONTROLLED DOCUMENT.		DW: TOMMY REN/TERRY LIN 03AUG2011 CHK: TONY YUAN 03AUG2011 APP'D: KEITH ZHU 03AUG2011		<b>TRP CONNECTOR</b> DONGGUAN CHINA	
DIMENSIONS: mm		TOLERANCES UNLESS OTHERWISE SPECIFIED: 0 PLC $\pm 0.25$ 1 PLC $\pm 0.25$ 2 PLC $\pm 0.25$ 3 PLC $\pm$ 4 PLC $\pm$ ANGLES $\pm$		MODEL NAME: MAGJACK DESC: 2X1 S8G56 GIGABIT W/ LED	
PRODUCT SPEC: 108-104004		APPLICATION SPEC: -		SIZE: A1 CAGE CODE: 1840648 DRAWING NO: 1840648	RESTRICTED TO: -
CUSTOMER DRAWING				SCALE: 4:1	SHEET 3 OF 4 REV G



LED HOLE DESIGNATIONS  
VIEWED FROM COMPONENT SIDE



PORT ASSIGNMENT  
COMPONENT SIDE VIEW

THIS DRAWING IS A CONTROLLED DOCUMENT.		DRW: TOMMY REN/TERRY LIN 03AUG2011	<b>TRP CONNECTOR</b> a bel group DONGGUAN CHINA
DIMENSIONS: mm		CHK: TONY YUAN 03AUG2011	
		APP'D: KEITH ZHU 03AUG2011	
TOLERANCES UNLESS OTHERWISE SPECIFIED: 0 PLC ±0.25 1 PLC ±0.25 2 PLC ±0.25 3 PLC ± 4 PLC ± ANGLES ±°		MODEL NAME: MAGJACK	DESC: 2X1 S8G56 GIGABIT W/ LED
PRODUCT SPEC: 108-104004	APPLICATION SPEC: -	SIZE: A1	CAGE CODE: - DRAWING NO: C=1840648 RESTRICTED TO: - CUSTOMER DRAWING
		SCALE: 4:1	SHEET 4 OF 4 REV G