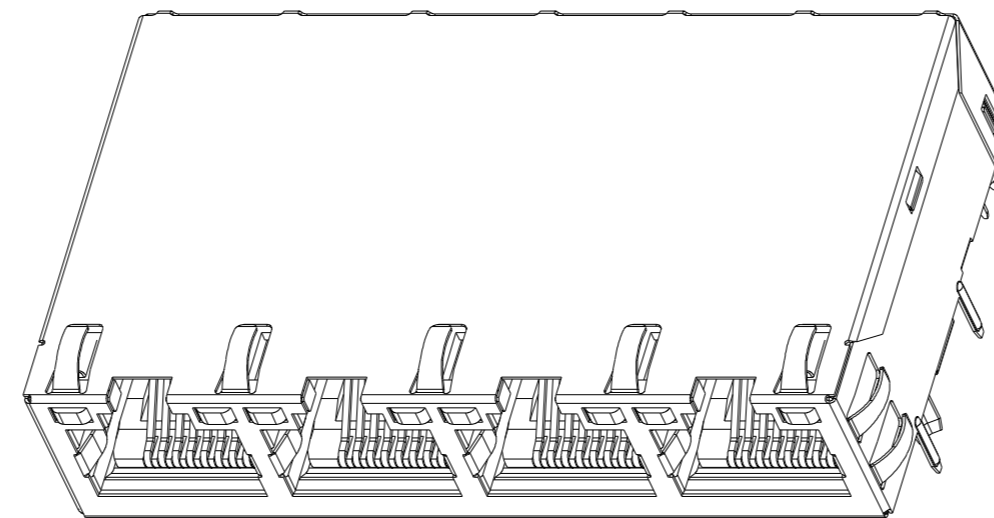
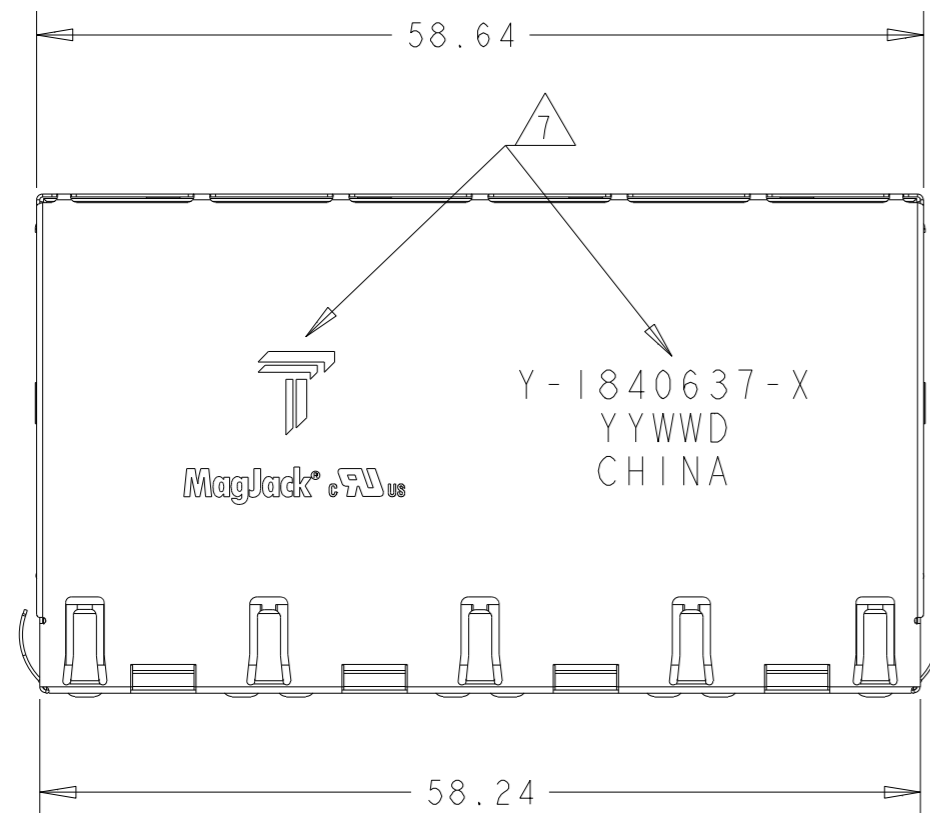


THIS DRAWING AND THE SUBJECT MATTER SHOWN THEREON ARE CONFIDENTIAL AND THE PROPERTY OF BEL/STEWART/TRP CONNECTOR AND SHALL NOT BE REPRODUCED, COPIED, OR USED IN ANY MANNER WITHOUT THE WRITTEN CONSENT OF TRP CONNECTOR.

PRODUCT MAY BE PROTECTED BY ONE OR MORE OF THE FOLLOWING US PATENTS:
 5736910 5939955 6425781 6428361 6554638 6840817 7123117
 7429195 7717749 7808751 6217391 6149050 7924130

REVISIONS				
P	LTR	DESCRIPTION	DATE	APVD
C		EC-1411035 COMPANY LOGO CHANGE	29DEC2014	DP TY

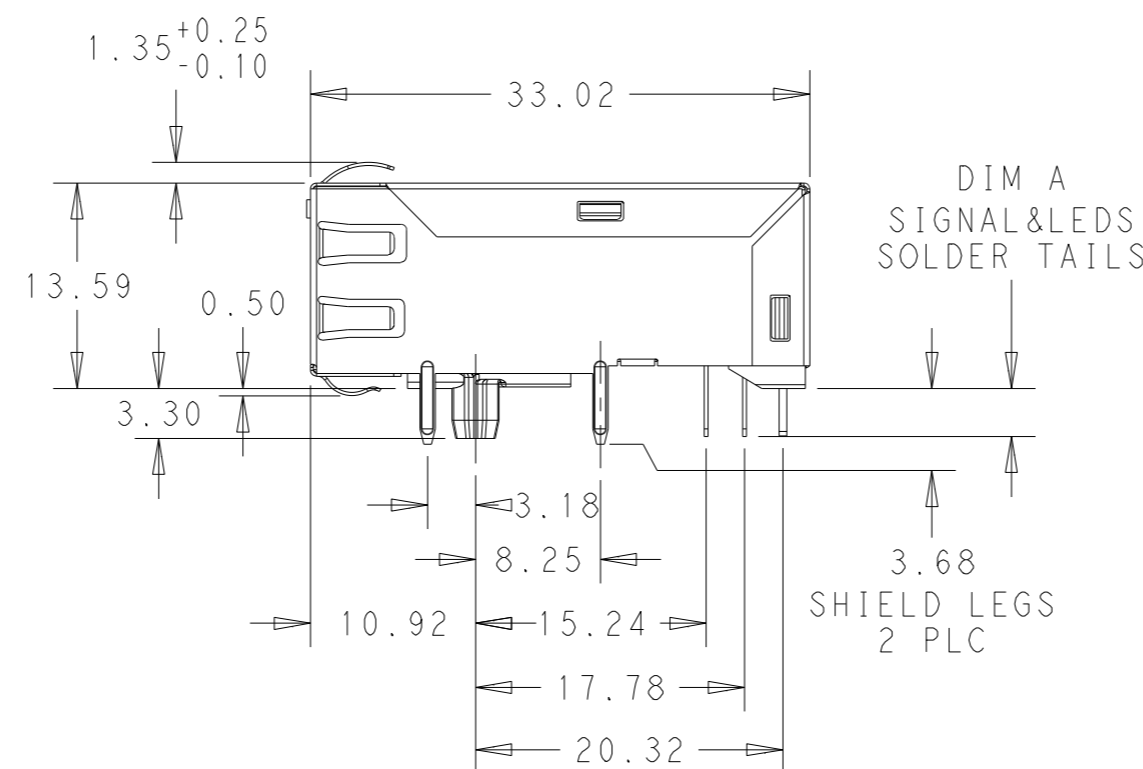
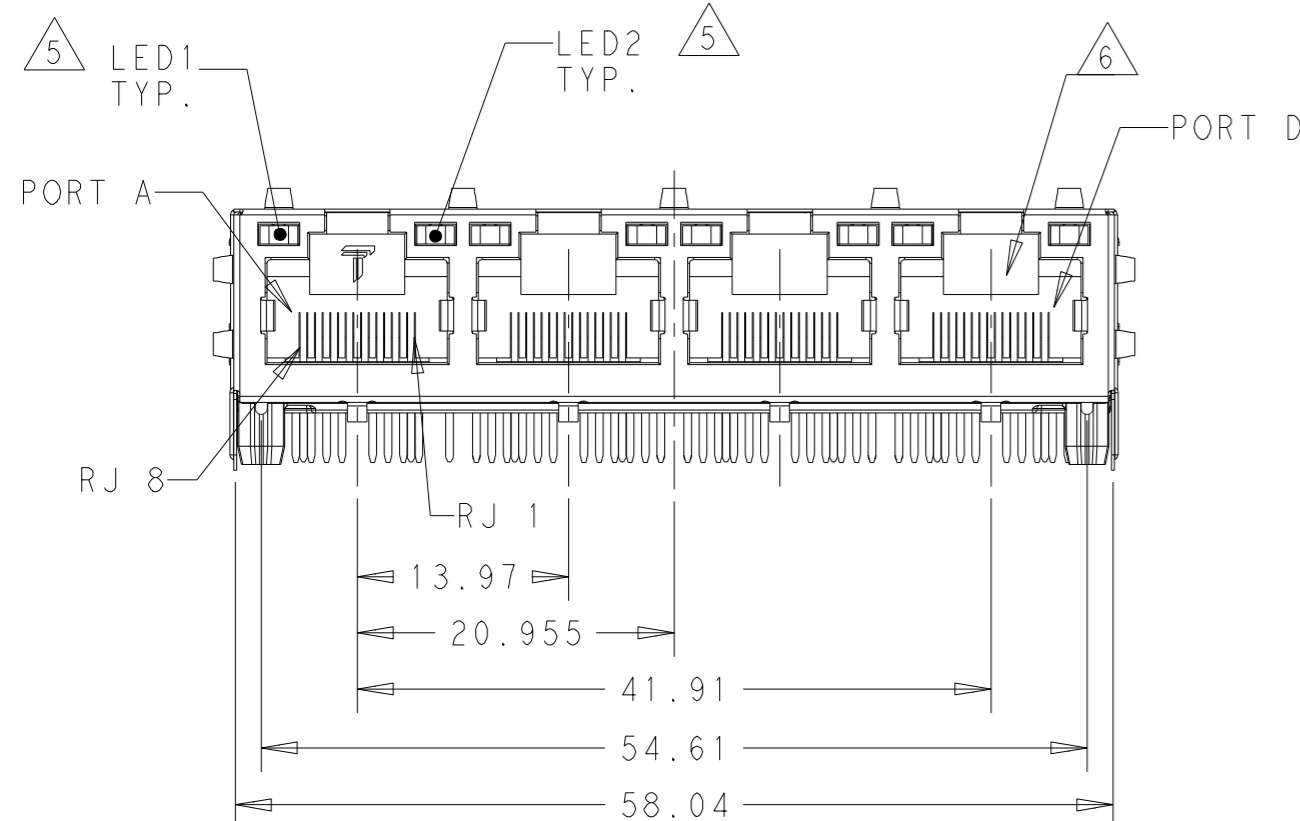


1. MATERIALS

- HOUSING: THERMOPLASTIC, BLACK, FLAMMABILITY RATING UL 94V-0
- SHIELD: BRASS, 0.20mm THICK, PREPLATED WITH MIN 0.76um SEMI-BRIGHT NICKEL POST DIPPED WITH 2.54um MIN SAC SOLDER AT GROUND PINS.
- CONTACT: PHOSPHOR BRONZE, 0.46mm X0.25mm WITH 1.27um MIN OVERALL NICKEL UNDERPLATE AND SELECTIVE 1.27um MIN GOLD PLATING AT MATING INTERFACE
- SOLDER TAIL: 0.25mm THICK, PHOSPHOR BRONZE, 1.27um MIN OVERALL NICKEL UNDERPLATE, 3um MIN TIN PLATE
- LIGHT PIPE: POLYCARBON, TRANSPARENT, RATING UL 94V-0
- LED: DIFFUSED EPOXY LENS, CARBON STEEL WIREFRAME LEADS PREPLATED WITH 2.03um MIN SILVER OVER 1.02um MIN NICKEL UNDERPLATE OVER 1.02um MIN COPPER UNDERPLATE; POST PLATED WITH 2.54um MIN MATTE TIN.

2. MAGNETICS

- APPLICATION: 10/100/1000 BASE-T
- IMPEDANCE: 100 OHMS
- TURNS RATIO (CHIP:CABLE): 1:1 ALL FOUR PAIRS
- OPEN CIRCUIT INDUCTANCE (OCL): 350uH MIN @100kHz, 0.1VRMS, 8mA DC BIAS FROM 0°C TO 70°C, ALL FOUR PAIRS
- ALL FOUR PAIRS BI-DIRECTIONAL
- PERFORMANCE @ 25°C:
 - INSERTION LOSS (IL): 1.1dB MAX FROM 0.5MHz TO 100MHz
 - RETURN LOSS (RL): 18dB MIN FROM 0.5MHz TO 40MHz
 - 12-20LOG(f/80)dB MIN FROM 40.1MHz TO 100MHz
 - CROSSTALK ATTENUATION: 35dB MIN FROM 0.5MHz TO 40MHz
 - 33-20LOG(f/50)dB MIN FROM 40.1MHz TO 100MHz
 - COMMON MODE REJECTION RATIO (CMRR): 30dB MIN FROM 0.5MHz TO 100MHz
- ISOLATION VOLTAGE: 2250VDC (MAX) FOR 60 SECONDS WITH A RISE TIME OF 500V/SEC AND WITH ALL PORTS CONNECTED.



3. THE MAGNETIC CIRCUIT ON ALL FOUR CHANNELS IS SYMMETRICAL AND SUPPORTS AUTO-MDIX OPERATION.

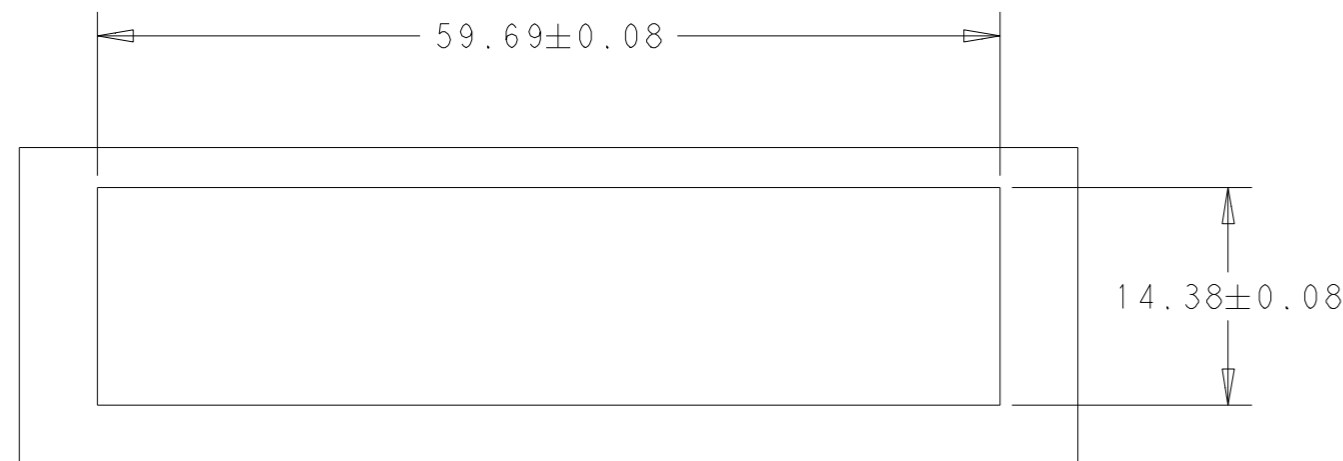
4. OPERATING TEMPERATURE: 0°C ~ 70°C

5. LEDs ARE DRIVEN WITH CONSTANT CURRENT AT APPROX 20mA.
 LED COLOR: DOMINANT WAVELENGTH (λD): GREEN 568 nm TYP. at IF=20mA
 FORWARD VOLTAGE (VF): GREEN 2.2V TYP. at IF=20mA
 DOMINANT WAVELENGTH (λD): ORANGE 610 nm TYP. at IF=20mA
 FORWARD VOLTAGE (VF): ORANGE 2.1V TYP. at IF=20mA

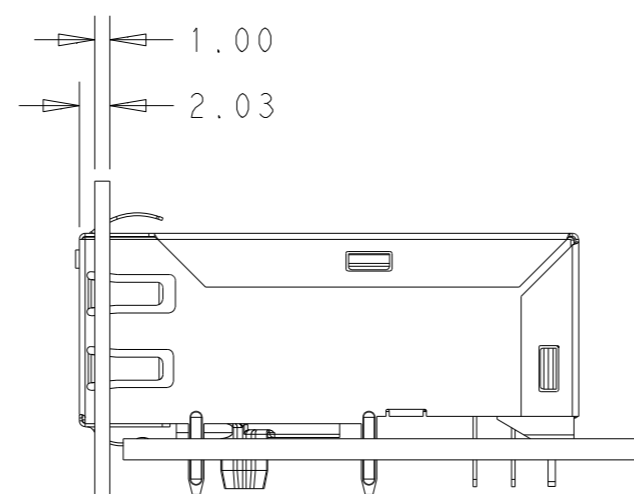
6. RJ45 CAVITY CONFORMS TO FCC RULES AND REGULATION PART 68 SUBPART F.

7. TRP CONNECTOR LOGO, PART NUMBER, DATE CODE, COUNTRY OF ORIGIN, AGENCY APPROVAL MARKING IN APPROPRIATE LOCATION SHOWN.
 DATE CODE: YYWWD "YY" IS YEAR, "WW" IS WORK WEEK, "D" IS DAY OF WEEK, WITH SUNDAY=1.

8. PART SHOULD BE RECOMMENDED FOR WAVE SOLDERING PROCESS, PEAK WAVE SOLDERING TEMPERATURE IS 260°C, 10sec MAX.



SUGGESTED PANEL CUTOUT SCALE 2:1



CONNECTOR ASSEMBLED TO PANEL AND PCB SCALE 2:1

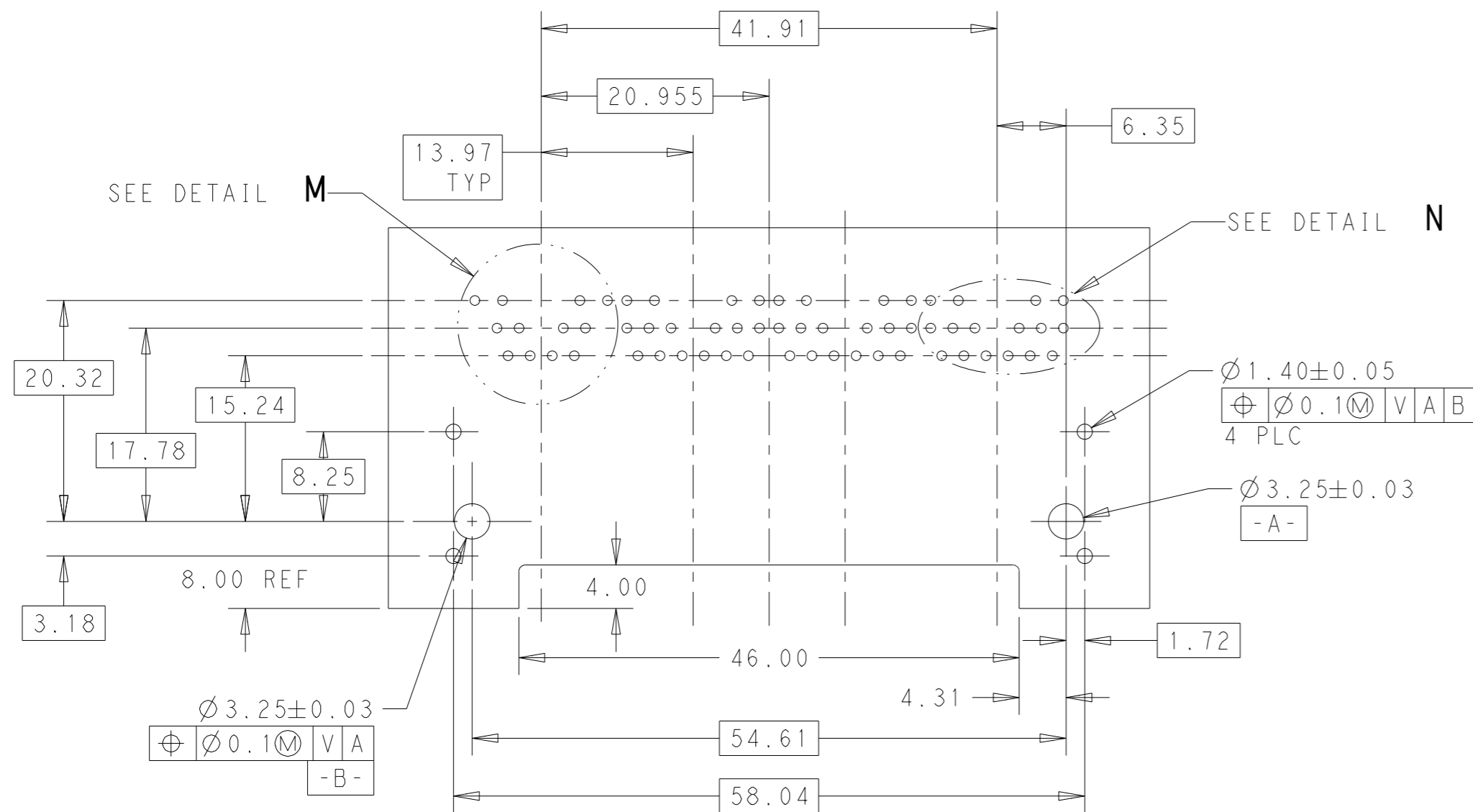
THIS DRAWING IS A CONTROLLED DOCUMENT.		DWN	JAMISON CHEN	21MAR2012
DIMENSIONS: mm		CHK	QUENTIN LIU	21MAR2012
TOLERANCES UNLESS OTHERWISE SPECIFIED:		APVD	KEITH ZHU	21MAR2012
0 PLC ±-		MODEL NAME	MAGJACK GANG NON-POE	
1 PLC ±0.25		SIZE A2		
2 PLC ±0.25		CAGE CODE C-1840637		
3 PLC ±0.25		DRAWING NO C-1840637		
4 PLC ±-		RESTRICTED TO -		
ANGLES ±-		CUSTOMER DRAWING		
APPLICATION SPEC -		SCALE 2:1 SHEET 1 OF 2 REV C		

3.18	GREEN/ORANGE	GREEN/ORANGE	1-1840637-7
DIM A	LED2	LED 1	PART NUMBER

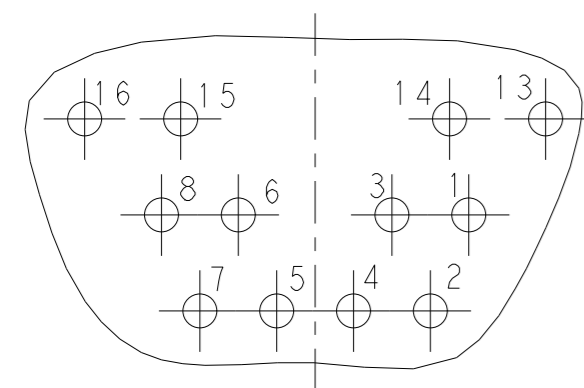


IX4 7G4I GIGABIT TAB UP LOW PROFILE W/ LED

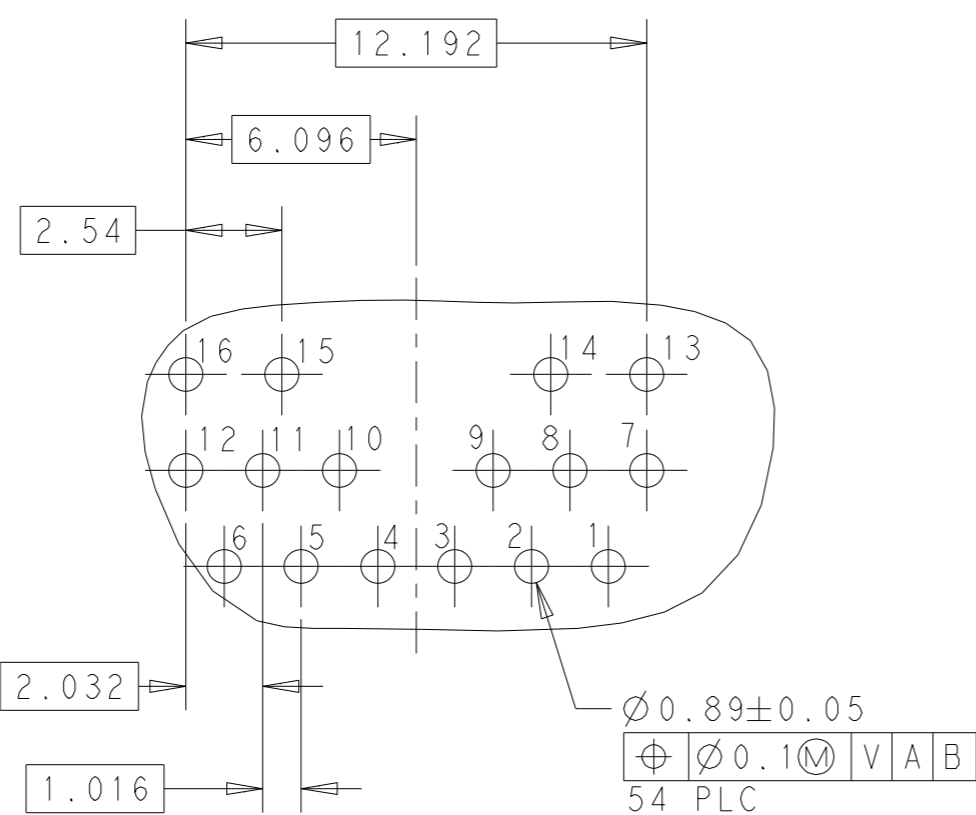
SIZE	CAGE CODE	DRAWING NO	RESTRICTED TO
A2	C-1840637	C-1840637	-
CUSTOMER DRAWING		SCALE 2:1	SHEET 1 OF 2 REV C



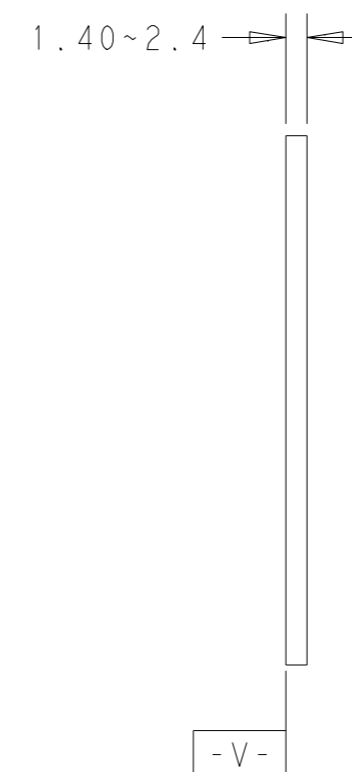
SUGGESTED PCB FOOTPRINT COMPONENT SIDE SCALE 2:1



DETAIL M SCALE 5:1



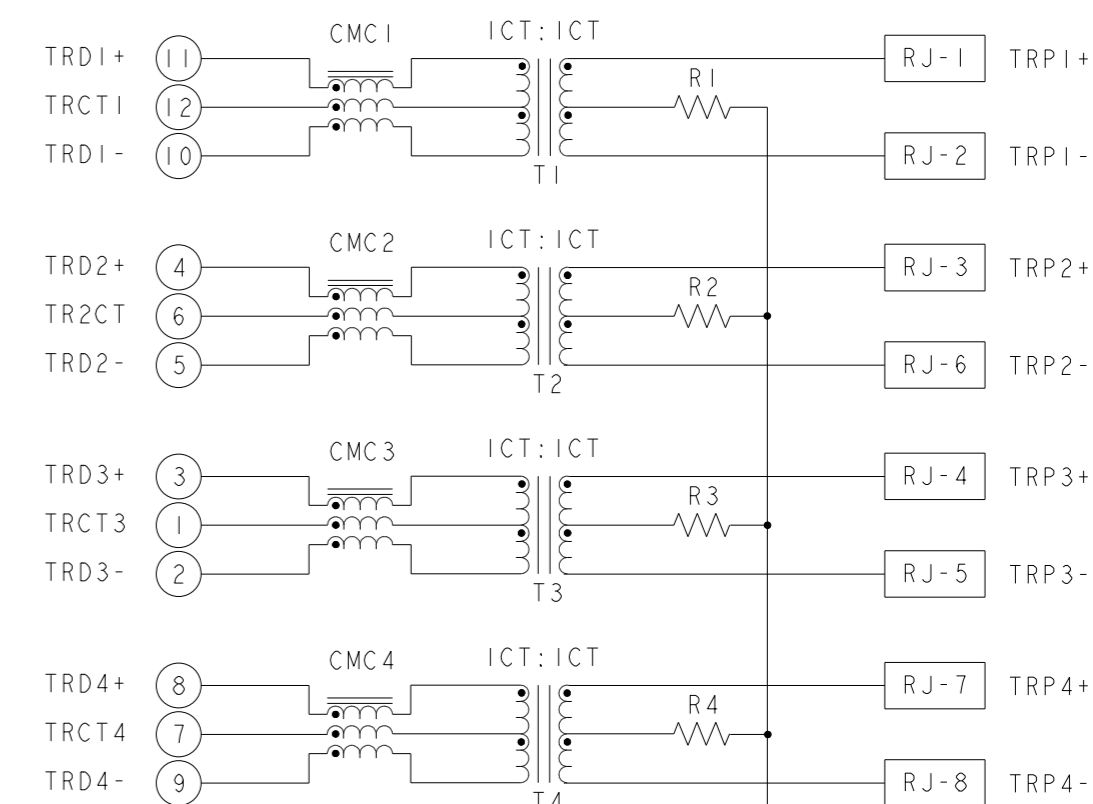
DETAIL N SCALE 5:1 TYP



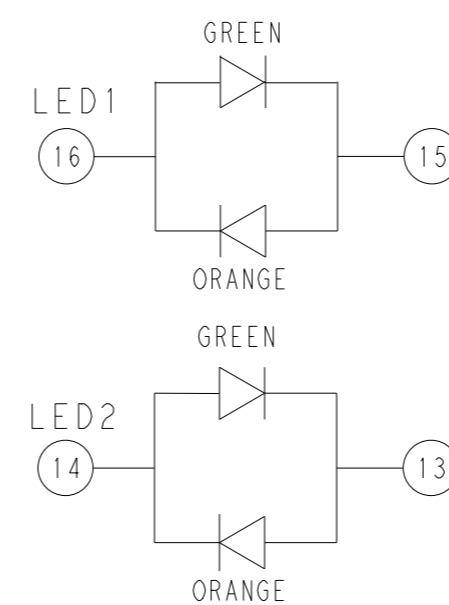
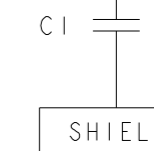
THROUGH CIRCUIT PORT A



7G41 GIGABIT CIRCUIT PORT B TO D



C1 = 1000pF, 3KV DECOUPLING CAPACITOR
R1-R4 = 75 OHMS, 1/16 W, 5% RESISTORS



THIS DRAWING IS A CONTROLLED DOCUMENT.		DWN: JAMISON CHEN 21MAR2012	<p>trp CONNECTOR a bel group</p> <p>DONGGUAN CHINA</p>
DIMENSIONS: mm		CHK: QUENTIN LIU 21MAR2012	
TOLERANCES UNLESS OTHERWISE SPECIFIED:		APVD: KEITH ZHU 21MAR2012	
0 PLC ±- 1 PLC ±0.25 2 PLC ±0.25 3 PLC ±0.25 4 PLC ±- ANGLES ±- APPLICATION SPEC		MODEL NAME: MAGJACK GANG NON-POE	
PRODUCT SPEC: 108-104004		DESC: IX4 7G41 GIGABIT TAB UP LOW PROFILE W/ LED	RESTRICTED TO: -
		SIZE: A2	CAGE CODE: C-1840637
		CUSTOMER DRAWING	SCALE: 2:1 SHEET 2 OF 2 REV C