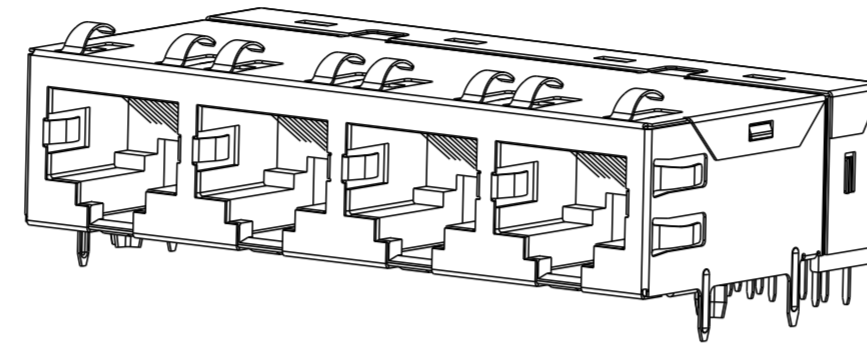
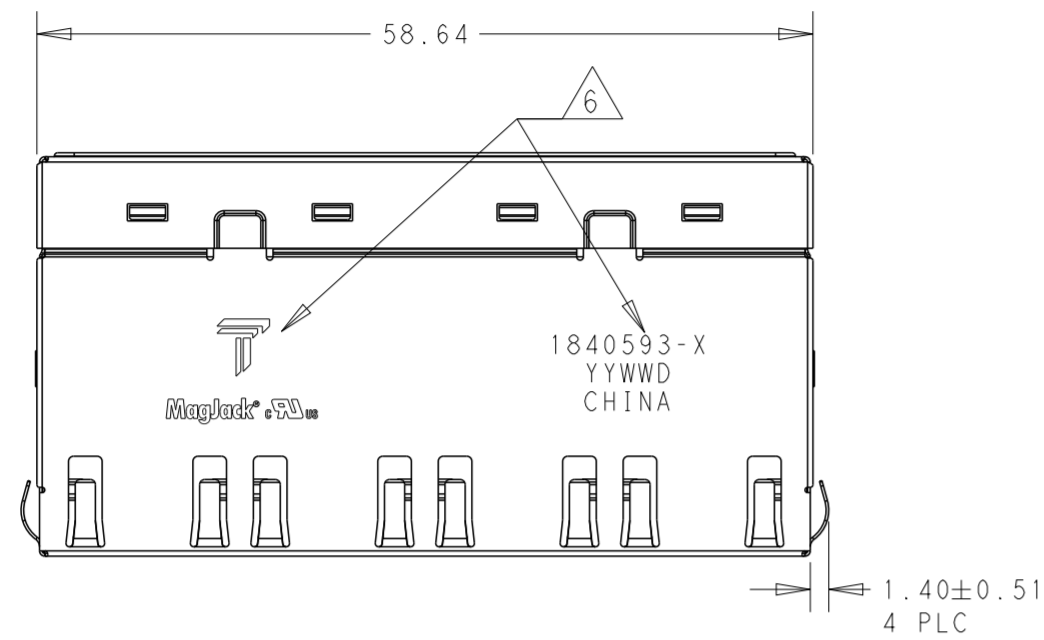


THIS DRAWING AND THE SUBJECT MATTER SHOWN THEREON ARE CONFIDENTIAL AND THE PROPERTY OF BEL/STEWART/TRP CONNECTOR AND SHALL NOT BE REPRODUCED, COPIED, OR USED IN ANY MANNER WITHOUT THE WRITTEN CONSENT OF TRP CONNECTOR.

PRODUCT MAY BE PROTECTED BY ONE OR MORE OF THE FOLLOWING US PATENTS:  
 5736910 5939955 6425781 6428361 6554638 6840817 7123117  
 7429195 7717749 7808751 6217391 6149050 7924130

REVISIONS				
P	LTR	DESCRIPTION	DATE	APVD
5		EC-1411035 COMPANY LOGO CHANGE	20JAN2015	RL TY



- MATERIAL  
 HOUSING: THERMOPLASTIC BLACK, FLAMMABILITY RATING UL 94V-0  
 SHIELD: 0.20mm THICK, BRASS  
 PREPLATED WITH MIN 0.76um SEMI-BRIGHT NICKEL  
 POST-DIPPED WITH 2.54um MIN SAC SOLDER AT GROUND PINS.  
 CONTACT TAILS: PHOSPHOR BRONZE, 0.46mmX0.30mm  
 WITH 1.27um MIN OVERALL NICKEL UNDERPLATE AND  
 SELECTIVE 1.27um MIN GOLD PLATING AT MATING INTERFACE  
 SOLDER TAIL: 0.25mm THICK, PHOSPHOR BRONZE, 1.27um MIN OVERALL NICKEL  
 UNDERPLATE, 3um MIN TIN PLATE.

2. RJ45 CAVITY CONFORMS TO FCC RULES AND REGULATIONS PART 68, SUB-PART F.

- MAGNETICS  
 -APPLICATION: 10/100/1000 BASE-T  
 -IMPEDANCE: 100 OHMS  
 -TURNS RATIO (CHIP:CABLE): 1:1 ALL FOUR PAIRS  
 -OPEN CIRCUIT INDUCTANCE (OCL): 350uH MIN @100kHz, 0.1VRMS,  
 8mADC BIAS FROM 0°C TO 70°C, ALL FOUR PAIRS  
 -ALL FOUR PAIRS BI-DIRECTIONAL  
 -PERFORMANCE @ 25°C:  
 INSERTION LOSS (IL): 1.1dB MAX FROM 0.5MHz TO 100MHz  
 RETURN LOSS (RL): 18dB MIN FROM 0.5MHz TO 40MHz  
 12-20LOG(f/80)dB MIN FROM 40.1MHz TO 100MHz  
 CROSSTALK ATTENUATION: 35dB MIN FROM 0.5MHz TO 40MHz  
 33-20LOG(f/50)dB MIN FROM 40.1MHz TO 100MHz  
 COMMON MODE REJECTION RATIO (CMRR): 30dB MIN FROM 0.5MHz TO 100MHz  
 -ISOLATION VOLTAGE: 2250VDC (MAX) FOR 60 SECONDS WITH A RISE TIME OF  
 500V/SEC AND WITH ALL PORTS CONNECTED.

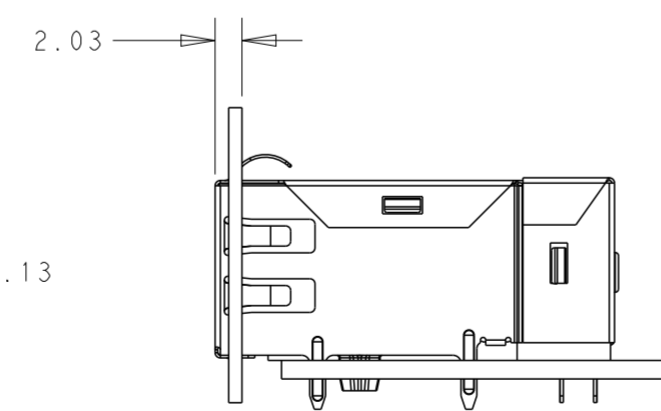
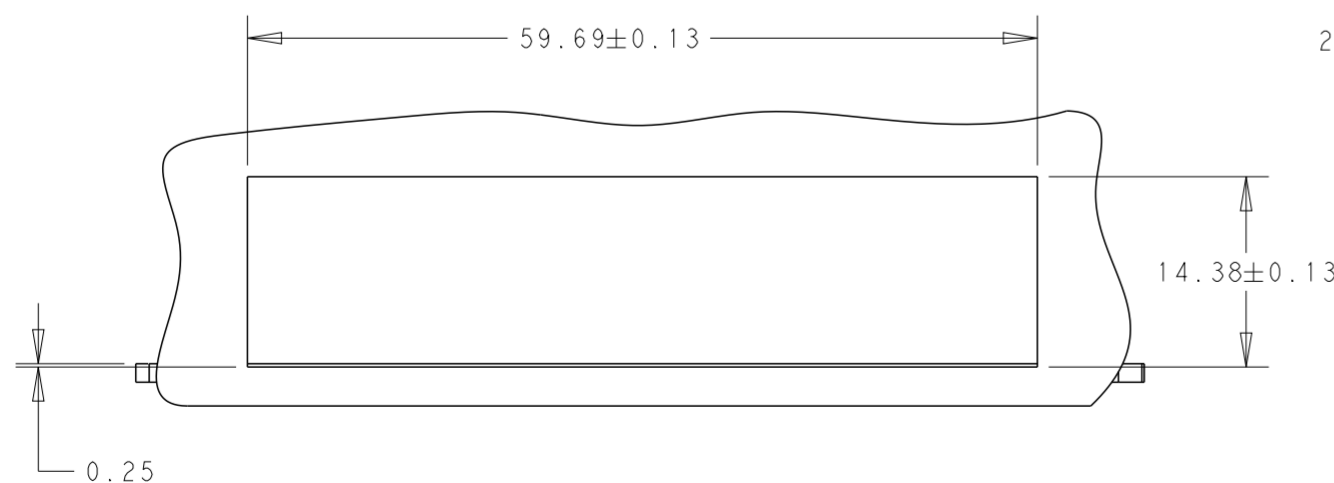
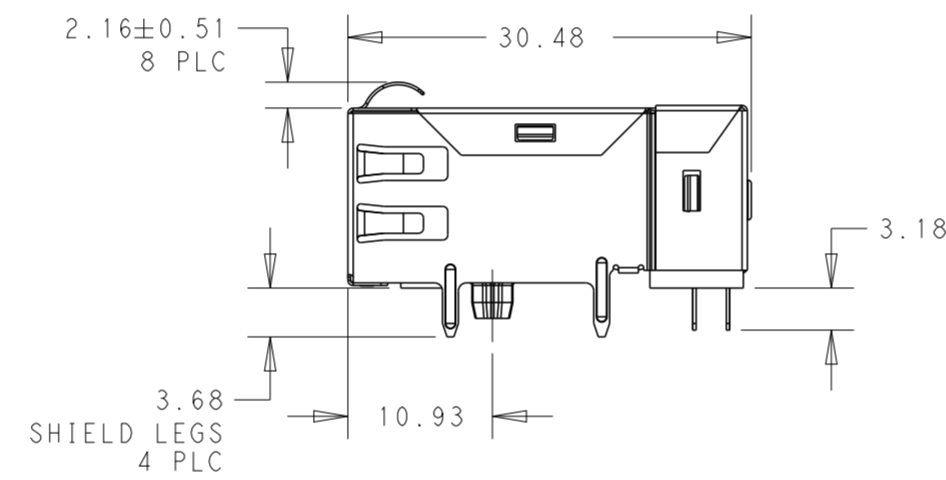
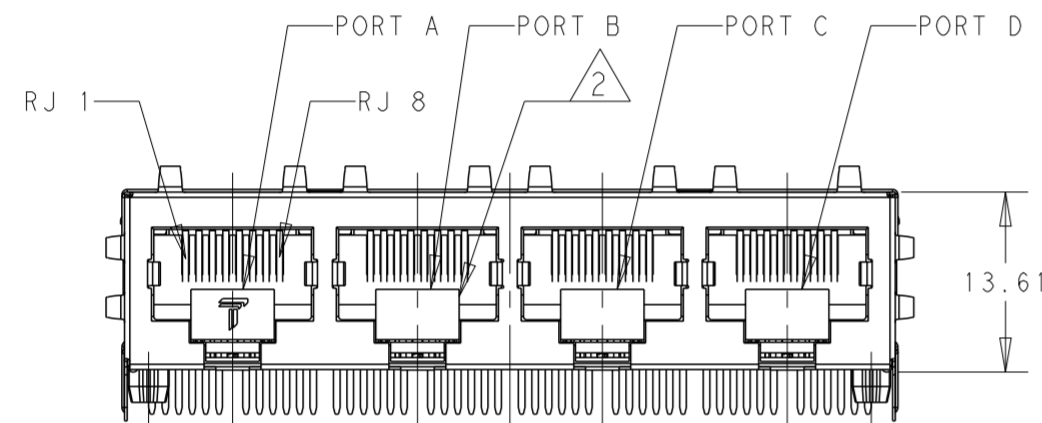
4. OPERATING TEMPERATURE: 0°C TO 70°C

5. THE MAGNETIC CIRCUITS ARE SYMMETRICAL TO SUPPORT AUTO-MDIX OPERATION.

6. TRP CONNECTOR LOGO, PART NUMBER, DATE CODE, PLACE OF ORIGIN TO BE MARKED IN APPROXIMATE LOCATION AS SHOWN.  
 DATE CODE: YYWW "YY" IS YEAR, "WW" IS WORK WEEK, "D" IS DAY OF WEEK, WITH SUNDAY=1.


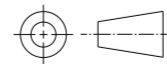
7. THE PART IS RECOMMENDED FOR WAVE SOLDERING PROCESS, PREHEAT TEMPERATURE IS 120°C TO 160°C, 120 SECONDS TO 180 SECONDS, PEAK WAVE SOLDERING TEMPERATURE IS 260°C MAX, 10 SECONDS MAX.

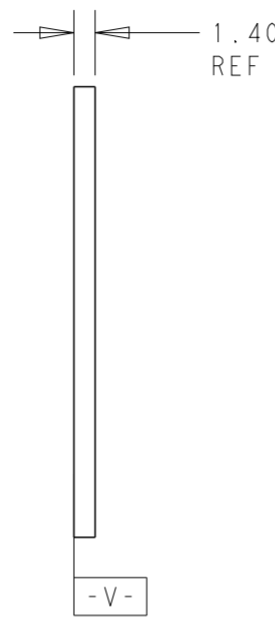
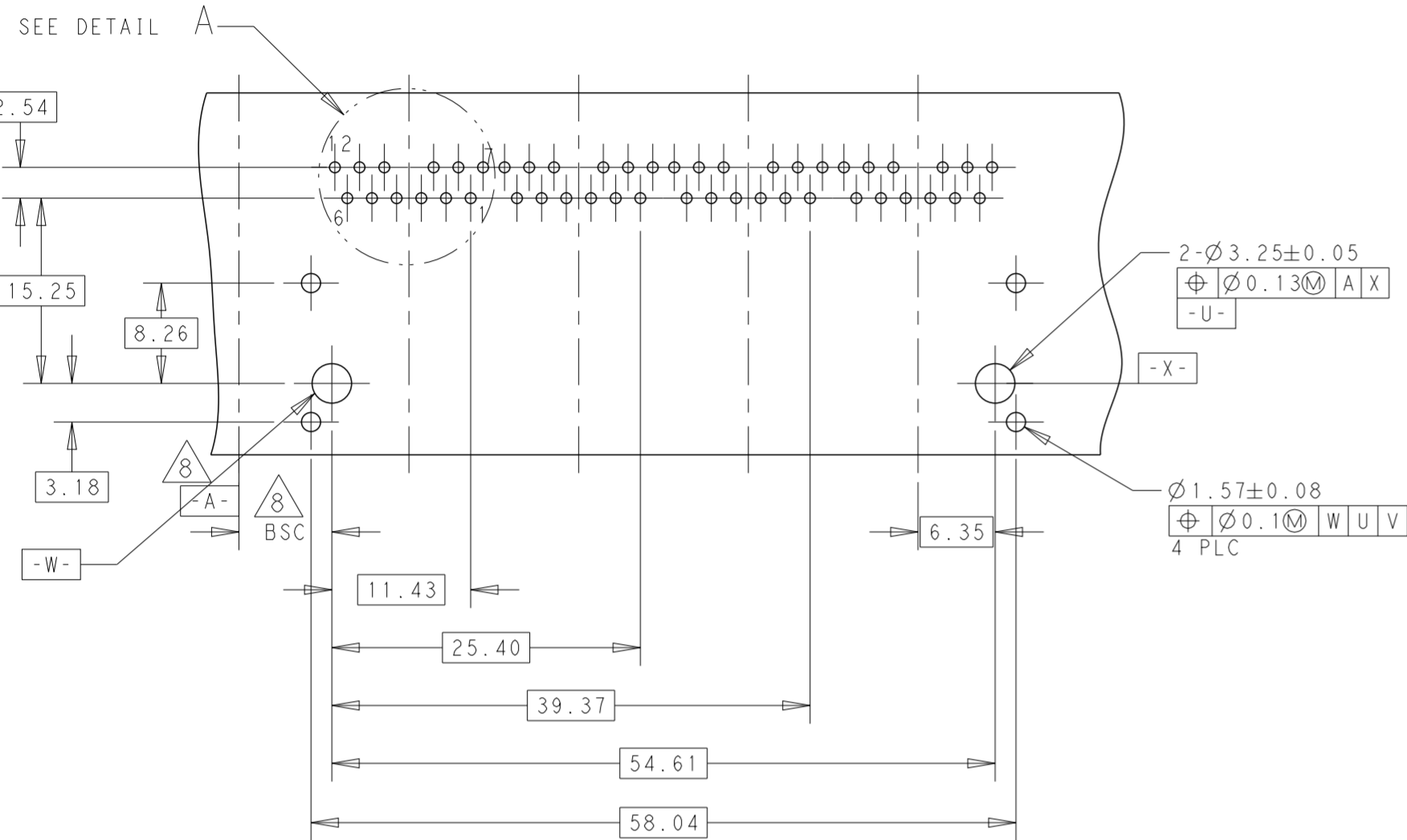
8. DATUM AND BASIC DIMENSION ESTABLISHED BY CUSTOMER.



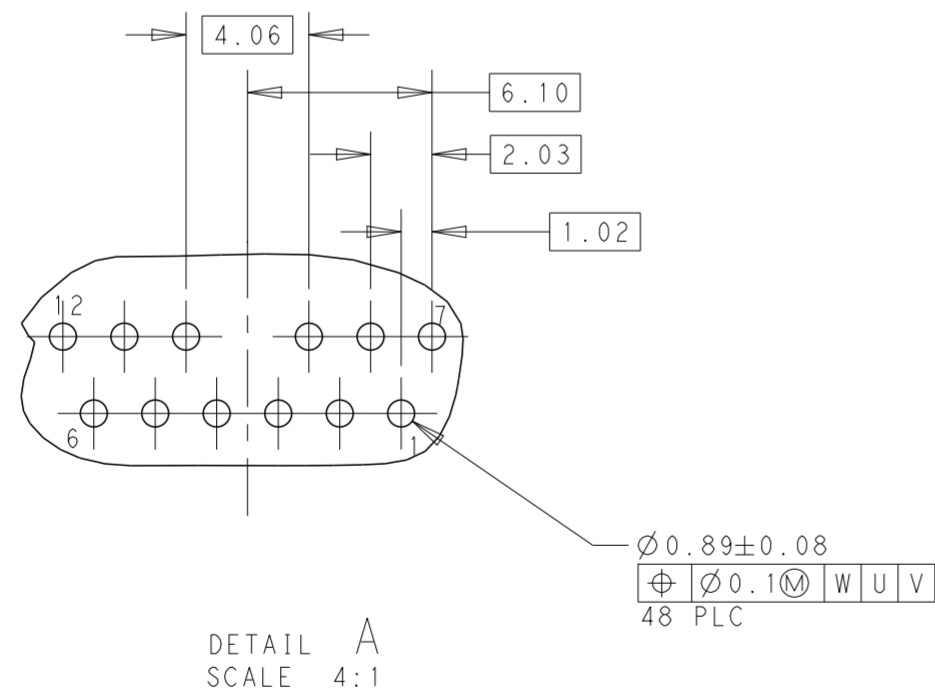
SCALE 7:4  
 CONNECTOR ASSEMBLED  
 TO PANEL AND PCB

1840593-1  
 PART NUMBER

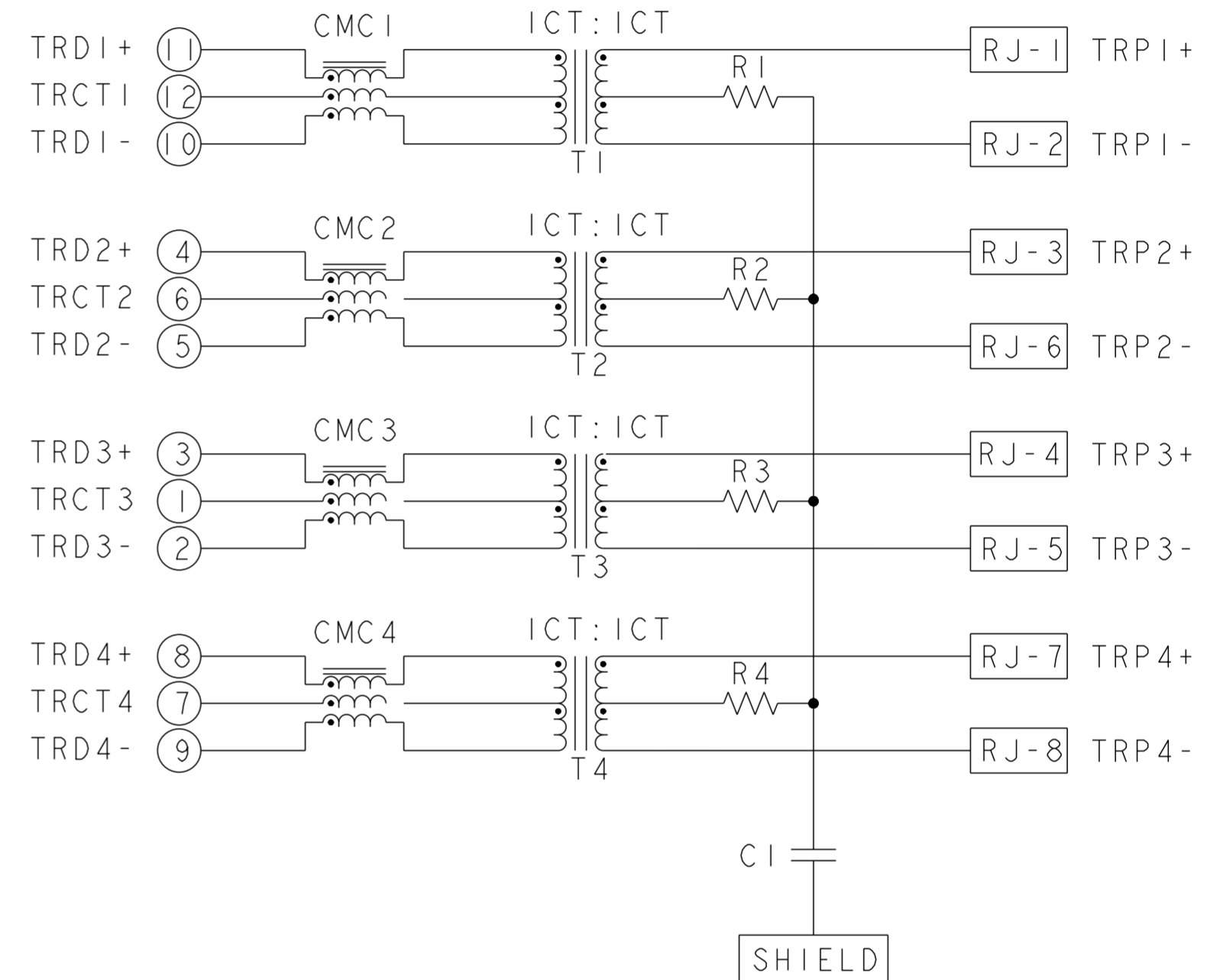
THIS DRAWING IS A CONTROLLED DOCUMENT.		DWN QUENTIN LIU 28APR2010	 <b>trp</b> CONNECTOR <small>a bel group</small>	DONGGUAN CHINA
DIMENSIONS: mm		CHK YI LIU 28APR2010		
		APVD LIJUN RAO 28APR2010		
TOLERANCES UNLESS OTHERWISE SPECIFIED:		MODEL NAME MAGJACK GANG NON-POE	DESC 1X4 4G4I GIGABIT TAB DOWN LOW PROFILE W/O LED	RESTRICTED TO
PRODUCT SPEC 108-104004		APPLICATION SPEC -	SIZE A2	CAGE CODE -
			DRAWING NO C-1840593	
CUSTOMER DRAWING			SCALE NTS	SHEET 1 OF 2
				REV 5




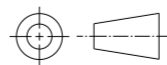
SUGGESTED PCB FOOTPRINT COMPONENT SIDE



### 4G41 GIGABIT CIRCUIT



C1=1000pF, 2kV, CAPACITOR  
R1~R4=75 OHMS, 1/16W, ±5%, RESISTORS

THIS DRAWING IS A CONTROLLED DOCUMENT.		DWN QUENTIN LIU 28APR2010	 <b>trp</b> CONNECTOR a bel group DONGGUAN CHINA
DIMENSIONS: mm		CHK YI LIU 28APR2010	
		APVD LIJUN RAO 28APR2010	
TOLERANCES UNLESS OTHERWISE SPECIFIED: 0 PLC ± 1 PLC ±0.25 2 PLC ±0.25 3 PLC ±0.25 4 PLC ± ANGLES ±		MODEL NAME MAGJACK GANG NON-POE	DESC 1X4 4G41 GIGABIT TAB DOWN LOW PROFILE W/O LED
PRODUCT SPEC 108-104004		APPLICATION SPEC -	SIZE A2
		CUSTOMER DRAWING	RESTRICTED TO -
		SCALE NTS	DRAWING NO C-1840593
		SHEET 2	OF 2
		REV 5	