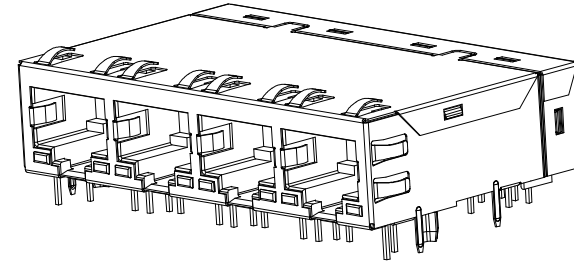
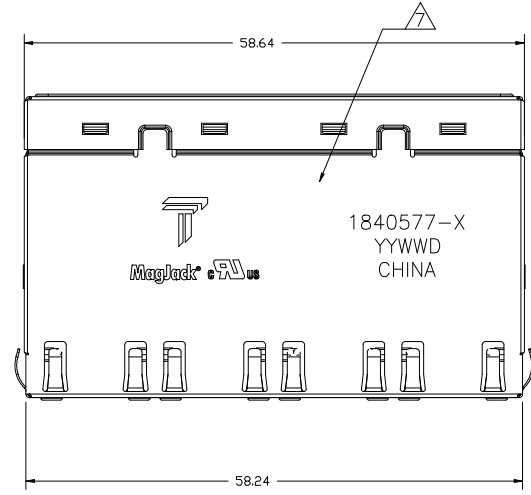


THIS DRAWING AND THE SUBJECT MATTER SHOWN THEREON ARE CONFIDENTIAL AND THE PROPERTY OF BEL/STEWART/TRP CONNECTOR AND SHALL NOT BE REPRODUCED, COPIED, OR USED IN ANY MANNER WITHOUT THE WRITTEN CONSENT OF TRP CONNECTOR.

PRODUCT MAY BE PROTECTED BY ONE OR MORE OF THE FOLLOWING US PATENTS:
 5736910 5939955 6425781 6428361 6554638 6840817 7123117
 7429195 7717749 7808751 6217391 6149050 7924130

REVISIONS				
P	LTR	DESCRIPTION	DATE	DRW APPD
4		EC-1411035 COMPANY LOGO CHANGE	08JAN2015	QL TY



SCALE 2:1

- MATERIAL**
 HOUSING: THERMOPLASTIC BLACK, FLAMMABILITY RATING UL 94V-0
 SHIELD: 0.20mm THICK, BRASS
 PREPLATED WITH MIN 0.76um SEMI-BRIGHT NICKEL
 POST-DIPPED WITH 2.54um MIN SAC SOLDER AT GROUND PINS.
 CONTACT TAILS: PHOSPHOR BRONZE, 0.46mmX0.30mm
 WITH 1.27um MIN OVERALL NICKEL UNDERPLATE AND
 SELECTIVE 1.27um MIN GOLD PLATING AT MATING INTERFACE
 SOLDER TAIL: COPPER CLADDED STEEL, 0.50mm SQUARE
 PLATED WITH 2.54um MIN MATTE TIN
 LIGHT EMITTING DIODE(LED) - DIFFUSED EPOXY LENS, 0.50mm x 0.50mm CARBON STEEL
 WIREFRAME LEADS PREPLATED WITH 2.0um SILVER OVER 1.0um NICKEL
 UNDERPLATE OVER 1.0um COPPER UNDERPLATE; POST-PLATED WITH 2.54um
 MIN MATTE TIN AND/OR SAC SOLDER DIP OR PURE TIN SOLDER DIP.

2 RJ45 CAVITY CONFORMS TO FCC RULES AND REGULATIONS PART 68, SUB-PART F.

- MAGNETICS**
 -APPLICATION: 10/100/1000 BASE-T, PoE PLUS
 -IMPEDANCE: 100 OHMS
 -TURNS RATIO (CHIP:CABLE): 1:1 ALL FOUR PAIRS
 -OPEN CIRCUIT INDUCTANCE (OCL): 350uH MIN @100kHz, 0.1VRMS,
 20mADC BIAS FROM 0°C TO 70°C, ACROSS RJ4-RJ5 & RJ7-RJ8
 8mADC BIAS FROM 0°C TO 70°C, ACROSS RJ1-RJ2 & RJ3-RJ6
 -ALL FOUR PAIRS BI-DIRECTIONAL
 -POE CURRENT: 600mADC MAX
 -PERFORMANCE @ 25°C:
 INSERTION LOSS (IL): 1.1dB MAX FROM 0.5MHz TO 100MHz
 RETURN LOSS (RL): 18dB MIN FROM 0.5MHz TO 40MHz
 12-20LOG(f/80)dB MIN FROM 40.1MHz TO 100MHz
 CROSSTALK ATTENUATION: 35dB MIN FROM 0.5MHz TO 40MHz
 33-20LOG(f/50)dB MIN FROM 40.1MHz TO 100MHz
 COMMON MODE REJECTION RATIO (CMRR): 30dB MIN FROM 0.5MHz TO 100MHz
 -ISOLATION VOLTAGE: 1500VAC (MAX) AT 60Hz FOR 60 SECS WITH ALL PORTS CONNECTED.

4. OPERATING TEMPERATURE: 0°C TO 70°C

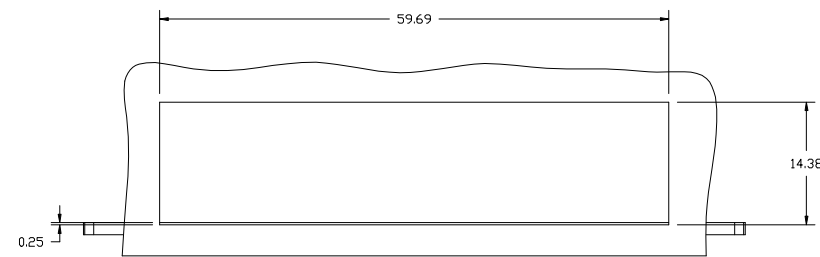
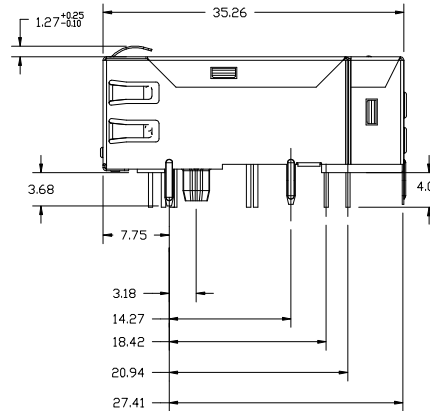
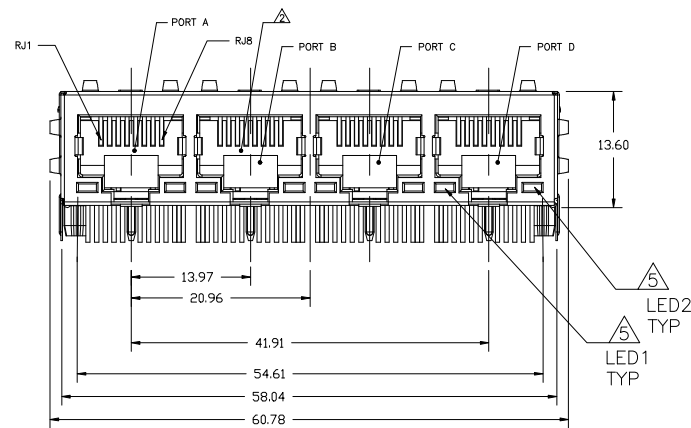
- LEDs ARE DRIVEN WITH CONSTANT CURRENT AT APPROX 20 mA**
 LED COLOR: DOMINANT WAVELENGTH (λD): GREEN 568 nm TYP @ IF=20 mA
 FORWARD VOLTAGE (VF): GREEN 2.2V TYP @ IF=20 mA
 DOMINANT WAVELENGTH (λD): YELLOW 588 nm TYP @ IF=20 mA
 FORWARD VOLTAGE (VF): YELLOW 2.1V TYP @ IF=20 mA

6 THE MAGNETIC CIRCUIT IS SYMMETRICAL TO SUPPORT AUTO-MDIX OPERATION.

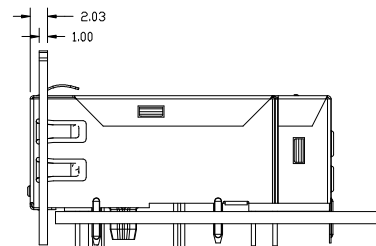
7 TRP CONNECTOR LOGO, PART NUMBER, DATE CODE, PLACE OF ORIGIN TO BE MARKED IN APPROXIMATE LOCATION AS SHOWN.

8 THE PART IS RECOMMENDED FOR WAVE SOLDERING PROCESS, PREHEAT TEMPERATURE IS 120°C TO 160°C, 120 SECONDS TO 180 SECONDS, PEAK WAVE SOLDERING TEMPERATURE IS 260°C MAX, 10 SECONDS MAX.

9 THE PART HAS NOT COMPLETED QUALIFICATION TESTING.



SUGGESTED PANEL CUTOUT
SCALE 2:1

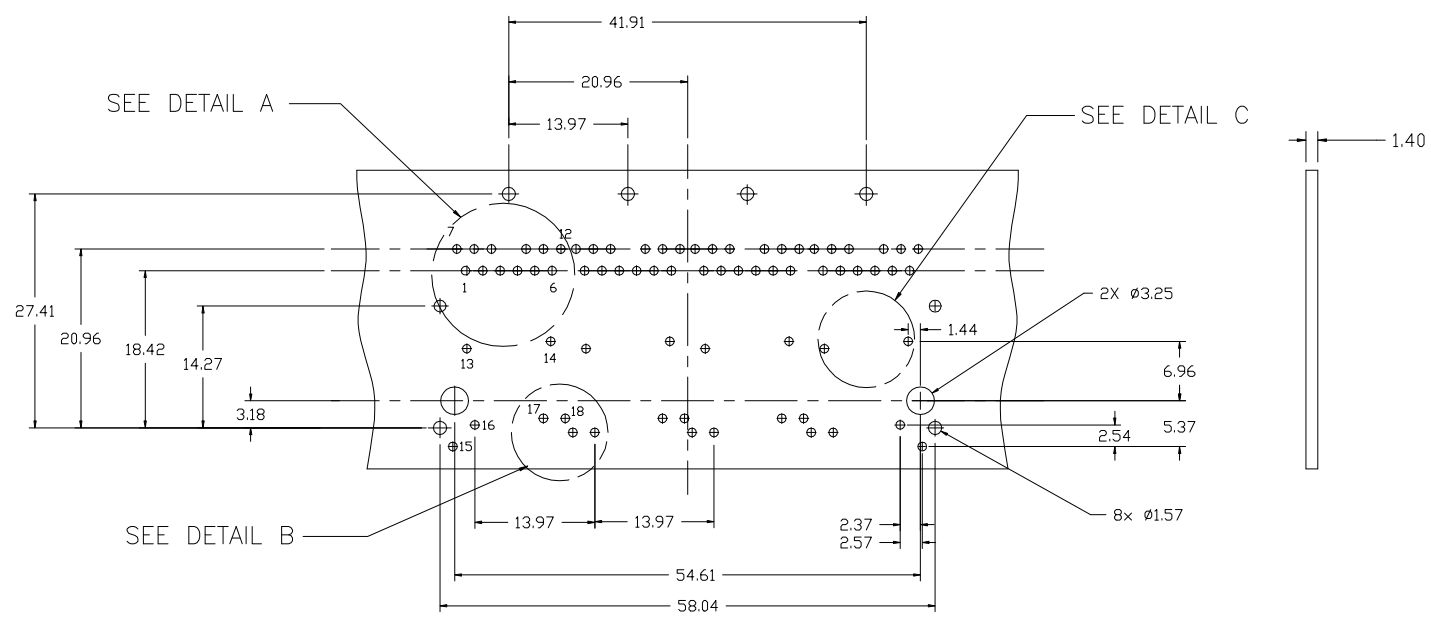


CONNECTOR ASSEMBLED
TO PANEL AND PCB
SCALE 2:1

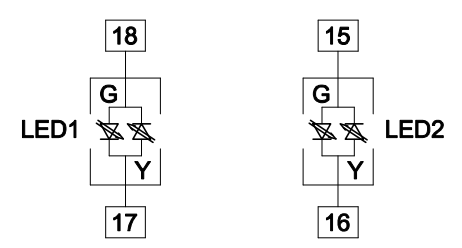
THIS PRINT IS
PRELIMINARY
 UNQUALIFIED PRODUCT
 CONTACT PRODUCT ENGINEERING
 BEFORE USING THIS PRINT

GREEN/YELLOW LED2	GREEN/YELLOW LED1	1840577-6 PART NUMBER
----------------------	----------------------	--------------------------

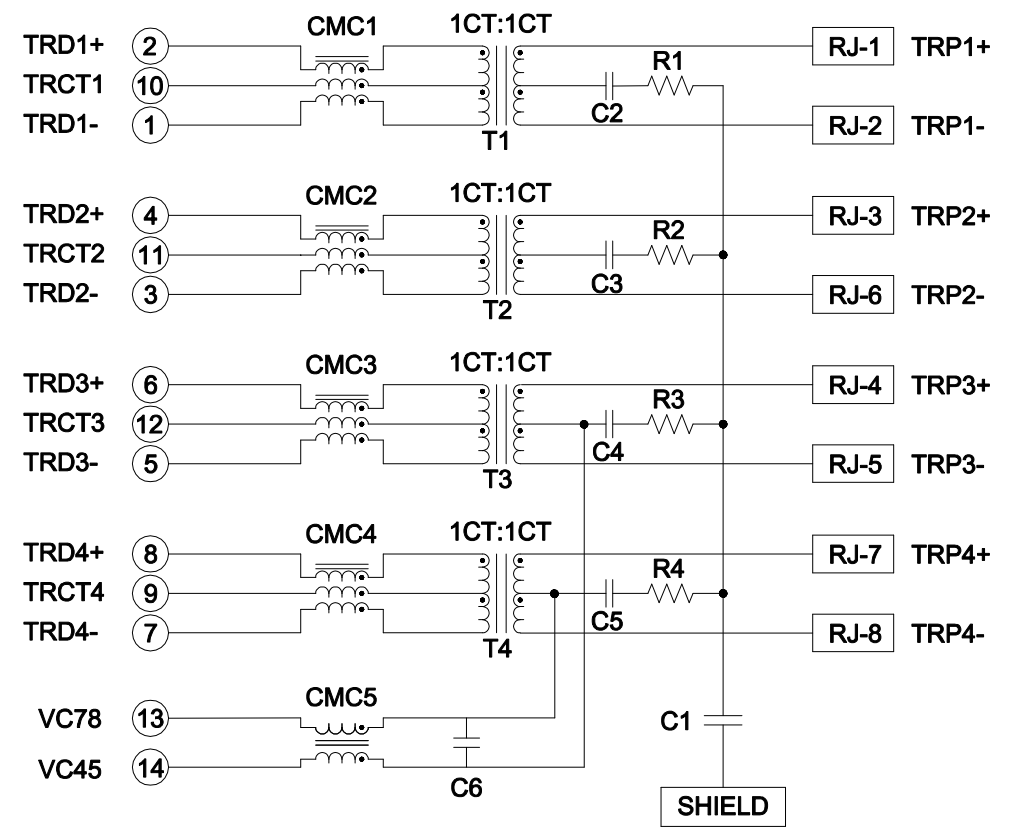
THIS DRAWING IS A CONTROLLED DOCUMENT.		DRN: YKIN LEE 19NOV09	TRP CONNECTOR a bel group DONGGUAN CHINA
DIMENSIONS: MM		CHK: QUENTIN LIU 19NOV09	
TOLERANCES UNLESS OTHERWISE SPECIFIED:		APPR: LUJUN RAO 19NOV09	MODEL NAME
0 PLC ± 0.25 1 PLC ± 0.25 2 PLC ± 0.25 3 PLC ± 0.25 4 PLC ± 0.25 ANGLES ± 1°		DESC: 1X4 BHG61 GIGABIT PoE+ TAB DOWN LOW PROFILE W/O LED	SIZE: A1
PRODUCT SPEC	APPLICATION SPEC	MAGJACK GANG	RESTRICTED TO
		POE PLUS	©=1840577
		CUSTOMER DRAWING	SCALE: NTS SHEET 1 OF 2 REV 4



SUGGESTED PCB FOOTPRINT
COMPONENT SIDE
SCALE 2:1

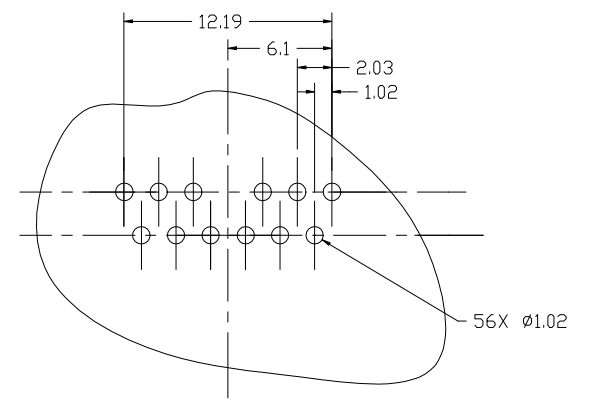


8HG61 Gigabit PoE Circuit

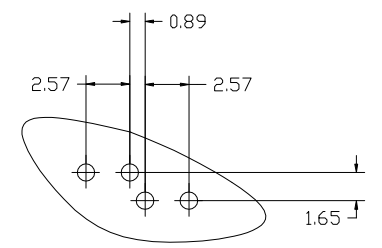


C1=1000PF,2KV,±10%,X7R DECOUPLING CAPACITOR
R1~R4=750hm,1\16W,±5%,RESISTORS
C2 - C5 = 22nF, 100V,±10% CAPACITORS
C6 = 0.1uF, 100V,±10% CAPACITOR

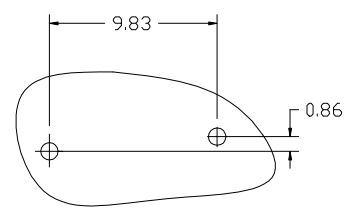
THIS PRINT IS
PRELIMINARY
UNQUALIFIED PRODUCT
CONTACT PRODUCT ENGINEERING
BEFORE USING THIS PRINT



DETAIL A
SCALE 2:1



DETAIL B
SCALE 2:1



DETAIL C
SCALE 2:1

THIS DRAWING IS A CONTROLLED DOCUMENT.		DRN: YKIN LEE 19NOV09		DONGGUAN CHINA
DIMENSIONS: MM		CHK: QUENTIN LIU 19NOV09		DESC: 1X4 8HG61 GIGABIT PoE+ TAB DOWN LOW PROFILE W/O LED
TOLERANCES UNLESS OTHERWISE SPECIFIED: 0 PLC ± 0.25 1 PLC ± 0.25 2 PLC ± 0.25 3 PLC ± 0.25 4 PLC ± 0.25 ANGLES ± 1° APPLICATION SPEC: -		APPR: LUJUN RAO 19NOV09		SIZE: A1
PRODUCT SPEC: -		MAGJACK GANG	©=1840577	SCALE: NTS
		POE PLUS	CUSTOMER DRAWING	SHEET 2 OF 2 REV 4