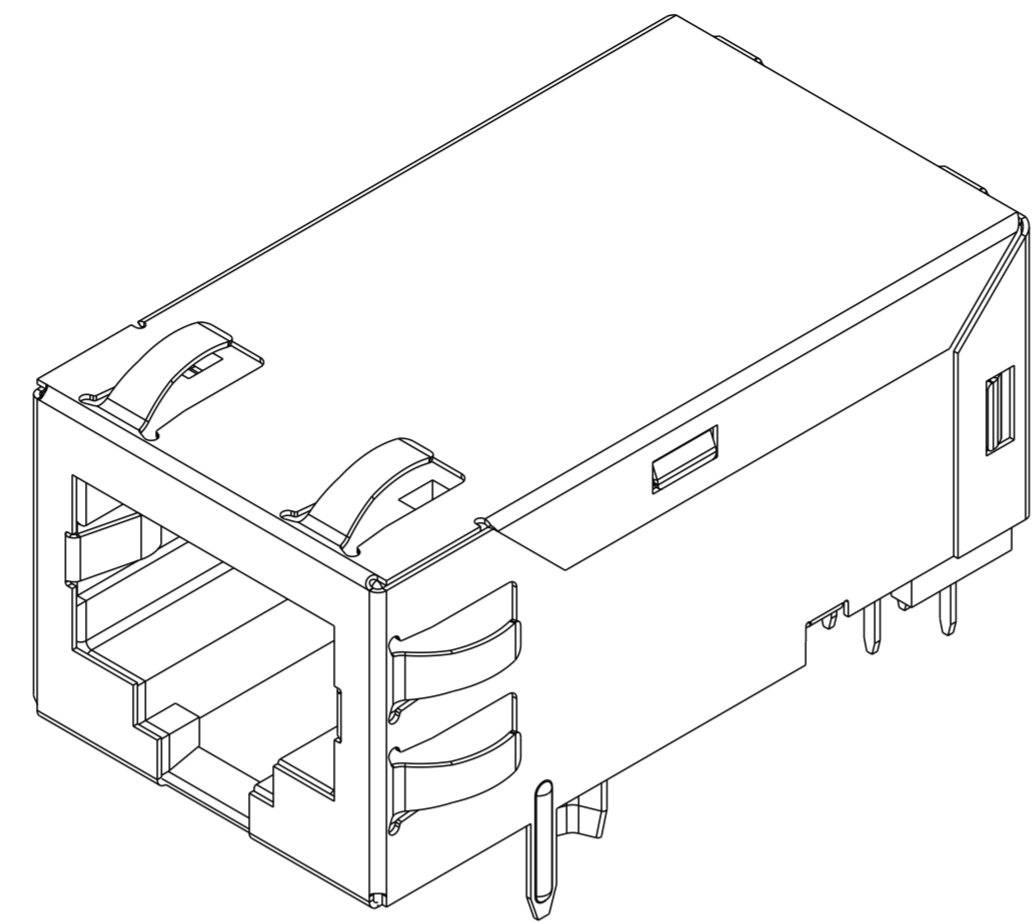
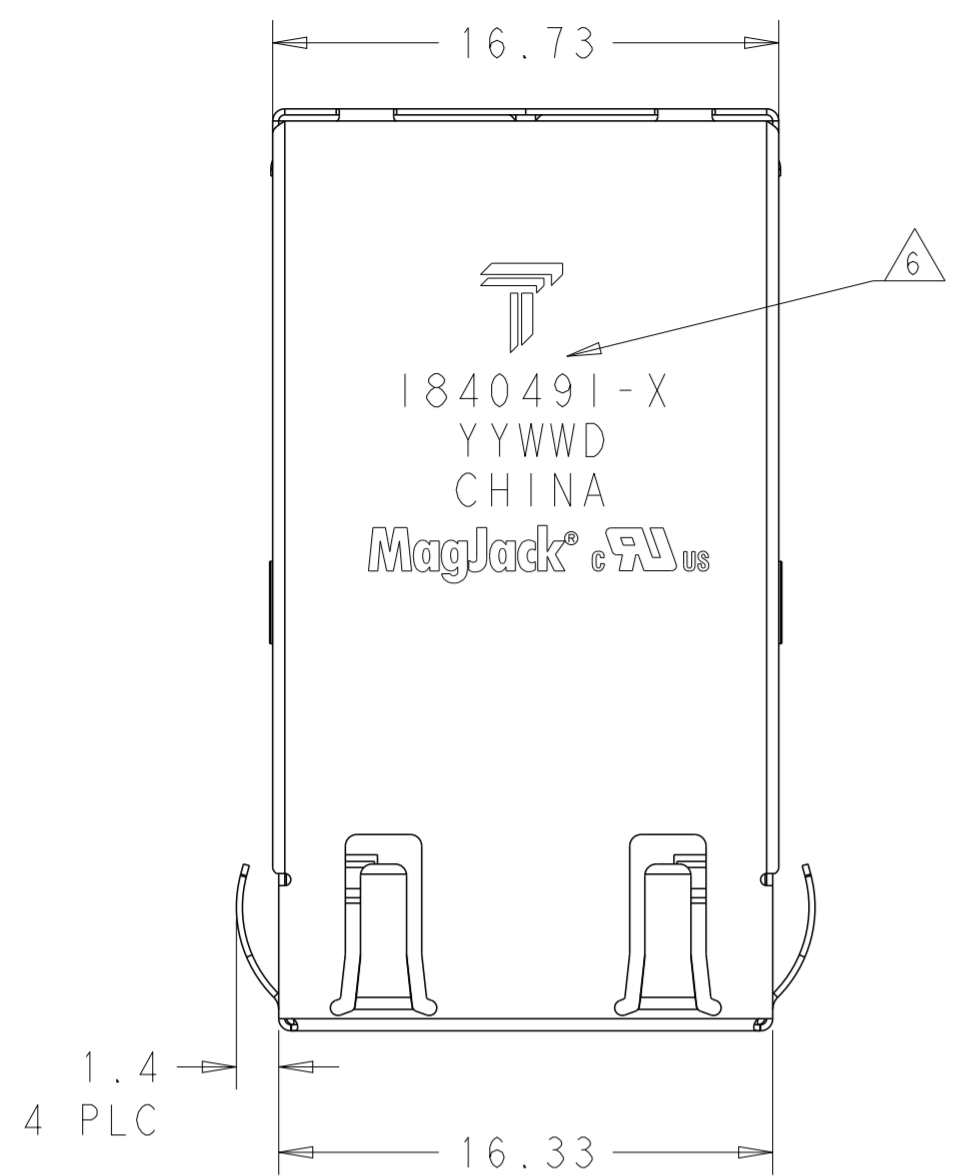


THIS DRAWING AND THE SUBJECT MATTER SHOWN THEREON ARE CONFIDENTIAL AND THE PROPERTY OF BEL/STEWART/TRP CONNECTOR AND SHALL NOT BE REPRODUCED, COPIED, OR USED IN ANY MANNER WITHOUT THE WRITTEN CONSENT OF TRP CONNECTOR.

PRODUCT MAY BE PROTECTED BY ONE OR MORE OF THE FOLLOWING US PATENTS:
 5736910 5939955 6425781 6428361 6554638 6840817 7123117
 7429195 7717749 7808751 6217391 6149050 7924130

REVISIONS				
P	LTR	DESCRIPTION	DATE	APVD
6		SEE LAST SHEET	07JAN2015	RL TY



1. MATERIALS
 HOUSING: THERMOPLASTIC, BLACK, FLAMMABILITY RATING UL 94V-0
 SHIELD: BRASS, PREPLATED WITH MIN 0.76um SEMI-BRIGHT NICKEL
 POST DIPPED WITH 2.54um MIN SAC SOLDER AT GROUND PINS.
 CONTACT: PHOSPHOR BRONZE,
 WITH 1.27um MIN OVERALL NICKEL UNDERPLATE AND
 SELECTIVE 1.27um MIN GOLD PLATING AT MATING INTERFACE
 SOLDER TAIL: PHOSPHOR BRONZE, 1.27um MIN OVERALL NICKEL
 UNDERPLATE, 3um MIN TIN PLATE

2. MAGNETICS
 -APPLICATION: 10/100/1000 BASE-T
 -IMPEDANCE: 100 OHMS
 -TURNS RATIO (CHIP:CABLE): 1:1 ALL FOUR PAIRS
 -OPEN CIRCUIT INDUCTANCE (OCL): 350uH MIN @100kHz, 0.1VRMS,
 8mA DC BIAS FROM 0°C TO 70°C, ALL FOUR PAIRS
 -ALL FOUR PAIRS BI-DIRECTIONAL
 -PERFORMANCE @ 25°C:
 INSERTION LOSS (IL): 1.1dB MAX FROM 0.5MHz TO 100MHz
 RETURN LOSS (RL): 18dB MIN FROM 0.5MHz TO 40MHz
 12-20LOG(f/80)dB MIN FROM 40.1MHz TO 100MHz
 CROSSTALK ATTENUATION: 35dB MIN FROM 0.5MHz TO 40MHz
 33-20LOG(f/50)dB MIN FROM 40.1MHz TO 100MHz
 COMMON MODE REJECTION RATIO (CMRR): 30dB MIN FROM 0.5MHz TO 100MHz
 -ISOLATION VOLTAGE: 2250VDC (MAX) FOR 60 SECONDS WITH A RISE TIME OF 500V/SEC

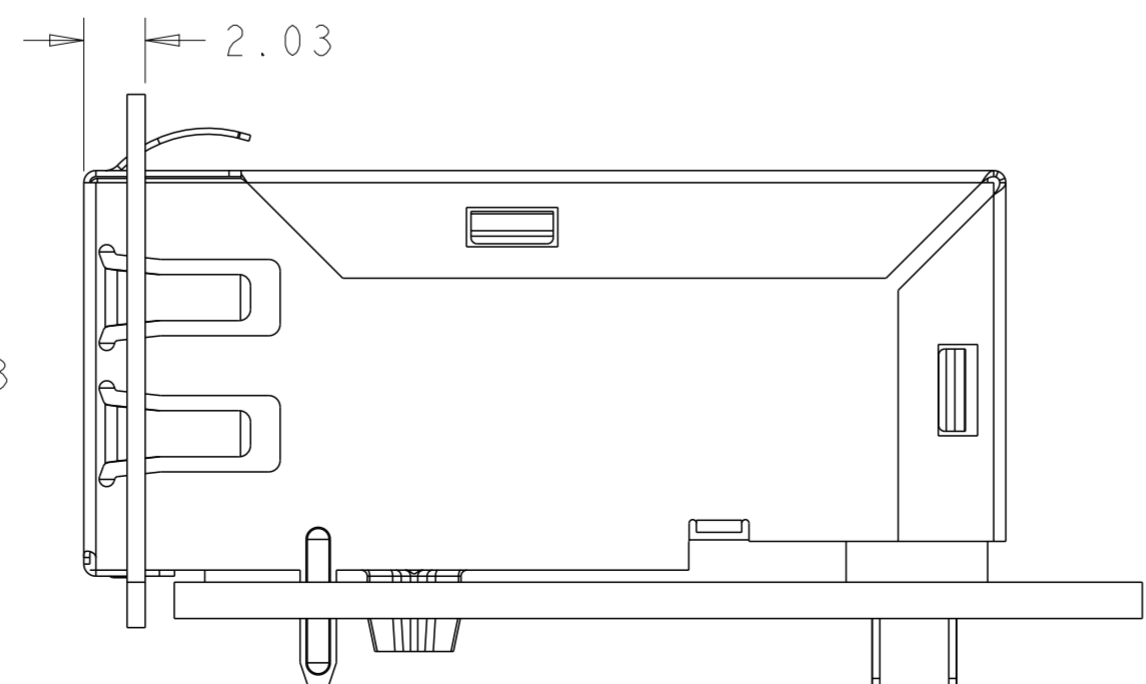
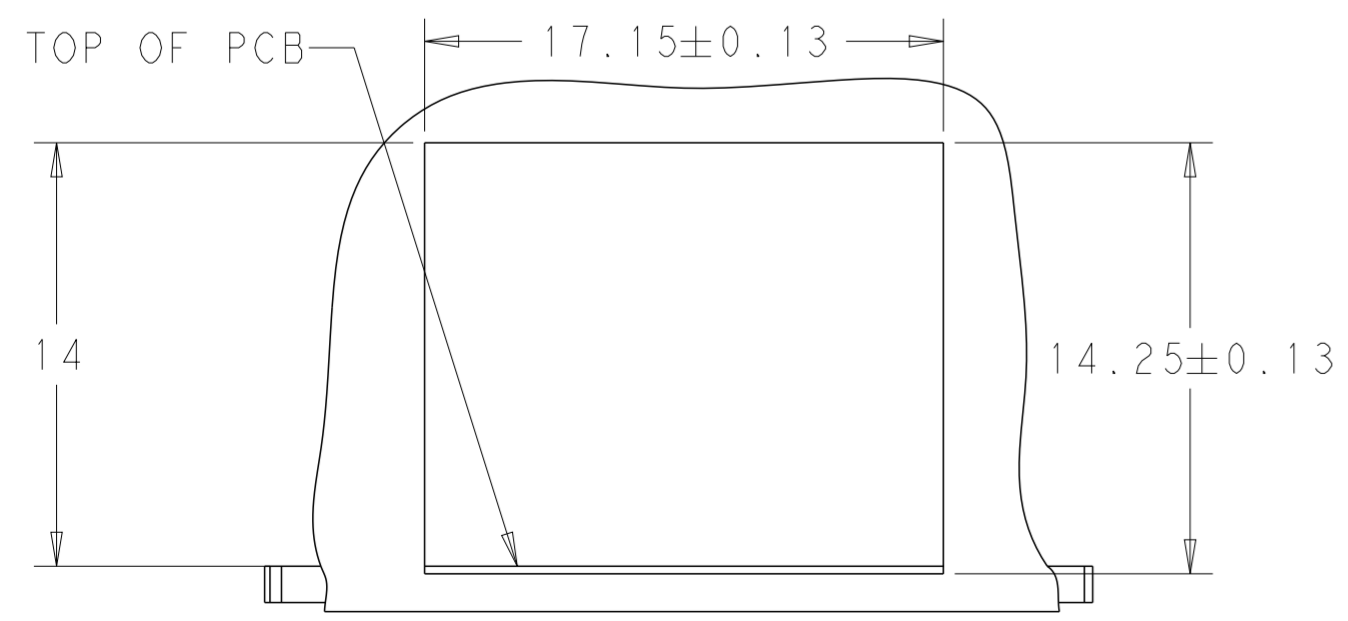
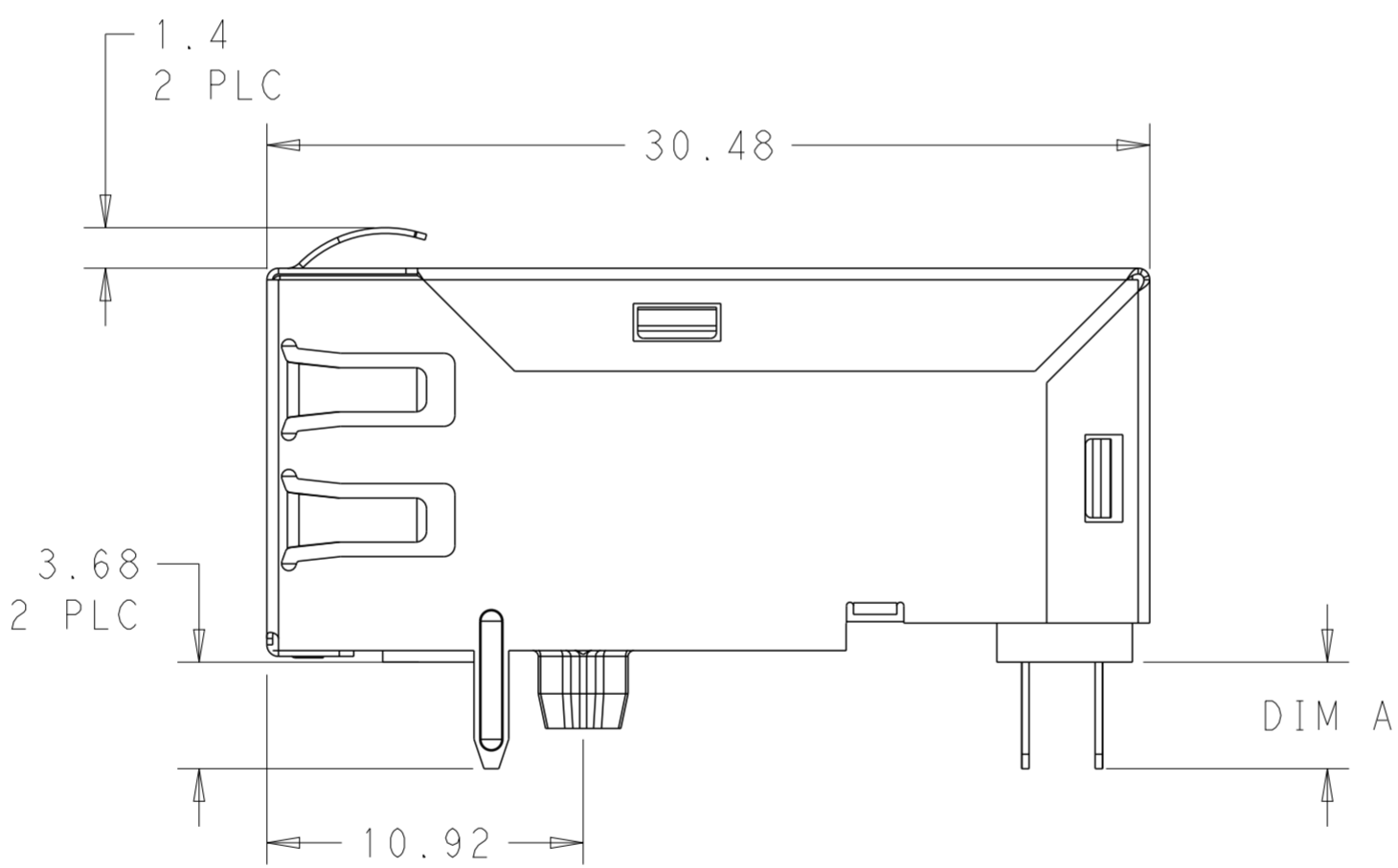
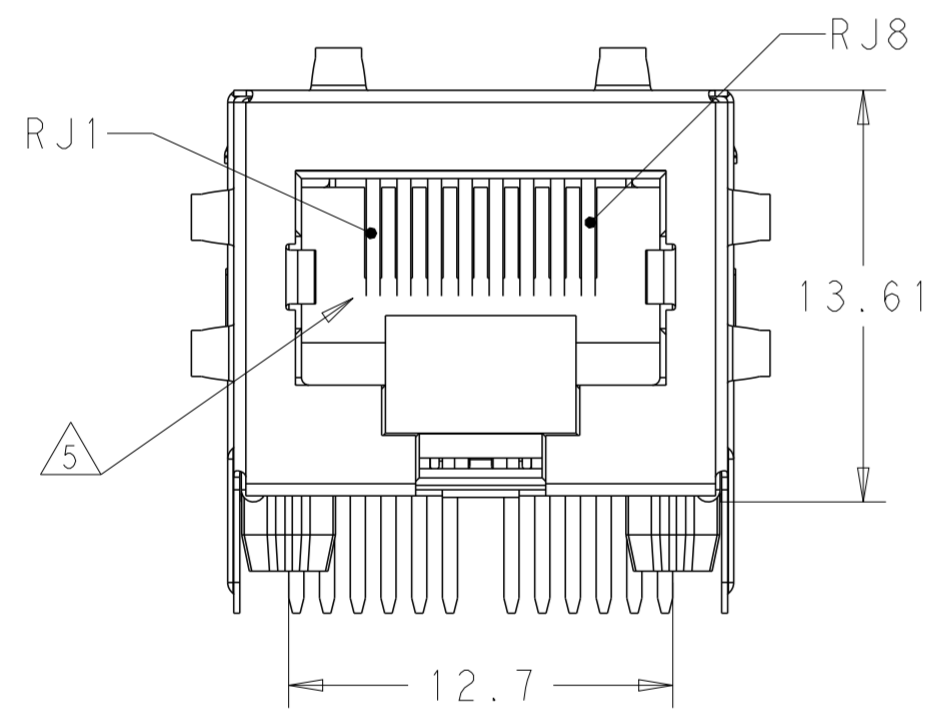
3. THE MAGNETIC CIRCUIT ON ALL FOUR CHANNELS IS SYMMETRICAL AND SUPPORTS AUTO-MDIX OPERATION.

4. OPERATING TEMPERATURE: 0°C ~ 70°C

5. RJ45 CAVITY CONFORMS TO FCC RULES AND REGULATION PART 68 SUBPART F.

6. TRP CONNECTOR LOGO, PART NUMBER, DATE CODE, COUNTRY OF ORIGIN, AGENCY APPROVAL MARKING IN APPROPRIATE LOCATION SHOWN.
 DATE CODE: YYWWD "YY" IS YEAR, "WW" IS WORK WEEK, "D" IS DAY OF WEEK, WITH SUNDAY=1.


7. THESE PARTS ARE RECOMMENDED FOR WAVE SOLDERING PROCESS, PEAK WAVE SOLDERING TEMPERATURE IS 260°C, 10sec MAX.



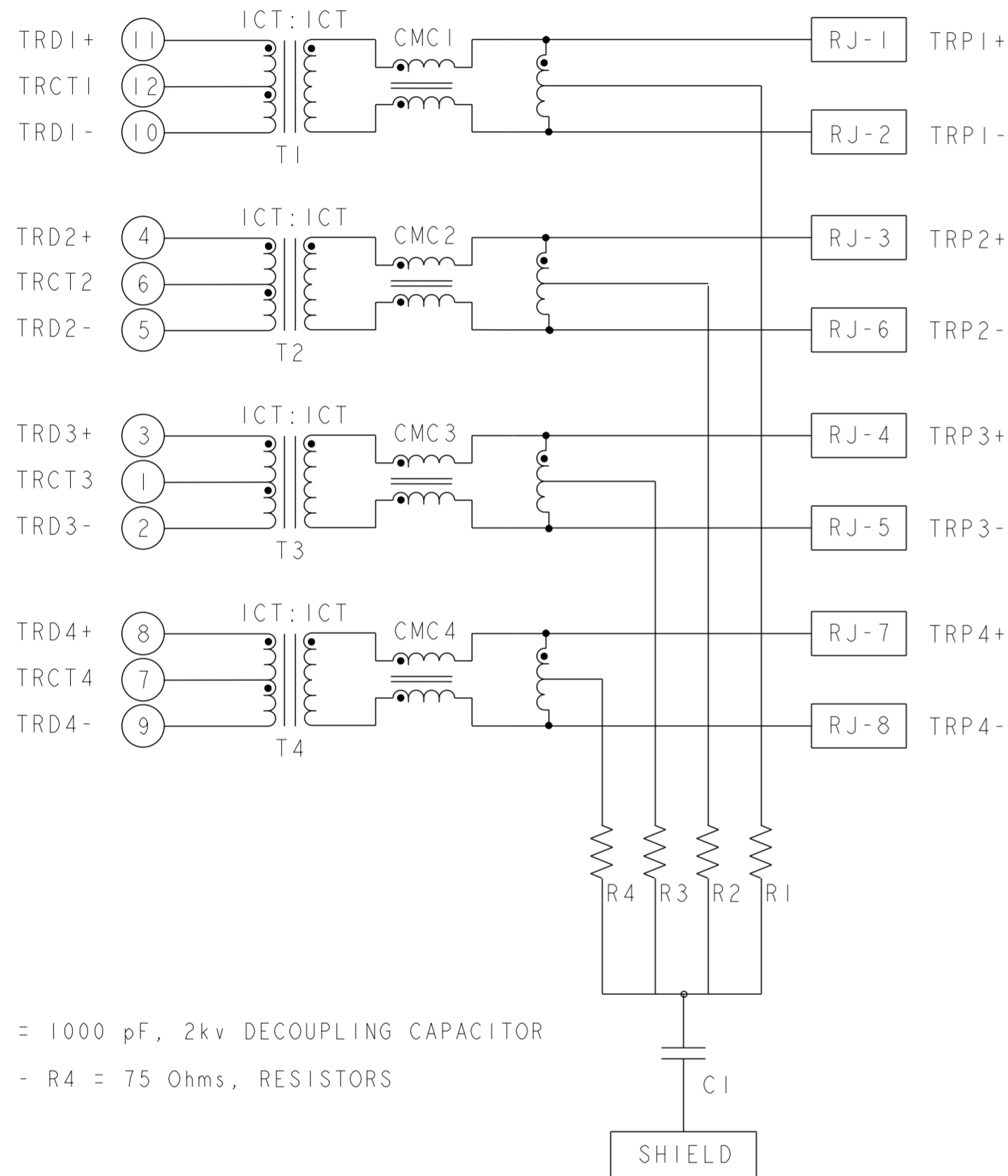
SUGGESTED PANEL CUTOUT VS CUSTOMER BOARD

CONNECTOR ASSEMBLED TO PANEL AND PCB

3.18	1840491-2
3.68	1840491-1
DIM A	PART NUMBER

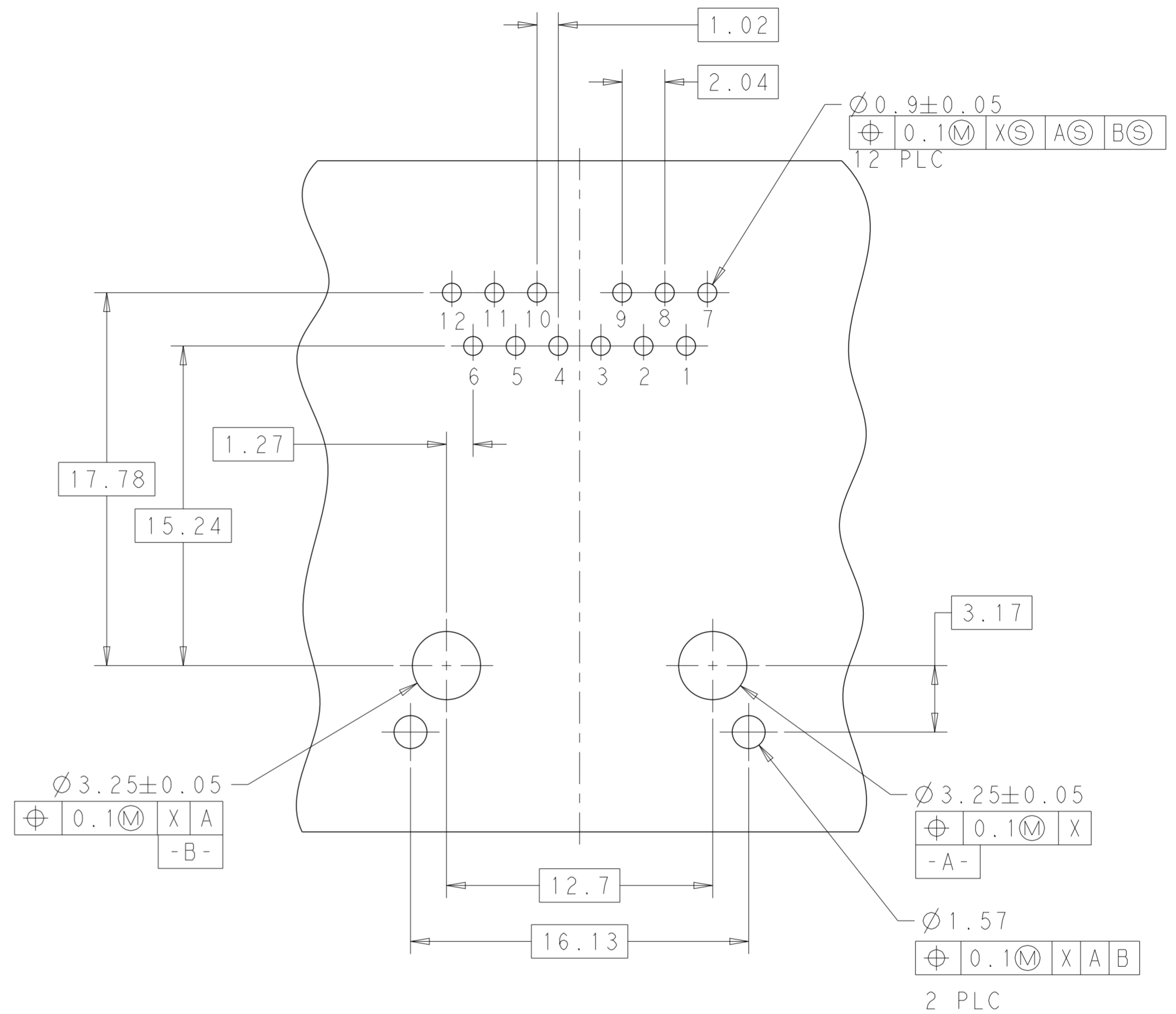
THIS DRAWING IS A CONTROLLED DOCUMENT.		DWN SUNNY HAO 21MAY2010	 trp CONNECTOR a bel group DONGGUAN CHINA
DIMENSIONS: mm		CHK TONY YUAN 21MAY2010	
TOLERANCES UNLESS OTHERWISE SPECIFIED:		APVD KEITH ZHU 21MAY2010	
0 PLC ± 1 PLC ±0.25 2 PLC ±0.25 3 PLC ±0.25 4 PLC ± ANGLES ±		MODEL NAME MAGJACK	
PRODUCT SPEC 108-104004	APPLICATION SPEC -	DESC SINGLE NON-POE	SIZE A2 CAGE CODE DRAWING NO. C-1840491 RESTRICTED TO CUSTOMER DRAWING SCALE NTS SHEET 1 OF 3 REV 6

1G27 GIGABIT CIRCUIT




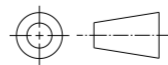
C1 = 1000 pF, 2kv DECOUPLING CAPACITOR

R1 - R4 = 75 Ohms, RESISTORS



THIS DRAWING IS A CONTROLLED DOCUMENT.		DWN: SUNNY HAO 21MAY2010	 trp CONNECTOR a bel group DONGGUAN CHINA
DIMENSIONS: mm		CHK: TONY YUAN 21MAY2010	
		APVD: KEITH ZHU 21MAY2010	
TOLERANCES UNLESS OTHERWISE SPECIFIED: 0 PLC ± 1 PLC ±0.25 2 PLC ±0.25 3 PLC ±0.25 4 PLC ± ANGLES ± APPLICATION SPEC		MODEL NAME: MAGJACK SINGLE NON-POE	
PRODUCT SPEC: 108-104004		DESC: 1X1 1G27 GIGABIT TAB DOWN W/O LED	
		SIZE: A2	RESTRICTED TO: -
		CAGE CODE: C-1840491	
		DRAWING NO: C-1840491	
		SCALE: NTS	
		SHEET 2 OF 3	
		REV 6	

1840491						STOCK DISPOSITION			
1X1 MAG(45) MODULAR JACK, 1G27 GIGABIT CIRCUIT, SHIELDED WITHOUT LED						A: CONTINUE AS IS		D: USE OLD FIRST	
REVISION HISTORY						B: REWORK		E: PARTS TO CONFORM	
						C: SCRAP		F: OTHER	
DATE	REV	CHANGES	REASON	APPROVAL	INVENTORY (A,B,C,D,E,F)	WORK IN PROCESS (A,B,C,F)	SUPPLIER ORDERS (A,E,F)	OPEN CUST ORDERS (A,E,F)	
21MAY2010	1	-	INITIAL RELEASE	KEITH ZHU					
12JUNE2010	2	ADD NEW PART 1840491-2	CUSTOMER REQUIREMENT	KEITH ZHU	-	-	-	-	
22OCT2010	3	SHEET 1, D7: CHANGE DATE CODE TO "YYWWD" SHEET 1, NOTE 6, ADD "DATE CODE: YYWWD" "YY" IS YEAR, "WW" IS WORK WEEK, "D" IS DAY OF WEEK, WITH SUNDAY=1.	TO TRACK THE PRODUCT MORE ACCURATE	KEITH ZHU	-	-	-	-	
27JUN2013	4	LOGO CHANGE	MARKETING REQUEST	KZ	-	-	-	-	
02DEC2013	5	LOGO CHANGE (FOR HOUSING CAVITY)	MARKET REQUEST	TONY YUAN	-	-	-	-	
07JAN2015	6	EC-1411035 COMPANY LOGO CHANGE	MARKET REQUEST	TONY YUAN	-	-	-	-	

THIS DRAWING IS A CONTROLLED DOCUMENT.		DWN SUNNY HAO 21MAY2010	 trp CONNECTOR a bel group DONGGUAN CHINA
DIMENSIONS: mm		CHK TONY YUAN 21MAY2010	
		APVD KEITH ZHU 21MAY2010	
TOLERANCES UNLESS OTHERWISE SPECIFIED: 0 PLC ± 1 PLC ±0.25 2 PLC ±0.25 3 PLC ±0.25 4 PLC ± ANGLES ±		MODEL NAME MAGJACK SINGLE NON-POE	
PRODUCT SPEC 108-104004		DESC 1X1 1G27 GIGABIT TAB DOWN W/O LED	
APPLICATION SPEC -		SIZE A2	RESTRICTED TO -
		CAGE CODE C-1840491	
		DRAWING NO C-1840491	
		SCALE NTS	SHEET 3 OF 3
			REV 6
		CUSTOMER DRAWING	