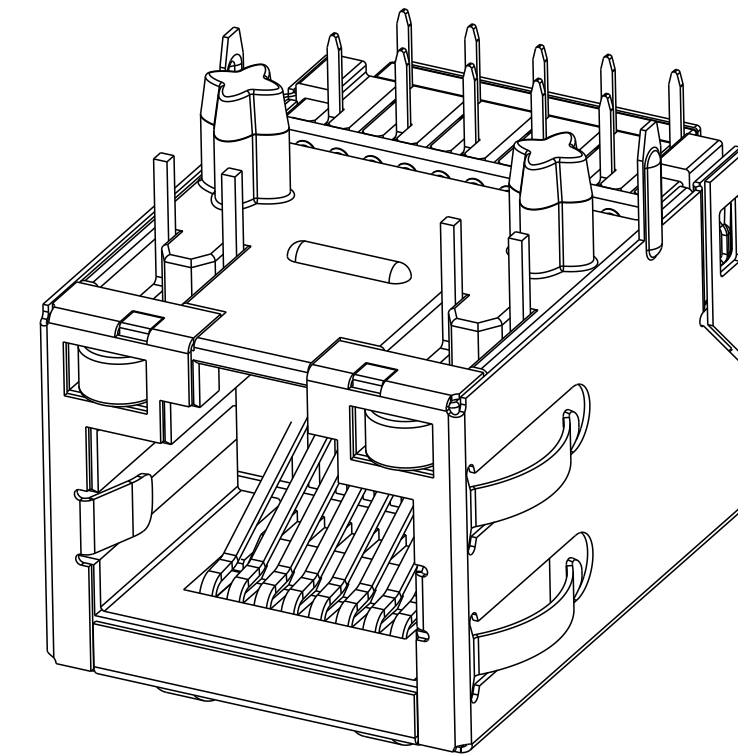
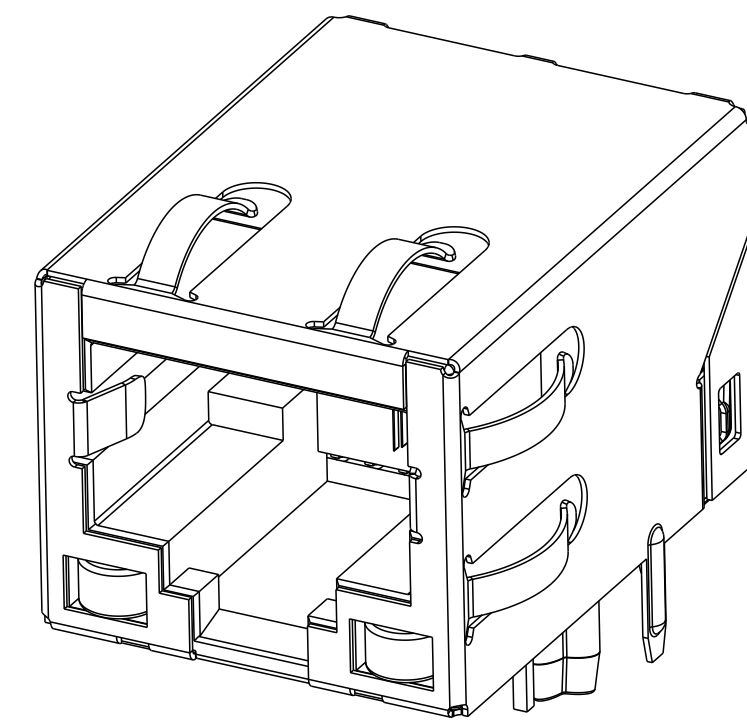
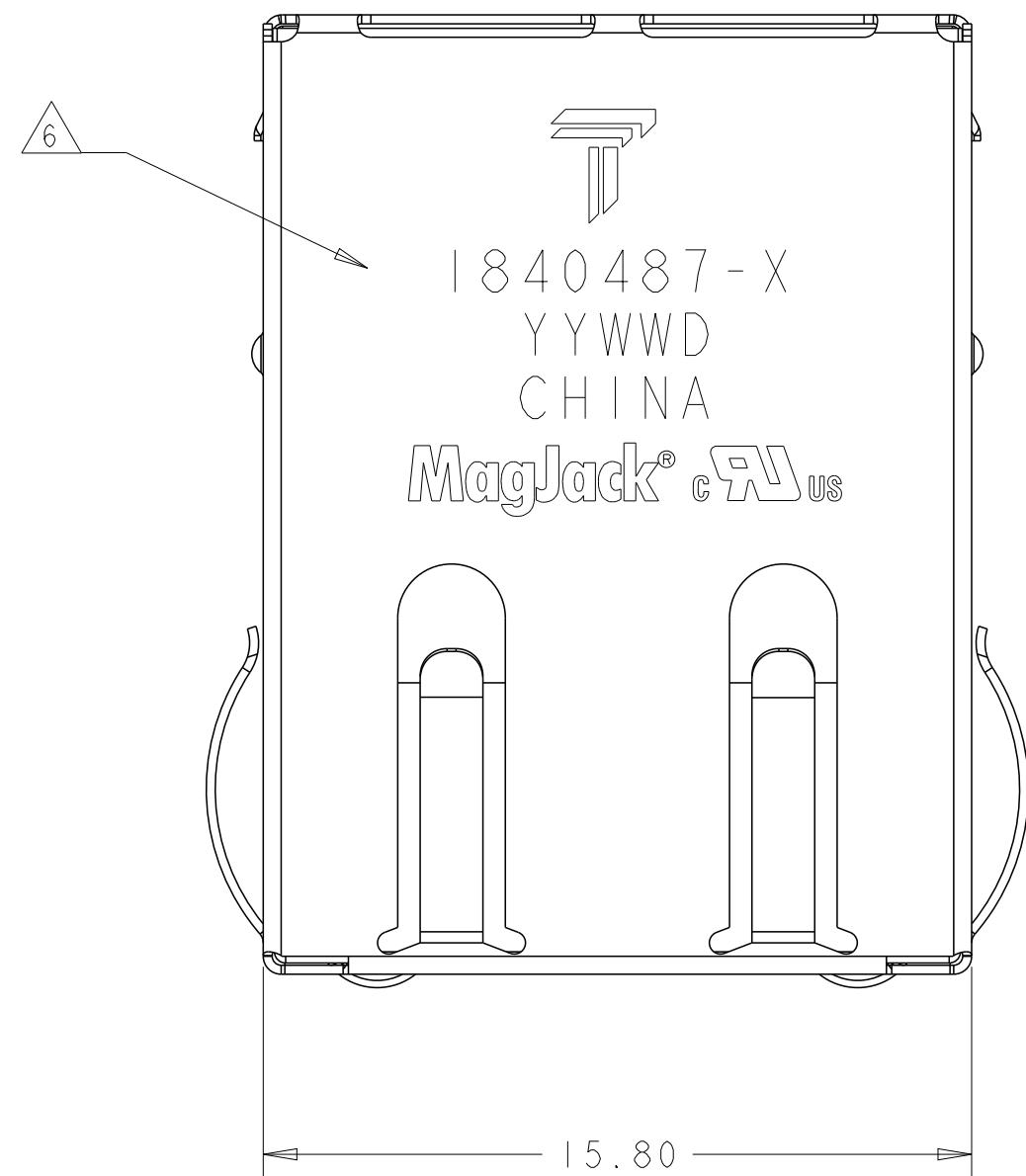


THIS DRAWING AND THE SUBJECT MATTER SHOWN THEREON ARE CONFIDENTIAL AND THE PROPERTY OF BEL/STEWART/TRP CONNECTOR AND SHALL NOT BE REPRODUCED, COPIED, OR USED IN ANY MANNER WITHOUT THE WRITTEN CONSENT OF TRP CONNECTOR.

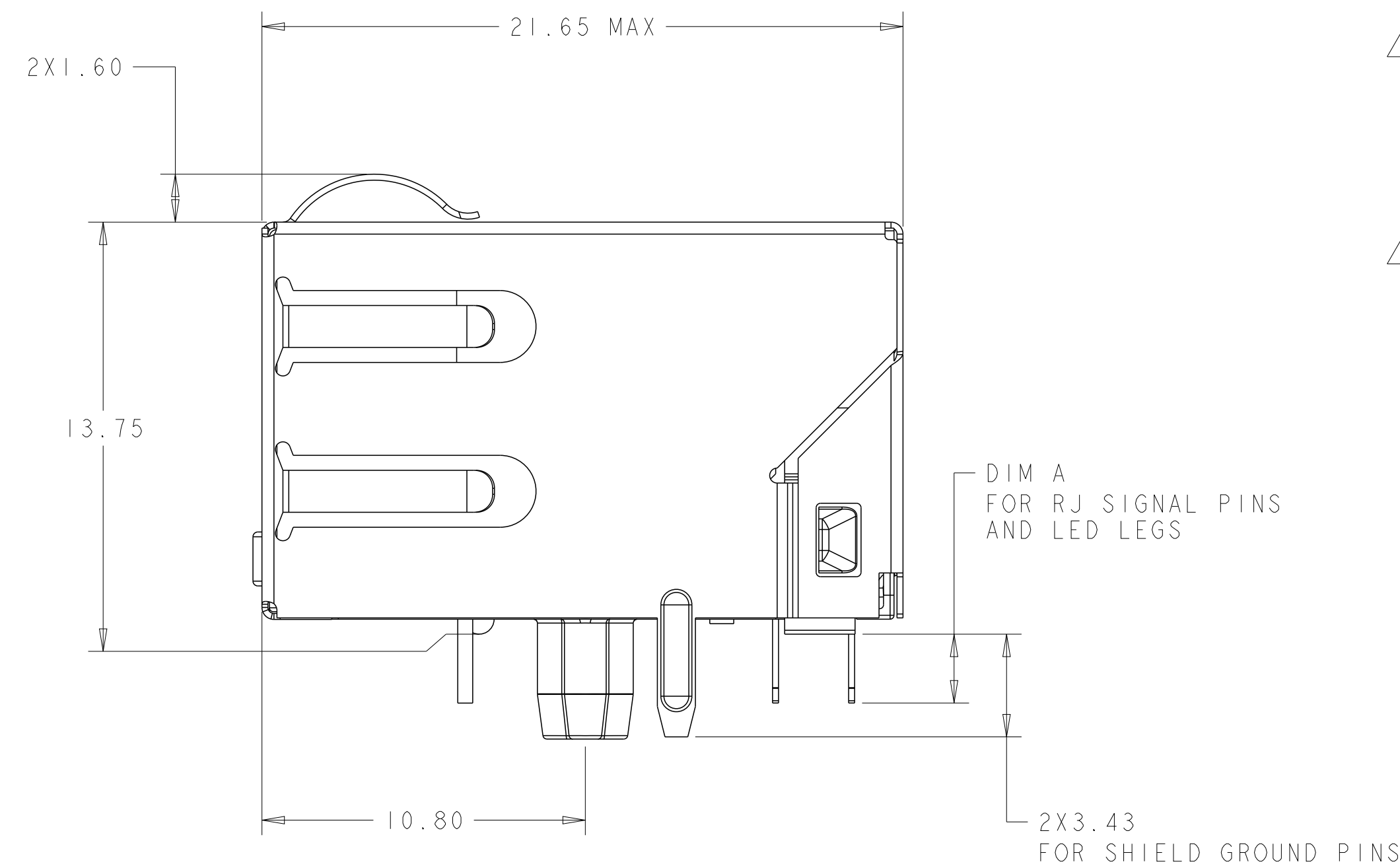
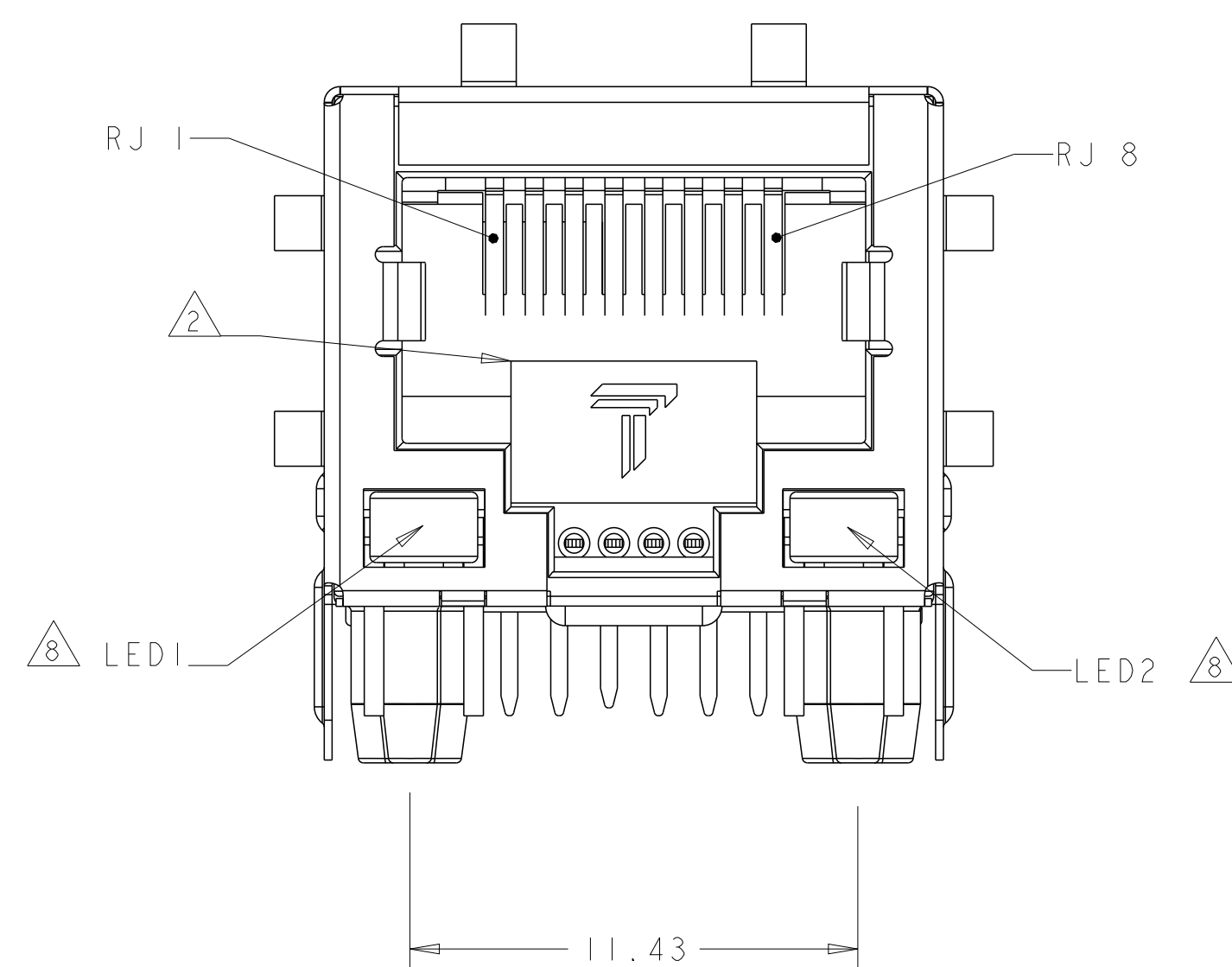
PRODUCT MAY BE PROTECTED BY ONE OR MORE OF THE FOLLOWING US PATENTS:
 5736910 5939955 6425781 6428361 6554638 6840817 7123117
 7429195 7717749 7808751 6217391 6149050 7924130

REVISIONS				
P.	LTN	DESCRIPTION	DATE	APPV
8		SEE LAST SHEET	07JAN2015	RL TY



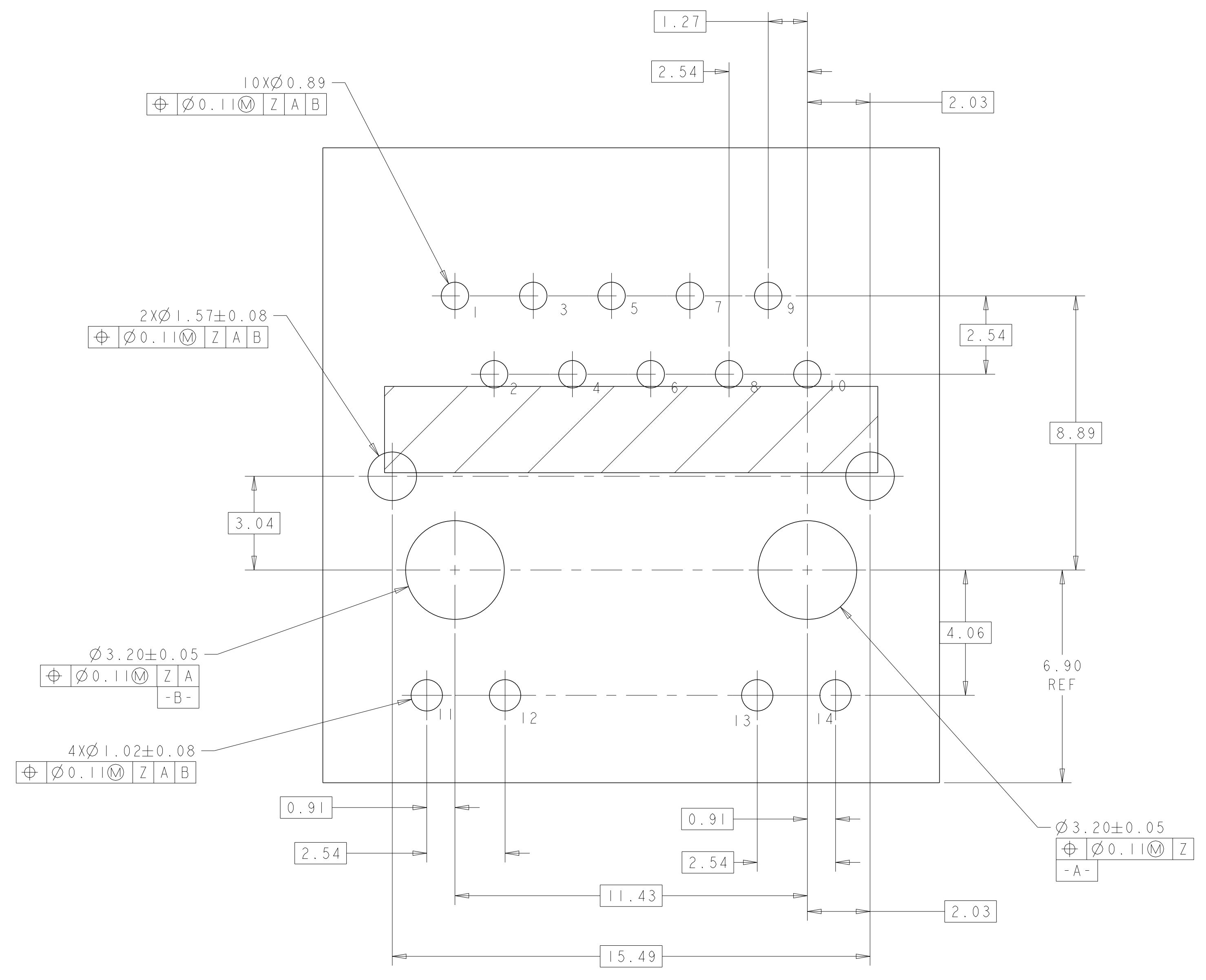
NOTES:

1. MATERIALS
 - HOUSING: THERMOPLASTIC, FLAMMABILITY RATING UL 94V-0.
 - SHIELD: BRASS 0.20mm THICK, PREPLATED WITH 0.76um MIN SEMI-BRIGHT NICKEL. SOLDER TABS POST DIPPED WITH 2.54um MIN SAC SOLDER.
 - CONTACTS: PHOSPHOR BRONZE 0.46mm X 0.30mm, PHOSPHOR BRONZE, 1.27um MIN NICKEL UNDERPLATE, WITH 1.27um MIN GOLD PLATING AT MATING INTERFACE AND 2.54um MIN MATTE TIN ON SOLDER TAILS.
 - SOLDER TAILS: 0.25mm THICK, PHOSPHOR BRONZE, 1.27um MIN OVERALL NICKEL UNDERPLATE, 3um TIN PLATE
 - LIGHT EMITTING DIODE (LED): DIFFUSED EPOXY LENS, 0.5mm X 0.5mm CARBON STEEL WIREFRAME LEADS PREPLATED WITH 2.03um MIN. SILVER PLATE OVER 1.02um MIN. NICKEL OVER 1.02um MIN. COPPER UNDERPLATE; LEADS POST-PLATED WITH 3.05um MIN. MATTE TIN AND/OR SAC SOLDER DIP OR PURE TIN SOLDER DIP
2. RJ45 JACK CAVITY CONFORMS TO FCC RULES AND REGULATIONS PART 68 SUB PART F.
3. MAGNETICS
 - APPLICATION: 10/100/1000 BASE-T, EXTENDED TEMPERATURE
 - IMPEDANCE: 100 OHMS
 - TURNS RATIO (CHIP:CABLE): 1:1 ALL FOUR PAIRS
 - OPEN CIRCUIT INDUCTANCE (OCL): 350uH MIN. @100kHz, 0.1VRMS, 8mADC BIAS FROM -40°C TO +85°C, ALL FOUR PAIRS
 - ALL FOUR PAIRS BI-DIRECTIONAL
 - PERFORMANCE @ 25°C:
 - INSERTION LOSS (IL): 1.1dB MAX. FROM 0.5MHz TO 100MHz
 - RETURN LOSS (RL): 18dB MIN FROM 0.5MHz TO 40MHz
 - 12-20LOG(f/80)dB MIN. FROM 40.1MHz TO 100MHz
 - CROSSTALK ATTENUATION: 35dB MIN. FROM 0.5MHz TO 40MHz
 - 33-20LOG(f/50)dB MIN. FROM 40.1MHz TO 100MHz
 - COMMON MODE REJECTION RATIO (CMRR): 30dB MIN. FROM 0.5MHz TO 100MHz
 - ISOLATION VOLTAGE: 2250VDC FOR 60 SECONDS WITH A RISE TIME OF 500 V/SEC
4. OPERATING TEMPERATURE: FROM -40°C TO +85°C.
5. INDICATED MAGNETIC CONNECTIONS ARE SYMMETRICAL TO SUPPORT AUTO-MDI/MDIX.
6. TRP CONNECTOR LOGO, PART NUMBER, DATE CODE, COUNTRY OF ORIGIN AND AGENCY APPROVAL MARKING IN APPROXIMATE LOCATION SHOWN.
7. THESE PARTS ARE RECOMMENDED FOR WAVE SOLDERING PROCESS, PREHEAT TEMPERATURE IS 120°C TO 160°C, 120 SECONDS TO 180 SECONDS, PEAK WAVE SOLDERING TEMPERATURE IS 260°C MAX, 10 SECONDS MAX.
8. LEDs ARE DRIVEN WITH CONSTANT CURRENT AT APPROX 20mA
 LED COLOR:
 - DOMINATE WAVELENGTH (λD): GREEN 568 nm TYP. AT IF = 20mA
 - FORWARD VOLTAGE (VF): GREEN 2.2V TYP. AT IF = 20mA
 - DOMINATE WAVELENGTH (λD): YELLOW 588 nm TYP. AT IF = 20mA
 - FORWARD VOLTAGE (VF): YELLOW 2.1V TYP. AT IF = 20mA

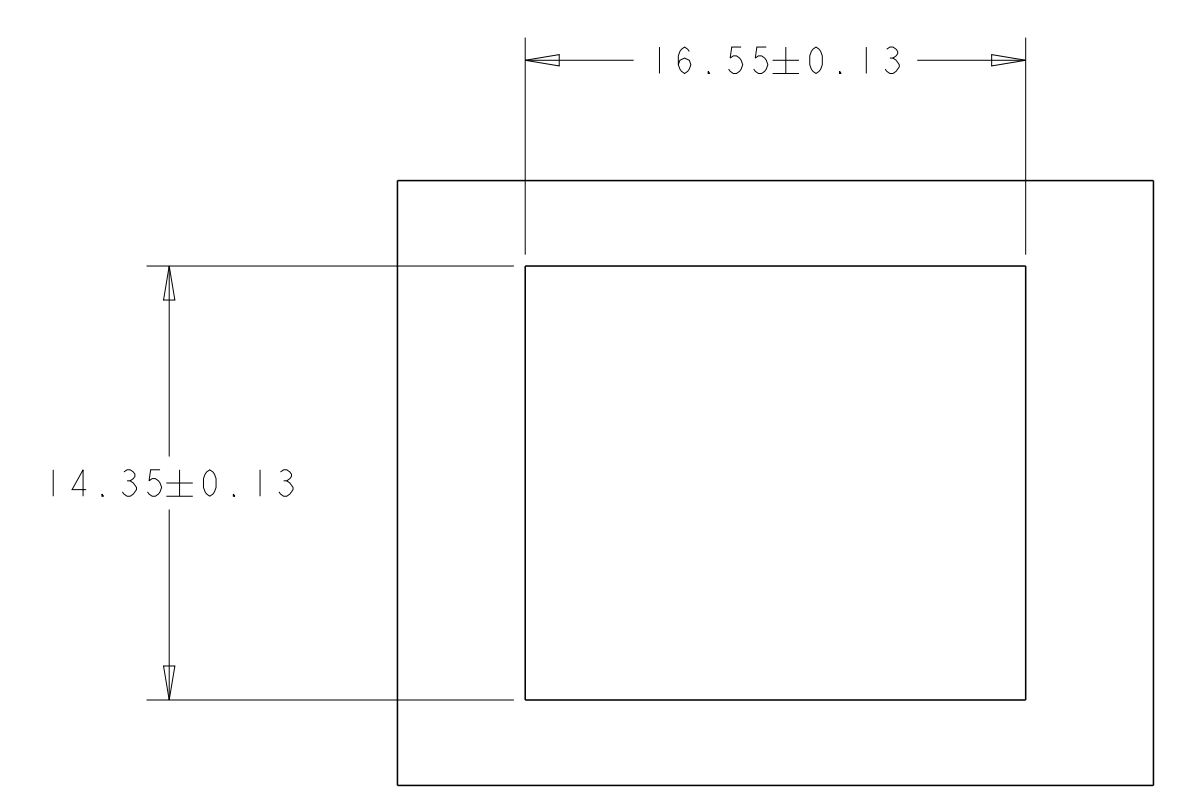


3.68	YELLOW	-	GREEN	-	1840487-9
3.68	GREEN	YELLOW	GREEN	YELLOW	1840487-8
2.30	GREEN	-	GREEN	-	1840487-7
2.30	GREEN	YELLOW	GREEN	YELLOW	1840487-6
DIM A	11 → 12	12 → 11	13 → 14	14 → 13	PART NUMBER
	LED 1		LED 2		

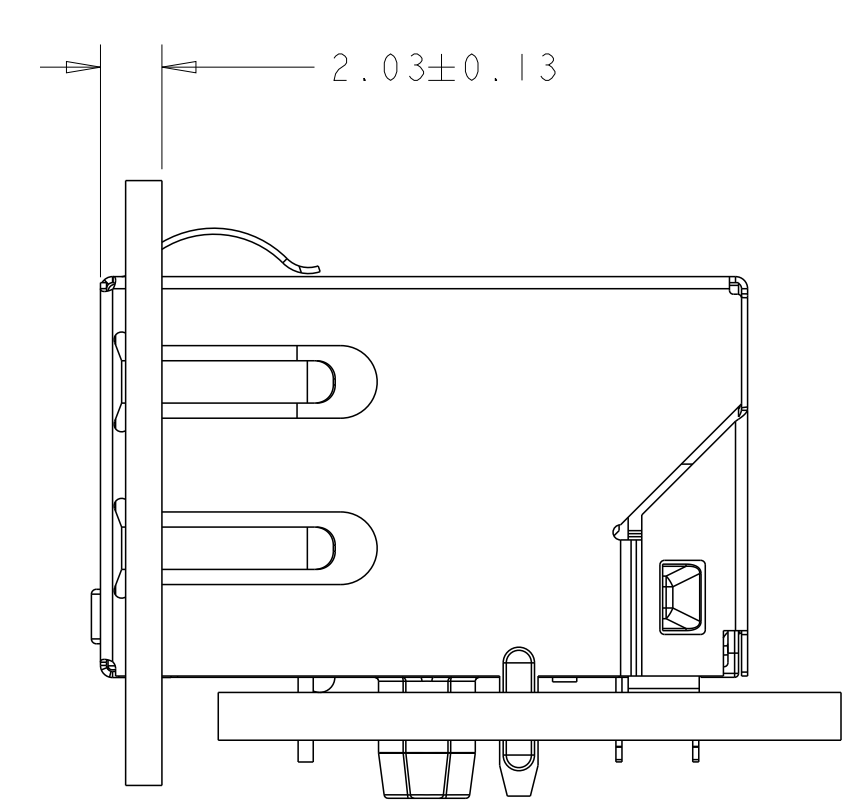
THIS DRAWING IS A CONTROLLED DOCUMENT.		OWN: YKIN LEE 08MAR2010	 trp CONNECTOR a bel group	DONGGUAN CHINA	
DIMENSIONS: mm		CHK: QUENTIN LIU 08MAR2010		MODEL NAME: MAGJACK DESC: 1X1 4G46ETPI GIGABIT TAB DOWN W/ LED	RESTRICTED TO
TOLERANCES UNLESS OTHERWISE SPECIFIED:		APPV: LI JUN RAO 08MAR2010			SIZE: A1
0 PLC ±0.25 1 PLC ±0.25 2 PLC ±0.25 3 PLC ±0.25 4 PLC ±0.25 ANGLES ±° APPLICATION SPEC		PRODUCT SPEC: 108-104004	SCALE: 4:1	SHEET 1 OF 3	



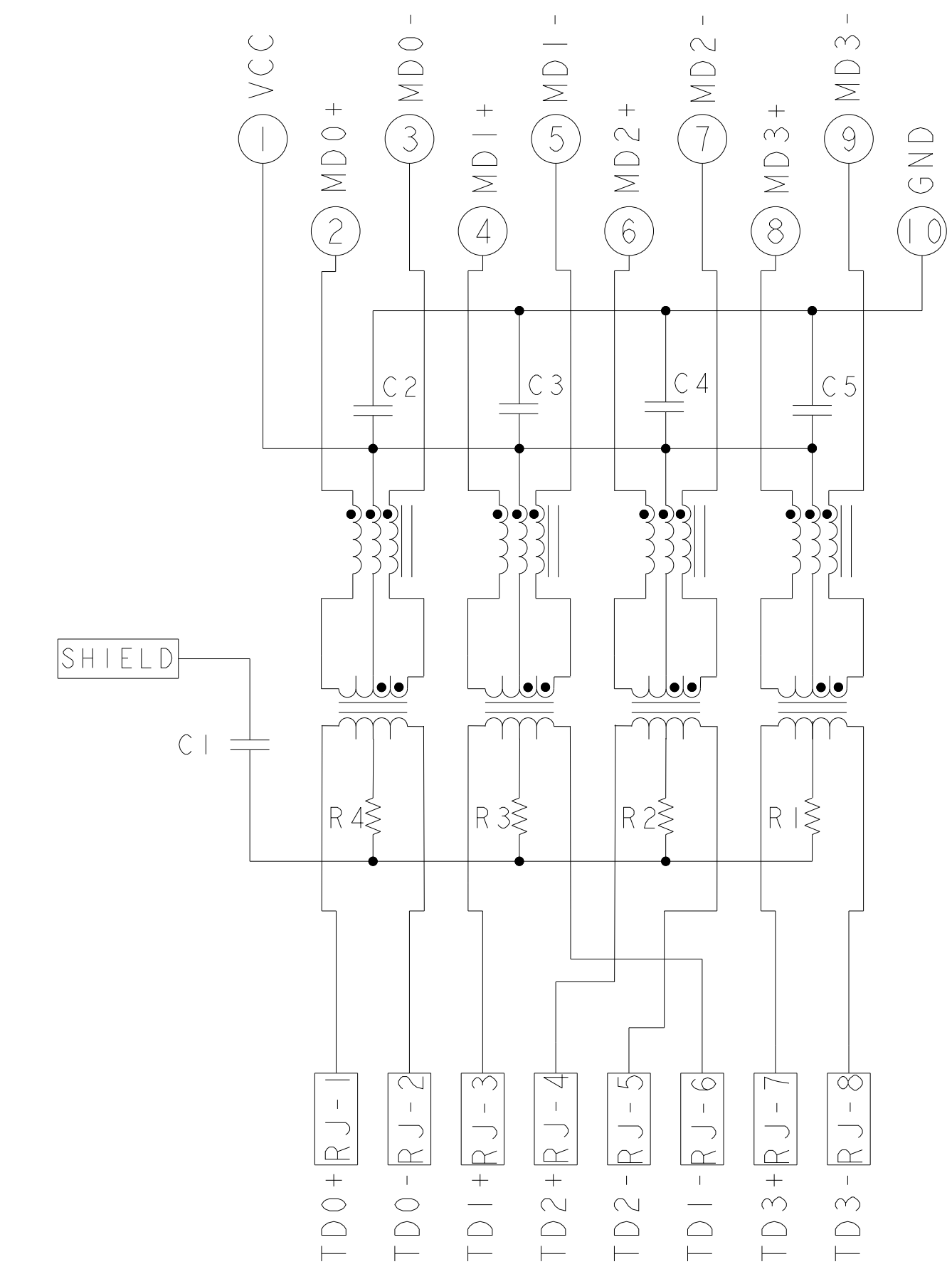
SUGGESTED PCB LAYOUT
(COMPONENT SIDE)



SUGGESTED PANEL OPENING




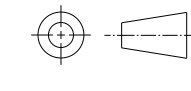
4G46ETPI GIGABIT CIRCUIT



C1=1000pF, 2kV, CAPACITOR
 R1-R4=75 Ohms, RESISTORS
 C2-C5=0.1uF, 50V CAPACITORS

THIS DRAWING IS A CONTROLLED DOCUMENT.		OWN: YKIN LEE 08MAR2010	DONGGUAN CHINA a bel group
DIMENSIONS: mm		CHK: QUENTIN LIU 08MAR2010	
TOLERANCES UNLESS OTHERWISE SPECIFIED:		APVD: LI JUN RAO 08MAR2010	
0 PLC ±0.25 1 PLC ±0.25 2 PLC ±0.25 3 PLC ±0.25 4 PLC ± ANGLES ± APPLICATION SPEC ±		MODEL NAME: MAGJACK	
PRODUCT SPEC: 108-104004		DESC: SINGLE Non-PoE	SIZE: A1 CAGE CODE: C=1840487 DRAWING NO: 108-104004 RESTRICTED TO:
		CUSTOMER DRAWING	SCALE: 4:1 SHEET: 2 OF 3 REV: 8

C_1840487					STOCK DISPOSITION			
REVISION HISTORY					A: CONTINUE AS IS		D: USE OLD FIRST	
DATE	REV	CHANGES	REASON	APPROVAL	B: REWORK		E: PARTS TO CONFORM	
					C: SCRAP		F: OTHER	
					INVENTORY (A,B,C,D,E,F)	WORK IN PROCESS (A,B,C,F)	SUPPLIER ORDERS (A,E,F)	OPEN CUST ORDERS (A,E,F)
28MAY2013	7	ADD DASH NUMBER 1840487-8 AND 1840487-9	MARKET REQUIREMENT	TONY YUAN	-	-	-	-
07JAN2015	8	EC-1411035 COMPANY LOGO CHANGE	MARKET REQUIREMENT	TONY YUAN	-	-	-	-

THIS DRAWING IS A CONTROLLED DOCUMENT.		OWN: YKIN LEE 08MAR2010	 trp CONNECTOR <small>a bel group</small>	DONGGUAN CHINA		
DIMENSIONS: mm		CHK: QUENTIN LIU 08MAR2010		DESC: IXI 4G46ETPI GIGABIT TAB DOWN W/ LED		
 0 PLC ±0.25 1 PLC ±0.25 2 PLC ±0.25 3 PLC ± 4 PLC ± ANGLES APPLICATION SPEC		APVD: JUN RAO 08MAR2010		MODEL NAME: MAGJACK	SIZE: A1	RESTRICTED TO: -
PRODUCT SPEC: 108-104004	APPLICATION SPEC: -	SINGLE Non-PoE		C=1840487	SCALE: 4:1 SHEET 3 OF 3 REV 8	
CUSTOMER DRAWING						