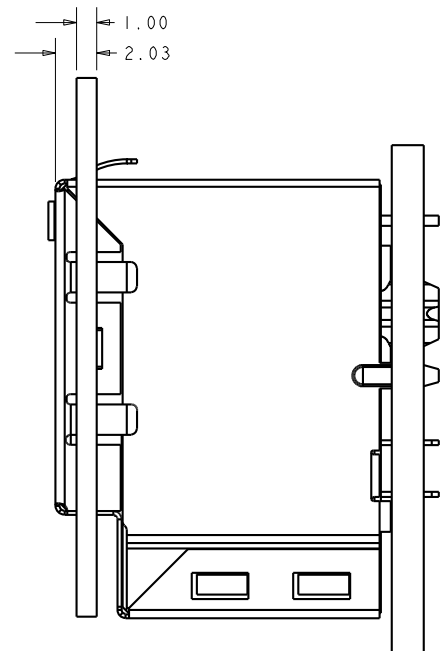
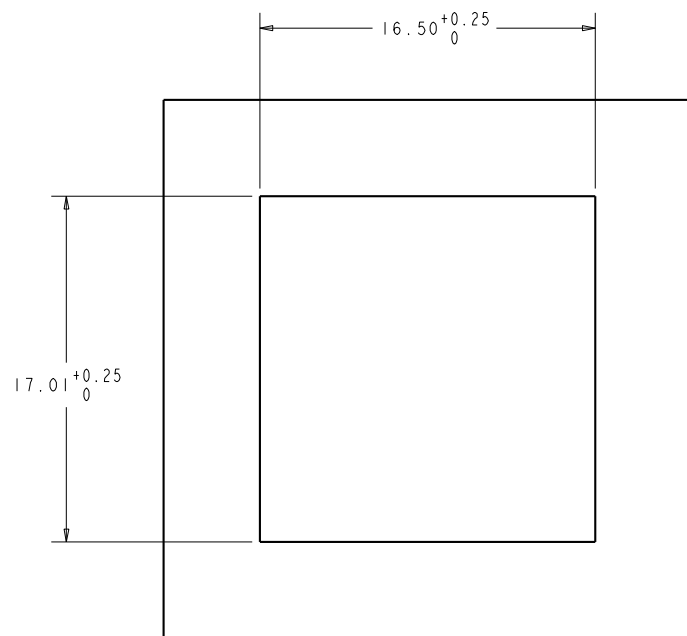
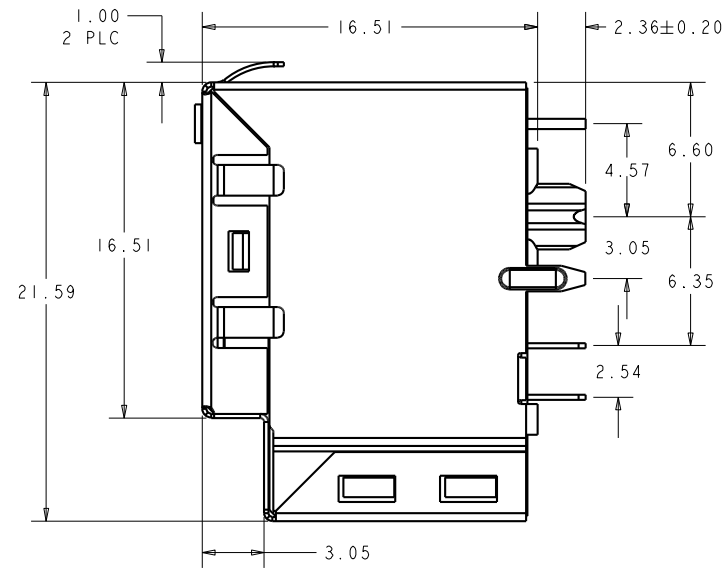
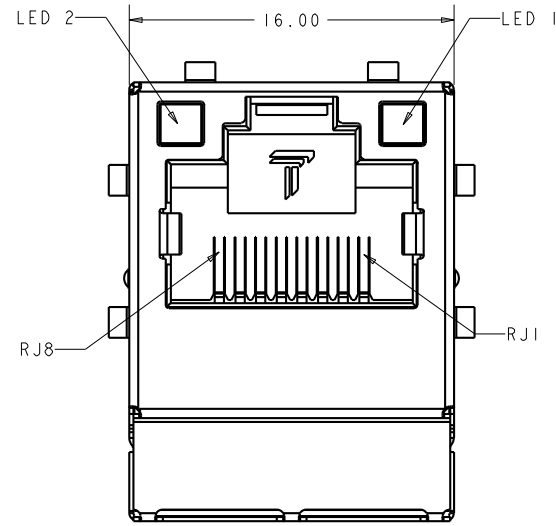
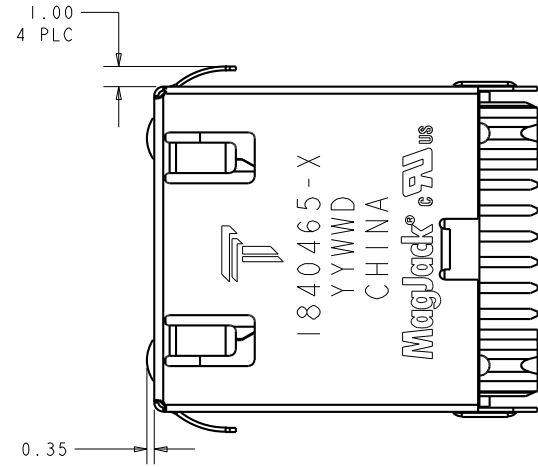
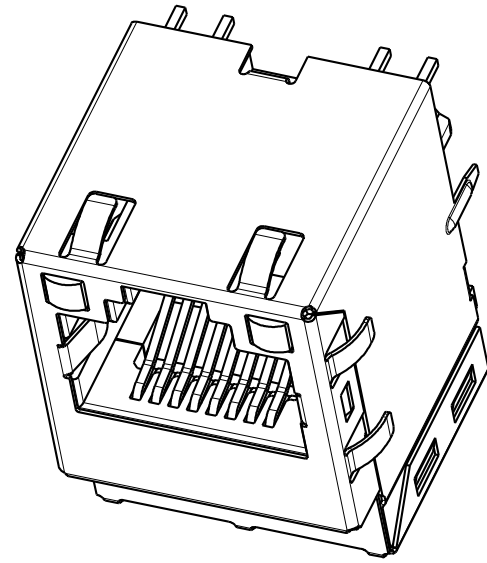


THIS DRAWING AND THE SUBJECT MATTER SHOWN THEREON ARE CONFIDENTIAL AND THE PROPERTY OF BEL/STEWART/TRP CONNECTOR AND SHALL NOT BE REPRODUCED, COPIED, OR USED IN ANY MANNER WITHOUT THE WRITTEN CONSENT OF TRP CONNECTOR.

PRODUCT MAY BE PROTECTED BY ONE OR MORE OF THE FOLLOWING US PATENTS:
 5736910 5939955 6425781 6428361 6554638 6840817 7123117
 7429195 7717749 7808751 6217391 6149050 7924130

REVISIONS				
P	LTR	DESCRIPTION	DATE	APVD
D		EC-1411035, LOGO CHANGE	19JAN2015	JC TY



- MATERIALS**
 HOUSING: THERMOPLASTIC, BLACK, FLAMMABILITY RATED UL 94V-0
 SHIELD: BRASS, 0.20mm THICK, PREPLATED WITH MIN 0.76um SEMI-BRIGHT NICKEL POST DIPPED WITH 2.54um MIN SAC SOLDER AT GROUND PINS.
 CONTACTS: PHOSPHOR BRONZE, PLATED WITH 1.27um MIN OVERALL NICKEL UNDERPLATE, SELECTIVE 1.27um MIN GOLD AT MATING INTERFACE AND 2.54um MIN MATTE TIN ON SOLDER TAILS. OR 1.27um MIN NICKEL UNDERPLATE, WITH 0.05um GOLD PLATING OVER 0.76um MIN PALLADIUM NICKEL PLATING AT MATING INTERFACE AND 2.54um MIN MATTE TIN ON SOLDER TAILS.
 SOLDER TAIL: PHOSPHOR BRONZE, WITH 1.27um MIN OVERALL NICKEL UNDERPLATE AND PLATED WITH 2.54um MIN TIN
 LED: DIFFUSED EPOXY LENS, 0.50mm SQUARE CARBON STEEL WIREFRAME LEADS PREPLATED WITH 2.03um MIN SILVER OVER 1.02um MIN NICKEL OVER 1.02um MIN COPPER UNDERPLATE POST PLATED WITH 2.54um MIN TIN

- MAGNETICS**
 -APPLICATION: 10/100/1000 BASE-T
 -IMPEDANCE: 100 OHMS
 -TURNS RATIO (CHIP:CABLE): 1:1 ALL FOUR PAIRS
 -OPEN CIRCUIT INDUCTANCE (OCL): 350uH MIN @100kHz, 0.1VRMS, 8mADC BIAS FROM 0°C TO 70°C, ALL FOUR PAIRS
 -ALL FOUR PAIRS BI-DIRECTIONAL
 -PERFORMANCE @ 25°C:
 INSERTION LOSS (IL): 1.1dB MAX FROM 0.5MHz TO 100MHz
 RETURN LOSS (RL): 18dB MIN FROM 0.5MHz TO 40MHz
 12-20LOG(f/80)dB MIN FROM 40.1MHz TO 100MHz
 CROSSTALK ATTENUATION: 35dB MIN FROM 0.5MHz TO 40MHz
 33-20LOG(f/50)dB MIN FROM 40.1MHz TO 100MHz
 COMMON MODE REJECTION RATIO (CMRR): 30dB MIN FROM 0.5MHz TO 100MHz
 -ISOLATION VOLTAGE: COMPLIES WITH IEEE802.3 2002, PARA 40.6.1.1, ITEM b.

3 THE MAGNETICS ARE SYMMETRICAL AND SUPPORT AUTO-MDIX OPERATION.


- OPERATING TEMPERATURE: 0 - 70°C
- LED IS DRIVEN WITH CONSTANT CURRENT AT APPROX 20mA.

DOMINANT WAVELENGTH(λ D)
 GREEN 568nm TYP.at IF=20mA
 YELLOW 588nm TYP.at IF=20mA

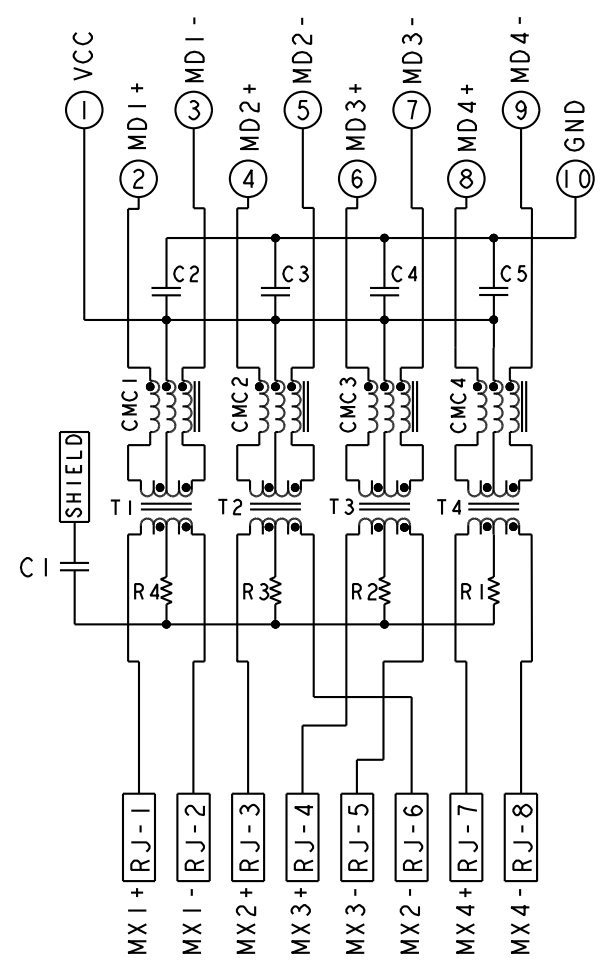
FORWARD VOLTAGE(VF):
 GREEN 2.2V TYP.at IF=20mA
 YELLOW 2.1V TYP.at IF=20mA

- ALL DIMENSIONS TO BE NOMINAL UNLESS OTHERWISE NOTED
- RJ45 CAVITY CONFORMS TO FCC RULES AND REGULATION PART 68 SUBPART F.
- THESE PARTS ARE RECOMMENDED FOR WAVE SOLDERING PROCESS, PEAK TEMPERATURE 260°C MAX, 10 SEC MAX

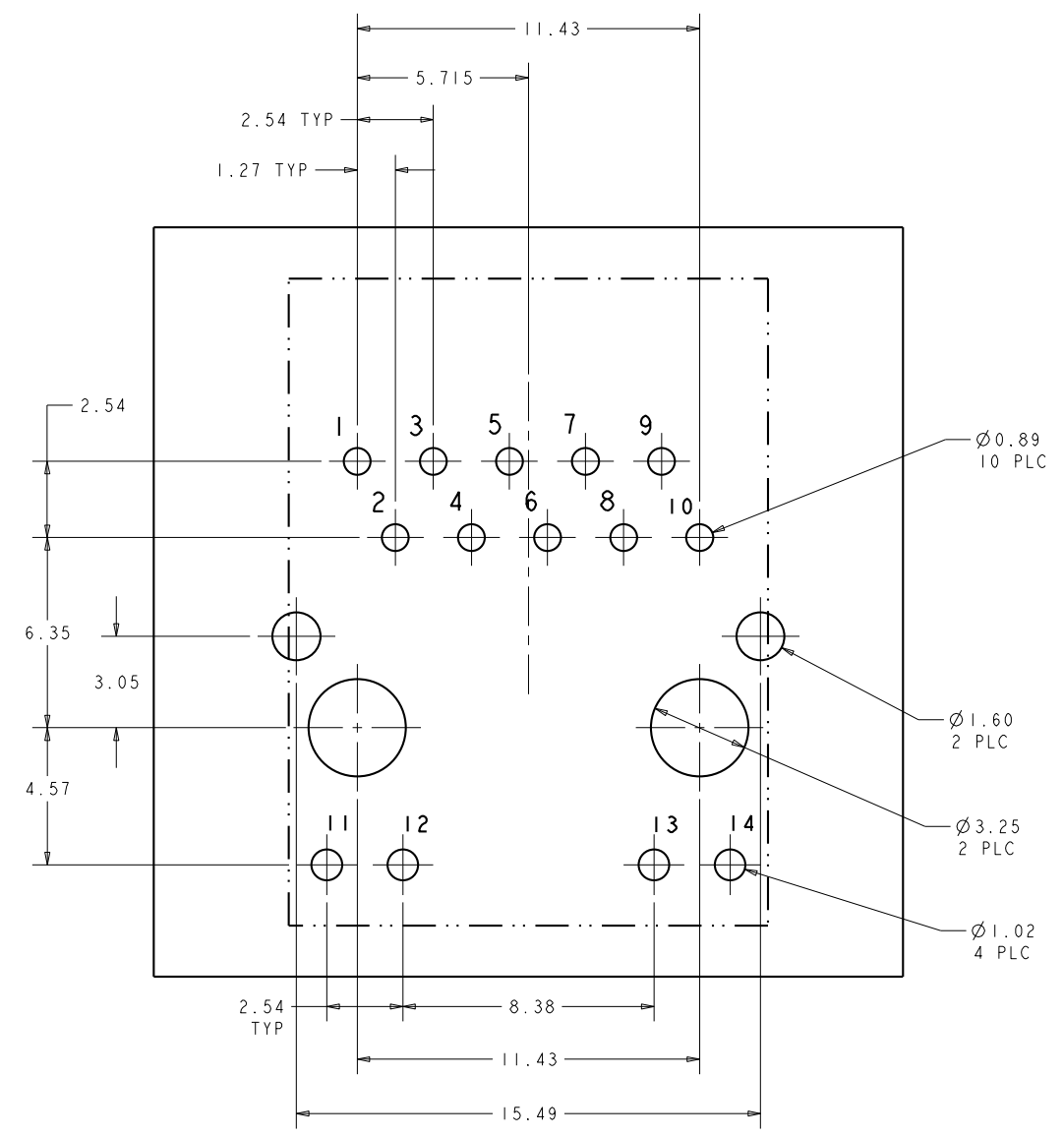
GRN/YEL	GRN/YEL	1840465-4
GREEN	YELLOW	1840465-3
YELLOW	GREEN	1840465-2
GREEN	GREEN	1840465-1
LED 2	LED 1	PART NUMBER

THIS DRAWING IS A CONTROLLED DOCUMENT.		DWN	WESLEY YI	28AUG2008	 trp CONNECTOR a bel group DONGGUAN CHINA
DIMENSIONS: mm		CHK	KEITH ZHU	28AUG2008	
TOLERANCES UNLESS OTHERWISE SPECIFIED:		APVD	TEDDY XIANG	28AUG2008	
0 PLC ±0.25 1 PLC ±0.25 2 PLC ±0.25 3 PLC ±0.25 4 PLC ± ANGLES ± APPLICATION SPEC ±		MODEL NAME	MAGJACK		
PRODUCT SPEC	108-2100	DESC	IXI, MAGJACK, VERTICAL 4G46PI, GIGABIT CIRCUIT, W/ LEDS		RESTRICTED TO
		SIZE	A2	CAGE CODE	DRAWING NO
		SCALE		3:1	SHEET 1 OF 2
		CUSTOMER DRAWING		SCALE	REV D

4G46PI GIGABIT CIRCUIT

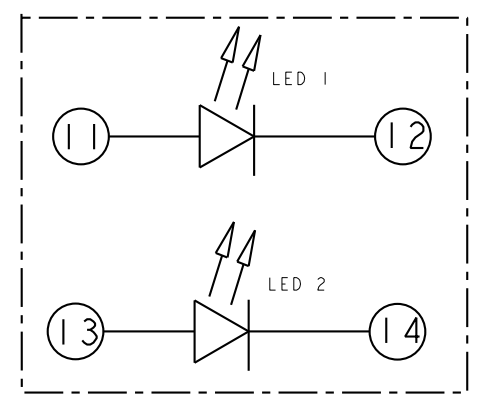


C2 - C5 = 0.1uF, 50V, CAPACITOR
 C1 = 1000pF, 2KV, CAPACITOR
 R1 - R4 = 75 ohms, RESISTOR

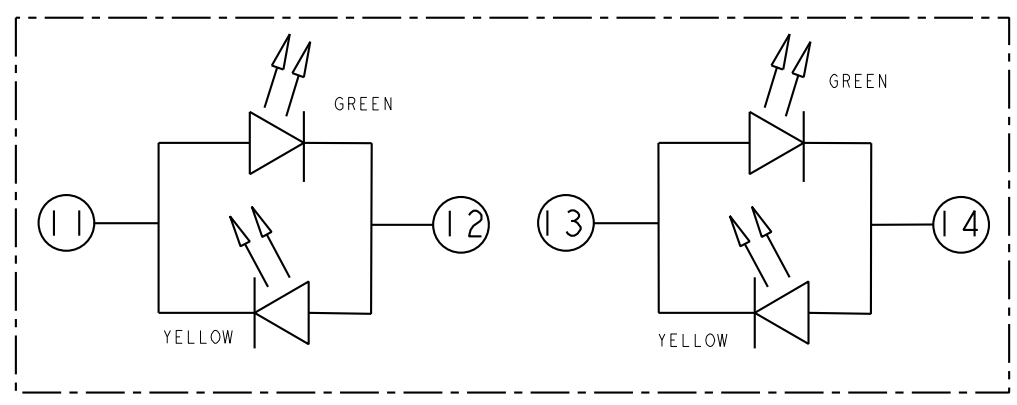



SUGGESTED PCB LAYOUT (TOL: ±0.05)
 (COMPONENT SIDE VIEW)

SINGLE COLOR LED



BI-COLOR LED



THIS DRAWING IS A CONTROLLED DOCUMENT.		DWN WESLEY YI 28AUG2008	 trp CONNECTOR a bel group DONGGUAN CHINA
DIMENSIONS: mm		CHK KEITH ZHU 28AUG2008	
TOLERANCES UNLESS OTHERWISE SPECIFIED: 0 PLC ±0.25 1 PLC ±0.25 2 PLC ±0.25 3 PLC ±0.25 4 PLC ±0.25 ANGLES ±° APPLICATION SPEC ±°		APVD TEDDY XIANG 28AUG2008	
PRODUCT SPEC 108-2100		MODEL NAME MAGJACK SINGLE NON-POE	
		DESC IXI, MAGJACK, VERTICAL 4G46PI, GIGABIT CIRCUIT, W/ LEDS	SIZE A2
		CAGE CODE C=1840465	DRAWING NO C=1840465
		CUSTOMER DRAWING	RESTRICTED TO -
		SCALE 3:1	SHEET 2 OF 2
			REV D