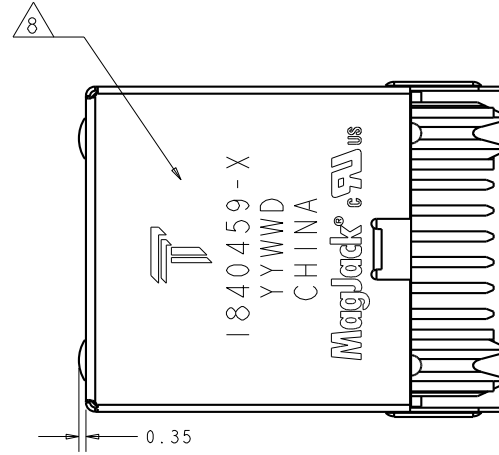
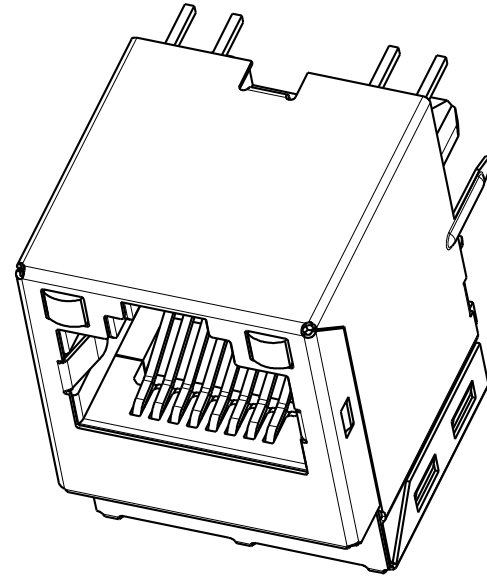


THIS DRAWING AND THE SUBJECT MATTER SHOWN THEREON ARE CONFIDENTIAL AND THE PROPERTY OF BEL/STEWART/TRP CONNECTOR AND SHALL NOT BE REPRODUCED, COPIED, OR USED IN ANY MANNER WITHOUT THE WRITTEN CONSENT OF TRP CONNECTOR.

PRODUCT MAY BE PROTECTED BY ONE OR MORE OF THE FOLLOWING US PATENTS:  
 5736910 5939955 6425781 6428361 6554638 6840817 7123117  
 7429195 7717749 7808751 6217391 6149050 7924130

REVISIONS				
P	LTR	DESCRIPTION	DATE	APVD
D		EC-1411035, LOGO CHANGE	19JAN2015	JC TY



1. MATERIALS  
 HOUSING: THERMOPLASTIC, BLACK, FLAMMABILITY RATED UL 94V-0  
 SHIELD: BRASS, 0.20mm THICK, PREPLATED WITH MIN 0.76um SEMI-BRIGHT NICKEL POST DIPPED WITH 2.54um MIN SAC SOLDER AT GROUND PINS.  
 CONTACT: PHOSPHOR BRONZE, WITH 1.27um MIN OVERALL NICKEL UNDERPLATE AND SELECTIVE 1.27um MIN GOLD PLATING AT MATING INTERFACE  
 SOLDER TAIL: PHOSPHOR BRONZE, WITH 1.27um MIN OVERALL NICKEL UNDERPLATE AND PLATED WITH 2.54um MIN TIN  
 LED: DIFFUSED EPOXY LENS, 0.50mm SQUARE CARBON STEEL WIREFRAME LEADS PREPLATED WITH 2.03um MIN SILVER OVER 1.02um MIN NICKEL OVER 1.02um MIN COPPER UNDERPLATE POST PLATED WITH 2.54um MIN TIN

2. MAGNETICS  
 -APPLICATION: 10/100/1000 BASE-T, EXTENDED TEMPERATURE  
 -IMPEDANCE: 100 OHMS  
 -TURNS RATIO (CHIP:CABLE): 1:1 ALL FOUR PAIRS  
 -OPEN CIRCUIT INDUCTANCE (OCL): 350uH MIN @100kHz, 0.1VRMS, 8mADC BIAS FROM -40°C TO 85°C, ALL FOUR PAIRS  
 -ALL FOUR PAIRS BI-DIRECTIONAL  
 -PERFORMANCE @ 25°C:  
 INSERTION LOSS (IL): 1.1dB MAX FROM 0.5MHz TO 100MHz  
 RETURN LOSS (RL): 18dB MIN FROM 0.5MHz TO 40MHz  
 12-20LOG(f/80)dB MIN FROM 40.1MHz TO 100MHz  
 CROSSTALK ATTENUATION: 35dB MIN FROM 0.5MHz TO 40MHz  
 33-20LOG(f/50)dB MIN FROM 40.1MHz TO 100MHz  
 COMMON MODE REJECTION RATIO (CMRR): 30dB MIN FROM 0.5MHz TO 100MHz  
 -ISOLATION VOLTAGE: COMPLIES WITH IEEE802.3 2002, PARA 40.6.1.1, ITEM b.

3. THE MAGNETICS ARE SYMMETRICAL AND SUPPORT AUTO-MDIX OPERATION.

4. OPERATING TEMPERATURE: -40 ~ 85°C

5. LED IS DRIVEN WITH CONSTANT CURRENT AT APPROX 20mA.

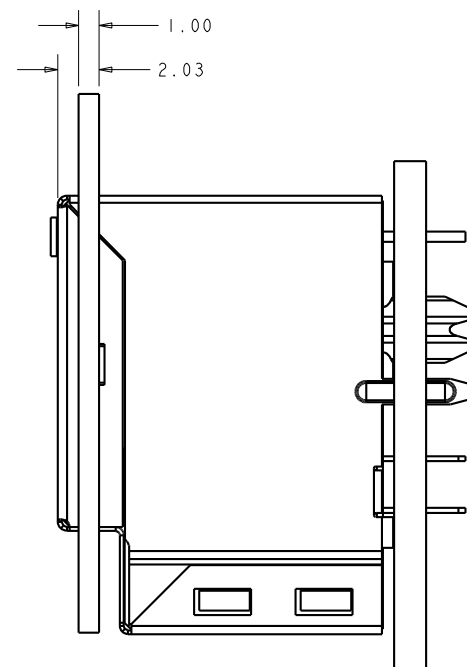
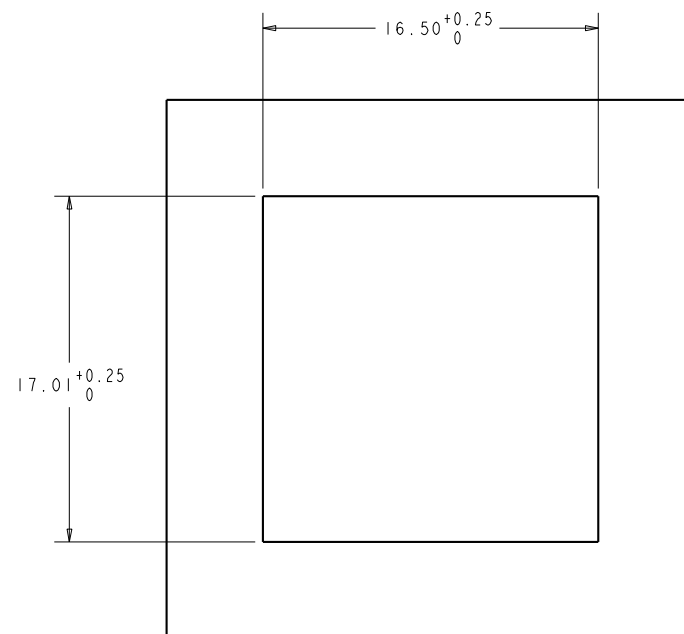
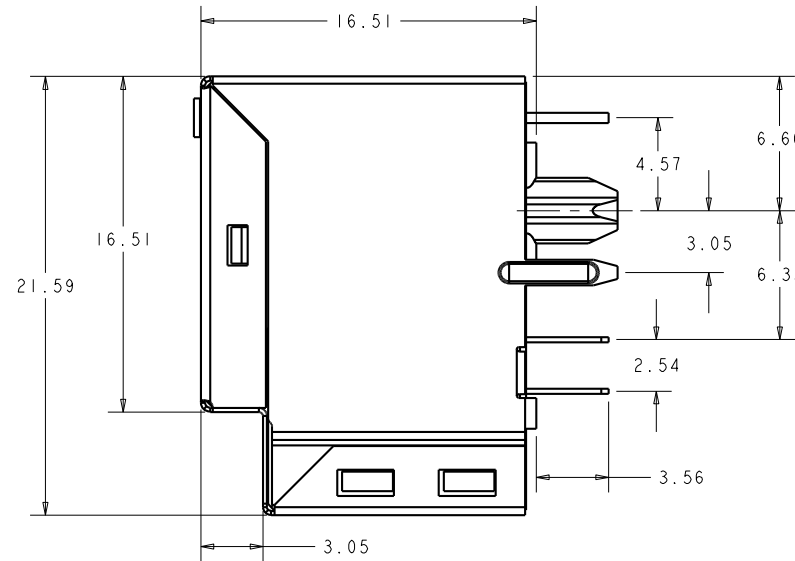
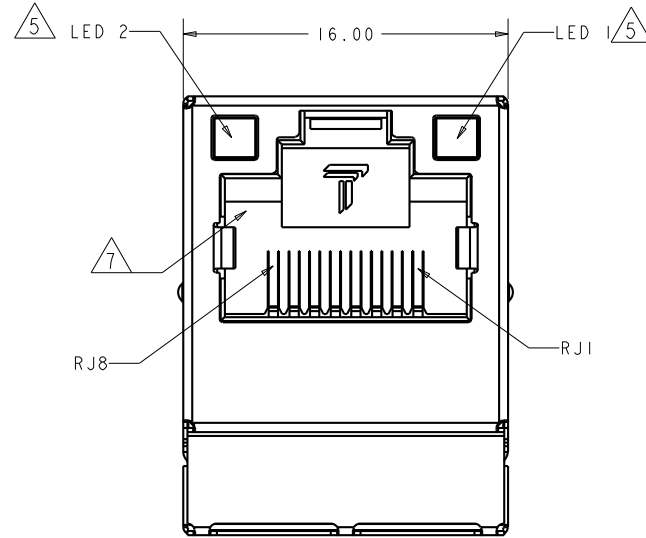
DOMINANT WAVELENGTH(λD)  
 GREEN 568nm TYP.at IF=20mA  
 YELLOW 588nm TYP.at IF=20mA

FORWARD VOLTAGE(VF):  
 GREEN 2.2V TYP.at IF=20mA  
 YELLOW 2.1V TYP.at IF=20mA


6. ALL DIMENSIONS TO BE NOMINAL UNLESS OTHERWISE NOTED

7. RJ45 CAVITY CONFORMS TO FCC RULES AND REGULATION PART 68 SUBPART F.

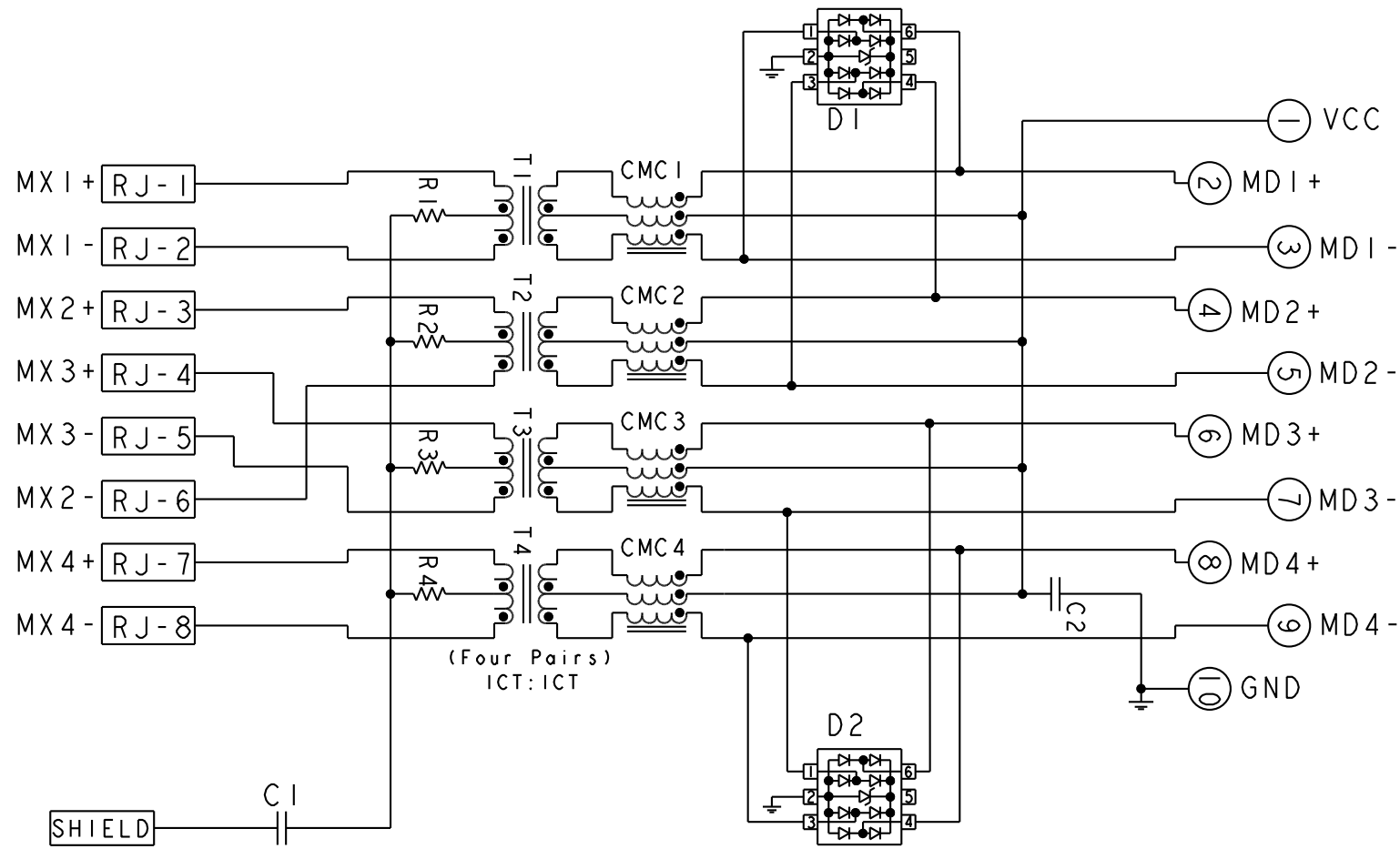
8. TRP CONNECTOR LOGO PART NUMBER, DATE CODE, COUNTRY OF ORIGIN AND AGENCY LOGO TO BE MARKED IN APPROXIMATE LOCATION AS SHOWN.  
 DATE CODE:YY IS YEAR, WW IS WORK WEEK, D IS DAY OF WEEK WITH SUNDAY=1.



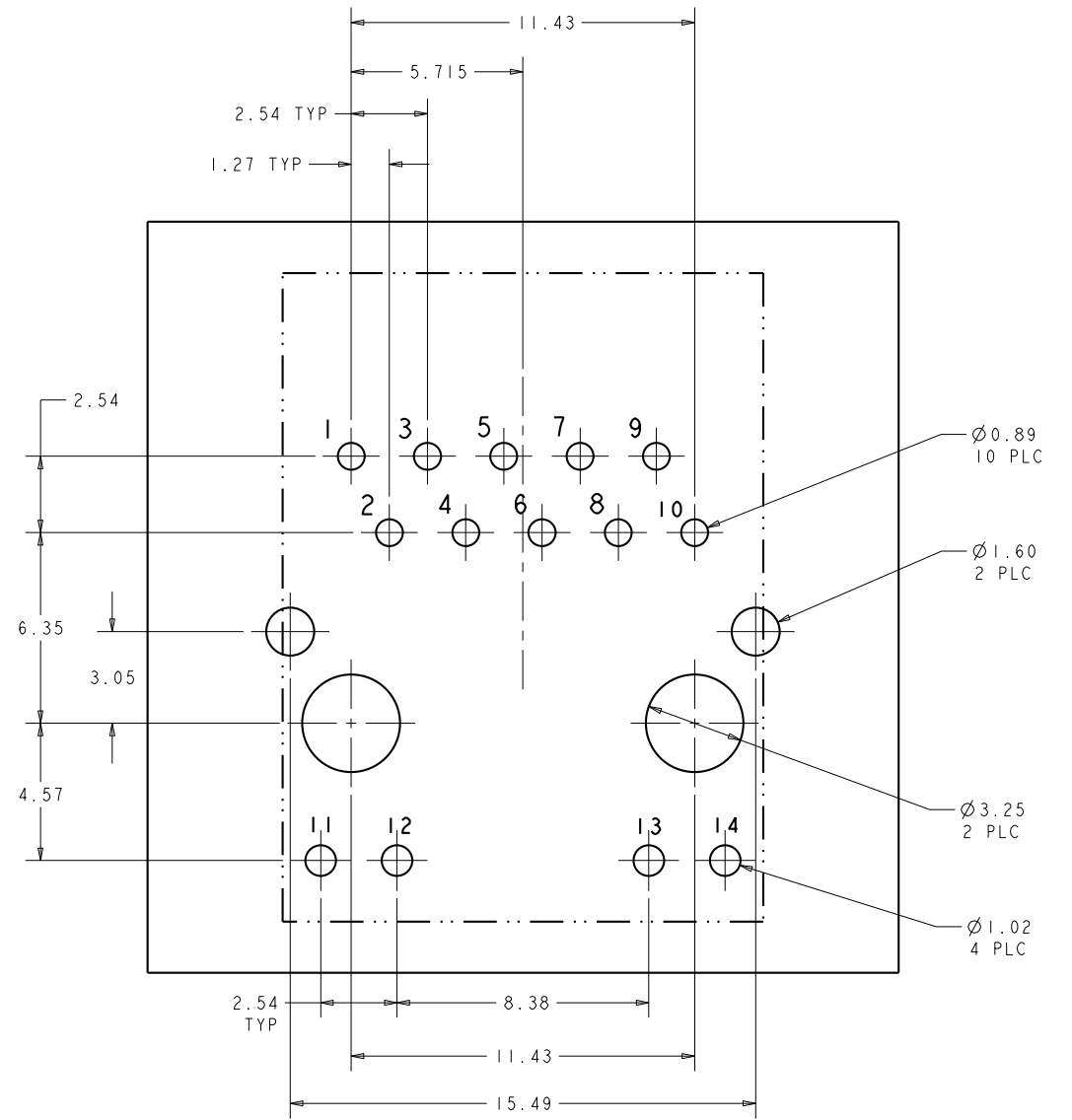
GRN/YEL	GRN/YEL	1840459-4
YELLOW	GREEN	1840459-3
GREEN	YELLOW	1840459-2
GREEN	GREEN	1840459-1
LED 1	LED 2	PART NUMBER

THIS DRAWING IS A CONTROLLED DOCUMENT.		DWN TOMMY REN 26FEB2008	 DONGGUAN CHINA	
DIMENSIONS: mm		CHK FRANK LIU 26FEB2008		
TOLERANCES UNLESS OTHERWISE SPECIFIED:		APVD TEDDY XIANG 26FEB2008		
0 PLC ±0.25 1 PLC ±0.25 2 PLC ±0.25 3 PLC ±0.25 4 PLC ±0.25 ANGLES ±° APPLICATION SPEC ±°		MODEL NAME MAGJACK		
PRODUCT SPEC 108-2100		DESC IXI, MAGJACK, VERTICAL 4G59ET, GIGABIT CIRCUIT, W/ LEDS		RESTRICTED TO
		SIZE A2	CAGE CODE C=1840459	DRAWING NO -
		CUSTOMER DRAWING		SCALE 3:1 SHEET 1 OF 2 REV D

# 4G59ET GIGABIT CIRCUIT $\triangle\triangle$

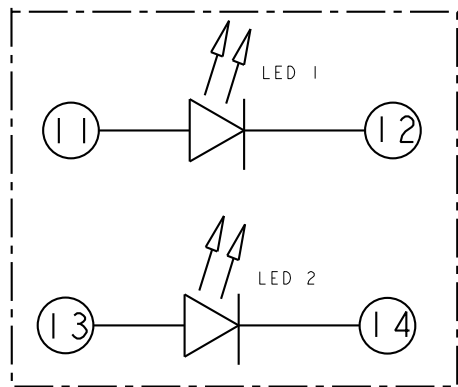


C1 = 1000pF, 2KV, CAPACITOR  
 C2 = 0.1uF, 50V, CAPACITOR  
 R1 - R4 = 75 ohms, RESISTORS  
 D1 - D2 = SRV05-4, TVS DIODE ARRAYS

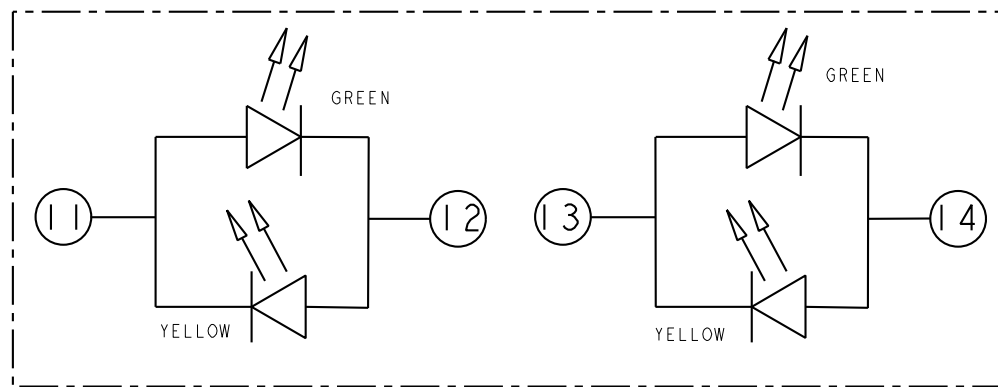



SUGGESTED PCB LAYOUT (TOL: ±0.05)  
(COMPONENT SIDE VIEW)

SINGLE COLOR LED



BI-COLOR LED



THIS DRAWING IS A CONTROLLED DOCUMENT.		DWN TOMMY REN 26FEB2008	 <b>trp</b> CONNECTOR a bel group DONGGUAN CHINA
DIMENSIONS: mm		CHK FRANK LIU 26FEB2008	
TOLERANCES UNLESS OTHERWISE SPECIFIED: 0 PLC ±0.25 1 PLC ±0.25 2 PLC ±0.25 3 PLC ±0.25 4 PLC ±0.25 ANGLES ±° APPLICATION SPEC		APVD TEDDY XIANG 26FEB2008	
PRODUCT SPEC 108-2100		MODEL NAME MAGJACK SINGLE NON-POE	
		DESC IXI, MAGJACK, VERTICAL 4G59ET, GIGABIT CIRCUIT, W/ LEDS	RESTRICTED TO
		SIZE A2	CAGE CODE C=1840459
		CUSTOMER DRAWING	SCALE 3:1 SHEET 2 OF 2 REV D