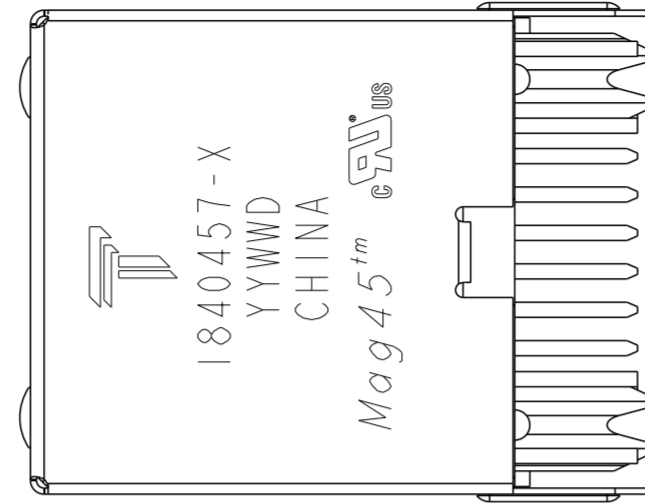
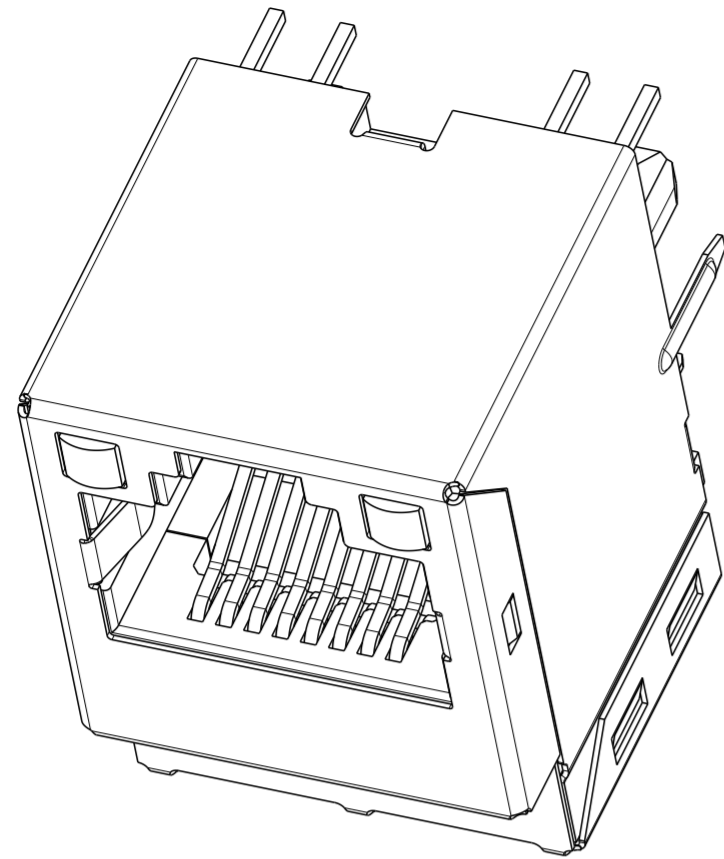


© COPYRIGHT TRP connector ALL RIGHTS RESERVED

REVISIONS

P	LTR	DESCRIPTION	DATE	DWN	APVD
4		LOGO CHANGE	27JUN2013	TY	KZ



1. MATERIALS

HOUSING: THERMOPLASTIC, BLACK, FLAMMABILITY RATED UL 94V-0
 SHIELD: BRASS, 0.20mm THICK, PREPLATED WITH MIN 0.76um SEMI-BRIGHT NICKEL POST DIPPED WITH 2.54um MIN SAC SOLDER AT GROUND PINS.
 CONTACT: PHOSPHOR BRONZE, WITH 1.27um MIN OVERALL NICKEL UNDERPLATE AND SELECTIVE 1.27um MIN GOLD PLATING AT MATING INTERFACE
 SOLDER TAIL: PHOSPHOR BRONZE, WITH 1.27um MIN OVERALL NICKEL UNDERPLATE AND PLATED WITH 2.54um MIN TIN
 LED: DIFFUSED EPOXY LENS, 0.50mm SQUARE CARBON STEEL WIREFRAME LEADS PREPLATED WITH 2.03um MIN SILVER OVER 1.02um MIN NICKEL OVER 1.02um MIN COPPER UNDERPLATE POST PLATED WITH 2.54um MIN TIN

2. MAGNETICS

-APPLICATION: 10/100/1000 BASE-T
 -IMPEDANCE: 100 OHMS
 -TURNS RATIO (CHIP:CABLE): 1:1 ALL FOUR PAIRS
 -OPEN CIRCUIT INDUCTANCE (OCL): 350uH MIN @100kHz, 0.1VRMS, 8mADC BIAS FROM 0°C TO 70°C, ALL FOUR PAIRS
 -ALL FOUR PAIRS BI-DIRECTIONAL
 -PERFORMANCE @ 25°C:
 INSERTION LOSS (IL): 1.1dB MAX FROM 0.5MHz TO 100MHz
 RETURN LOSS (RL): 18dB MIN FROM 0.5MHz TO 40MHz
 12-20LOG(f/80)dB MIN FROM 40.1MHz TO 100MHz
 CROSSTALK ATTENUATION: 35dB MIN FROM 0.5MHz TO 40MHz
 33-20LOG(f/50)dB MIN FROM 40.1MHz TO 100MHz
 COMMON MODE REJECTION RATIO (CMRR): 30dB MIN FROM 0.5MHz TO 100MHz
 -ISOLATION VOLTAGE: COMPLIES WITH IEEE802.3 2002, PARA 40.6.1.1, ITEM b.

3. THE MAGNETIC ARE SYMMETRICAL AND SUPPORT AUTO-MDIX OPERATION.

4. OPERATING TEMPERATURE: 0 - 70°C

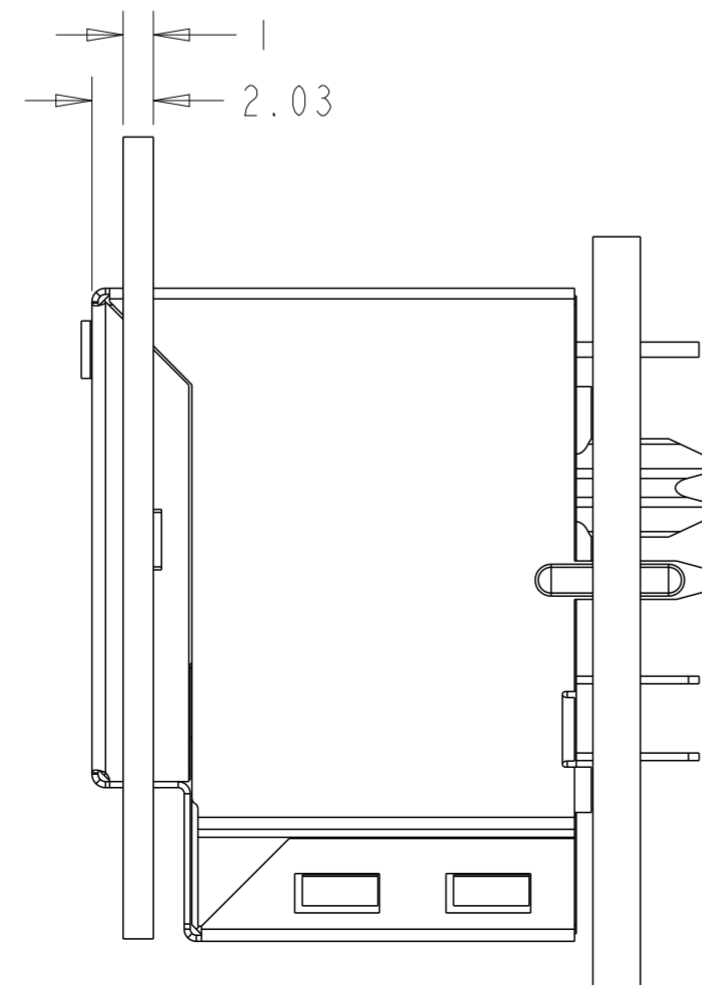
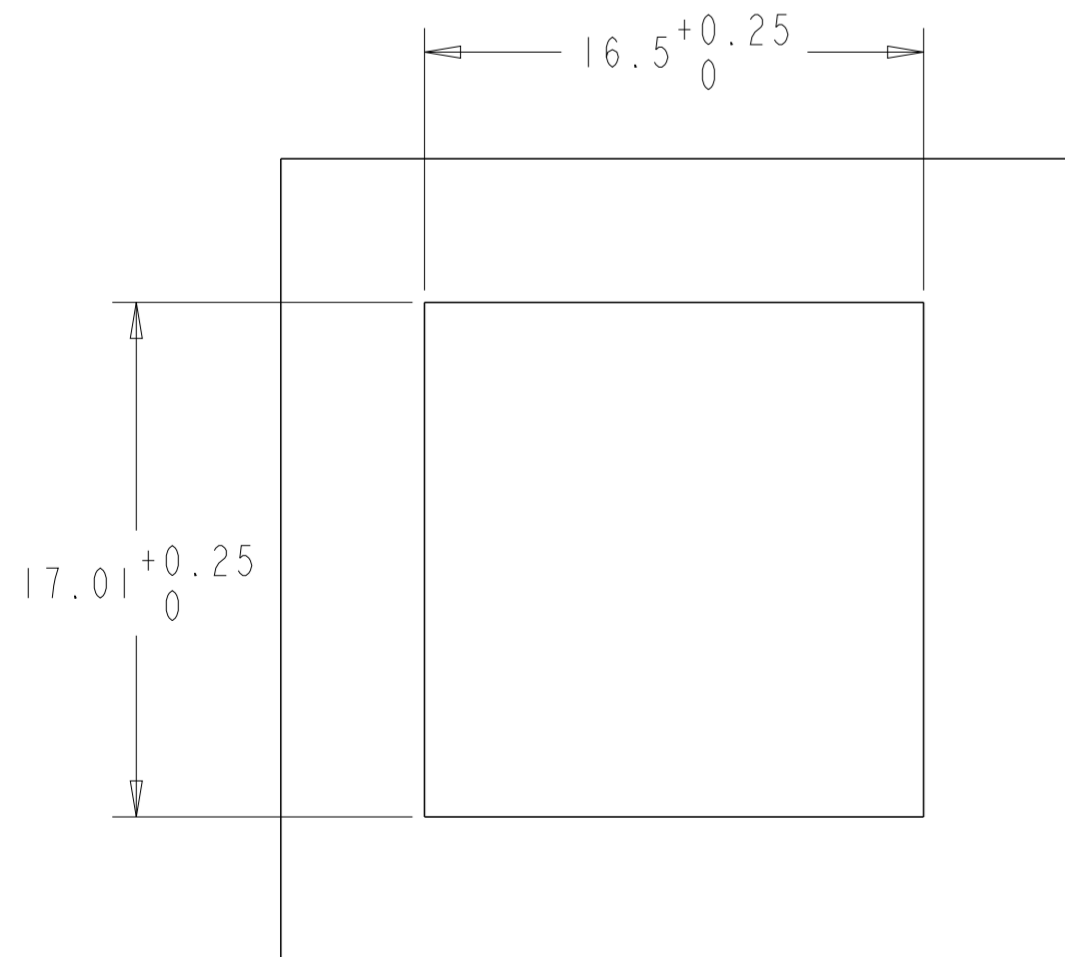
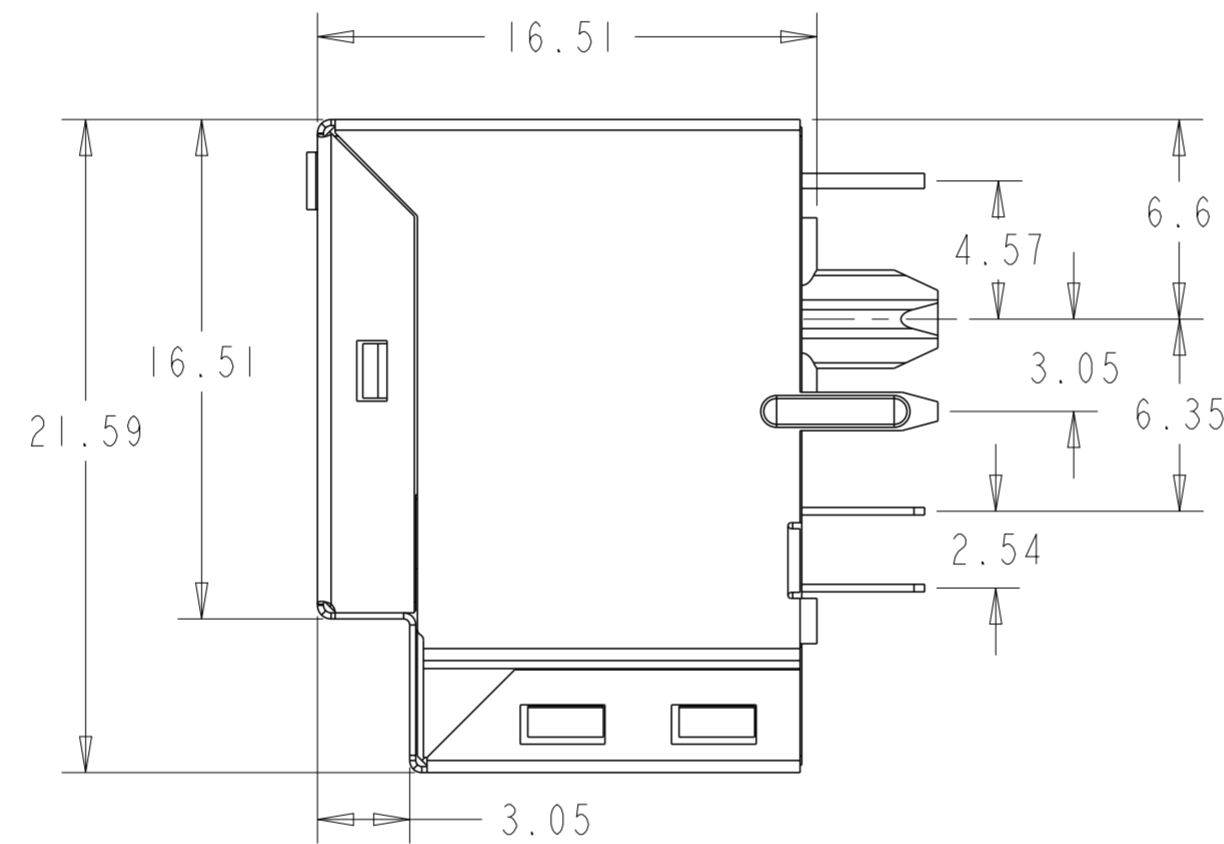
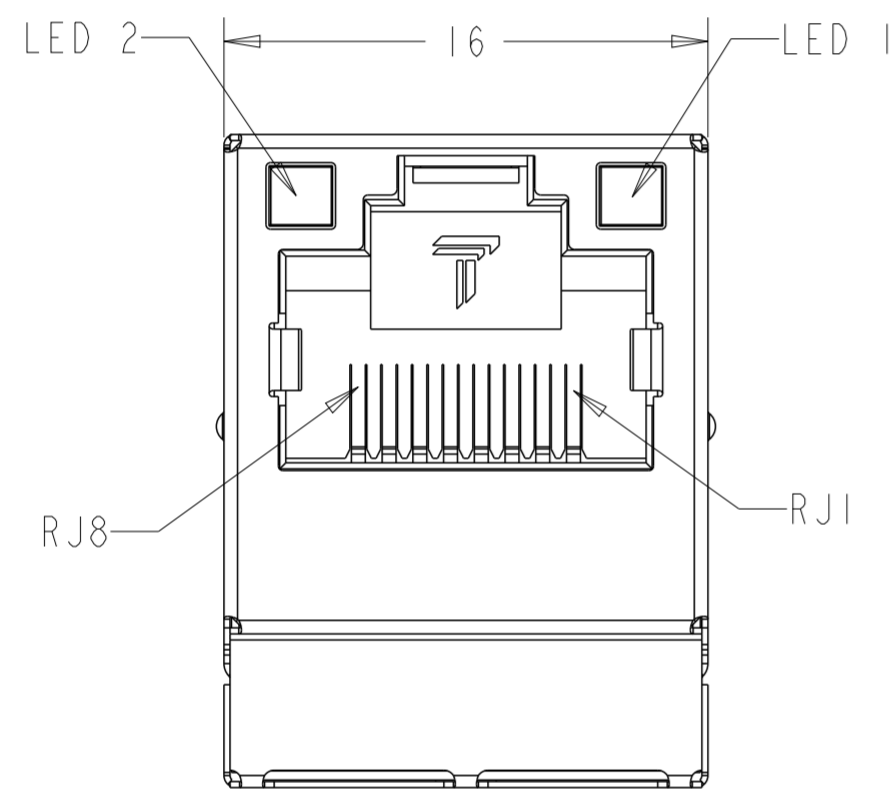
5. LED IS DRIVEN WITH CONSTANT CURRENT AT APPROX 20mA.

DOMINANT WAVELENGTH(λD)
 GREEN 568nm TYP.at IF=20mA
 YELLOW 588nm TYP.at IF=20mA

FORWARD VOLTAGE(VF):
 GREEN 2.2V TYP.at IF=20mA
 YELLOW 2.1V TYP.at IF=20mA

6. ALL DIMENSIONS TO BE NOMINAL UNLESS OTHERWISE NOTED

7. RJ45 CAVITY CONFORMS TO FCC RULES AND REGULATION PART 68 SUBPART F.

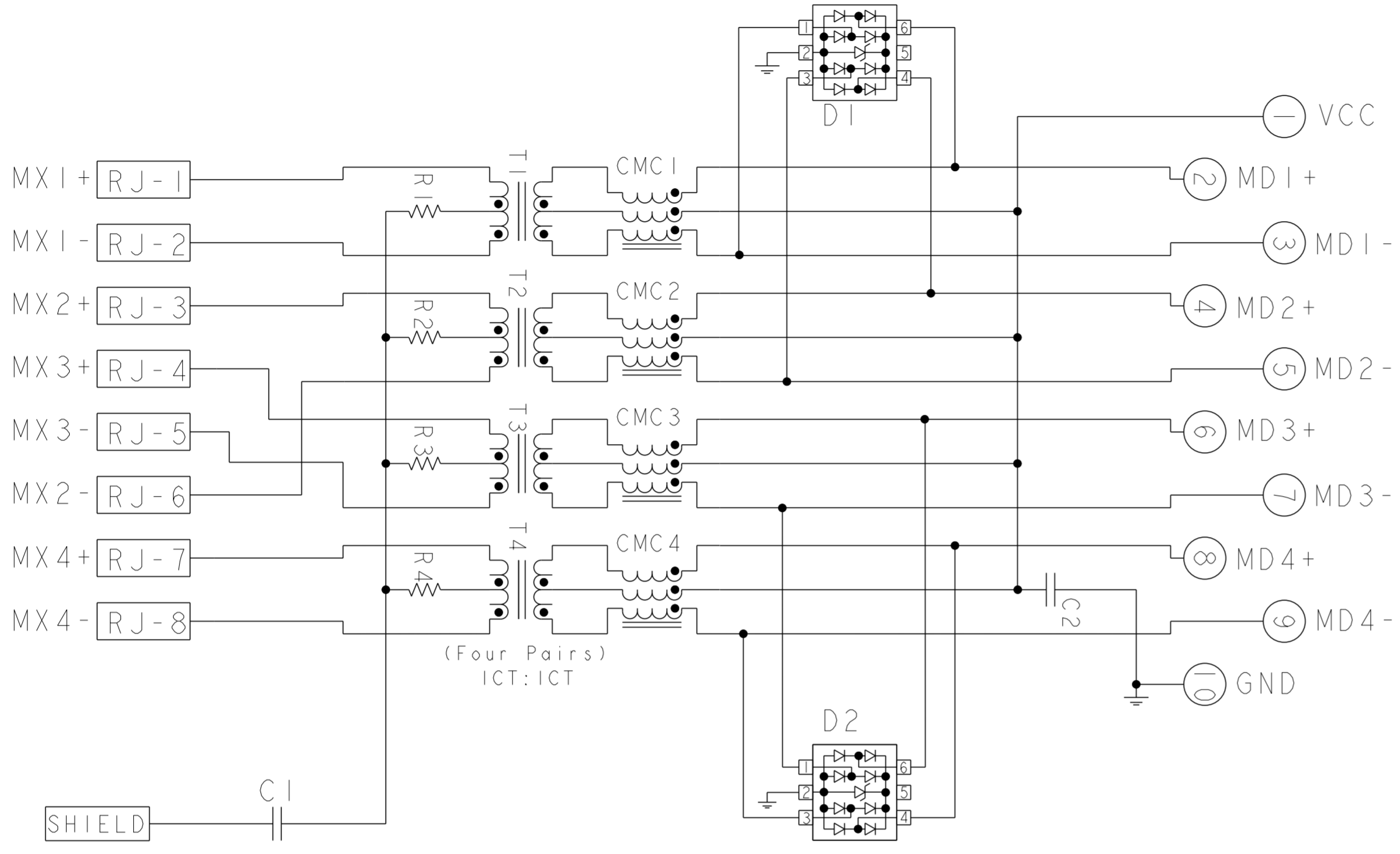


GRN/YEL	GRN/YEL	1840456-4
YELLOW	GREEN	1840456-3
GREEN	YELLOW	1840456-2
GREEN	GREEN	1840456-1
LED 1	LED 2	PART NUMBER

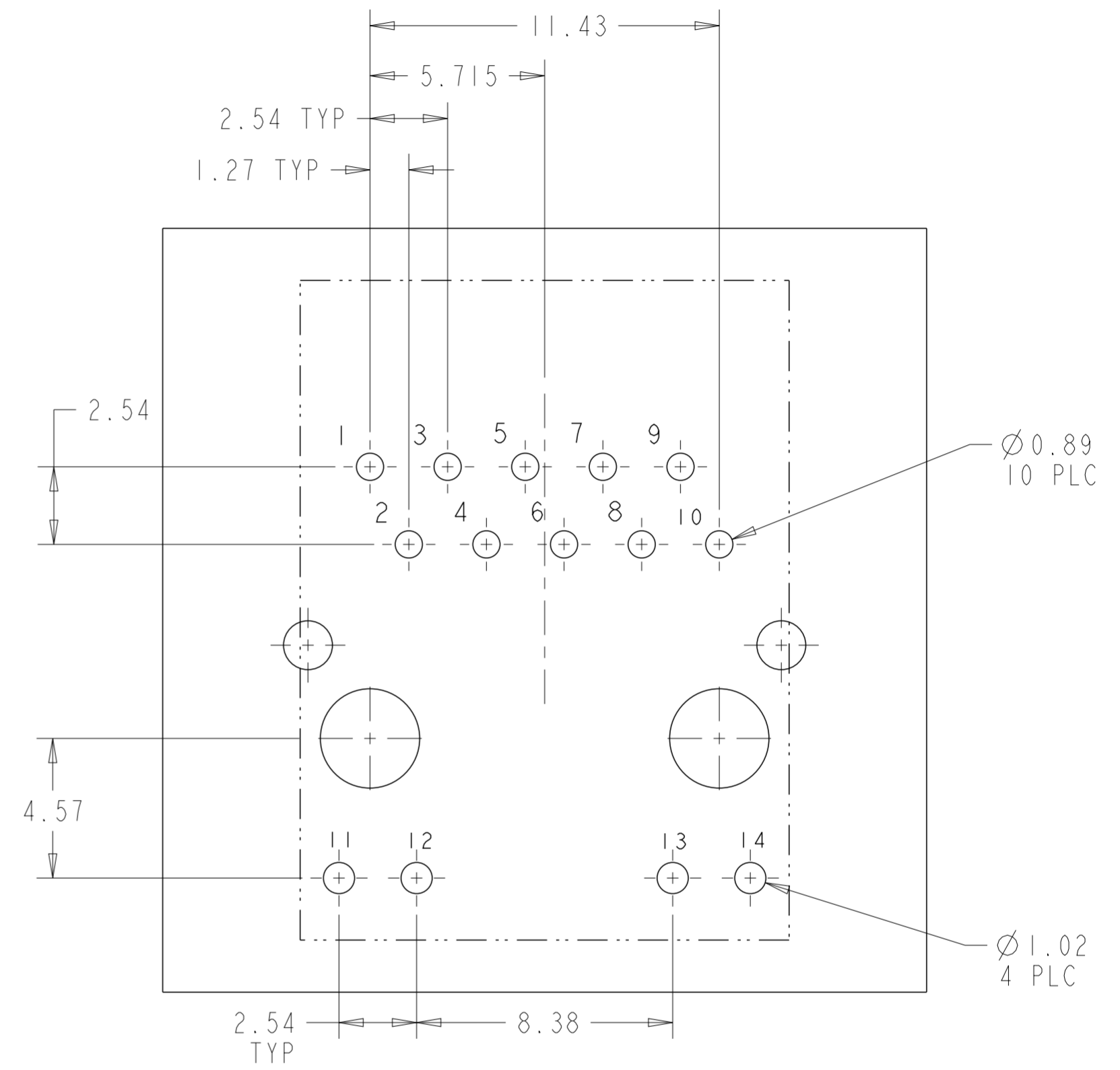
THIS DRAWING IS A CONTROLLED DOCUMENT.		DWN 26FEB2008 TOMMY REN	 TRP connector Dongguan China	
DIMENSIONS:		CHK 26FEB2008 FRANK LIU		
TOLERANCES UNLESS OTHERWISE SPECIFIED:		APVD 26FEB2008 TEDDY XIONG		
mm		PRODUCT SPEC		
		APPLICATION SPEC	NAME	1X1 MAG45(TM) MODULAR JACK, VERTICAL TYPE, 4G59 CIRCUIT, WITH LED
MATERIAL		WEIGHT	SIZE	A2
FINISH		CUSTOMER DRAWING	CAGE CODE	
		SCALE	DRAWING NO	RESTRICTED TO
		3:1	©-1840456	
		SHEET	1	OF
		2	REV	4

© COPYRIGHT TRP connector ALL RIGHTS RESERVED

4G59 GIGABIT CIRCUIT △△

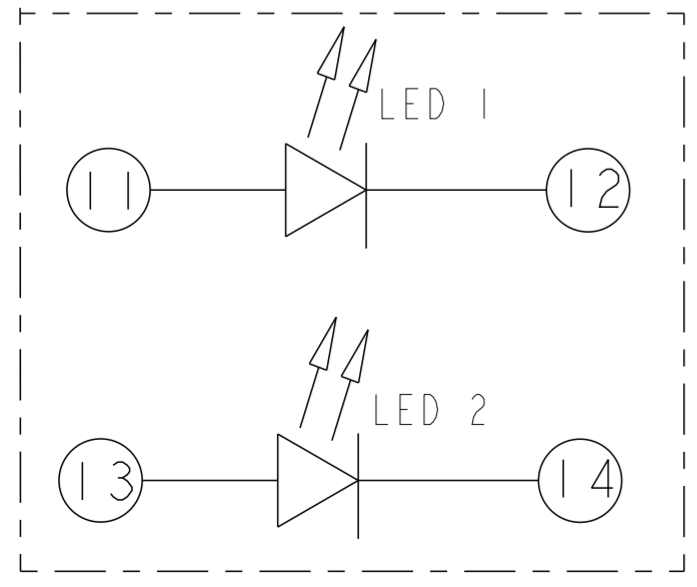


C1 = 1000pF, 2KV, CAPACITOR
 C2 = 0.1uF, 50V, CAPACITOR
 R1 - R4 = 75 ohms, RESISTORS
 D1 - D2 = SRV05-4, TVS DIODE ARRAYS

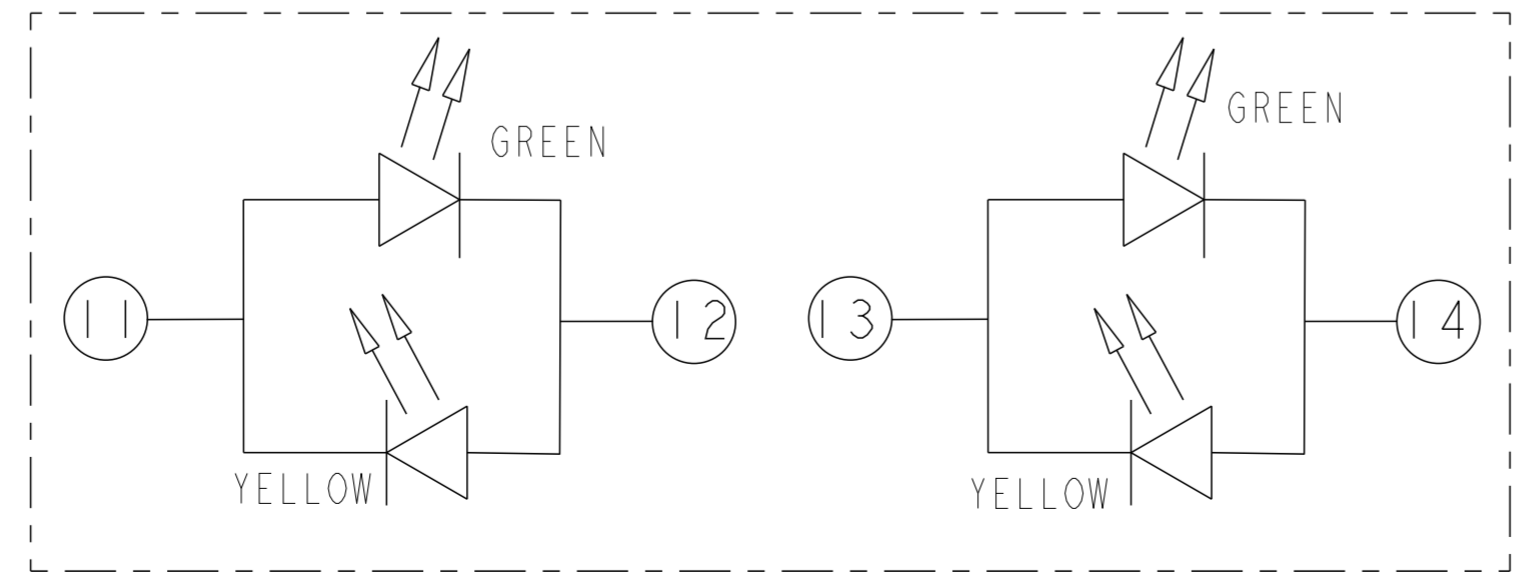


SUGGESTED PCB LAYOUT (TOL: ±0.05)
(COMPONENT SIDE VIEW)

SINGLE COLOR LED



BI-COLOR LED



THIS DRAWING IS A CONTROLLED DOCUMENT.		DWN: 26FEB2008 TOMMY REN	 TRP connector Dongguan China
DIMENSIONS: mm		CHK: 26FEB2008 FRANK LIU	
TOLERANCES UNLESS OTHERWISE SPECIFIED:		APVD: 26FEB2008 TEDDY XIONG	
0 PLC ±0.25 1 PLC ±0.25 2 PLC ±0.25 3 PLC ±0.25 4 PLC ± ANGLES ± FINISH ±		PRODUCT SPEC: -	NAME: 1X1 MAG45(TM) MODULAR JACK, VERTICAL TYPE, 4G59 CIRCUIT, WITH LED
MATERIAL: -		APPLICATION SPEC: -	SIZE: A2
		WEIGHT: -	CAGE CODE: -
		CUSTOMER DRAWING	DRAWING NO: C-1840456
		SCALE: 3:1	RESTRICTED TO: -
		SHEET: 2 OF 2	REV: 4