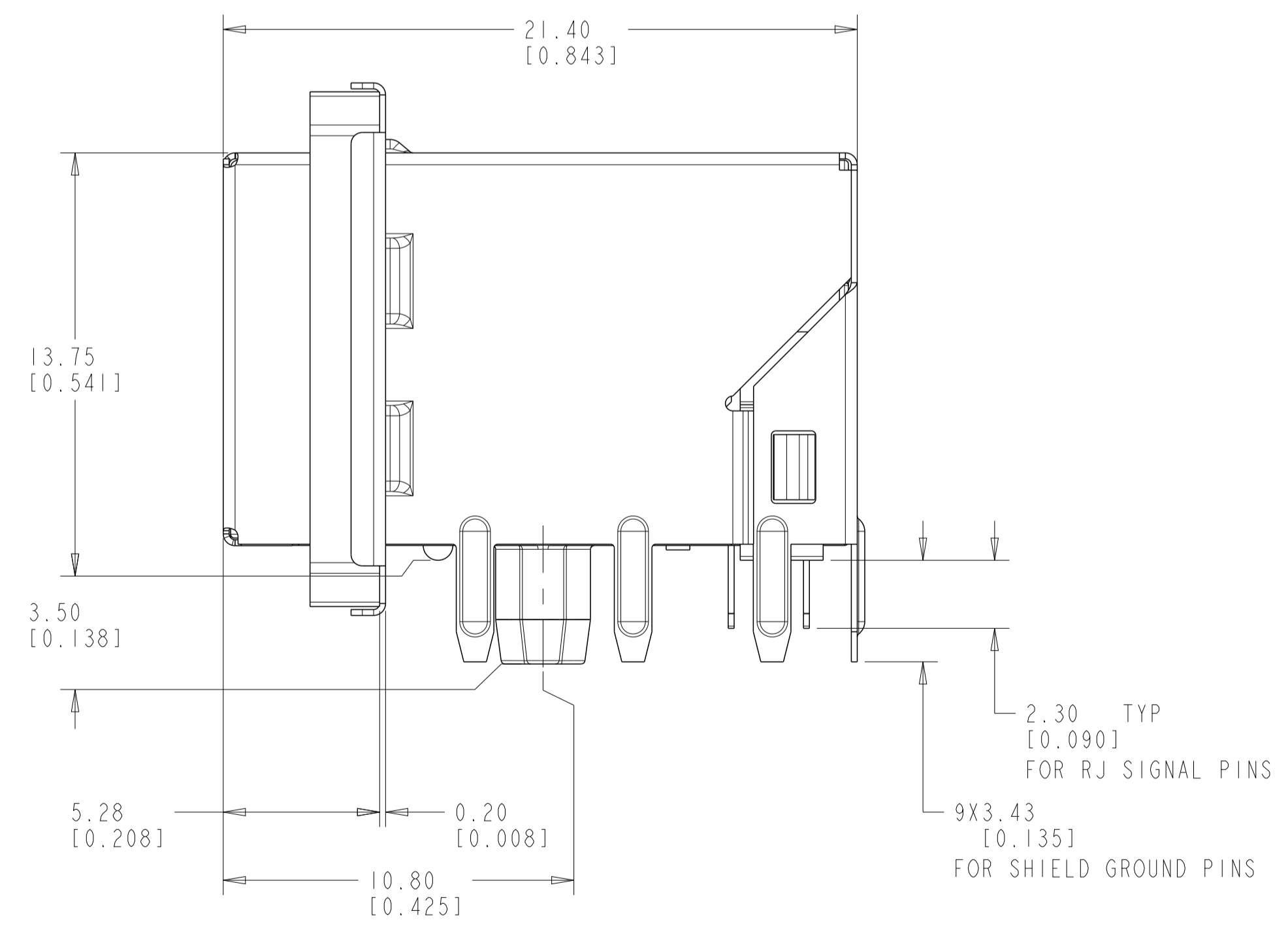
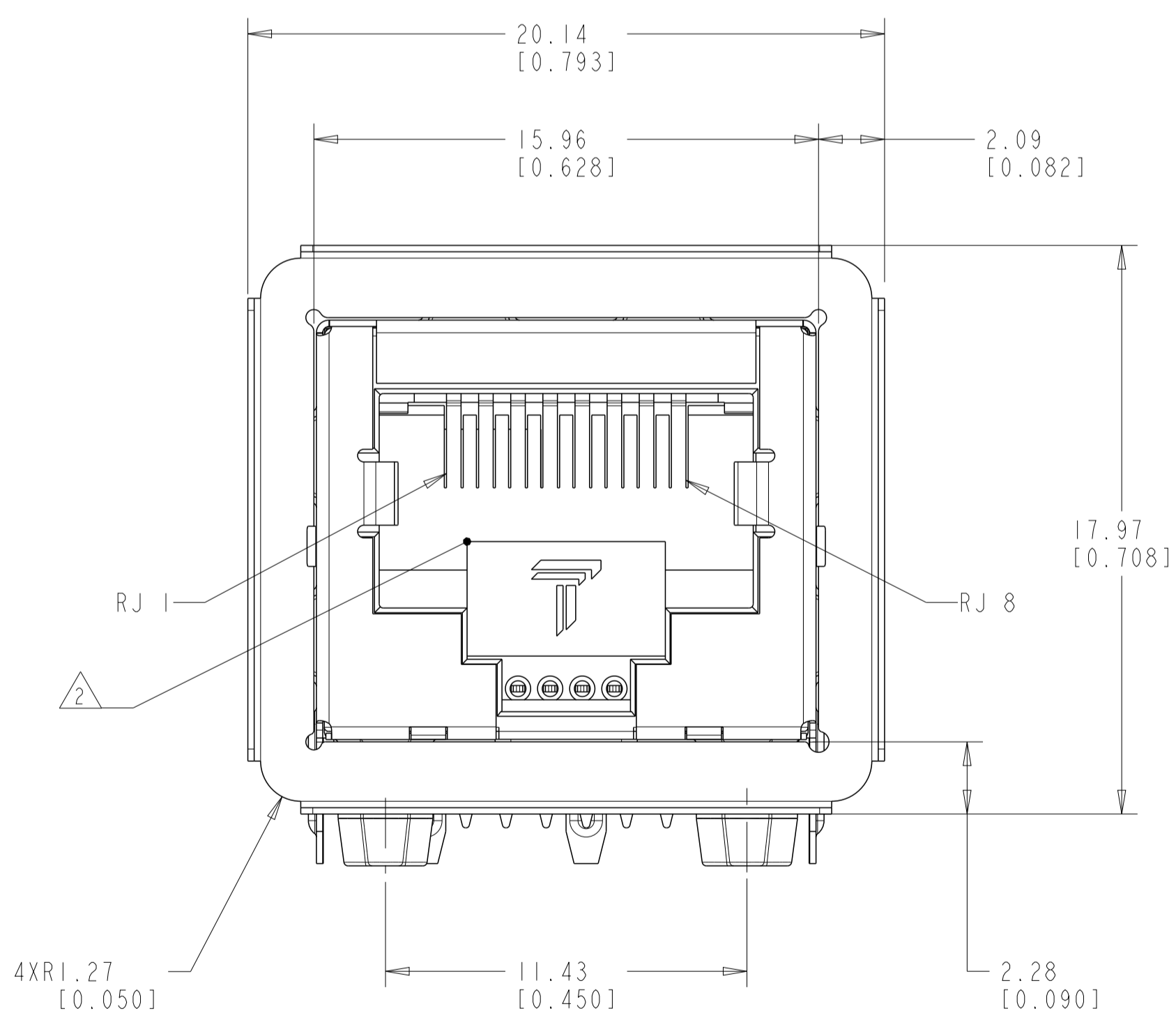
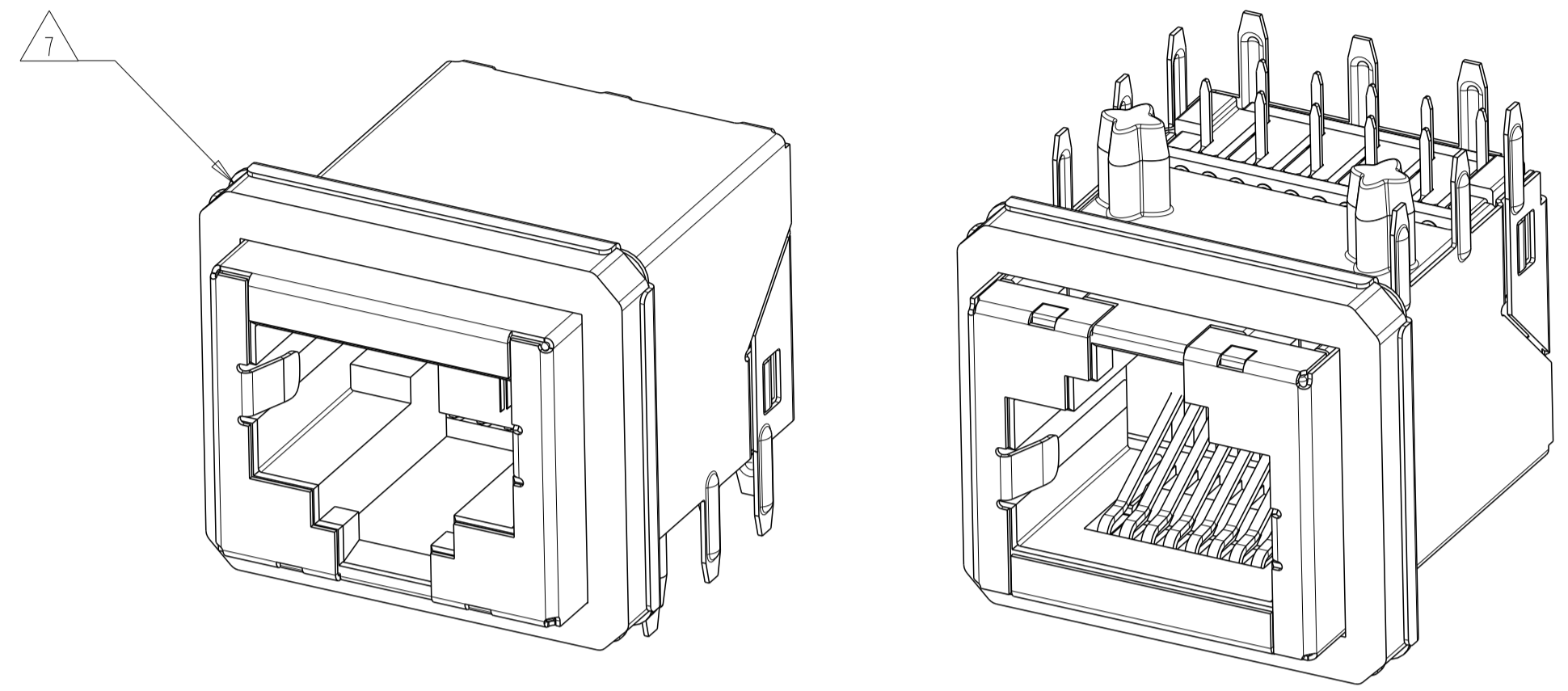
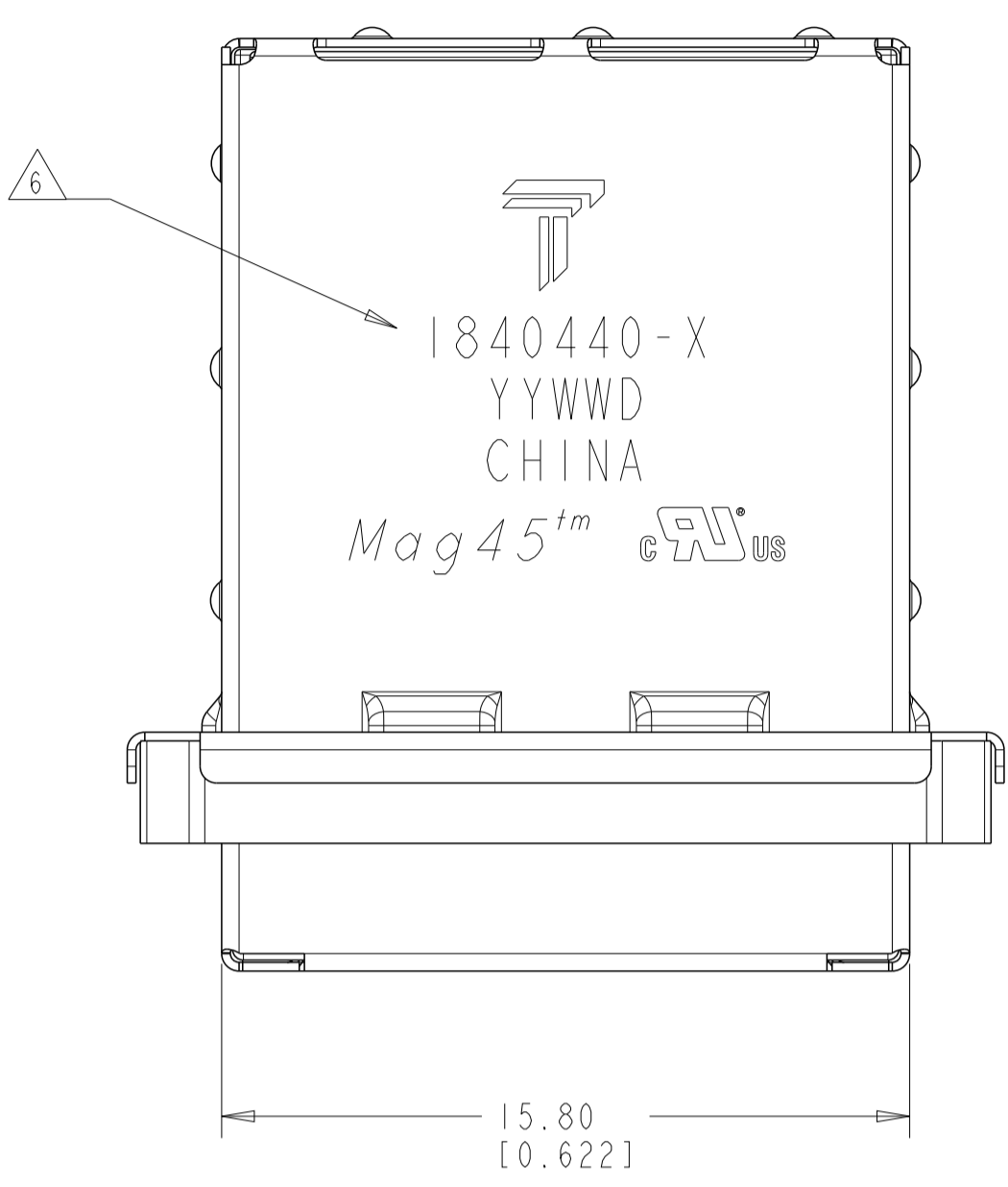


| REVISIONS | | | | |
|-----------|-----|-------------|-----------|----------|
| P | LTN | DESCRIPTION | DATE | OWN APVD |
| B | | LOGO CHANGE | 07APR2013 | PP KZ |

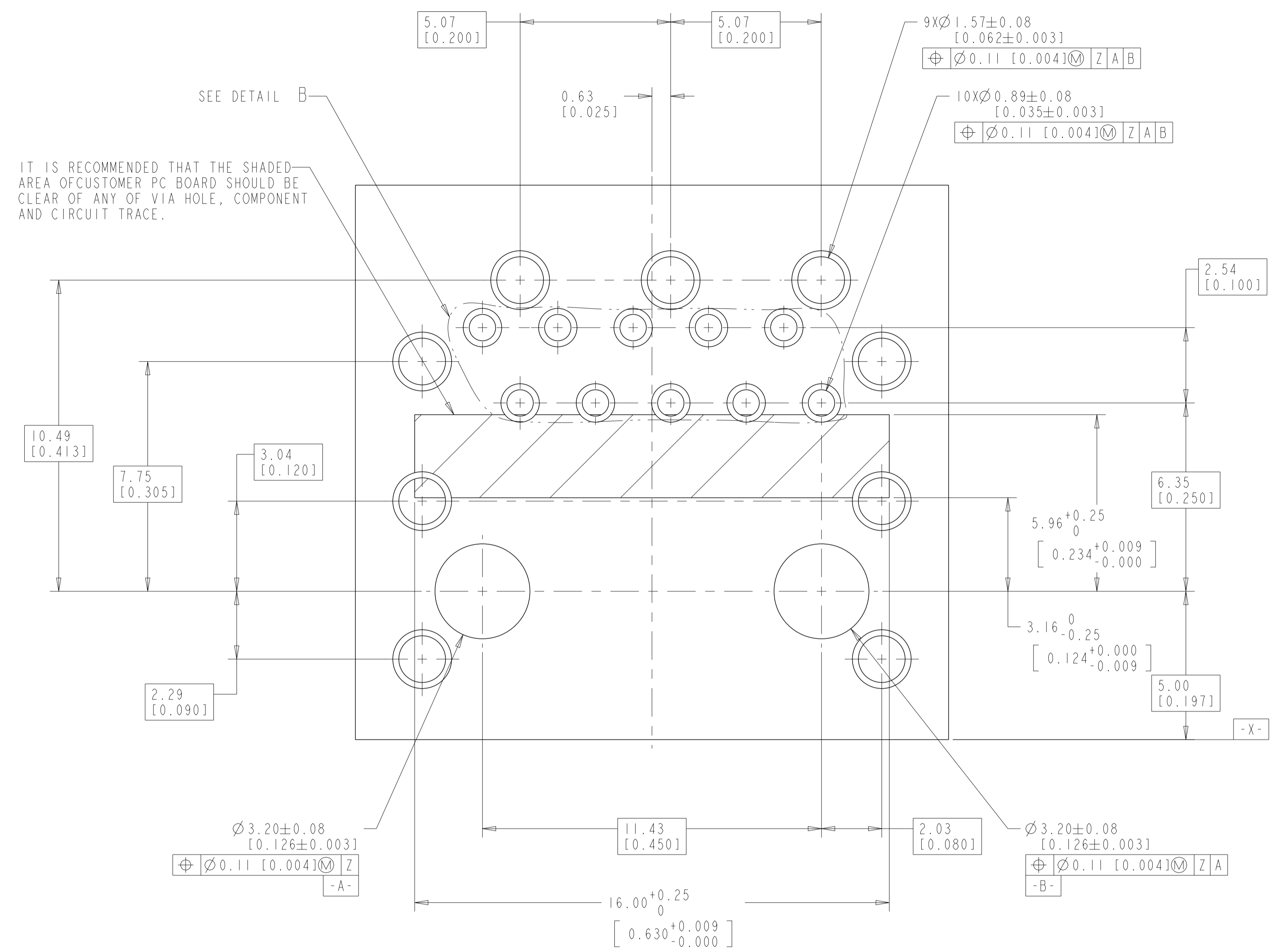
NOTES:

- 1 MATERIALS
 - HOUSING: THERMOPLASTIC, FLAMMABILITY RATING UL 94V-0.
 - SHIELD: BRASS C26800 0.008 INCH THICK, PREPLATED WITH 30μINCH MIN SEMI-BRIGHT NICKEL. SOLDER TABS POST DIPPED WITH 100μINCH MIN SAC SOLDER.
 - CONTACTS: PHOSPHOR BRONZE 0.012 X 0.018", 50μINCH MIN OVERALL NICKEL UNDERPLATE, WITH SELECTIVE 50μINCH MIN HARD GOLD FINISH PLATE.
 - SOLDER TAILS: 100μINCH MIN MATTE TIN AND/OR SAC SOLDER DIP.
 - EMI GASKET: SILVER PLATED URETHANE FOAM GASKET.
- 2 RJ45 JACK CAVITY CONFORMS TO FCC RULES AND REGULATIONS PART 68 SUB PART F.
- 3 MAGNETICS
 - APPLICATION: 10/100/1000 BASE-T, EXTENDED TEMPERATURE
 - IMPEDANCE: 100 OHMS
 - TURNS RATIO (CHIP:CABLE): 1:1 ALL FOUR PAIRS
 - OPEN CIRCUIT INDUCTANCE (OCL): 350uH MIN. @100kHz, 0.1VRMS, 8mADC BIAS FROM -40°C TO +85°C, ALL FOUR PAIRS
 - ALL FOUR PAIRS BI-DIRECTIONAL
 - PERFORMANCE @ 25°C:
 - INSERTION LOSS (IL): 1.1dB MAX. FROM 0.5MHz TO 100MHz
 - RETURN LOSS (RL): 18dB MIN FROM 0.5MHz TO 40MHz
 - 12-20LOG(f/80)dB MIN. FROM 40.1MHz TO 100MHz
 - CROSSTALK ATTENUATION: 35dB MIN. FROM 0.5MHz TO 40MHz
 - 33-20LOG(f/50)dB MIN. FROM 40.1MHz TO 100MHz
 - COMMON MODE REJECTION RATIO (CMRR): 30dB MIN. FROM 0.5MHz TO 100MHz
 - ISOLATION VOLTAGE: 2250VDC FOR 60 SECONDS WITH A RISE TIME OF 500 V/SEC
- 4. OPERATING TEMPERATURE: FROM -40°C TO +85°C.
- 5 INDICATED MAGNETIC CONNECTIONS ARE SYMMETRICAL TO SUPPORT AUTO-MDI/MDIX.
- 6 TRP CONNECTOR LOGO, PART NUMBER, DATE CODE, COUNTRY OF ORIGIN AND AGENCY APPROVAL MARKING IN APPROXIMATE LOCATION SHOWN.
- 7 EMI GASKET.
- 8 NOMINAL GASKET DEFLECTION.
- 9. THIS PART IS RECOMMENDED FOR WAVE SOLDERING PROCESS, PREHEAT TEMPERATURE IS 120°C TO 160°C, 120 SECONDS TO 180 SECONDS, PEAK WAVE SOLDERING TEMPERATURE IS 260°C MAX, 10 SECONDS MAX.

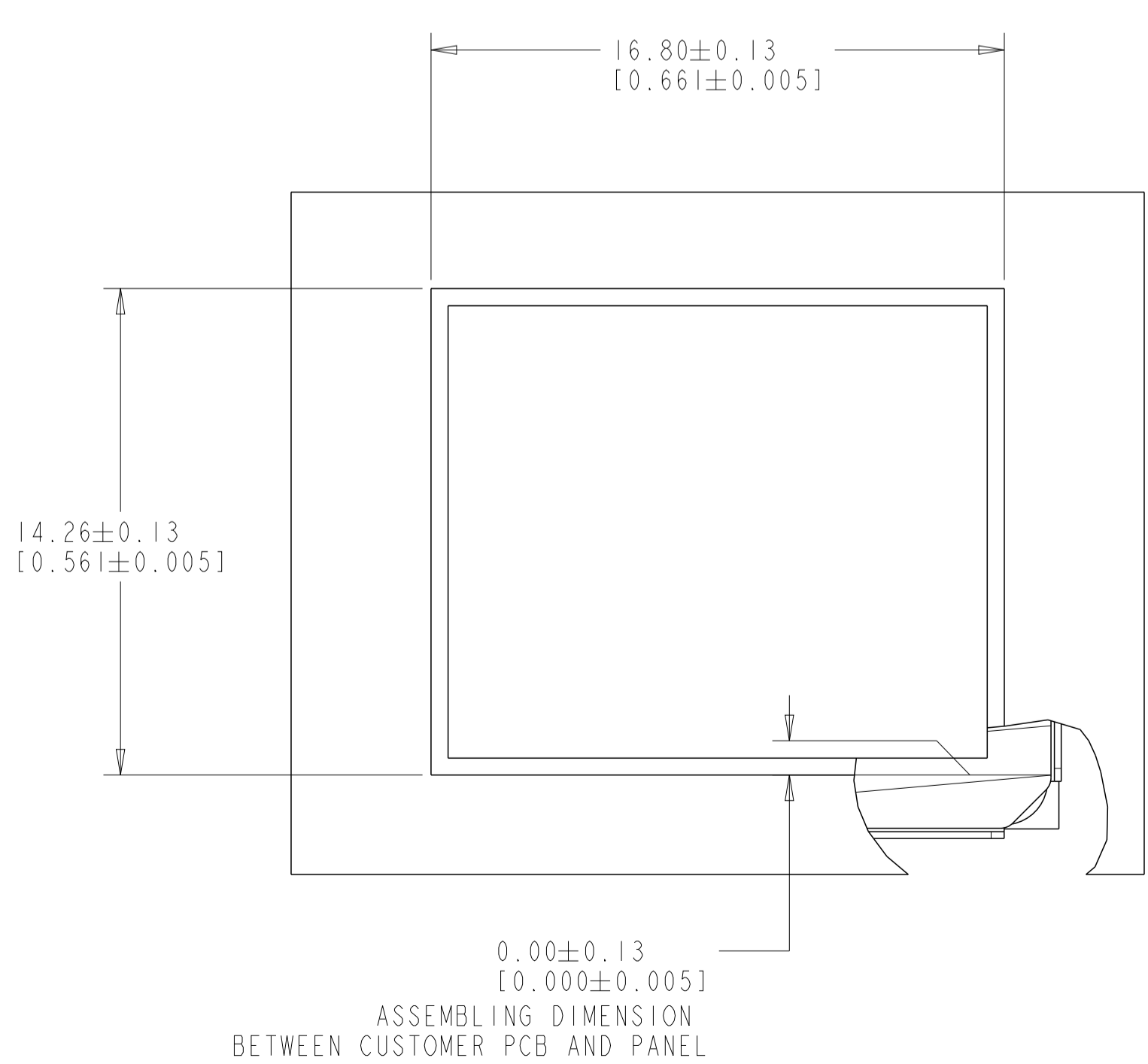


1840440-1
PART NUMBER

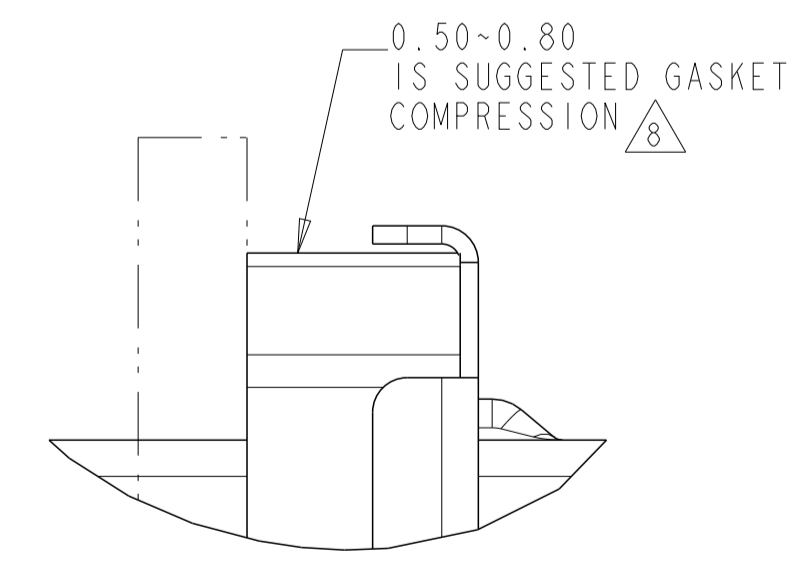
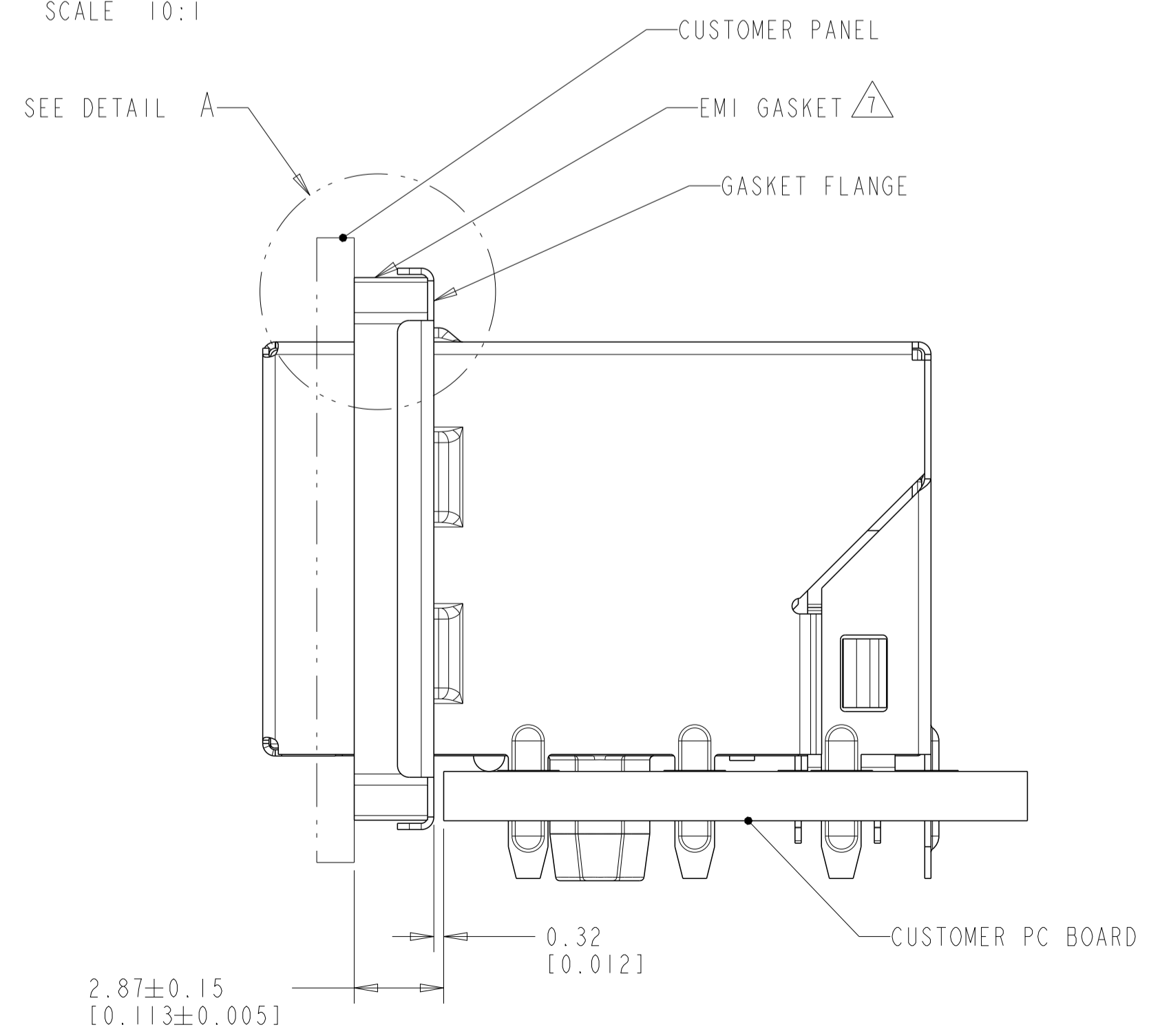
| | | | | |
|----------------------------------------|-------------|-----------------------------|-------------------|---------------------------------|
| THIS DRAWING IS A CONTROLLED DOCUMENT. | | OWN: SKY ZHAO 05AUG2009 | | TRP connector Dongguan China |
| DIMENSIONS: mm | | CHK: TONY YUAN 05AUG2009 | | PRODUCT SPEC: 108-104004 |
| TOLERANCES UNLESS OTHERWISE SPECIFIED: | | APVD: KE LITH ZHU 05AUG2009 | APPLICATION SPEC: | SIZE: A1 |
| 0 PLC ±0.25 | 1 PLC ±0.25 | 2 PLC ±0.25 | 3 PLC ±0.25 | 4 PLC ±0.25 |
| MATERIAL: FINISH: | | WEIGHT: | CAGE CODE: 00779 | DRAWING NO: 1840440 |
| CUSTOMER DRAWING | | SCALE: 4:1 | SHEET: 1 | OF: 2 |
| | | | | REV: B |



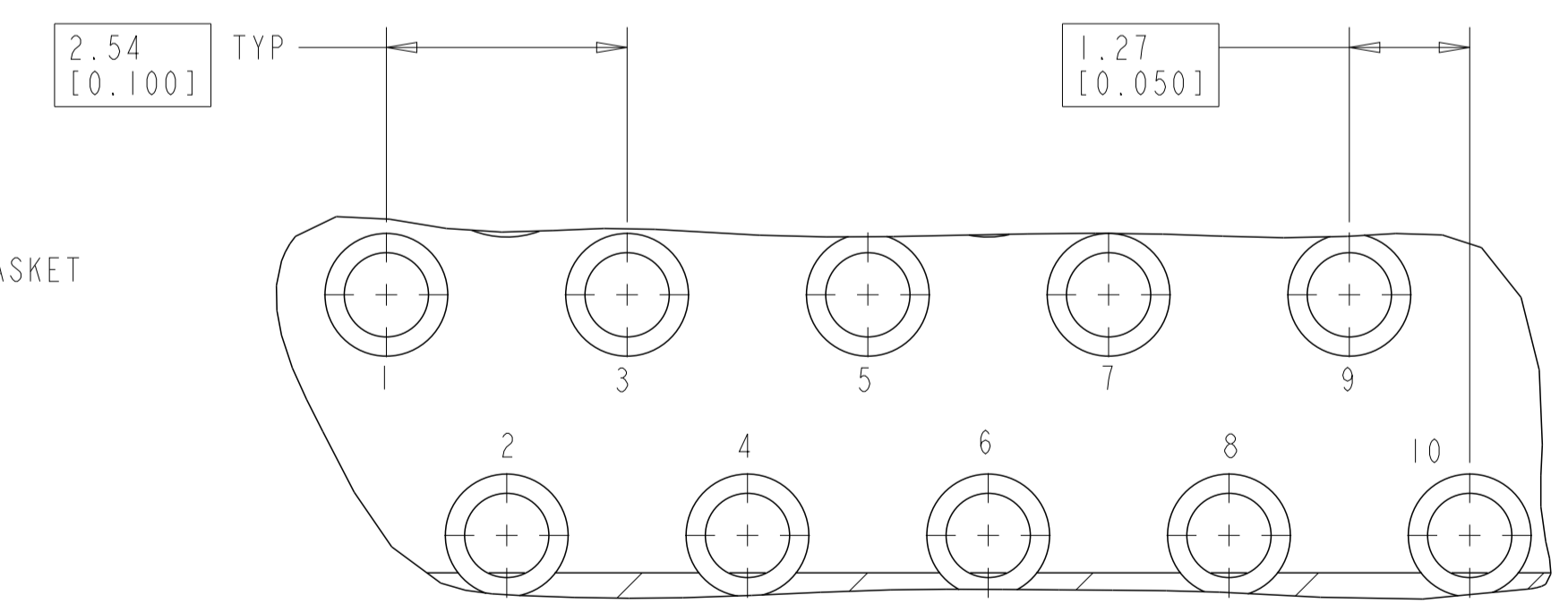
SUGGESTED PCB LAYOUT
 COMPONENT SIDE
 SCALE 10:1



ASSEMBLING DIMENSION
 BETWEEN CUSTOMER PCB AND PANEL

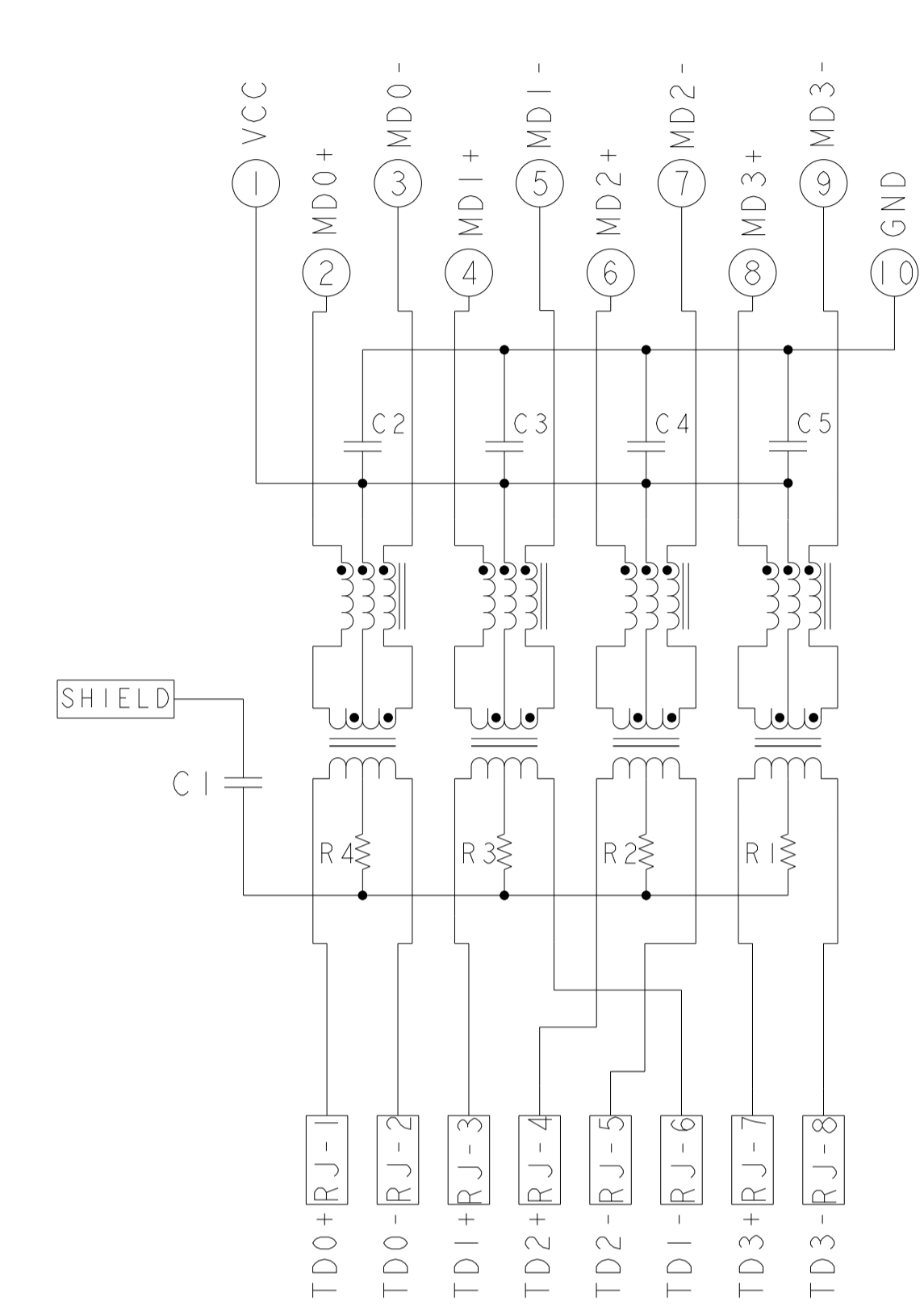


DETAIL A
 SCALE 12:1



DETAIL B
 SCALE 14:1

4G46ETPI GIGABIT CIRCUIT



C1=1000pF, 2kV CAPACITOR
 R1-R4=75 Ohms, 1/16W RESISTORS
 C2-C5=0.1uF, 50V CAPACITORS

| | | | | |
|----------------------------------------|--|------------------------------|------------------|--------------------------------------------------------------|
| THIS DRAWING IS A CONTROLLED DOCUMENT. | | OWN: SKY ZHAO 05AUG2009 | | TRP connector Dongguan China |
| DIMENSIONS: mm | | CHK: TONY YUAN 05AUG2009 | | NAME: 1X1 MAG45(TM), MODULAR JACK, 4G46ETPI GIGABIT CIRCUIT. |
| TOLERANCES UNLESS OTHERWISE SPECIFIED: | | APP'D: KE LITH ZHU 05AUG2009 | SIZE: A1 | RESTRICTED TO |
| 0 PLC ±0.25 | | PRODUCT SPEC: 108-104004 | CAGE CODE: 00779 | DRAWING NO: 1840440 |
| 1 PLC ±0.25 | | APPLICATION SPEC: | SCALE: 4:1 | SHEET: 2 OF 2 |
| 2 PLC ±0.25 | | WEIGHT: | REV: B | |
| 3 PLC ±0.25 | | | | |
| 4 PLC ±0.25 | | | | |
| ANGLES #2 | | | | |
| FINISH: | | | | |
| MATERIAL: | | | | |
| CUSTOMER DRAWING | | | | |