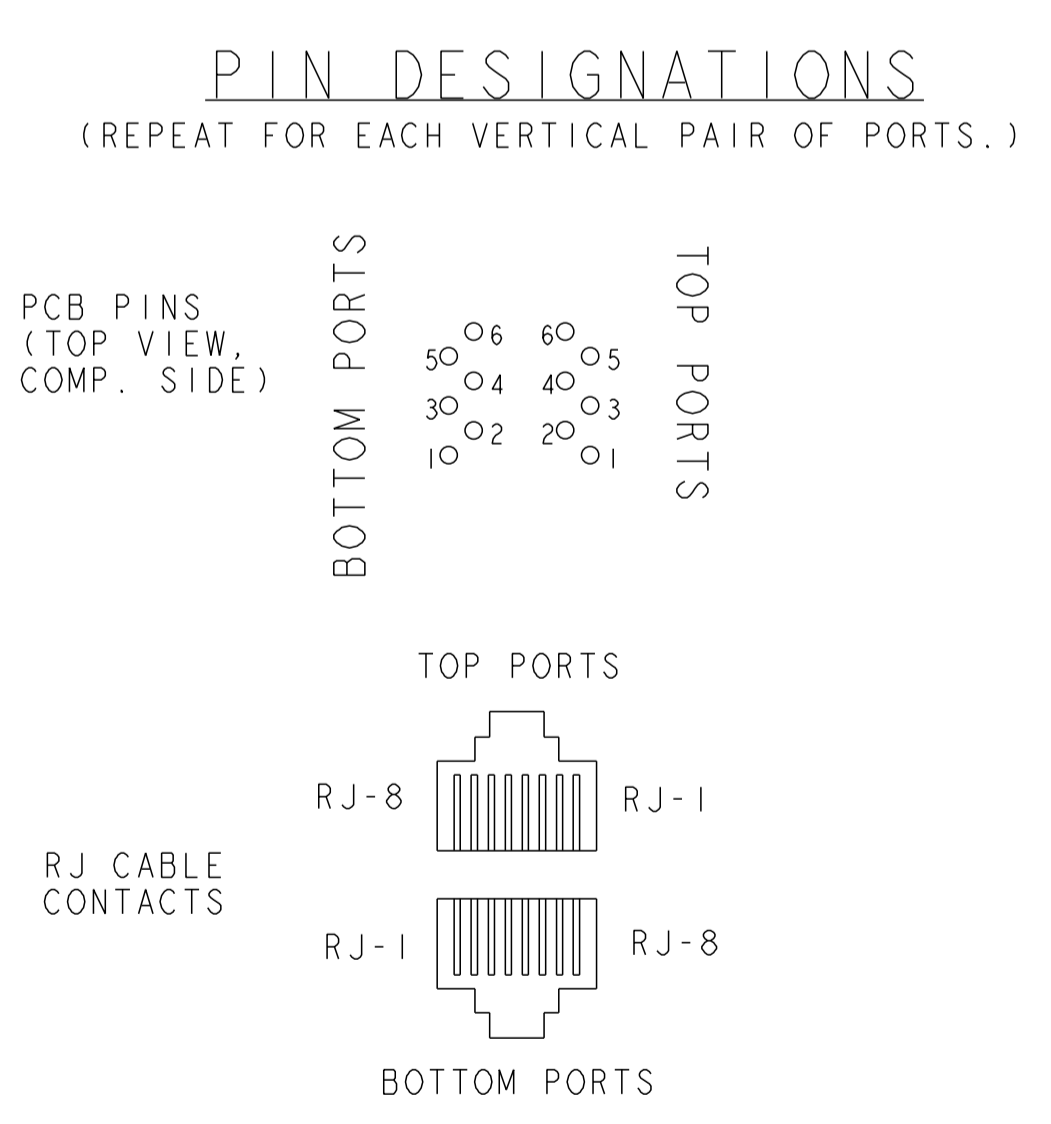
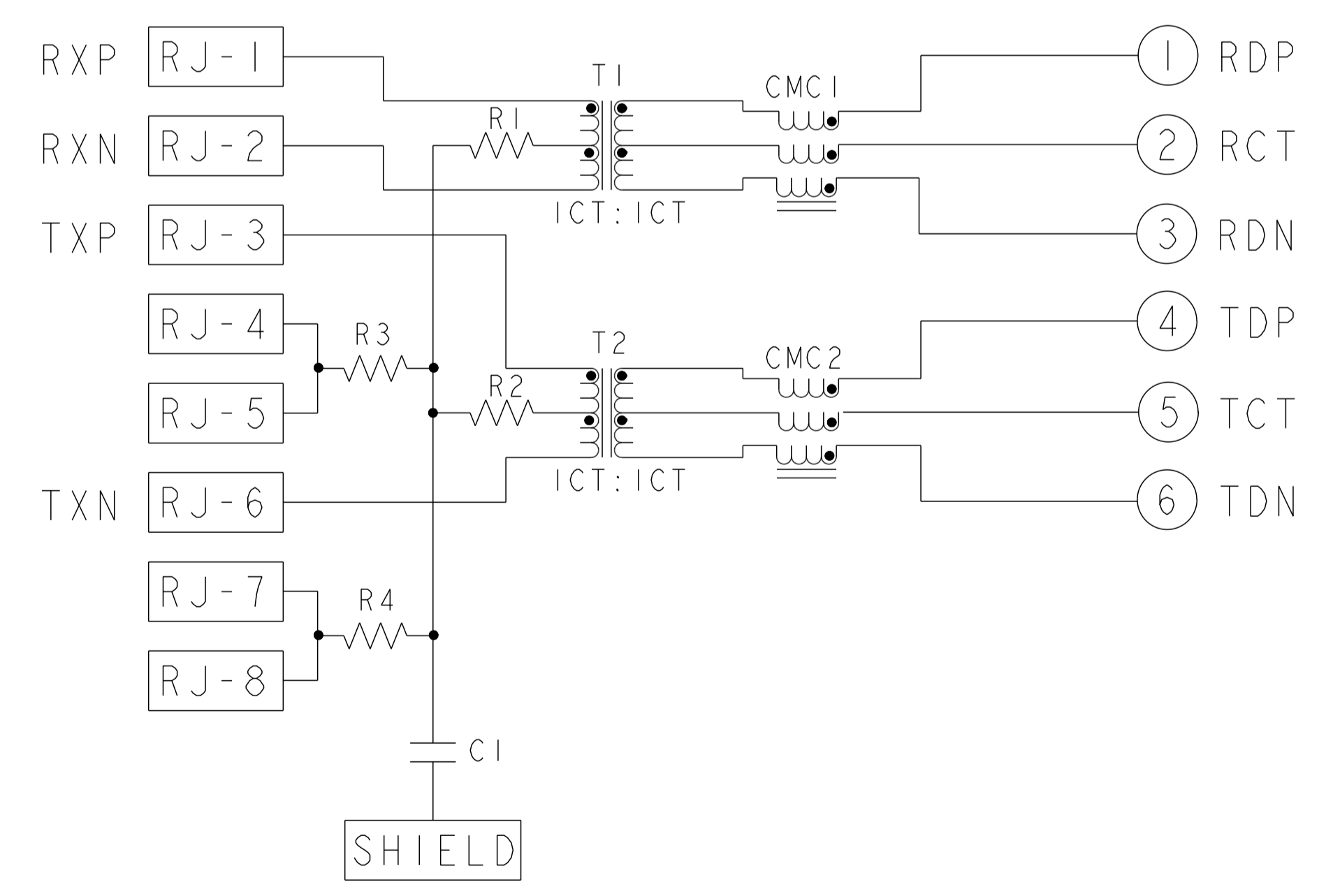


- MATERIALS:**
 PLASTIC HOUSING: BLACK, THERMOPLASTIC FLAMMABILITY RATING UL 94V-0
 SHIELD: BRASS, PREPLATED WITH 0.76um MIN SEMI-BRIGHT NICKEL, POST DIPPED WITH 2.54um MIN SAC SOLDER ON SOLDER TAILS,
 CONTACTS: PHOSPHOR BRONZE, 1.27um MIN OVERALL NICKEL UNDERPLATE, WITH SELECT 0.05um MIN GOLD OVER 0.76um MIN PALLADIUM-NICKEL AT MATING INTERFACE AND 2.54um MIN MATTE TIN ON SOLDER TAILS.
 LED: DIFFUSED EPOXY LENS, CARBON STEEL LEAD FRAME TAILS OF LED ARE PREPLATED WITH 2.03um MIN SILVER OVER 1.02um MIN NICKEL UNDERPLATE OVER 1.02um MIN COPPER UNDERPLATE. POST-PLATED WITH 2.54um MIN MATTE TIN AND/OR SAC SOLDER DIP OR PURE TIN SOLDER DIP
 ALL PC BOARDS: HIGH TEMPERATURE PCB, TG>170°C
- MAGNETICS**
 APPLICATION: 10/100 BASE-T
 IMPEDANCE: 100 OHMS
 TURNS RATIO (CHIP:CABLE): TX = 1:1, RX = 1:1
 OPEN CIRCUIT INDUCTANCE (OCL): 350uH MIN @100kHz, 0.1VRMS, 8mADC BIAS FROM 0°C TO 70°C, TX AND RX
 PERFORMANCE @ 25°C:
 INSERTION LOSS (IL): 1.1dB MAX FROM 0.5MHz TO 100MHz
 RETURN LOSS (RL): 18dB MIN FROM 0.5MHz TO 30MHz
 18-20LOG(f/30)dB MIN FROM 30.1MHz TO 60MHz
 12dB MIN FROM 60.1MHz TO 80MHz
 CROSSTALK ATTENUATION: 35dB MIN FROM 0.5MHz TO 40MHz
 33-20LOG(f/50)dB MIN FROM 40.1MHz TO 100MHz
 COMMON MODE REJECTION RATIO (CMRR): 30dB MIN FROM 0.5MHz TO 100MHz
 ISOLATION VOLTAGE: 2250VDC(MAX) FOR 60 SECONDS WITH A RISE TIME OF 500V/SEC AND WITH ALL PORTS CONNECTED.
- PART NUMBER, DATE CODE AND COUNTRY OF ORIGIN ARE LOCATED IN APPROXIMATE AREA SHOWN.
- TRP LOGO AND AGENCY APPROVAL LOGO ARE LOCATED IN APPROXIMATE AREA SHOWN.
- OPERATING TEMP: FROM 0°C TO +70°C.
- RJ45 CAVITY CONFORMS TO FCC RULES AND REGULATION PART 68 SUBPART F.
- INDICATED MAGNETIC CONNECTIONS ARE SYMMETRICAL AND SUPPORT AUTO-MDI/MDIX.
- DATUM AND BASIC DIMENSION ESTABLISHED BY CUSTOMER.
- BASIC DIMENSION ESTABLISHED BY CUSTOMER, BUT MAY NOT BE GREATER THAN 5.08mm.
- LEDS ARE DRIVEN WITH CONSTANT CURRENT AT APPROX 20mA
 LED COLOR: DOMINANT WAVELENGTH (λD): GREEN 568 nm TYP. @ IF=20mA
 FORWARD VOLTAGE (VF): GREEN 2.2V TYP. @ IF=20mA
- THE PARTS ARE RECOMMENDED FOR WAVE SOLDERING PROCESS, PEAK TEMPERATURE 260°C MAX, 10 SECONDS MAX.

S843PI 10/100 BASE-T CIRCUIT

TOP AND BOTTOM PORTS

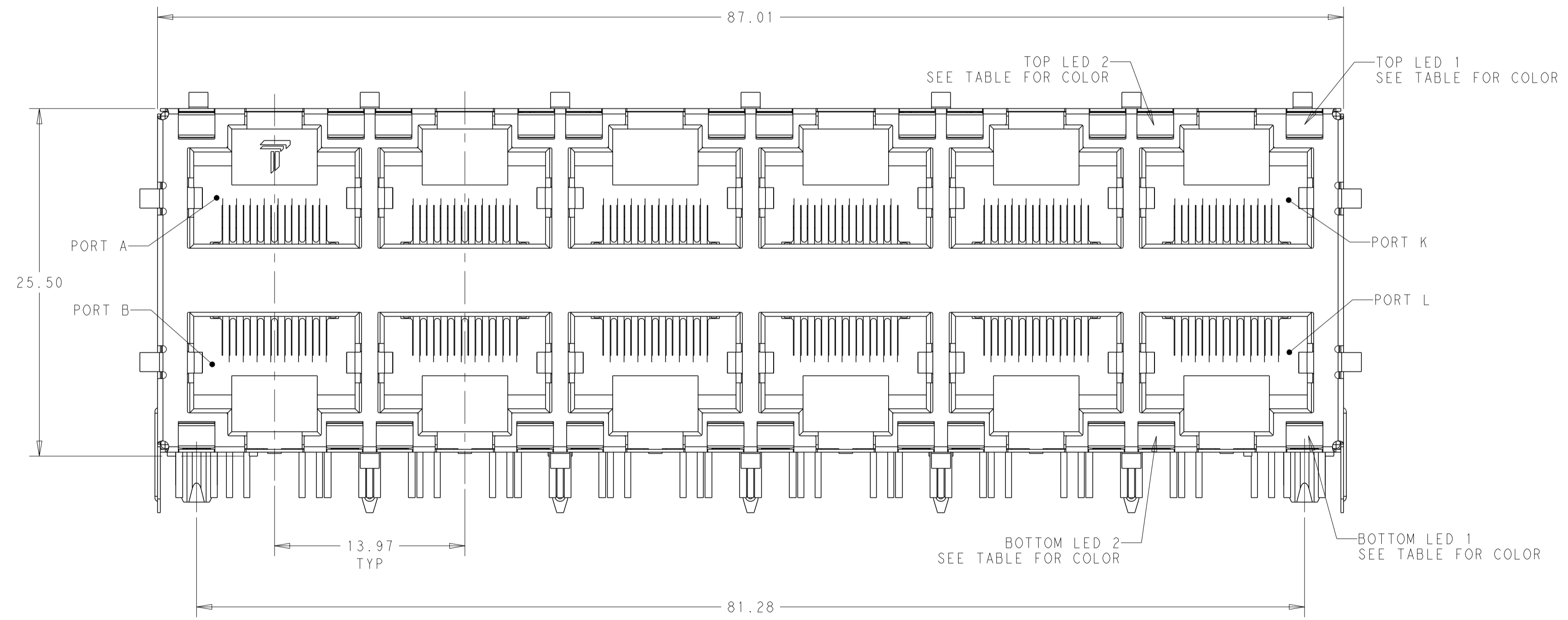
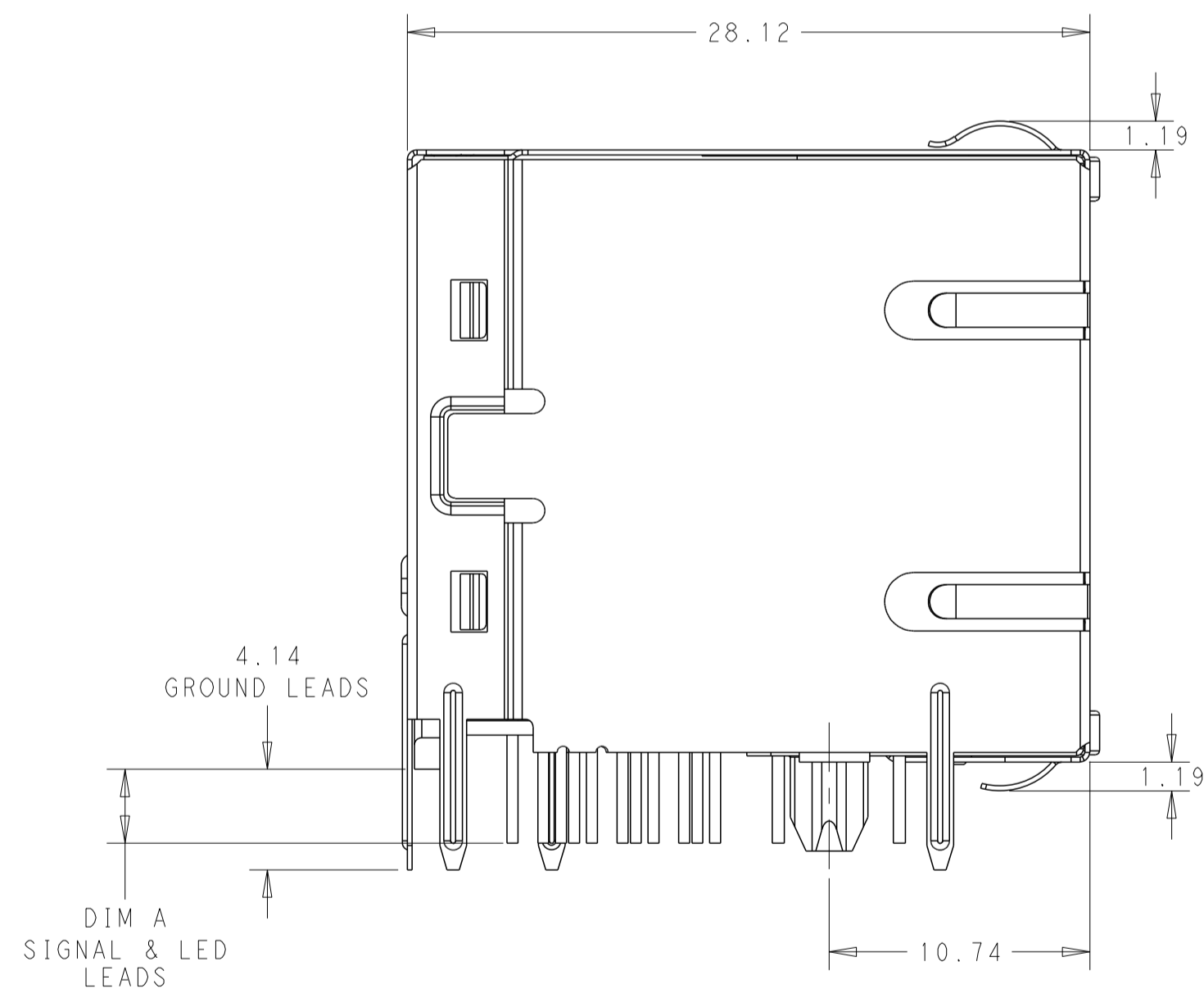
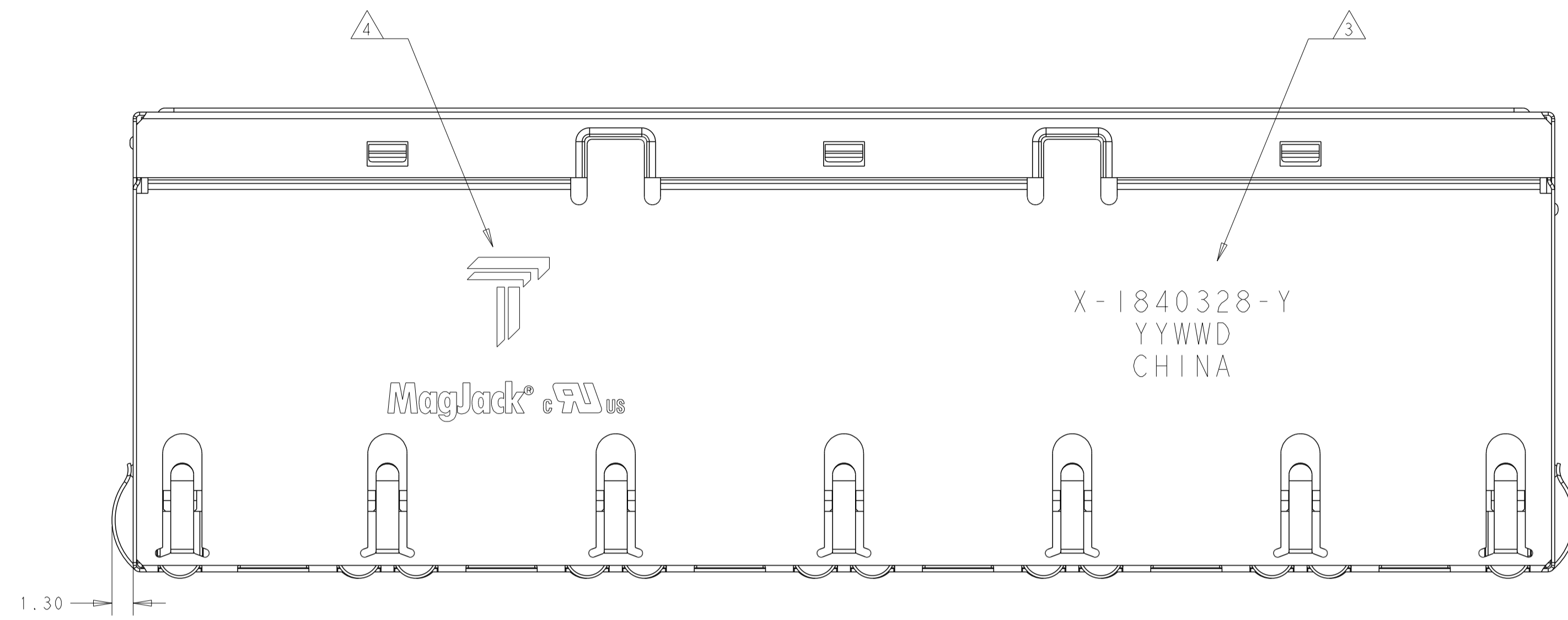


R1 - R4 = 75 Ohms, 1/16W, RESISTORS
 C1 = 1000pF, 2kV CAPACITOR

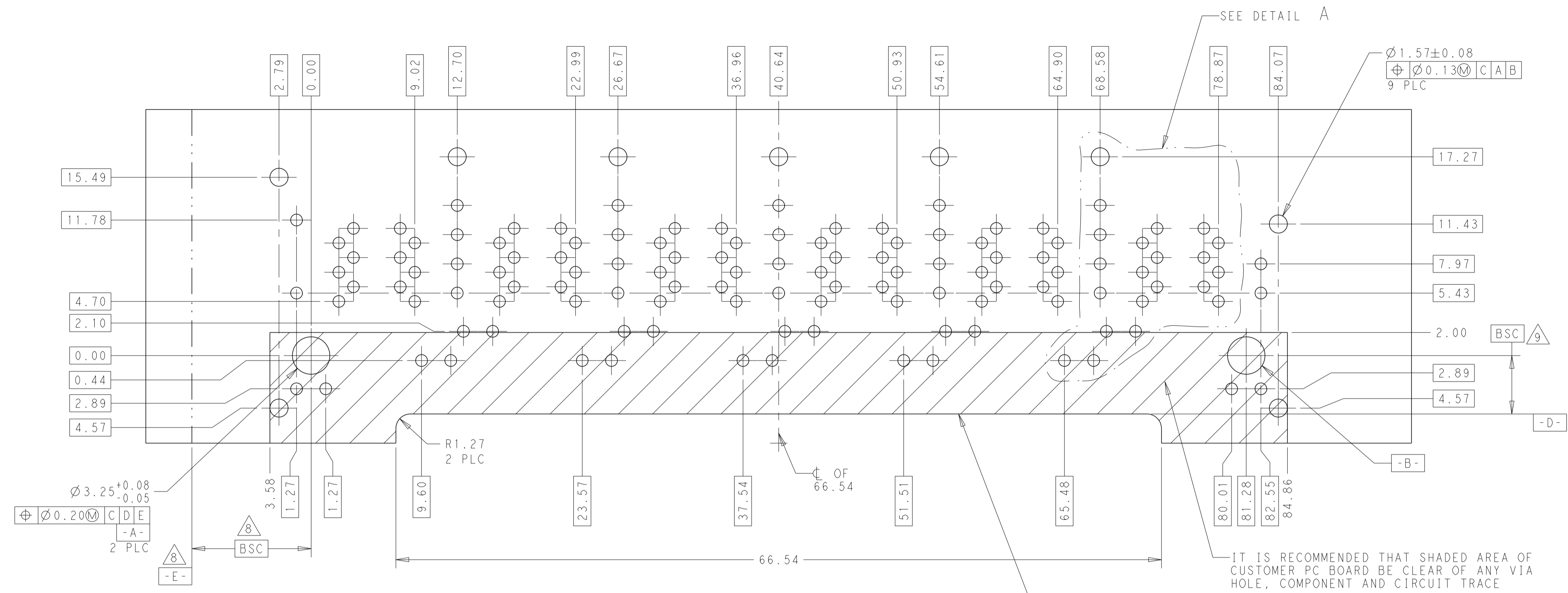
2.40	GREEN	GREEN	GREEN	GREEN	1-1840328-1
3.04	GREEN	GREEN	GREEN	GREEN	1840328-1
DIM A	BOTTOM LED 2	BOTTOM LED 1	TOP LED 2	TOP LED 1	PART NUMBER

THIS DRAWING IS A CONTROLLED DOCUMENT.

DIMENSIONS: mm	TOLERANCES UNLESS OTHERWISE SPECIFIED:	DMM: TOMMY REN 03FEB2010 CHK: TONY YUAN 03FEB2010 APD: KEITH ZHU 03FEB2010 MODEL NAME: MAGJACK DESC: STACK Non-PoE	DONGGUAN CHINA
PRODUCT SPEC: 108-104004	APPLICATION SPEC: -	SIZE: A1 CAGE CODE: - DRAWING NO: C=1840328 SCALE: NTS SHEET: 1 OF 4 REV: D	2X6 S843PI 10/100 W/ LED RESTRICTED TO: -



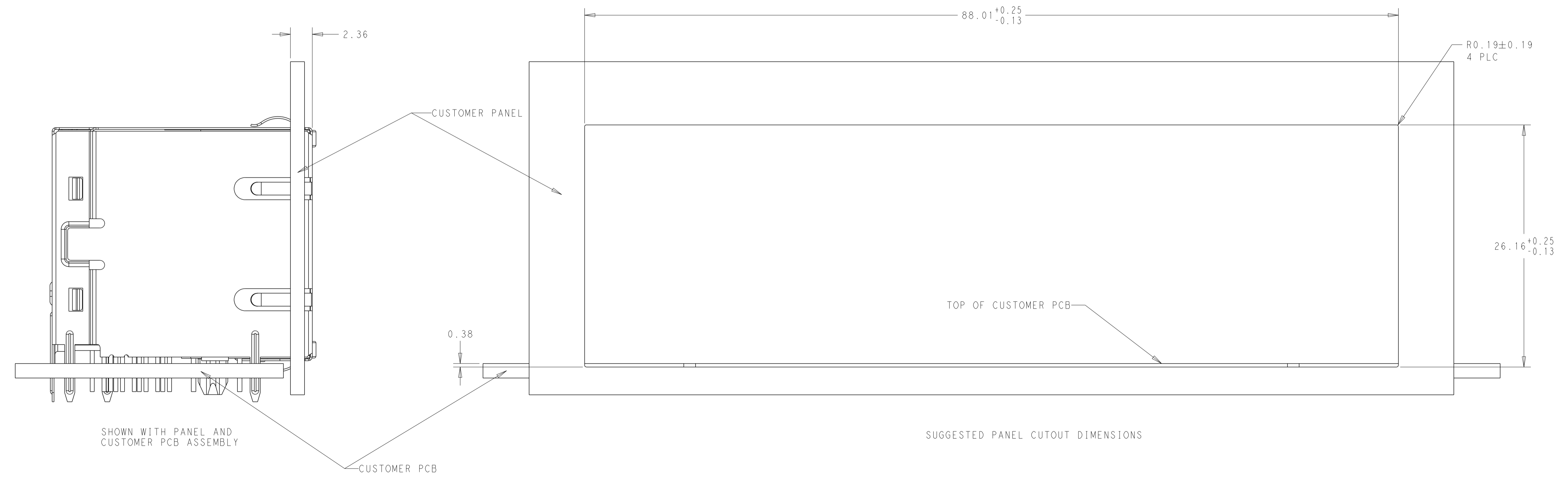
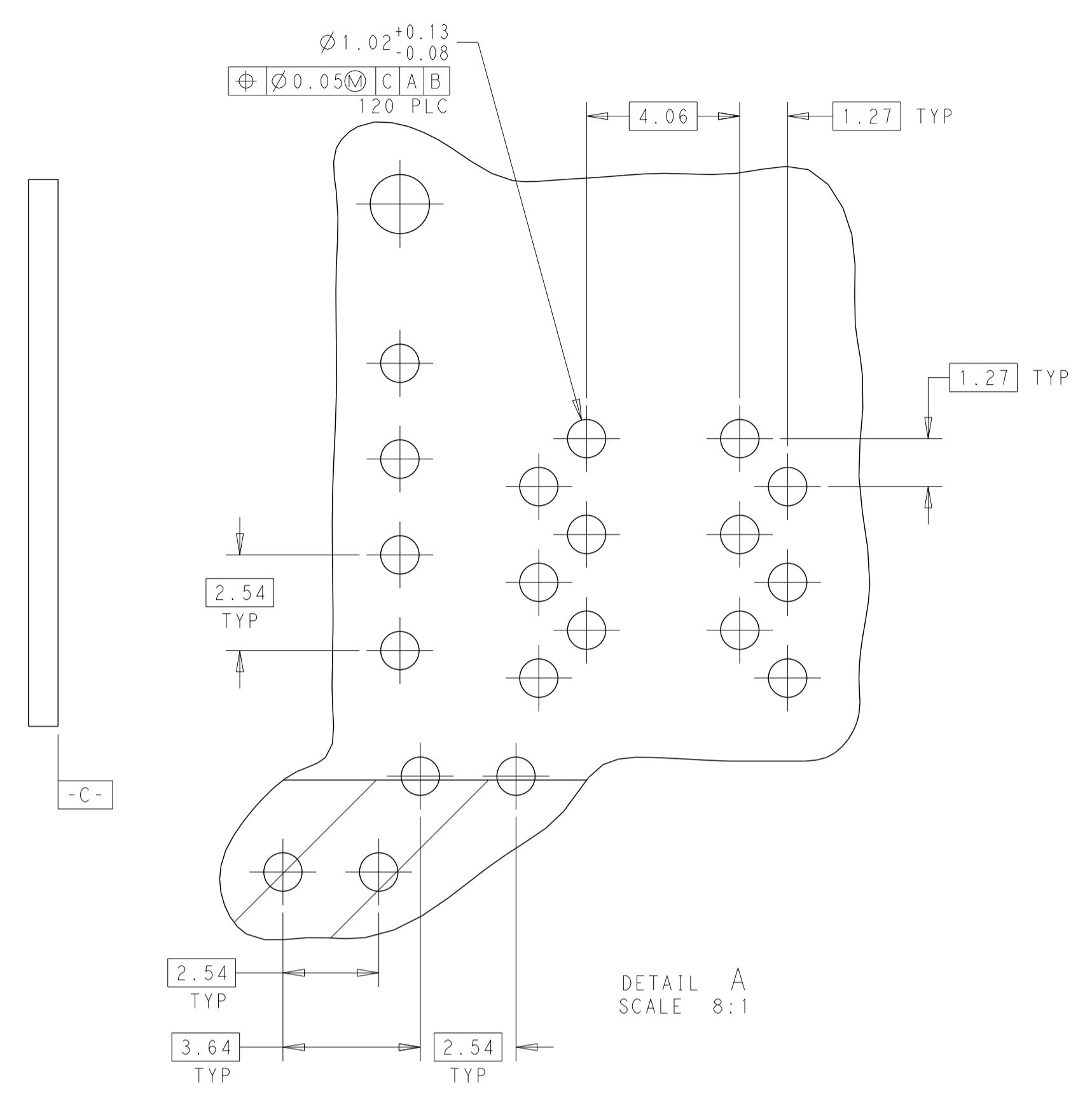
THIS DRAWING IS A CONTROLLED DOCUMENT.		DRW: TOMMY REN 03FEB2010	 trp CONNECTOR <small>a bel group</small> DONGGUAN CHINA
DIMENSIONS: mm		CHK: TONY YUAN 03FEB2010	
TOLERANCES UNLESS OTHERWISE SPECIFIED:		APP'D: KEITH ZHU 03FEB2010	
0 PLC ±0.25 1 PLC ±0.25 2 PLC ±0.25 3 PLC ± 4 PLC ± ANGLES ± APPLICATION SPEC ±		MODEL NAME: MAGJACK	
PRODUCT SPEC: 108-104004		DESC: STACK Non-PoE	DESC: 2X6 S843PI 10/100 W/ LED SIZE: A1 CAGE CODE: - DRAWING NO: C=1840328 RESTRICTED TO: - CUSTOMER DRAWING SCALE: NTS SHEET: 2 OF 4 REV: D



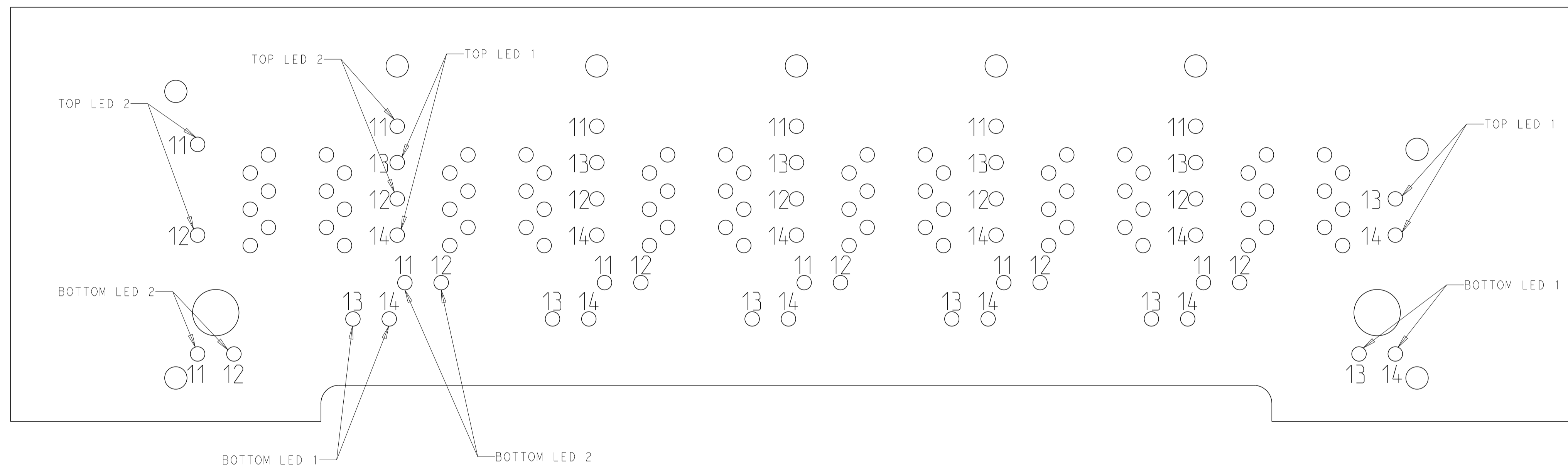
RECOMMENDED PCB LAYOUT COMPONENT SIDE VIEW

IT IS RECOMMENDED THAT SHADED AREA OF CUSTOMER PC BOARD BE CLEAR OF ANY VIA HOLE, COMPONENT AND CIRCUIT TRACE

RECOMMENDED PCB FRONT EDGE CUTOUT: THE BOTTOM SHIELD GROUND TABS(FRONT) SHOULD NOT BE SEATED ON THE TOP OF THE PCB

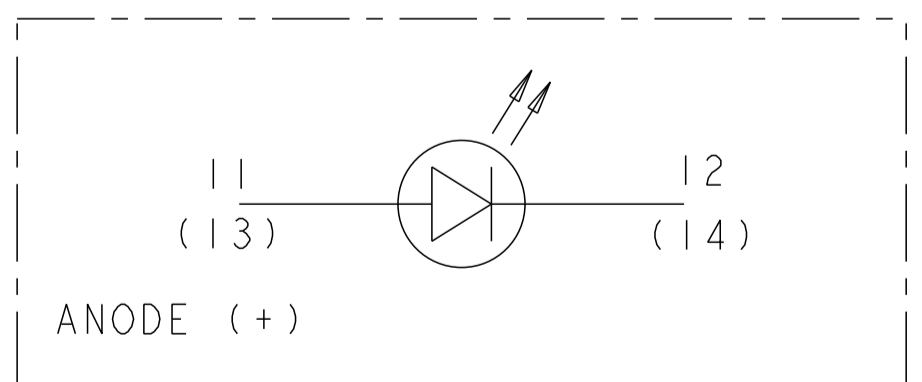



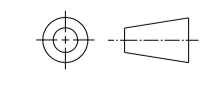
THIS DRAWING IS A CONTROLLED DOCUMENT.		DRW: TOMMY REN 03FEB2010	<p>trp CONNECTOR DONGGUAN CHINA</p>
DIMENSIONS: mm		CHK: TONY YUAN 03FEB2010	
TOLERANCES UNLESS OTHERWISE SPECIFIED:		APP'D: KEITH ZHU 03FEB2010	
	0 PLC ±0.25 1 PLC ±0.25 2 PLC ±0.25 3 PLC ± 4 PLC ± ANGLES ± APPLICATION SPEC ±	MODEL NAME: MAGJACK	DESC: 2X6 S843PI 10/100 W/ LED
PRODUCT SPEC: 108-104004		SIZE: A1	CAGE CODE: 1840328
CUSTOMER DRAWING		SCALE: NTS	SHEET 3 OF 4 REV D



LED HOLE DESIGNATIONS VIEWED FROM COMPONENT SIDE

SINGLE COLOR LED



THIS DRAWING IS A CONTROLLED DOCUMENT.		DRW: TOMMY REN 03FEB2010	 DONGGUAN CHINA
DIMENSIONS: mm		CHK: TONY YUAN 03FEB2010	
		APP'D: KEITH ZHU 03FEB2010	
TOLERANCES UNLESS OTHERWISE SPECIFIED:		MODEL NAME	DESC: 2X6 S843P1 10/100 W/ LED
0 PLC ±0.25		MAGJACK	SIZE: A1
1 PLC ±0.25		STACK Non-PoE	CAGE CODE: C=1840328
2 PLC ±0.25			DRAWING NO: -
3 PLC ±			RESTRICTED TO: -
4 PLC ±			SCALE: NTS
ANGLES ±			SHEET 4 OF 4
APPLICATION SPEC ±		CUSTOMER DRAWING	REV D