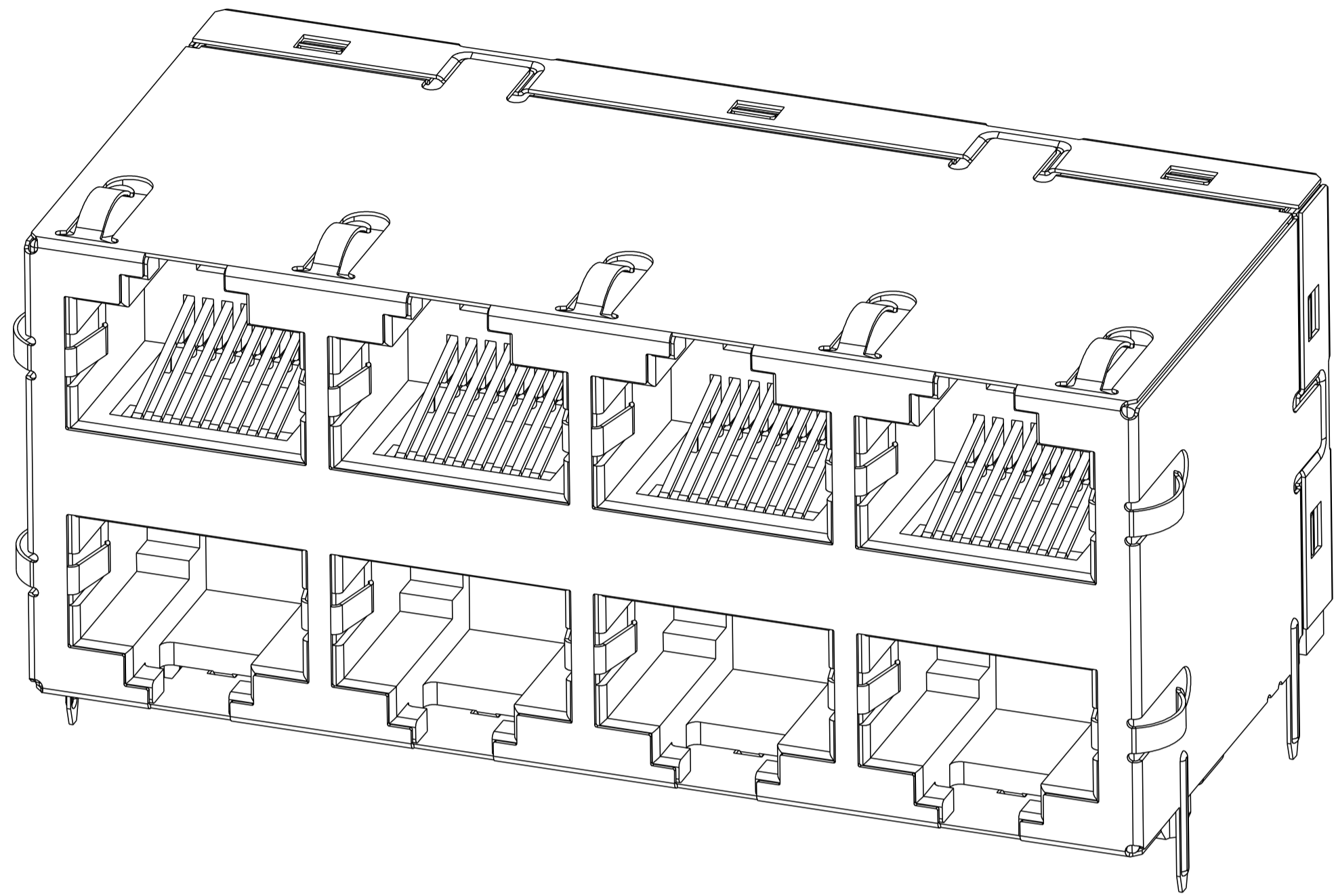


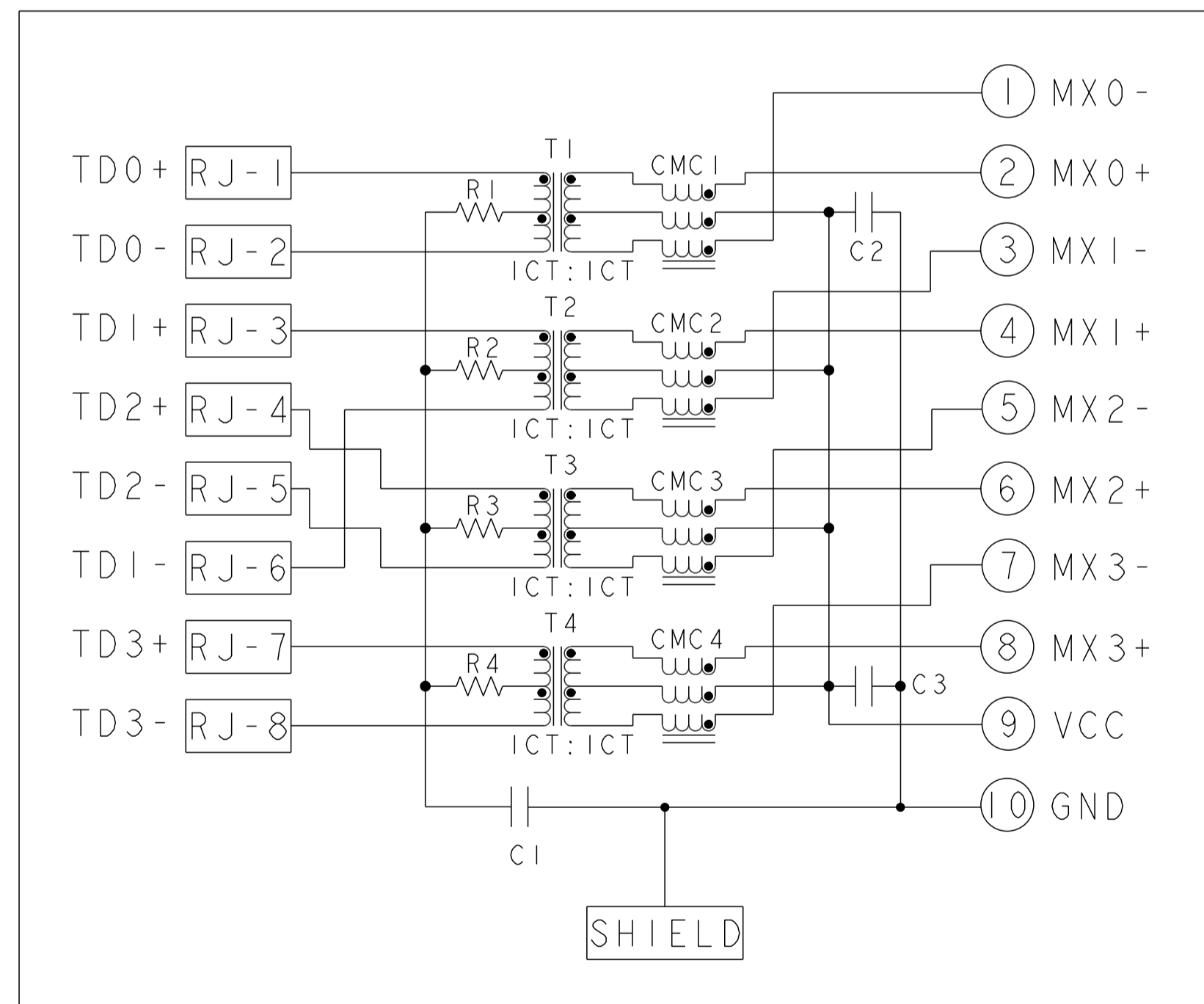
THIS DRAWING AND THE SUBJECT MATTER SHOWN THEREON ARE CONFIDENTIAL AND THE PROPERTY OF BEL/STEWART/TRP CONNECTOR AND SHALL NOT BE REPRODUCED, COPIED, OR USED IN ANY MANNER WITHOUT THE WRITTEN CONSENT OF TRP CONNECTOR.

PRODUCT MAY BE PROTECTED BY ONE OR MORE OF THE FOLLOWING US PATENTS:
 5736910 5939955 6425781 6428361 6554638 6840817 7123117
 7429195 7717749 7808751 6217391 6149050 7924130

REVISIONS				
P	LTR	DESCRIPTION	DATE	APPD
3		EC-1411035 COMPANY LOGO CHANGE	18DEC2014	GZ TY

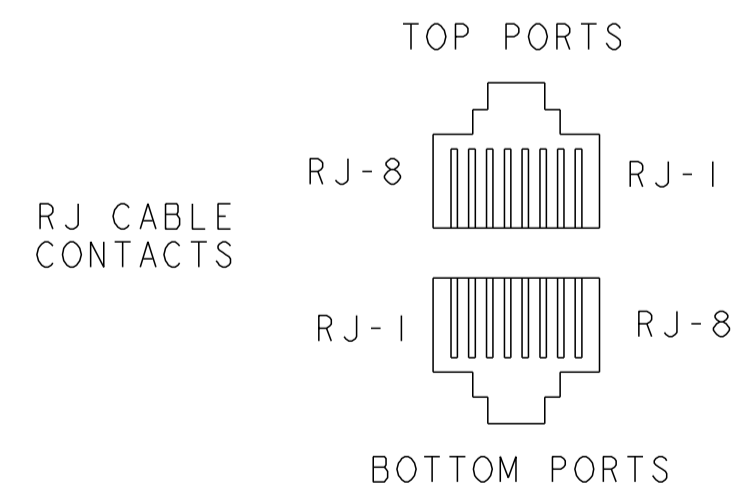
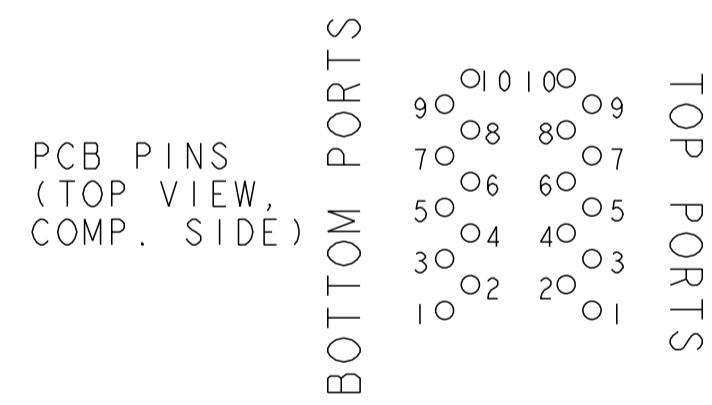


S8G56 GIGABIT CIRCUIT
TOP AND BOTTOM PORTS



C1 = 1000pF, 2kV, CAPACITOR
 C2 - C3 = 10nF, 50V, CAPACITORS
 R1-R4 = 75 Ohms, 1/16W, RESISTORS

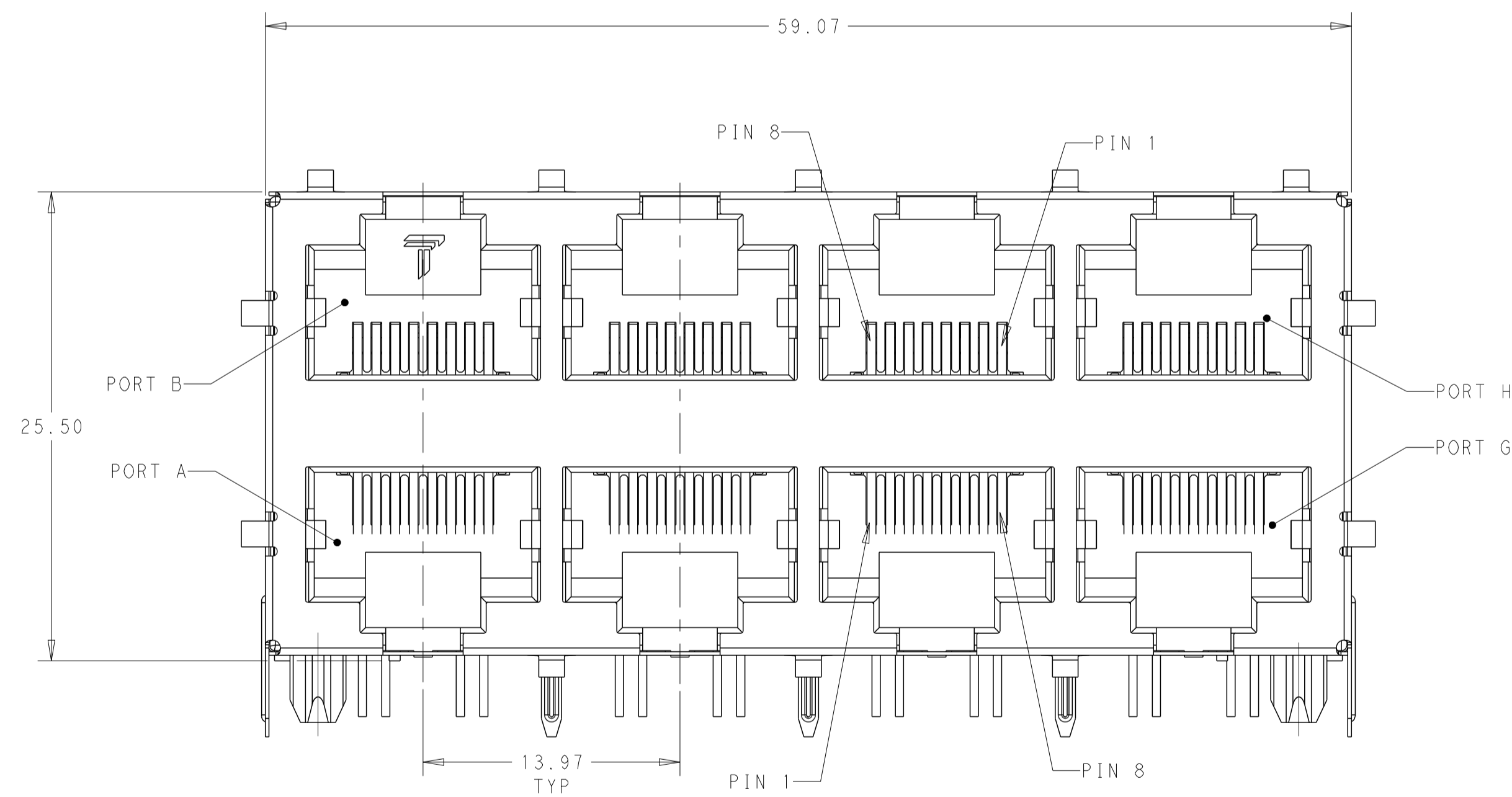
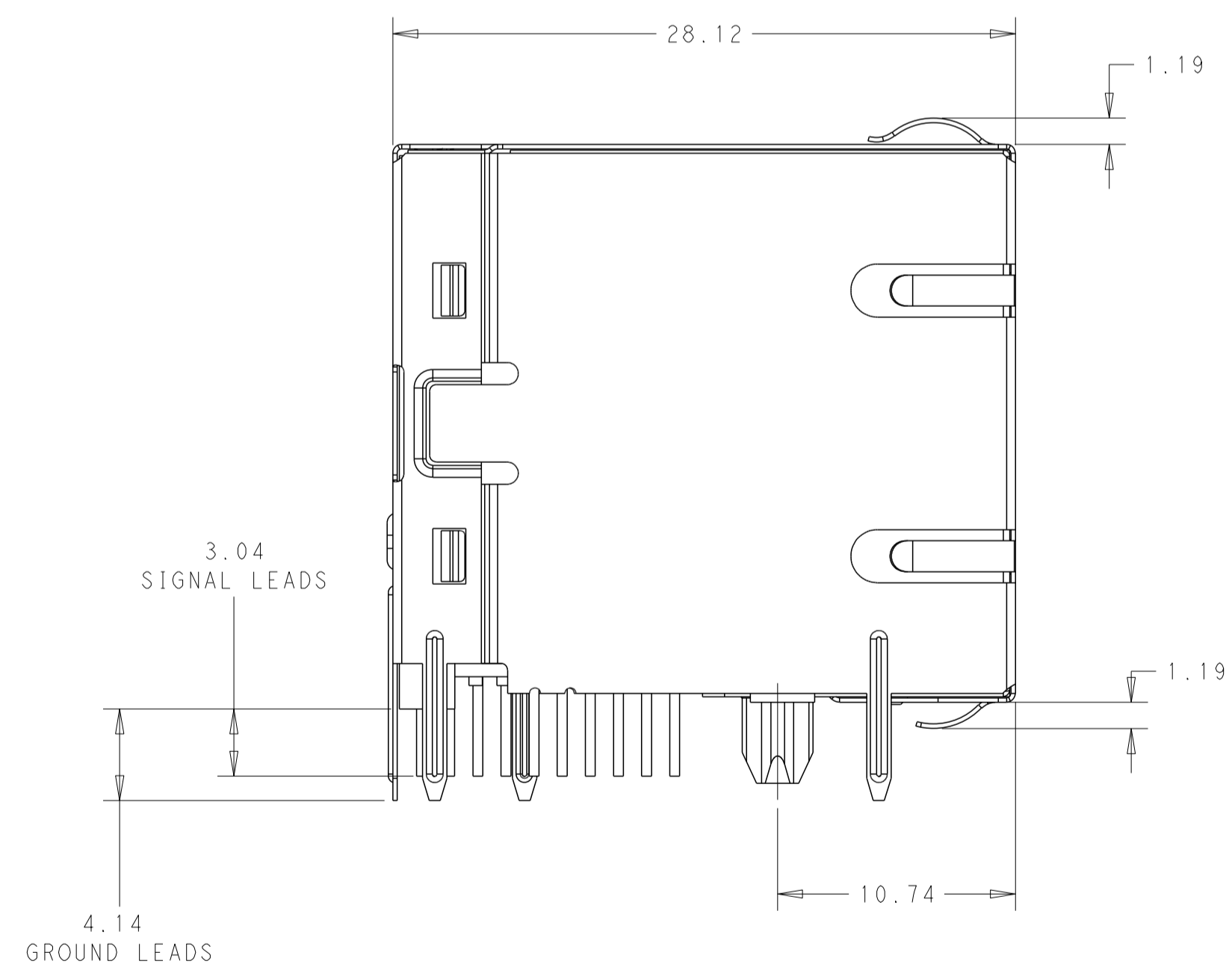
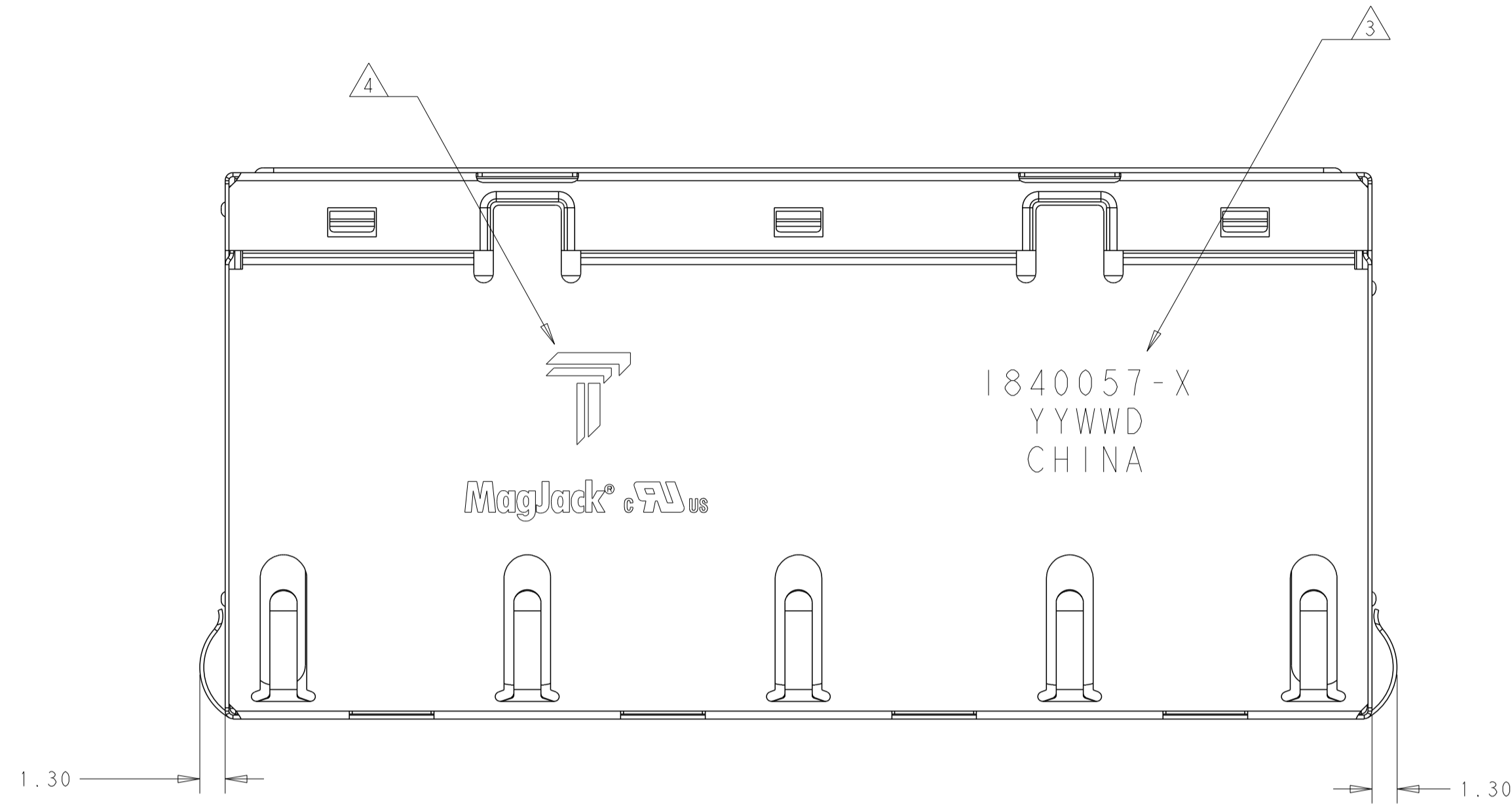
PIN DESIGNATIONS
(REPEAT FOR EACH VERTICAL PAIR OF PORTS)




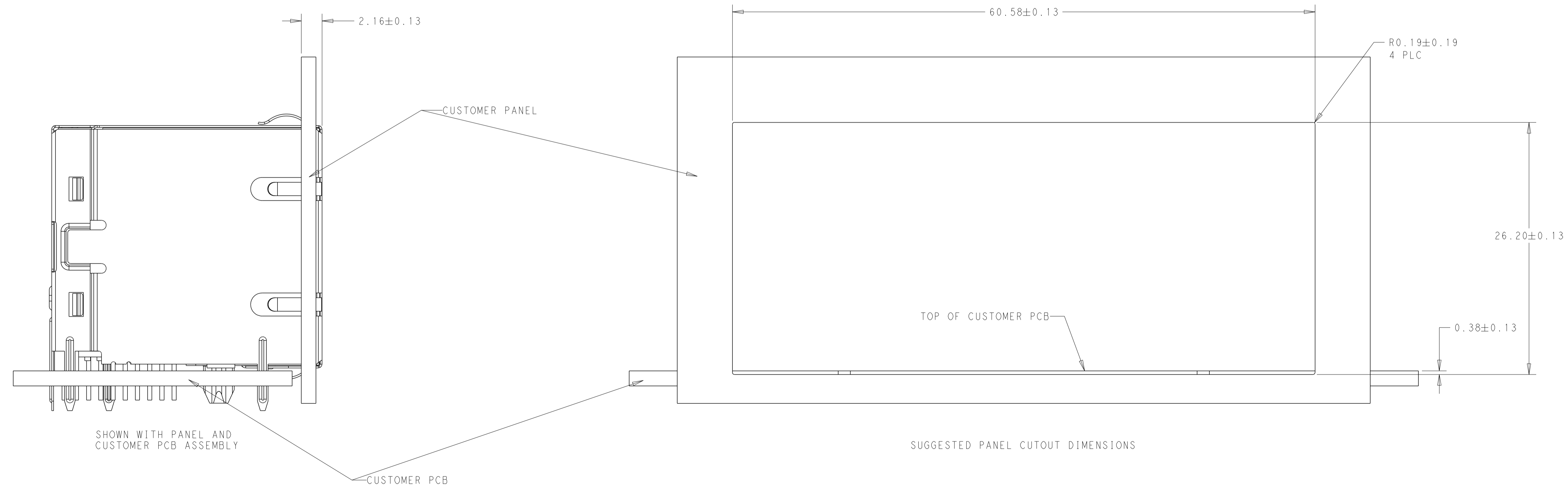
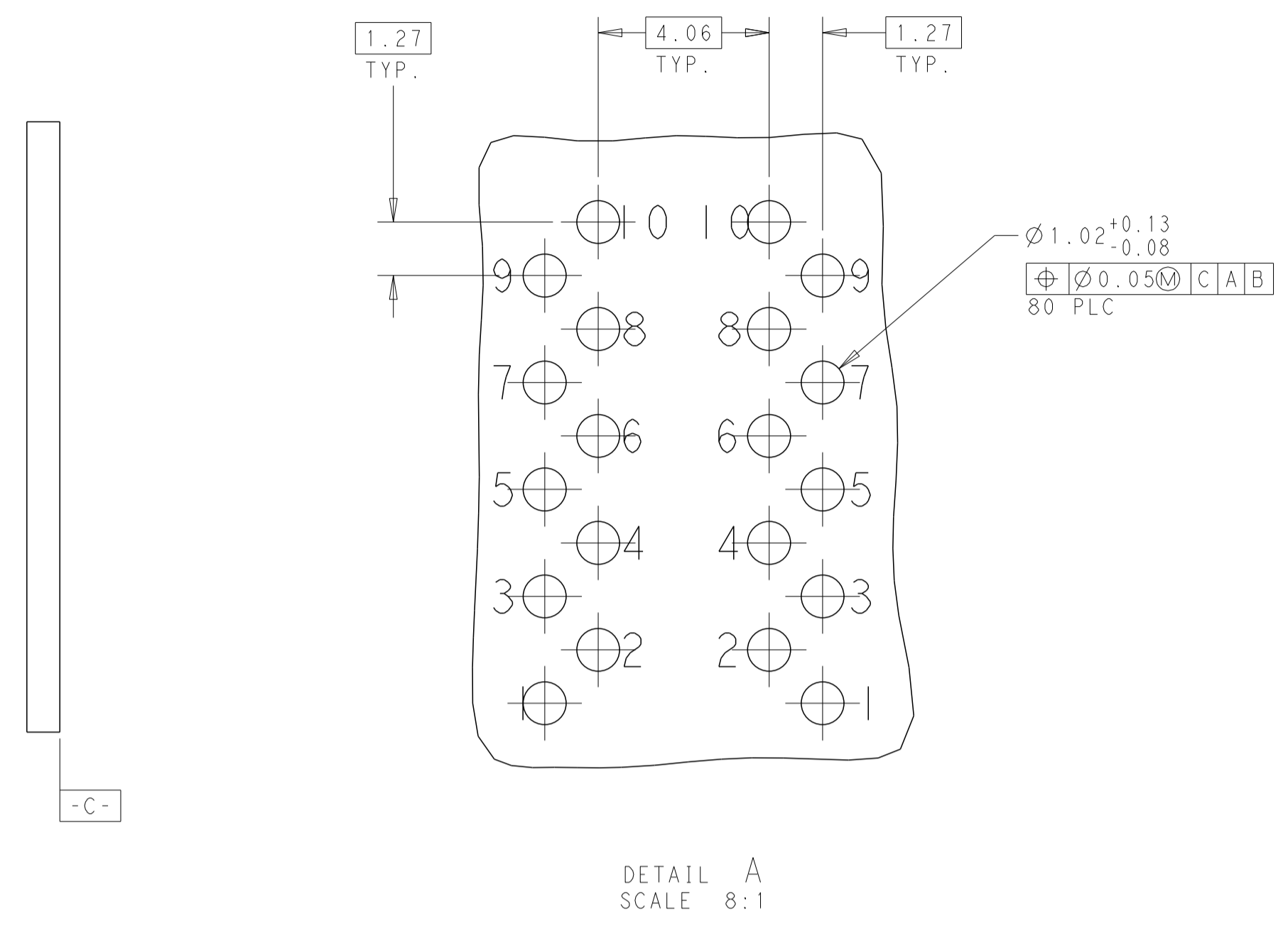
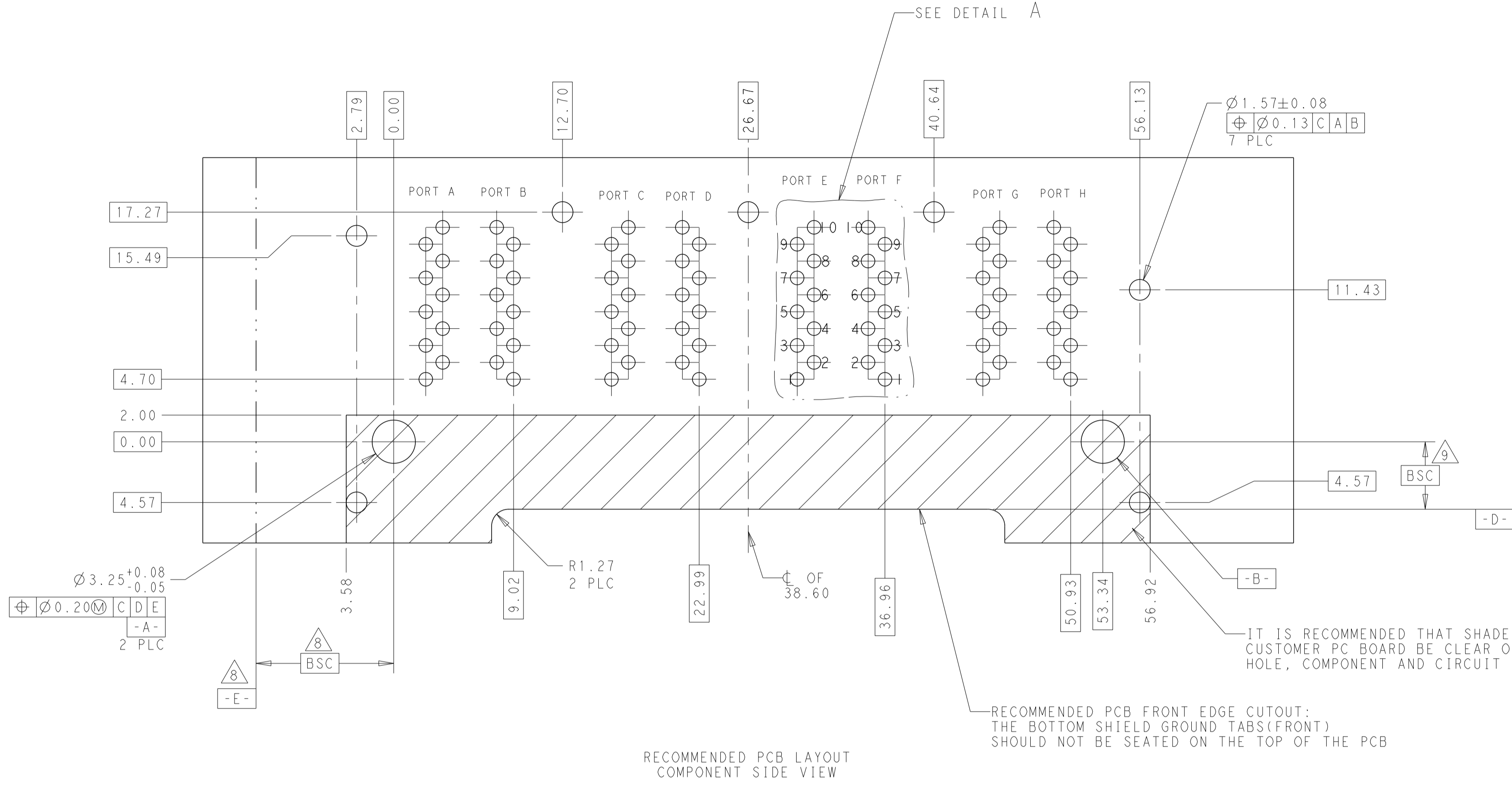
- MATERIALS:**
 PLASTIC HOUSING: BLACK, THERMOPLASTIC FLAMMABILITY RATING UL 94V-0
 SHIELD: BRASS, PREPLATED WITH 0.76um MIN SEMI-BRIGHT NICKEL,
 POST DIPPED WITH 2.54um MIN SAC SOLDER ON SOLDER TAILS,
 CONTACTS: PHOSPHOR BRONZE, 1.27um MIN OVERALL NICKEL
 UNDERPLATE WITH SELECTED 1.27um MIN GOLD AT MATING INTERFACE
 AND 2.54um MIN MATTE TIN ON SOLDER TAILS.
 ALL PC BOARDS: HIGH TEMPERATURE PCB, TG>170°C
- MAGNETICS**
 APPLICATION: 10/100/1000 BASE-T
 IMPEDANCE: 100 OHMS
 TURNS RATIO (CHIP:CABLE): 1:1 ALL FOUR PAIRS
 OPEN CIRCUIT INDUCTANCE (OCL): 350uH MIN @100kHz, 0.1VRMS,
 8mADC BIAS FROM 0°C TO 70°C, ALL FOUR PAIRS
 ALL FOUR PAIRS BI-DIRECTIONAL
 PERFORMANCE @ 25°C:
 INSERTION LOSS (IL): 1.1dB MAX FROM 0.5MHz TO 100MHz
 RETURN LOSS (RL): 18dB MIN FROM 0.5MHz TO 40MHz
 12-20LOG(f/80)dB MIN FROM 40.1MHz TO 100MHz
 CROSSTALK ATTENUATION: 35dB MIN FROM 0.5MHz TO 40MHz
 33-20LOG(f/50)dB MIN FROM 40.1MHz TO 100MHz
 COMMON MODE REJECTION RATIO (CMRR): 30dB MIN FROM 0.5MHz TO 100MHz
 -ISOLATION VOLTAGE: 2250VDC (MAX) FOR 60 SECONDS WITH A RISE TIME OF
 500V/SEC AND WITH ALL PORTS CONNECTED.
- PART NUMBER, DATE CODE AND COUNTRY OF ORIGIN ARE LOCATED IN APPROXIMATE AREA SHOWN.
- TRP CONNECTOR LOGO AND AGENCY APPROVAL LOGO ARE LOCATED IN APPROXIMATE AREA SHOWN. DATE CODE: YYWW WHERE "YY" IS YEAR, "WW" IS WEEK, "D" IS DAY OF WEEK, WITH SUNDAY=1.
- OPERATING TEMP: FROM 0°C TO +70°C.
- RJ45 CAVITY CONFORMS TO FCC RULES AND REGULATION PART 68 SUBPART F.
- INDICATED MAGNETIC CONNECTIONS ARE SYMMETRICAL AND SUPPORT AUTO-MDI/MDIX.
- DATUM AND BASIC DIMENSION ESTABLISHED BY CUSTOMER.
- BASIC DIMENSION ESTABLISHED BY CUSTOMER, BUT MAY NOT BE GREATER THAN 5.08mm.
- THE PARTS ARE RECOMMENDED FOR WAVE SOLDERING PROCESS, PEAK TEMPERATURE 260°C MAX, 10 SECONDS MAX.

1840057-1
PART NUMBER

THIS DRAWING IS A CONTROLLED DOCUMENT.		DWN: 13SEP2012 GABRIEL Z. TERRY LIN		DONGGUAN CHINA
DIMENSIONS: mm		CHK: 13SEP2012 TOMMY REN		
TOLERANCES UNLESS OTHERWISE SPECIFIED:		APVD: 13SEP2012 KEITH ZHU		DESC: 2X4 S8G56 GIGABIT W/O LED
0 PLC ±0.25 1 PLC ±0.25 2 PLC ±0.25 3 PLC ± 4 PLC ±		MODEL NAME: MAGJACK		SIZE: A1
PRODUCT SPEC: 108-104004		APPLICATION SPEC: -		DRAWING NO: C=1840057
		CUSTOMER DRAWING		SCALE: NTS SHEET 1 OF 3 REV 3



THIS DRAWING IS A CONTROLLED DOCUMENT.		DWN: 13SEP2012 GABRIEL Z. TERRY LIN		 trp CONNECTOR <small>a bel group</small>	DONGGUAN CHINA												
DIMENSIONS: mm		CHK: 13SEP2012 TOMMY REN															
TOLERANCES UNLESS OTHERWISE SPECIFIED:		APVD: 13SEP2012 KEITH ZHU		DESC: 2X4 S8G56 GIGABIT W/O LED													
<table border="1"> <tr><td>0 PLC</td><td>±0.25</td></tr> <tr><td>1 PLC</td><td>±0.25</td></tr> <tr><td>2 PLC</td><td>±0.25</td></tr> <tr><td>3 PLC</td><td>±</td></tr> <tr><td>4 PLC</td><td>±</td></tr> <tr><td>ANGLES</td><td>±</td></tr> </table>		0 PLC	±0.25	1 PLC	±0.25	2 PLC	±0.25	3 PLC	±	4 PLC	±	ANGLES	±	MODEL NAME: MAGJACK		SIZE: A1	CAGE CODE: -
0 PLC	±0.25																
1 PLC	±0.25																
2 PLC	±0.25																
3 PLC	±																
4 PLC	±																
ANGLES	±																
PRODUCT SPEC: 108-104004		APPLICATION SPEC: -		DRAWING NO: 1840057													
CUSTOMER DRAWING				SCALE: NTS	SHEET 2 OF 3												
				REV: 3													



THIS DRAWING IS A CONTROLLED DOCUMENT.		DWN: 13SEP2012 GABRIEL Z. TERRY LIN		trp CONNECTOR DONGGUAN CHINA	
DIMENSIONS: mm		CHK: 13SEP2012 TOMMY REN			
		TOLERANCES UNLESS OTHERWISE SPECIFIED: 0 PLC ±0.25 1 PLC ±0.25 2 PLC ±0.25 3 PLC ±0.25 4 PLC ± ANGLES ±		MODEL NAME MAGJACK	DESC 2X4 S8G56 GIGABIT W/O LED
PRODUCT SPEC 108-104004		APPLICATION SPEC		SIZE A1	CAGE CODE 1840057
CUSTOMER DRAWING				SCALE	NTS SHEET 3 OF 3 REV 3