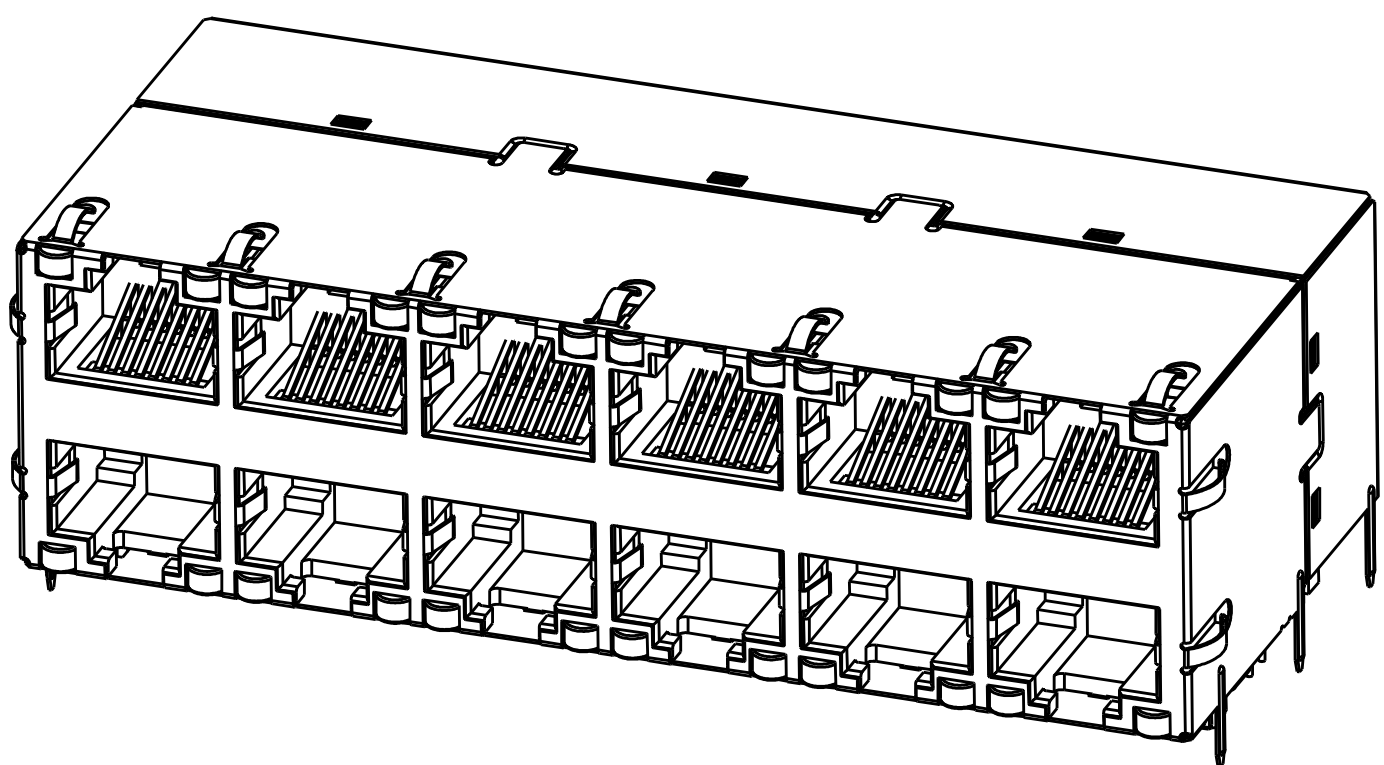


THIS DRAWING AND THE SUBJECT MATTER SHOWN THEREON ARE CONFIDENTIAL AND THE PROPERTY OF BEL/STEWART/TRP CONNECTOR AND SHALL NOT BE REPRODUCED, COPIED, OR USED IN ANY MANNER WITHOUT THE WRITTEN CONSENT OF TRP CONNECTOR.

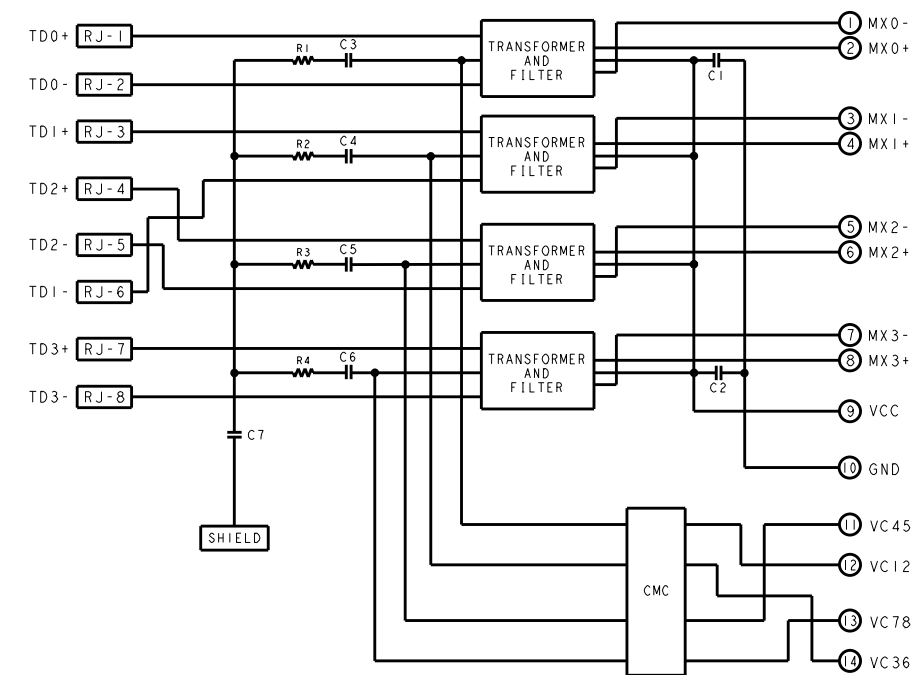
PRODUCT MAY BE PROTECTED BY ONE OR MORE OF THE FOLLOWING US PATENTS:  
 5736910 5939955 6425781 6428361 6554638 6840817 7123117  
 7429195 7717749 7808751 6217391 6149050 7924130

REVISIONS				
REV	DATE	BY	APPV	DESCRIPTION
B	30JAN2015	CZ	TY	EC-1411035 COMPANY LOGO CHANGE



- I. MATERIALS:**  
 PLASTIC HOUSING: BLACK, THERMOPLASTIC FLAMMABILITY RATING UL 94V-0  
 SHIELD: BRASS, PREPLATED WITH 0.76um MIN SEMI-BRIGHT NICKEL,  
 POST DIPPED WITH 2.54um MIN SAC SOLDER OR PURE TIN SOLDER ON SOLDER TAILS  
 CONTACTS: PHOSPHOR BRONZE, 1.27um MIN OVERALL NICKEL UNDERPLATE,  
 WITH SELECT 0.05um MIN GOLD OVER 0.76um MIN PALLADIUM-NICKEL AT  
 MATING INTERFACE AND 2.54um MIN MATTE TIN ON SOLDER TAILS.  
 LED: DIFFUSED EPOXY LENS, CARBON STEEL LEAD FRAME TAILS OF LED  
 ARE PREPLATED WITH 2.03um MIN SILVER OVER 1.02um MIN NICKEL  
 UNDERPLATE OVER 1.02um MIN COPPER UNDERPLATE. POST-PLATED WITH  
 2.54um MIN MATTE TIN AND/OR SAC SOLDER DIP OR PURE TIN SOLDER DIP
- MAGNETICS**  
 APPLICATION: 10/100/1000 BASE-T, ULTRA PoE PLUS  
 IMPEDANCE: 100 OHMS  
 TURNS RATIO (CHIP:CABLE): 1:1 ALL FOUR PAIRS  
 OPEN CIRCUIT INDUCTANCE (OCL):  
 ALL CHANNELS 350uH MIN @ 100KHz, 0.1 VRMS WITH 8mA DC BIAS FROM -20°C TO 70°C,  
 120uH MIN @ 100KHz, 0.1 VRMS WITH 19mA DC BIAS FROM -20°C TO 70°C  
 ALL FOUR PAIRS BI-DIRECTIONAL  
 POE CURRENT: 700mADC  
 PERFORMANCE @ 25°C:  
 INSERTION LOSS (IL): 1.1dB MAX FROM 0.5MHz TO 100MHz  
 RETURN LOSS (RL): 18dB MIN FROM 0.5MHz TO 40MHz  
 12-20LOG(1/80)dB MIN FROM 40.1MHz TO 100MHz  
 CROSSTALK ATTENUATION: 35dB MIN FROM 0.5MHz TO 40MHz  
 33-20LOG(1/50)dB MIN FROM 40.1MHz TO 100MHz  
 COMMON MODE REJECTION RATIO (CMRR): 30dB MIN FROM 0.5MHz TO 100MHz  
 ISOLATION VOLTAGE: 2250VDC(MAX) FOR 60 SECONDS WITH A RISE TIME OF  
 500V/SEC AND WITH ALL PORTS CONNECTED.
- PART NUMBER, DATE CODE AND COUNTRY OF ORIGIN ARE LOCATED  
 IN APPROXIMATE AREA SHOWN. DATE CODE: "YY" IS YEAR, "WW" IS  
 WORK WEEK, "D" IS DAY OF WEEK, WITH SUNDAY=1**
- TRP LOGO AND AGENCY APPROVAL LOGO ARE  
 LOCATED IN APPROXIMATE AREA SHOWN.**
- OPERATING TEMP: FROM -20°C TO +70°C.**
- RJ45 CAVITY CONFORMS TO FCC RULES AND REGULATION PART 68 SUBPART F.**
- INDICATED MAGNETIC CONNECTIONS ARE SYMMETRICAL AND  
 SUPPORT AUTO-MDI/MDIX.**
- DATUM AND BASIC DIMENSION ESTABLISHED BY CUSTOMER.**
- BASIC DIMENSION ESTABLISHED BY CUSTOMER, BUT MAY NOT BE  
 GREATER THAN 5.08mm.**
- LEDS ARE DRIVEN WITH CONSTANT CURRENT AT APPROX 20mA  
 LED COLOR: DOMINANT WAVELENGTH (λD): GREEN 568 nm TYP. @ IF=20mA  
 FORWARD VOLTAGE (VF): GREEN 2.2V TYP. @ IF=20mA**
- THE PARTS ARE RECOMMENDED FOR WAVE SOLDERING PROCESS,  
 PEAK TEMPERATURE 260°C MAX, 10 SECONDS MAX.**

S9HG123 GIGABIT UPoE PLUS CIRCUIT  
 TOP AND BOTTOM PORTS



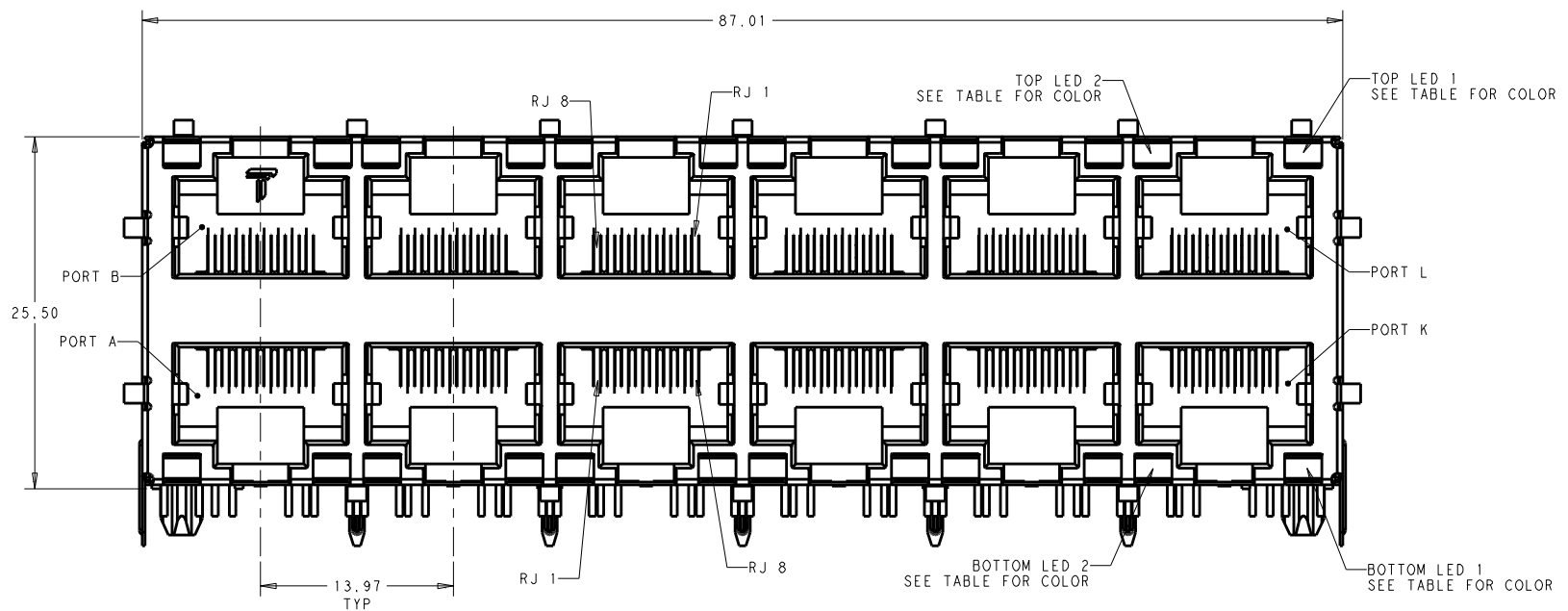
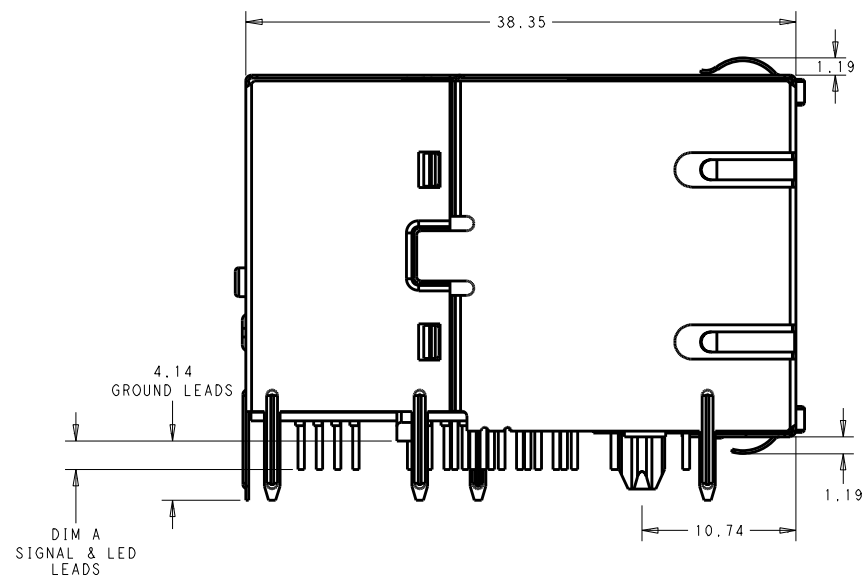
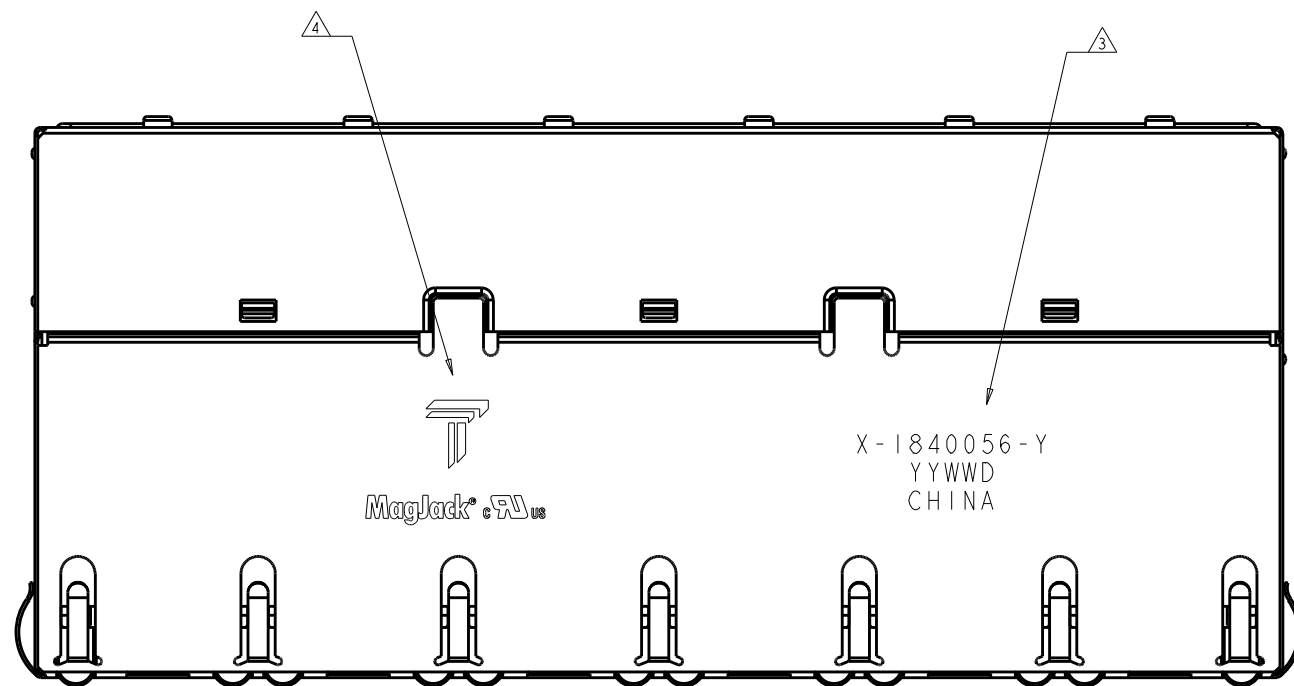
C1-C2 = 10nF, 50V, X7R, CAPACITORS  
 C3-C6 = 22nF, 100V, CAPACITORS  
 C7 = 1000pF, 2kV, CAPACITOR  
 R1-R4 = 75 Ohms, 1/16W, RESISTORS

3.04	GREEN	GREEN	GREEN	GREEN	1-1840056-1
2.00	GREEN	GREEN	GREEN	GREEN	1840056-1
DIM A	BOTTOM LED 2	BOTTOM LED 1	TOP LED 2	TOP LED 1	PART NUMBER

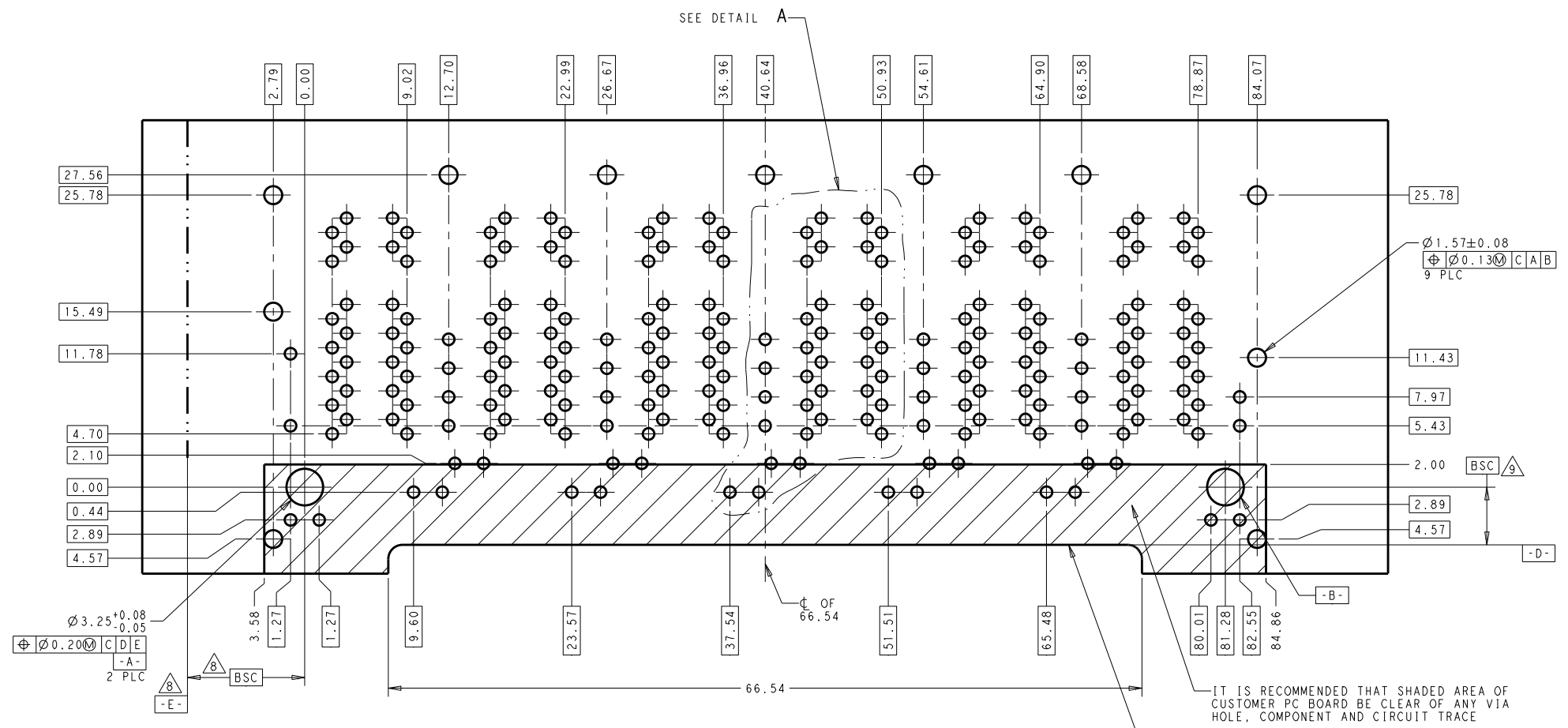
THIS DRAWING IS A CONTROLLED DOCUMENT.

DIMENSIONS: mm	TOLERANCES UNLESS OTHERWISE SPECIFIED: mm	APPROVED: GABRIEL Z. TERRY, LIN TOMMY, REN KELTH, ZHU	DATE: 04SEP2012 04SEP2012 04SEP2012	DESC: MAGJACK STACK 4PPOE	SIZE: A1	CAGE CODE: 1840056	DRAWING NO: 1840056	RESTRICTED TO: -
PRODUCT SPEC		APPLICATION SPEC		CUSTOMER DRAWING		SCALE: NTS		SHEET 1 OF 4 REV B

trp CONNECTOR DONGGUAN CHINA

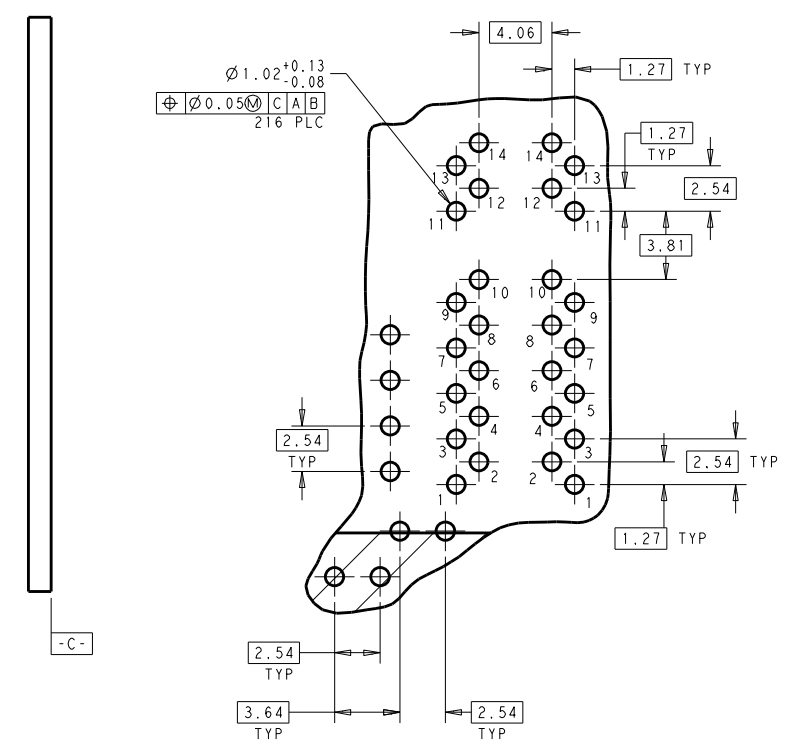


THIS DRAWING IS A CONTROLLED DOCUMENT.		DWG: 04SEP2012 GABRIEL Z. TERRY, LIN CHK: TOMMY, REN 04SEP2012 APVD: KEITH, ZHU 04SEP2012	trp CONNECTOR DONGGUAN CHINA
DIMENSIONS: mm 	TOLERANCES UNLESS OTHERWISE SPECIFIED: 0 PLC ± 1 PLC ± 2 PLC ±0.25 3 PLC ± 4 PLC ± ANGLES ±	MODEL NAME MAGJACK STACK 4PPOE	
PRODUCT SPEC APPLICATION SPEC	SIZE A1	CAGE CODE 1840056	DRAWING NO 1840056
CUSTOMER DRAWING		SCALE	SHEET 2 OF 4 REV B

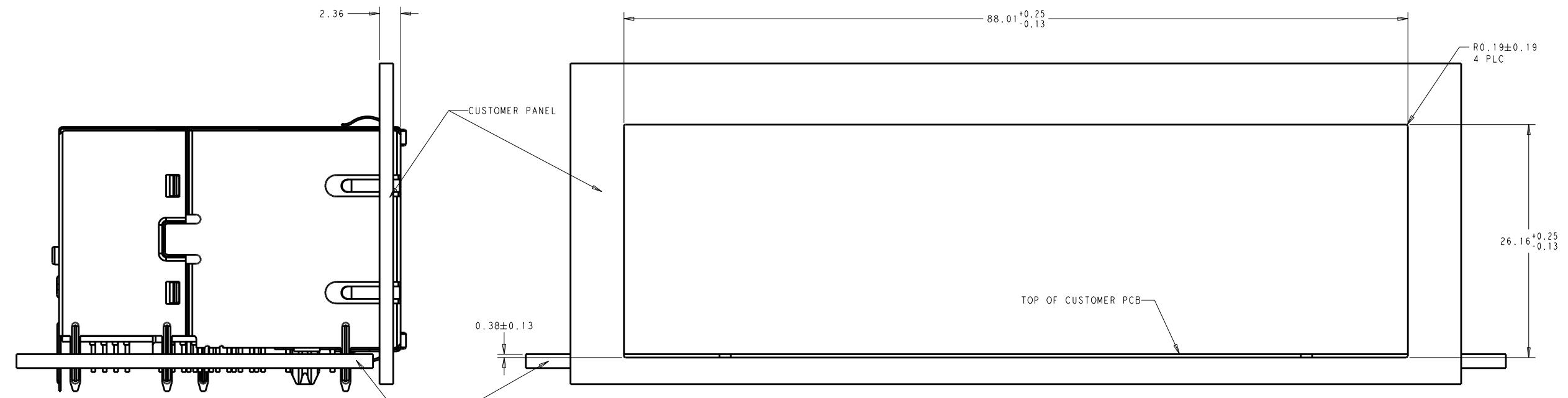


RECOMMENDED PCB LAYOUT COMPONENT SIDE VIEW

RECOMMENDED PCB FRONT EDGE CUTOUT: THE BOTTOM SHIELD GROUND TABS(FRONT) SHOULD NOT BE SEATED ON THE TOP OF THE PCB



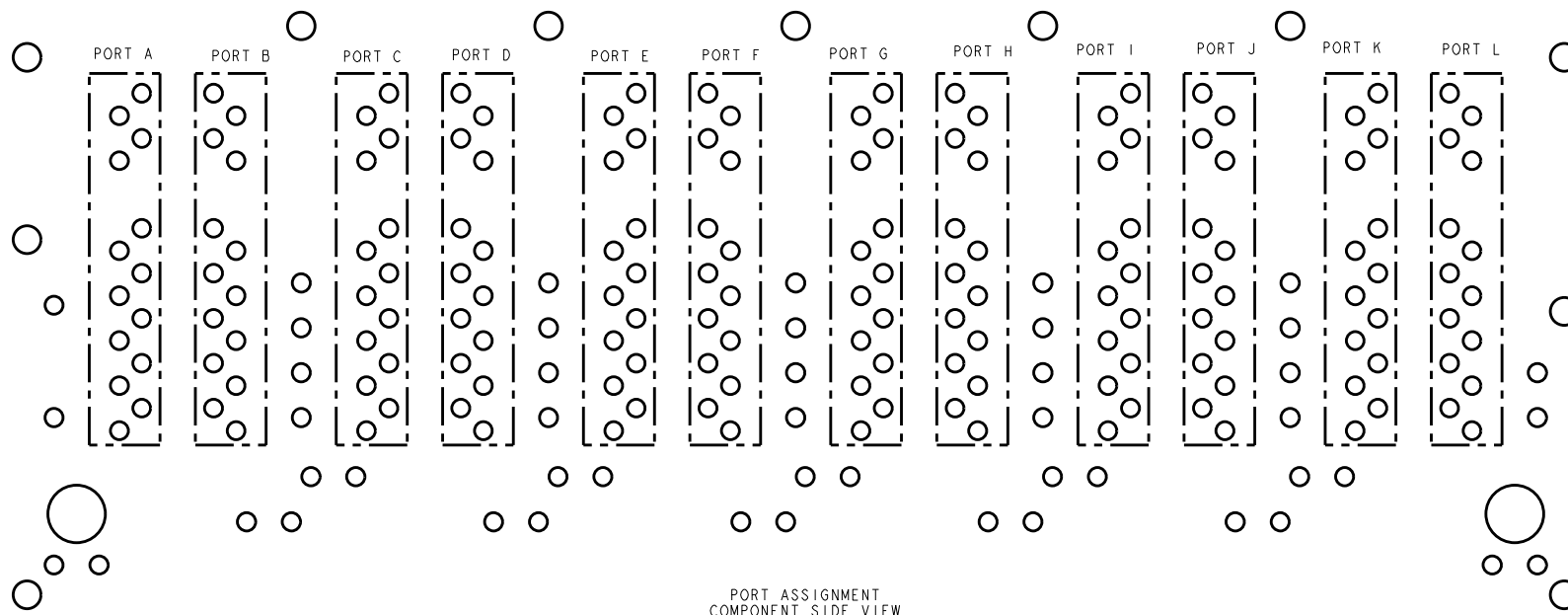
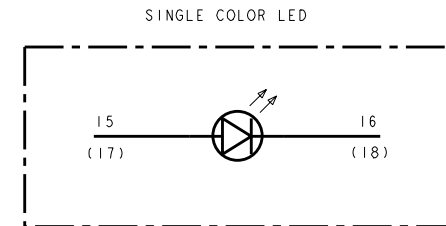
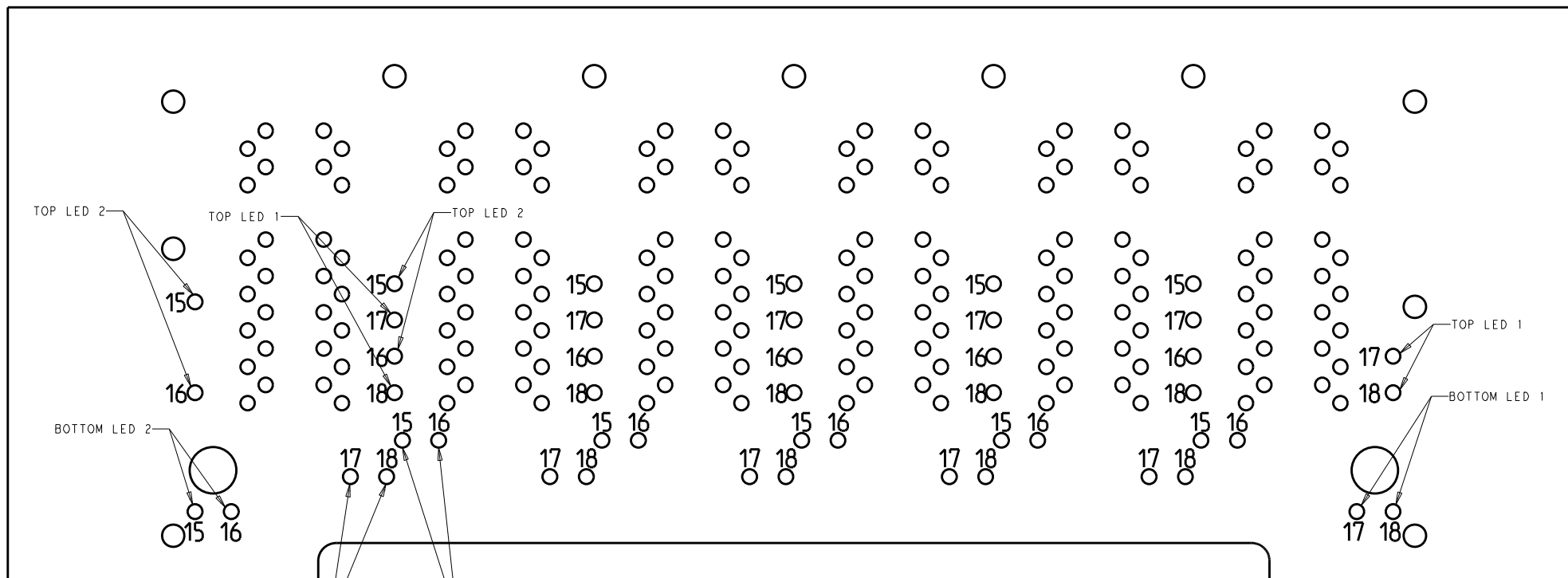
DETAIL A SCALE 5:1



SHOWN WITH PANEL AND CUSTOMER PCB ASSEMBLY

SUGGESTED PANEL CUTOUT DIMENSIONS

THIS DRAWING IS A CONTROLLED DOCUMENT.		DWG: GABRIEL.Z.TERRY.LIN 04SEP2012 CHK: TOMMY.REN 04SEP2012 APVD: KEITH.ZHU 04SEP2012		DONGGUAN CHINA
DIMENSIONS: mm 	TOLERANCES UNLESS OTHERWISE SPECIFIED: 0 PLC ± 1 PLC ± 2 PLC ±0.25 3 PLC ± 4 PLC ±	MODEL NAME: MAGJACK SIZE: STACK 4PPOE	DESC: 2X6 S9HG123 GIGABIT 4PPOE W/ LED SIZE: A1 CAGE CODE: 1840056	
PRODUCT SPEC	APPLICATION SPEC	CUSTOMER DRAWING		



THIS DRAWING IS A CONTROLLED DOCUMENT.		DWG: 04SEP2012 GABRIEL.Z.TERRY.LIN		 DONGGUAN CHINA
DIMENSIONS: mm		CHK: TOMMY.REN 04SEP2012		
TOLERANCES UNLESS OTHERWISE SPECIFIED:		APVD: KEITH.ZHU 04SEP2012		 trp CONNECTOR
0 PLC ± 1 PLC ± 2 PLC ±0.25 3 PLC ± 4 PLC ±		MODEL NAME: MAGJACK DESC: 2X6 S9HG123 GIGABIT 4PPoE W/ LED		SIZE: A1 CAGE CODE: - DRAWING NO: 1840056
PRODUCT SPEC	APPLICATION SPEC	CUSTOMER DRAWING		RESTRICTED TO: - SCALE: NTS SHEET: 4 OF 4 REV: B