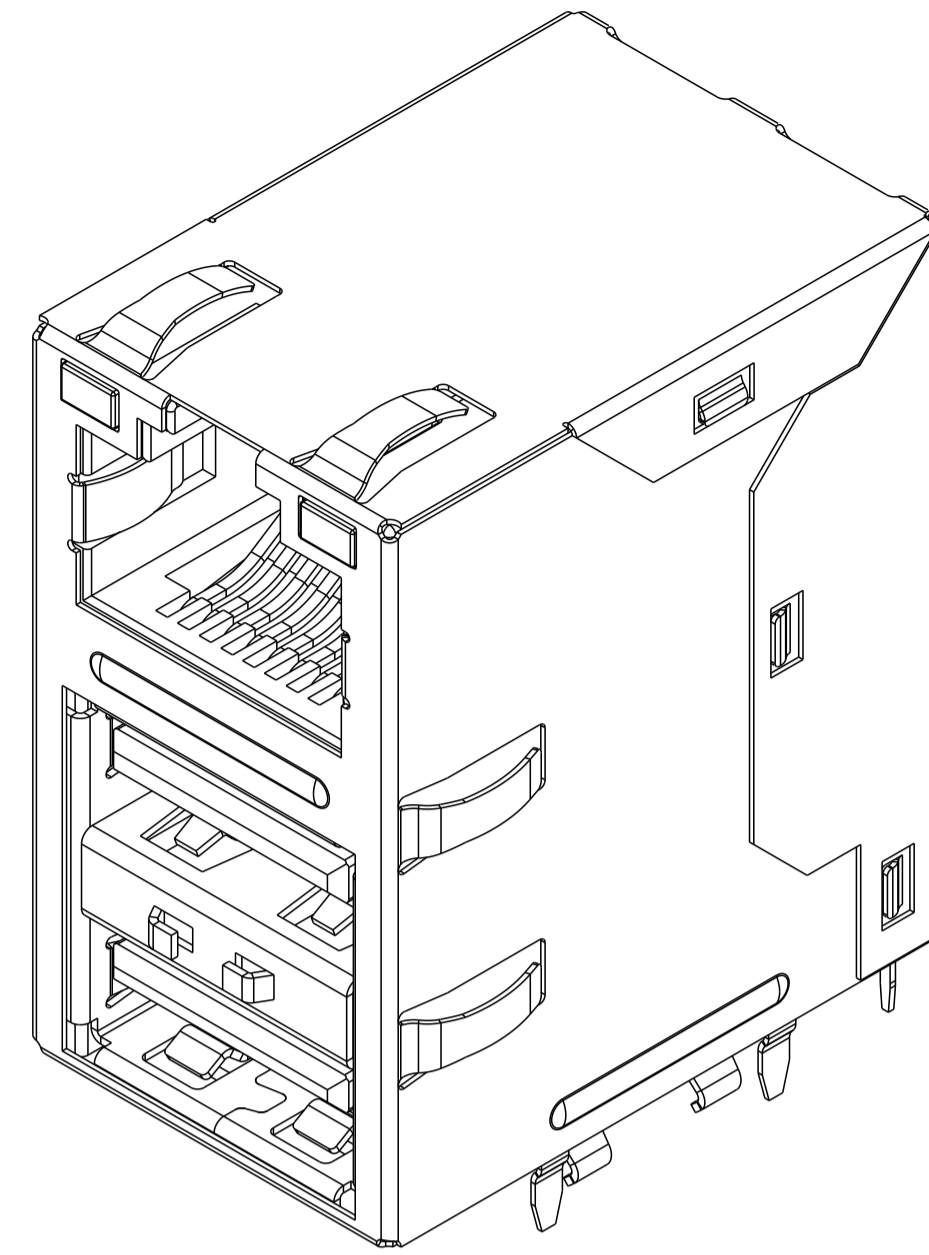
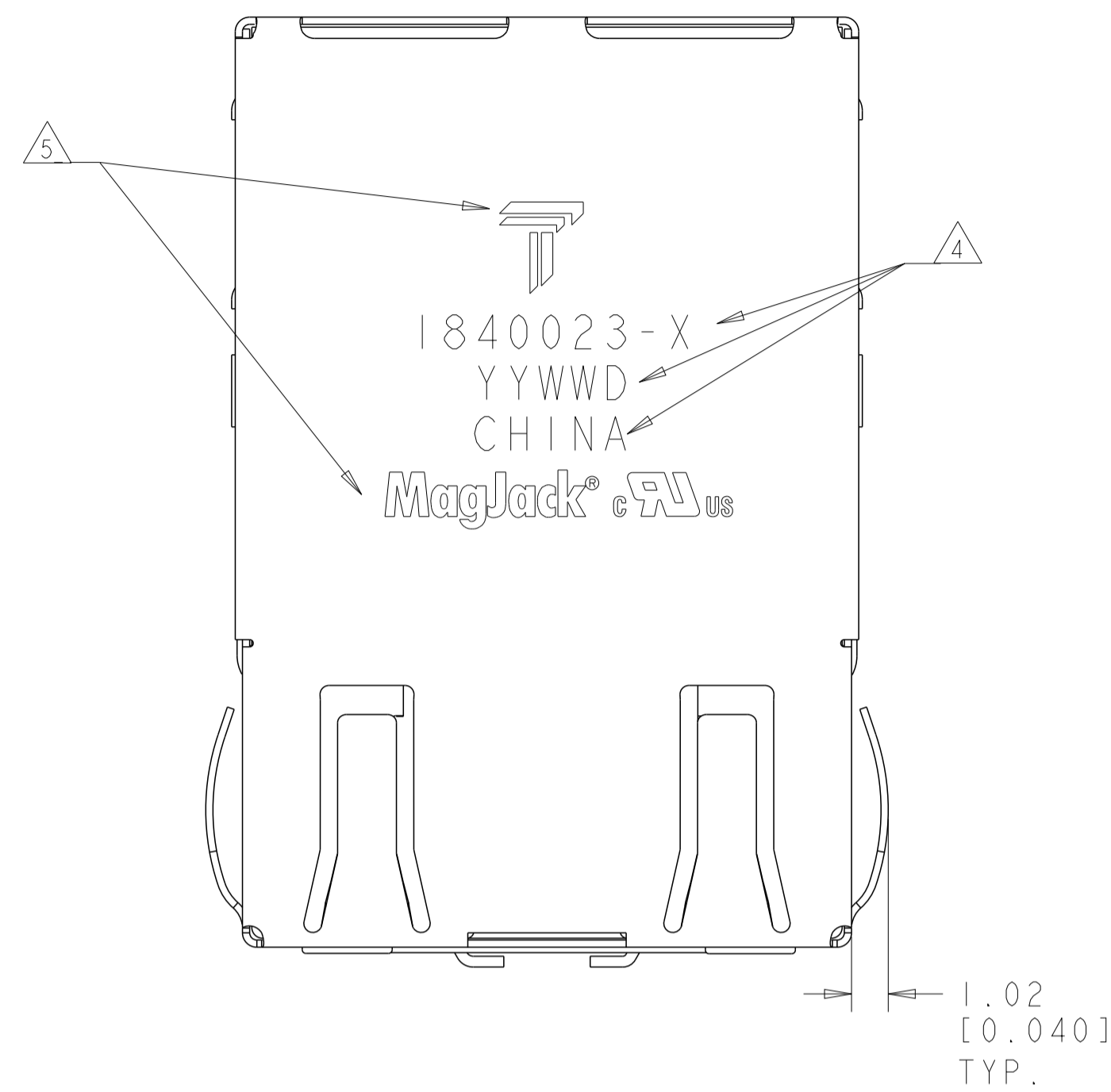


THIS DRAWING AND THE SUBJECT MATTER SHOWN THEREON ARE CONFIDENTIAL AND THE PROPERTY OF BEL/STEWART/TRP CONNECTOR AND SHALL NOT BE REPRODUCED, COPIED, OR USED IN ANY MANNER WITHOUT THE WRITTEN CONSENT OF TRP CONNECTOR.

PRODUCT MAY BE PROTECTED BY ONE OR MORE OF THE FOLLOWING US PATENTS:
 5736910 5939955 6425781 6428361 6554638 6840817 7123117
 7429195 7717749 7808751 6217391 6149050 7924130

REVISIONS					
P.	LTN	DESCRIPTION	DATE	DMN	APVD
F		EC-1411035 COMPANY LOGO CHANGE.	21JAN2015	QL	TY



- △ USB MATERIALS:
 SHELL: PHOSPHOR BRONZE
 HOUSING: THERMOPLASTIC, BLACK, FLAMMABILITY RATING UL94V-0.
 CONTACT: PHOSPHOR BRONZE WITH SELECTIVE GOLD PLATING
 SPRING CLIP: PHOSPHOR BRONZE
- RJ45 MATERIALS:
 HOUSING: THERMOPLASTIC, BLACK, FLAMMABILITY RATING UL94V-0.
 SHIELD: BRASS, PREPLATED WITH 0.76μm SEMI-BRIGHT NICKEL,
 POST DIPPED WITH 2.54μm MIN SAC SOLDER ON SOLDER TAILS.
 CONTACTS: PHOSPHOR BRONZE, 0.30 mm THK, 1.27μm MIN OVERALL NICKEL
 UNDERPLATE WITH SELECT 0.76μm MIN GOLD AT MATING INTERFACE
 AND 2.54μm MIN MATTE TIN AND/OR SAC SOLDER ON SOLDER TAILS.
- LED: DIFFUSED EPOXY LENS, 0.5 X 0.5 CARBON STEEL WIREFRAME
 LEADS PREPLATED WITH 2.03μm MIN SILVER OVER 1.02μm MIN NICKEL
 UNDERPLATE OVER 1.02μm COPPER UNDERPLATE. POST-PLATED WITH
 2.54μm MIN MATTE TIN AND/OR SAC SOLDER DIP OR PURE TIN SOLDER DIP.

- △ MAGNETICS
 -APPLICATION : 10/100/1000 BASE-T
 -IMPEDANCE: 100 OHMS
 -TURNS RATIO(CHIP:CABLE): 1:1 ALL FOUR PAIRS
 -OPEN CIRCUIT INDUCTANCE(OCL): 350uH MIN @100kHz, 0.1 VRMS,
 8mADC BIAS FROM 0°C TO 70°C, ALL FOUR PAIRS
 -RISE TIME (10%-90%): 2.5ns TYPICAL;
 -ALL FOUR PAIRS BI-DIRECTIONAL
 -PERFORMANCE @ 25°C:
 INSERTION LOSS (IL): 1.1 dB MAX FROM 0.5MHz TO 100MHz
 RETURN LOSS (RL): 18dB MIN FROM 0.5MHz TO 40MHz
 12-20LOG(f/80)dB MIN FROM 40.1 MHz TO 100MHz
 CROSSTALK ATTENUATION: 35 dB MIN FROM 0.5 MHz TO 40 MHz
 33-20LOG(f/50) dB MIN FROM 40.1 MHz TO 100 MHz
 COMMON MODE REJECTION RATIO (CMRR): 30dB MIN FROM 0.5MHz TO 100MHz
 -ISOLATION VOLTAGE: COMPLIES WITH IEEE802.3 2002, PARA 40.6.1.1, ITEM a and b.

3. OPERATING TEMPERATURE: 0°C TO + 70°C.

△ PART NUMBER, DATE CODE AND COUNTRY OF ORIGIN TO BE LOCATED IN APPROXIMATE AREA SHOWN. DATE CODE: YYWD WHERE YY IS YEAR, WW IS WORK WEEK, D IS DAY OF WEEK, WITH SUNDAY=1

△ AGENCY APPROVAL LOGO AND TRP CONNECTOR LOGO LOCATED IN APPROXIMATE AREA SHOWN.

△ RECOMMENDED PCB THICKNESS 1.5mm (.062") THICK. DATUM LOCATION AND DIMENSION TO BE ESTABLISHED BY CUSTOMER.

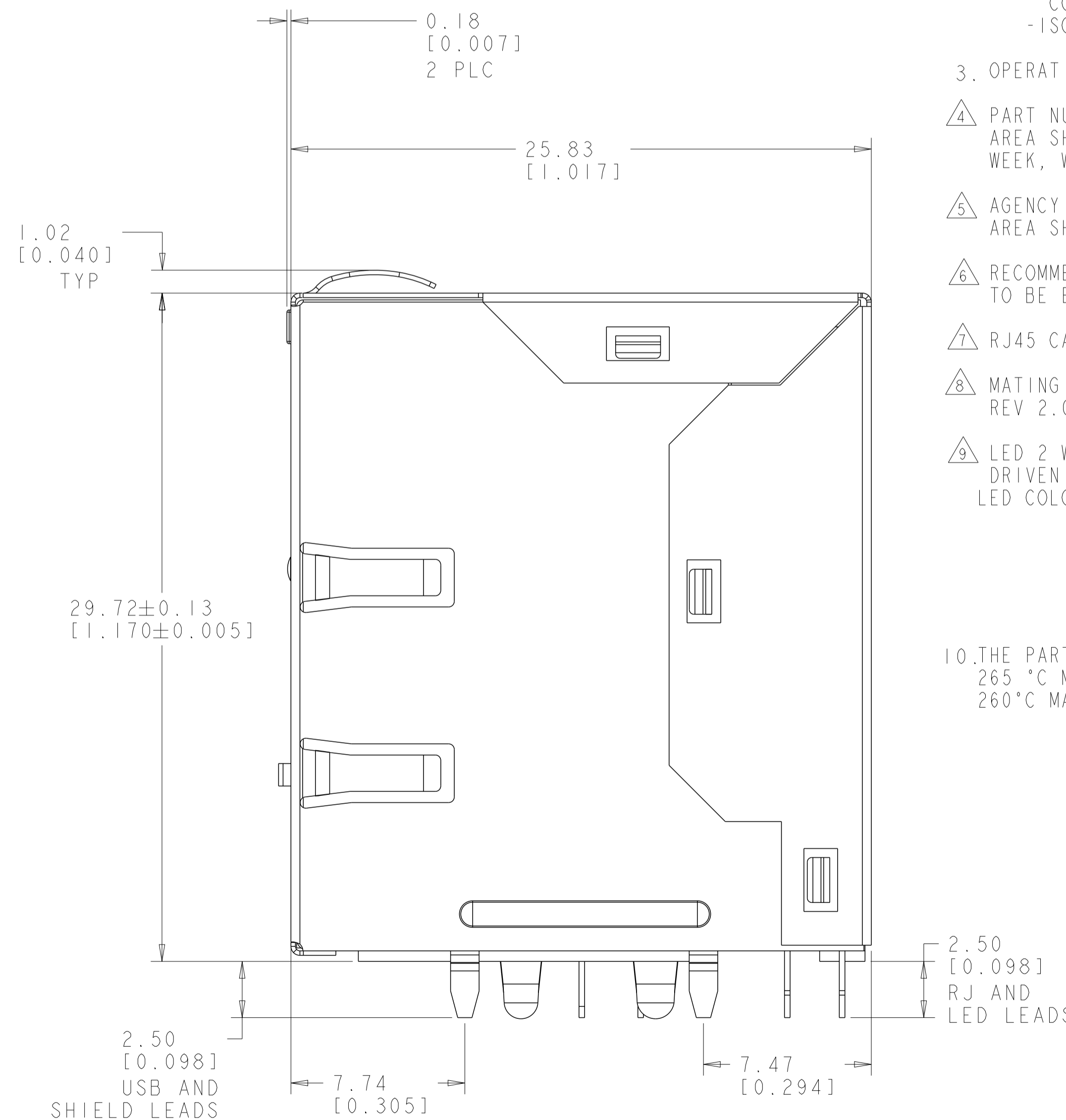
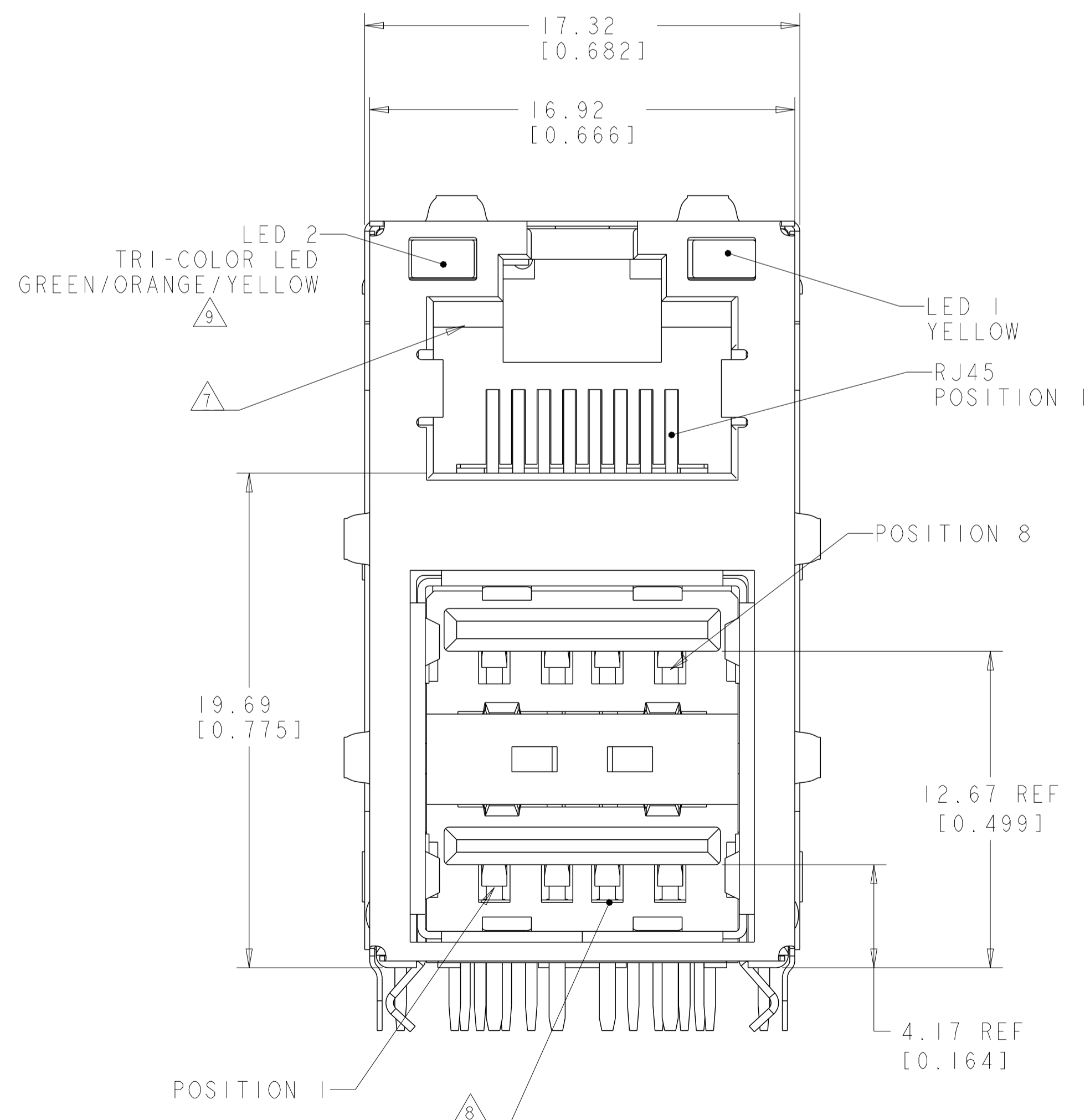
△ RJ45 CAVITY CONFORMS TO FCC RULES AND REGULATION PART 68 SUBPART F.

△ MATING INTERFACE COMPLIES WITH USB (UNIVERSAL SERIAL BUS) SPECIFICATION REV 2.0.

△ LED 2 WILL EMULATE "YELLOW" LIGHT WHEN BOTH GREEN AND ORANGE DIODES ARE DRIVEN AT CONSTANT CURRENT (20 mA RECOMMENDED) TO INDICATE THE THIRD COLOR STATE.
 LED COLOR: DOMINANT WAVELENGTH (λD): GREEN 568 nm TYP @ IF=20 mA
 FORWARD VOLTAGE (VF): GREEN 2.2V TYP @ IF=20 mA

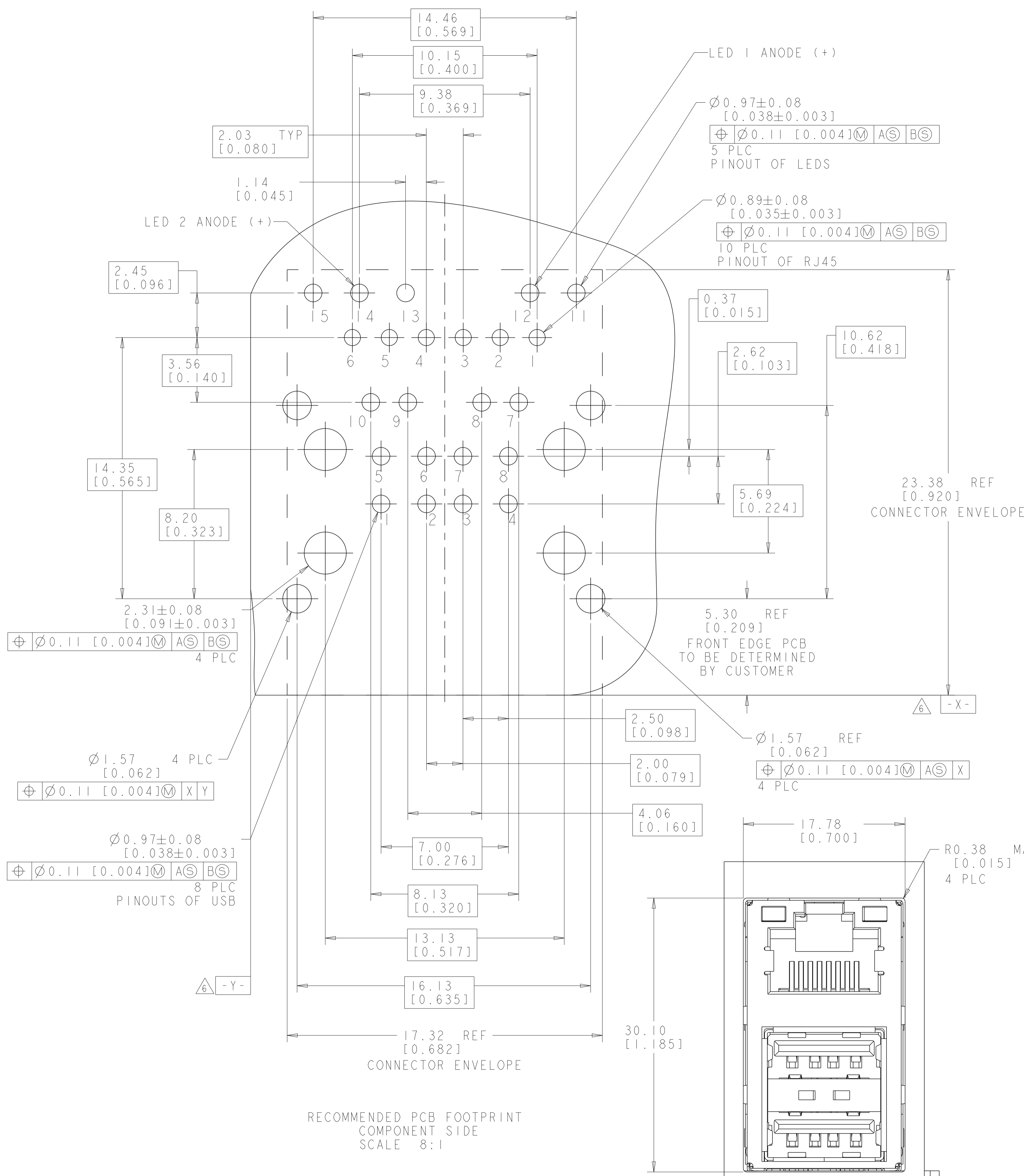
DOMINANT WAVELENGTH (λD): YELLOW 588 nm TYP @ IF=20 mA FOR LED1
 FORWARD VOLTAGE (VF): YELLOW 2.1V TYP @ IF=20 mA FOR LED1
 DOMINANT WAVELENGTH (λD): ORANGE 608 nm TYP @ IF=20 mA
 FORWARD VOLTAGE (VF): ORANGE 2.1V TYP @ IF=20 mA

10. THE PART IS COMPLIANT WITH BOTH WAVE SOLDERING PROCESS, PEAK SOLDERING TEMPERATURE 265 °C MAX, 10 SECONDS MAX; AND IR REFLOW SOLDERING PROCESS, PEAK SOLDERING TEMPERATURE 260°C MAX DURATION TIME 10 SECONDS MAX, OVER 230 °C WITHIN 40-60 SECONDS.



1840023-1
PART NUMBER

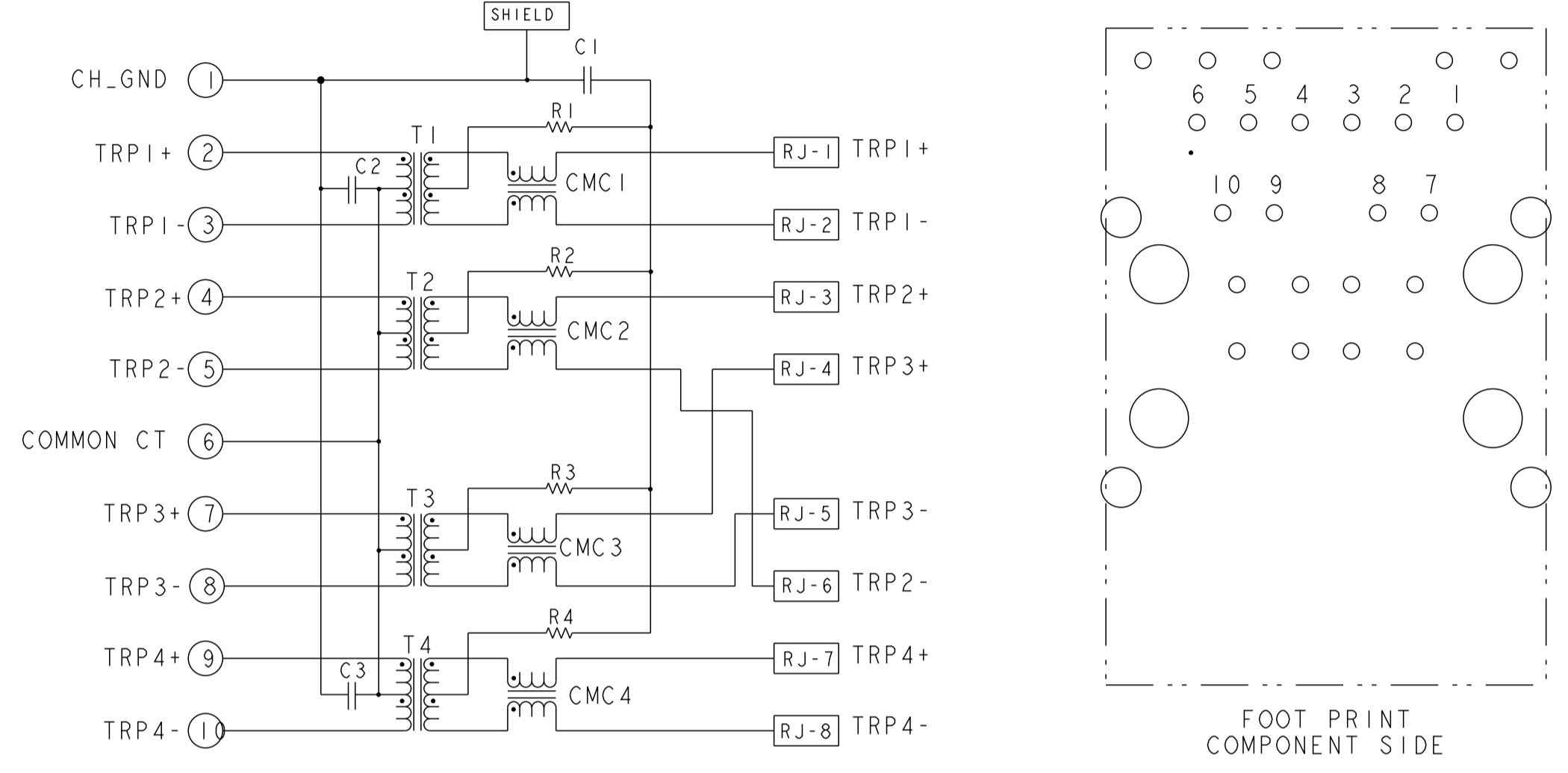
THIS DRAWING IS A CONTROLLED DOCUMENT.		DMN: RECHARD QIAN 04MAR2009	TRP CONNECTOR a bel group DONGGUAN CHINA
DIMENSIONS: mm		CHK: HE SEAN 04MAR2009	
TOLERANCES UNLESS OTHERWISE SPECIFIED:		APVD: LI JUN RAO 04MAR2009	DESC: RJ45 OVER DUAL USB URG12 GIGABIT W/ LED
0 PLC ±	1 PLC ±	2 PLC ±0.25	SIZE: A1
3 PLC ±0.25	4 PLC ±	ANGLES ±	CAGE CODE: C=1840023
PRODUCT SPEC 108-104005	APPLICATION SPEC -		RESTRICTED TO: -
MAGJACK OVER USB NON-POE			SCALE: 1 OF 2 REV F



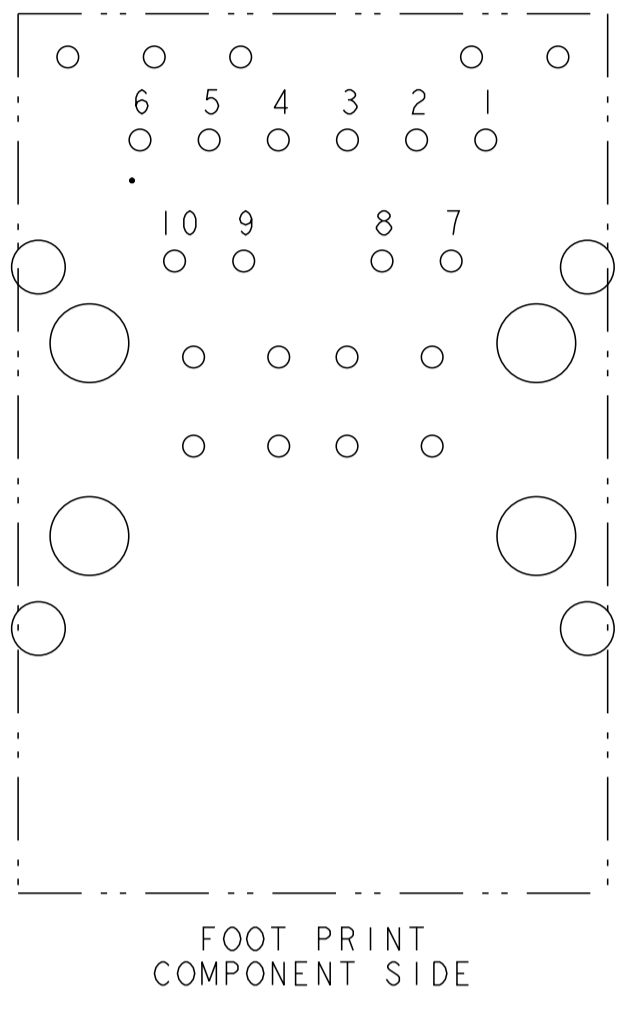
RECOMMENDED PCB FOOTPRINT
COMPONENT SIDE
SCALE 8:1

SUGGESTED PANEL CUTOUT DIMENSIONS
SCALE 4:1

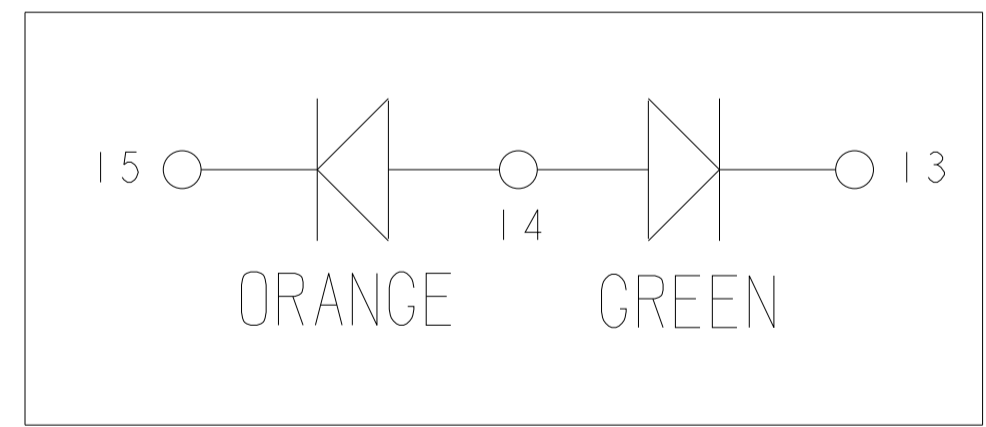
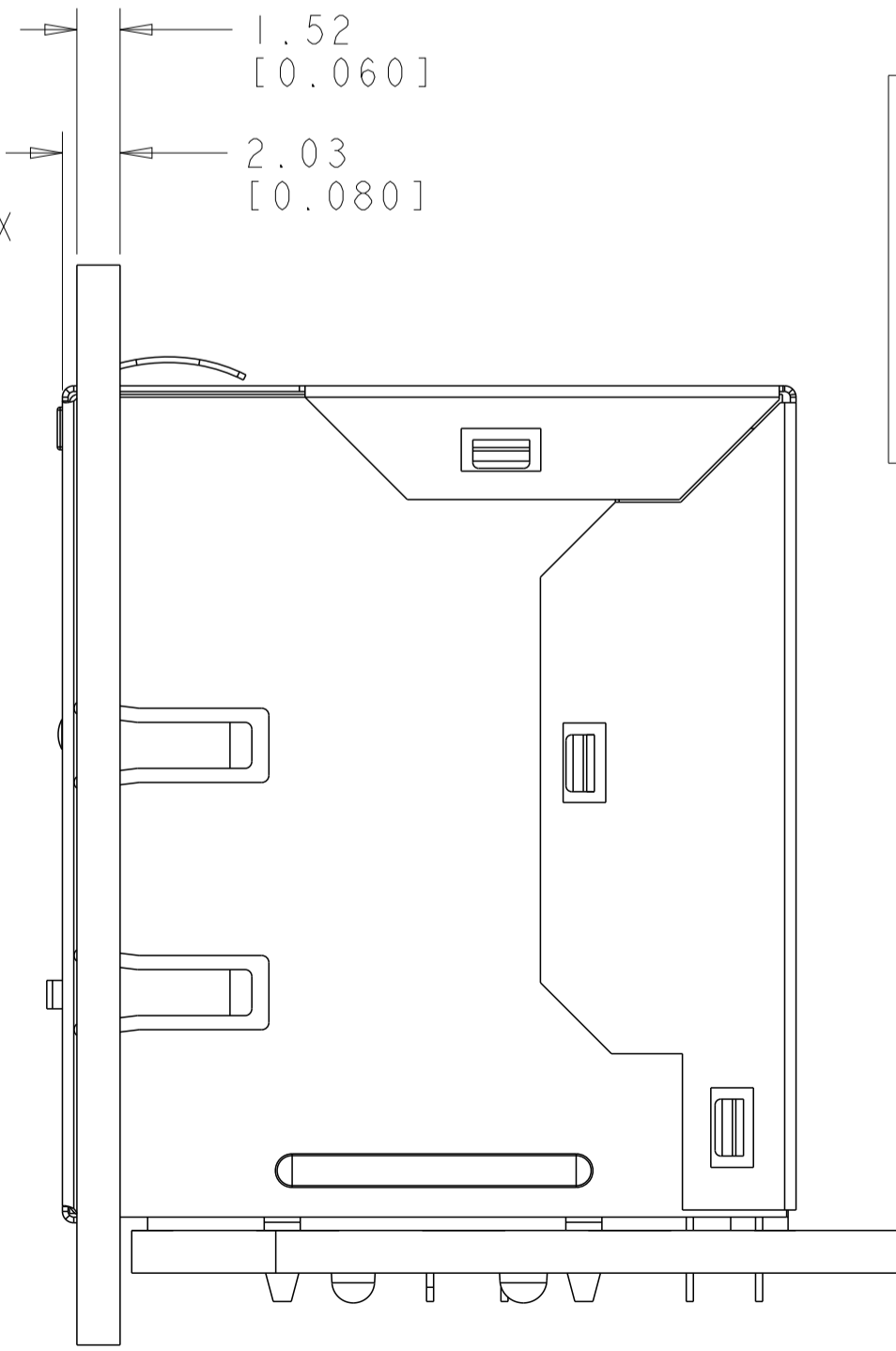
URG12 GIGABIT CIRCUIT



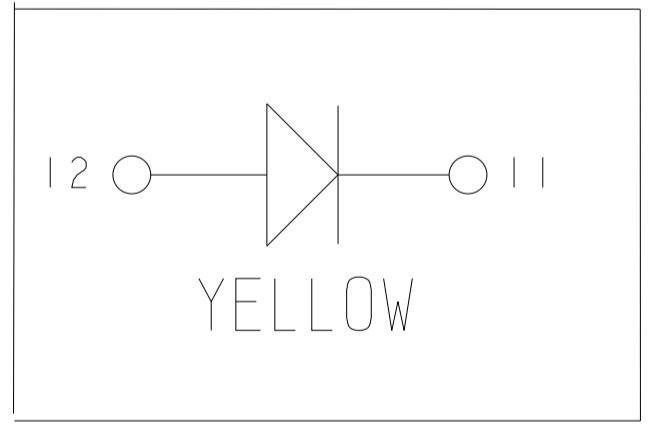
R1-R4 = 75 Ohms, 1/16W, ±5%, RESISTORS
C1 = 1000pF, 3kV, DECOUPLING CAP
C2-C3 = 0.01uF, 50V, ±10%, CAPACITORS



FOOT PRINT
COMPONENT SIDE



LED 2



LED 1

THIS DRAWING IS A CONTROLLED DOCUMENT.		DWN: RECHARD QIAN 04MAR2009			DONGGUAN CHINA
DIMENSIONS: mm		CHK: HE SEAN 04MAR2009			
TOLERANCES UNLESS OTHERWISE SPECIFIED:		APVD: LI JUN RAO 04MAR2009		DESC: RJ45 OVER DUAL USB URG12 GIGABIT W/ LED	
0 PLC ±	1 PLC ±	MODEL NAME: MAGJACK OVER USB NON-POE		SIZE: A1	RESTRICTED TO: -
2 PLC ±0.25	3 PLC ±0.25	CUSTOMER DRAWING		SCALE: -	SHEET 2 OF 2
4 PLC ±	ANGLES ±	108-104005		C=1840023	REV F