

THE INFORMATION CONTAINED HEREIN IS CONSIDERED "PROPRIETARY" TO BEL FUSE INC. AND SHALL NOT BE COPIED, REPRODUCED OR DISCLOSED WITHOUT THE WRITTEN APPROVAL OF BEL FUSE INC.

RoHS  
2002/95/EC



LED1 POLARITY			LED2 POLARITY		
PIN 7	PIN 8	COLOR	PIN 9	PIN 10	COLOR
-	+	GREEN	-	+	YELLOW

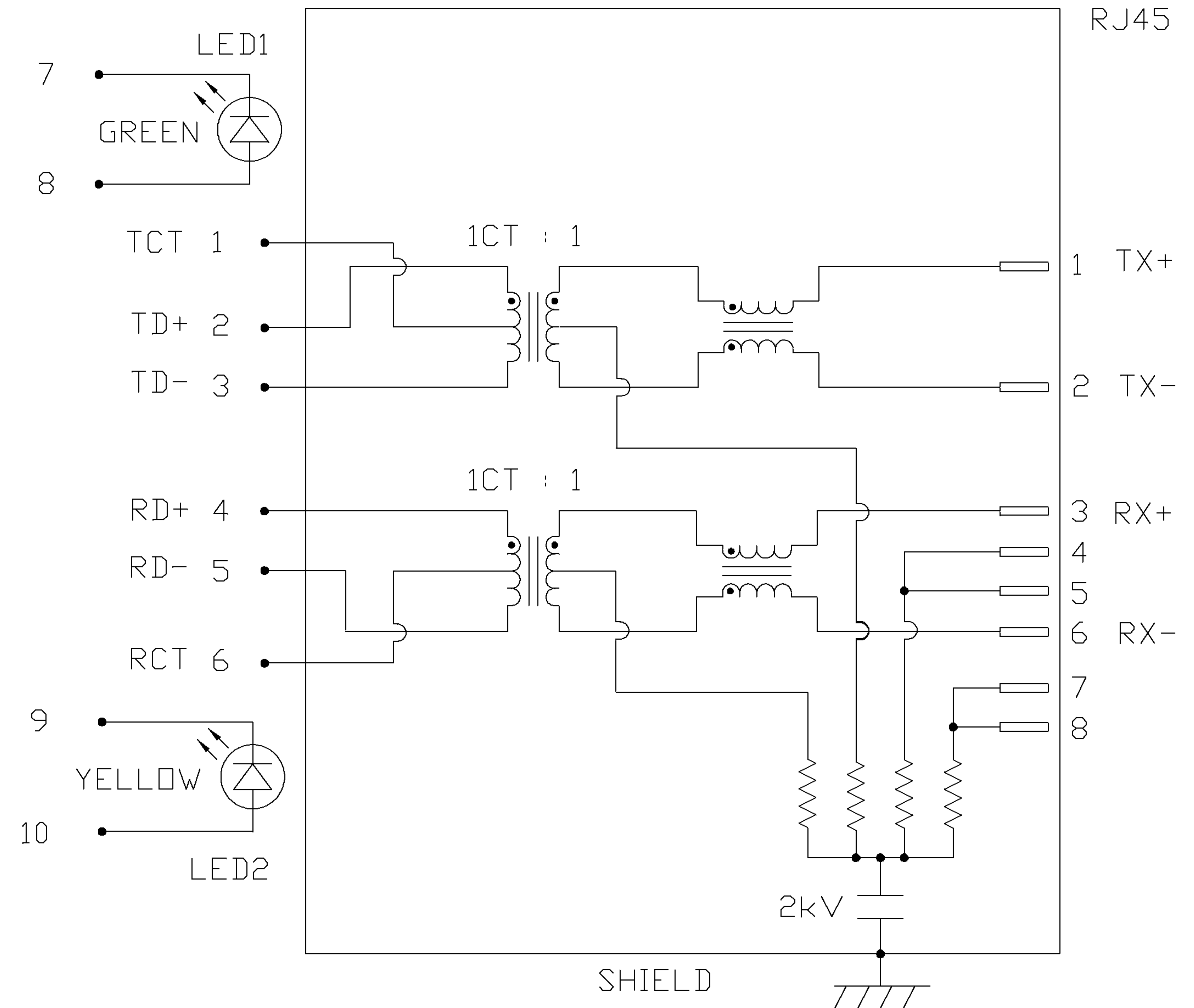
ELECTRICAL CHARACTERISTICS @ 25°C

URNS RATIO	
TX	1CT : 1
RX	1CT : 1
QCL @ 100kHz/100mVRMS	
8mA DC BIAS	350μH MIN.
INS. LOSS	
1MHz TO 100MHz	-1.0 dB MAX
RET. LOSS (MIN)	
1MHz-30MHz	-18 dB
30MHz-60MHz	-18+20LOG(F/30MHz) dB
60MHz-80MHz	-12 dB
CROSS TALK (TX - RX)	
500kHz-1MHz	-70 dB MIN
10 MHz	-50 dB MIN
30 MHz	-45 dB MIN
50 MHz	-40 dB MIN
100 MHz	-35 dB MIN
CM TO CM REJ	
100kHz-1MHz	-70 dB MIN
10 MHz	-47 dB MIN
30 MHz	-42 dB MIN
60 MHz	-37 dB MIN
100 MHz	-30 dB MIN
CM TO DM REJ	
100kHz-1MHz	-70 dB MIN
10 MHz	-60 dB MIN
30 MHz	-50 dB MIN
60 MHz	-45 dB MIN
100 MHz	-40 dB MIN
HIPOT (Isolation Voltage):	1500 Vrms

100% OF PRODUCTION TESTED TO COMPLY WITH IEEE 802.3 ISOLATION REQUIREMENTS.

LED 1			
VF (FORWARD VOLTAGE)	IF=20mA	GREEN	2.2V TYP.
λ D (DOMINANT WAVELENGTH)	IF=20mA	GREEN	565nm TYP.
LED 2			
VF (FORWARD VOLTAGE)	IF=20mA	YELLOW	2.1V TYP.
λ D (DOMINANT WAVELENGTH)	IF=20mA	YELLOW	590nm TYP.

SCHEMATIC

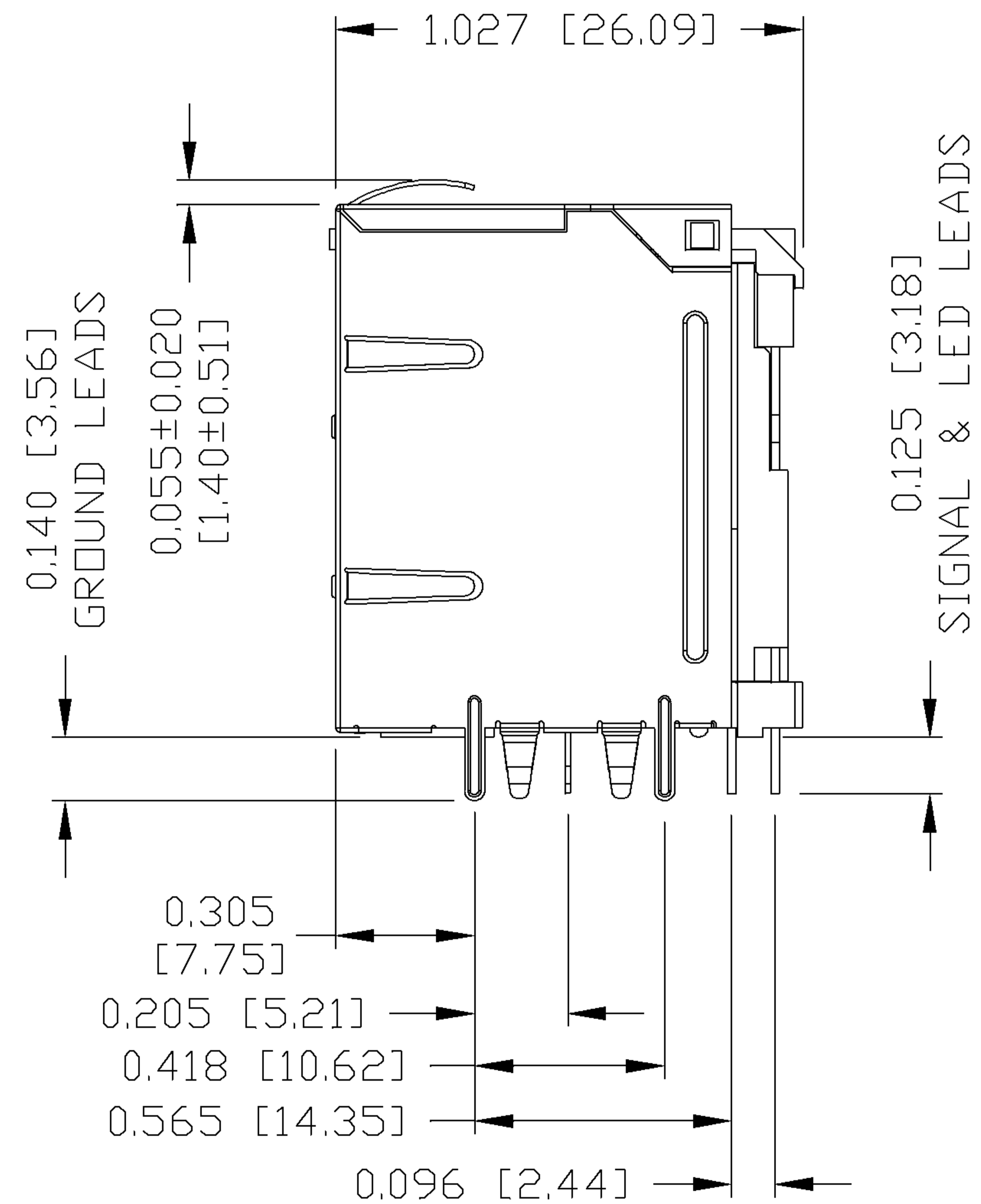
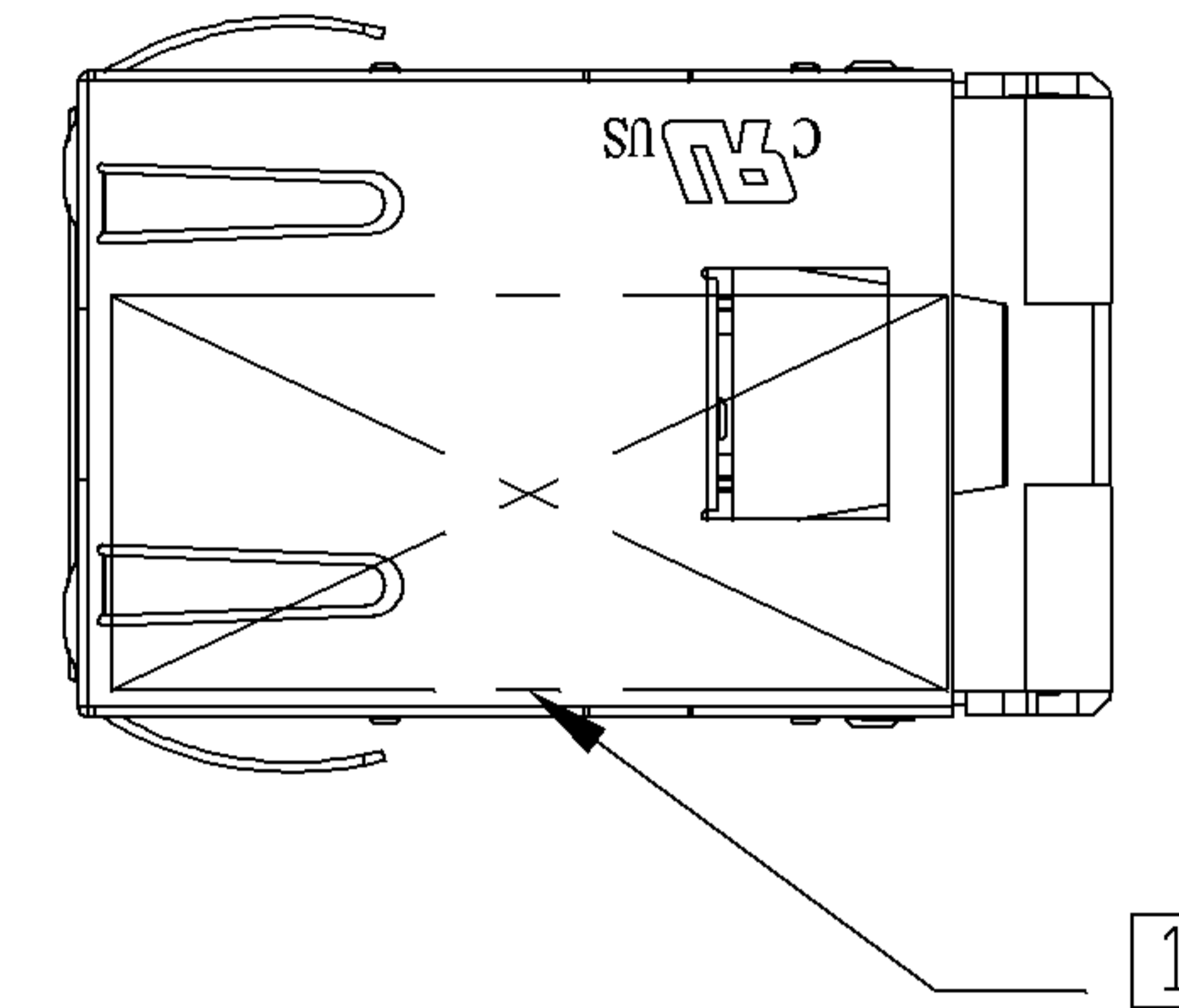
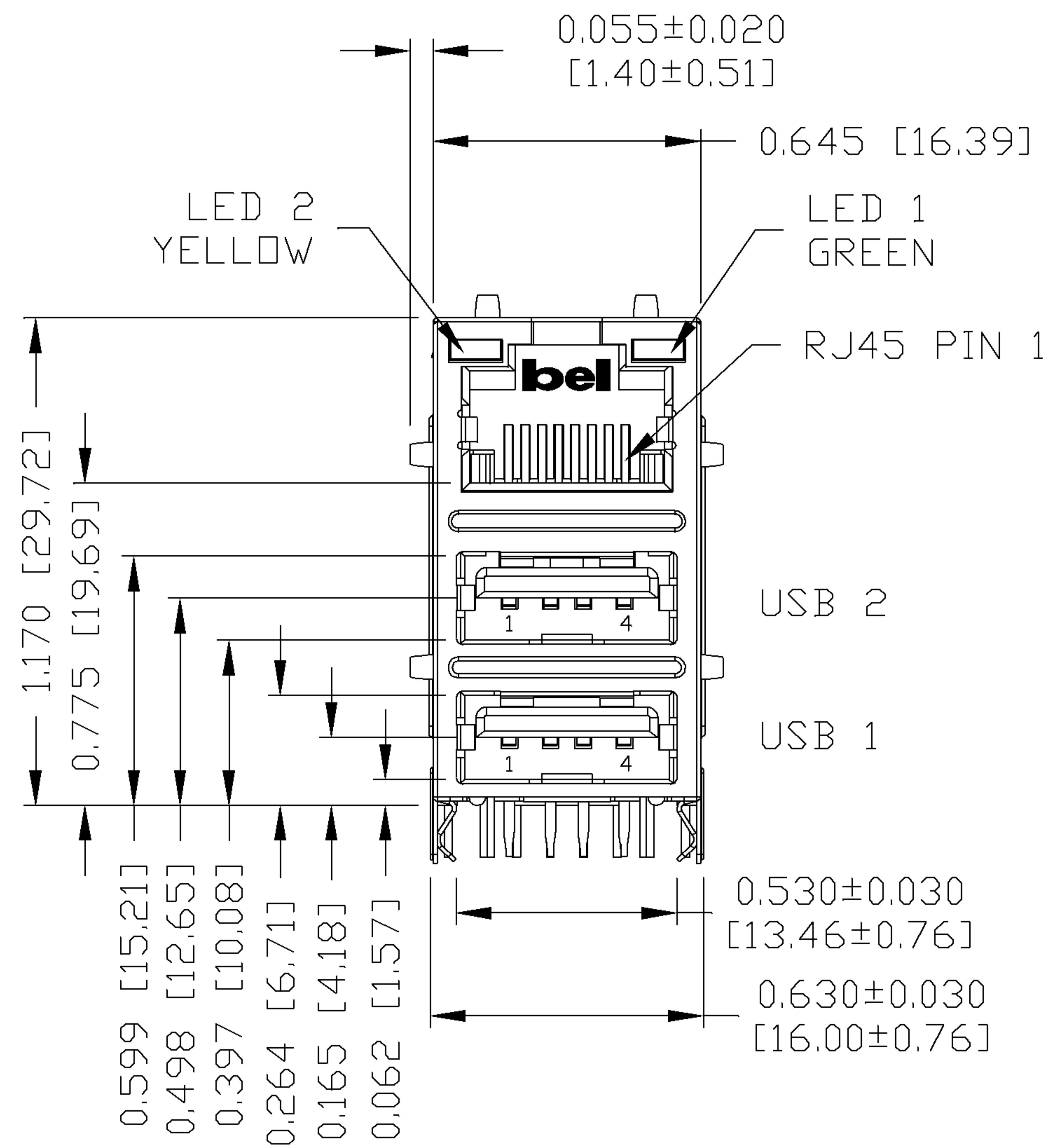
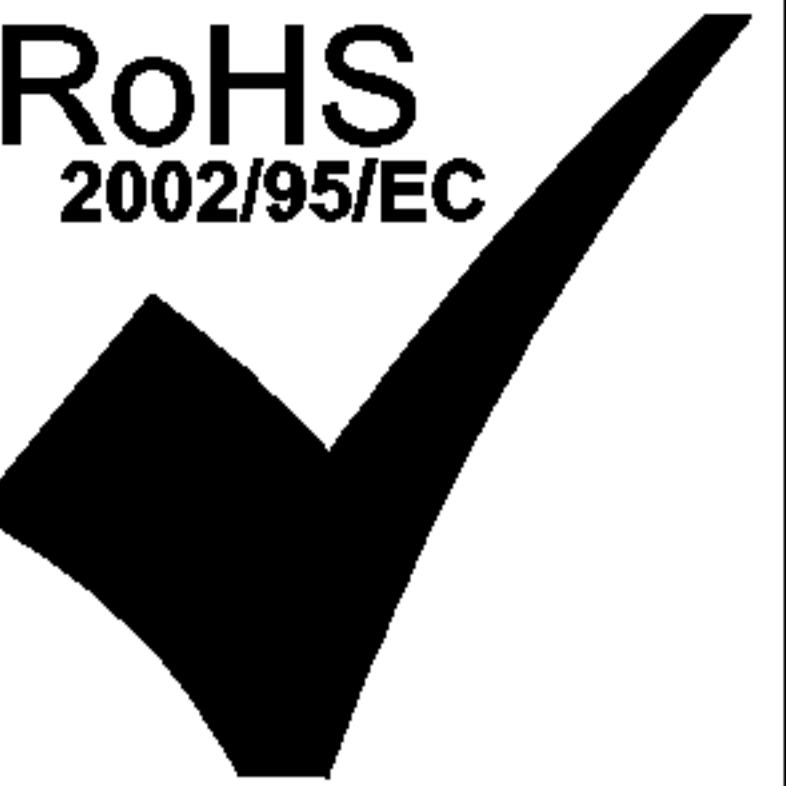


USB ELECTRICAL:  
INSULATION RESISTANCE: 1000 MEG W(MIN)  
CONTACT RESISTANCE: 25 MILLI W(MAX)  
DIELECTRIC WITHSTANDING: 750 VAC

ORIGINATED BY CHOW WANCHUNG	DATE 12-25-07	TITLE MagJack® Combo (4 Cores, MDIX, CM TERMINATION)	PART NO. / DRAWING NO. 08C2-1D1T-06	STANDARD DIM. TOL. IN INCH .X .XX .XXX	[ ] METRIC DIM. AS REFERENCE UNIT : INCH [mm] SCALE : N/A	REV. : B SIZE : A4 PAGE : 2	<p>COMPONENTS FOR A CONNECTED PLANET</p>
DRAWN BY DENG PING	DATE 12-25-07	FILE NAME 08C2-1D1T-06_B.DWG					

THE INFORMATION CONTAINED HEREIN IS CONSIDERED "PROPRIETARY" TO BEL FUSE INC. AND SHALL NOT BE COPIED, REPRODUCED OR DISCLOSED WITHOUT THE WRITTEN APPROVAL OF BEL FUSE INC.

MECHANICAL SPECIFICATION



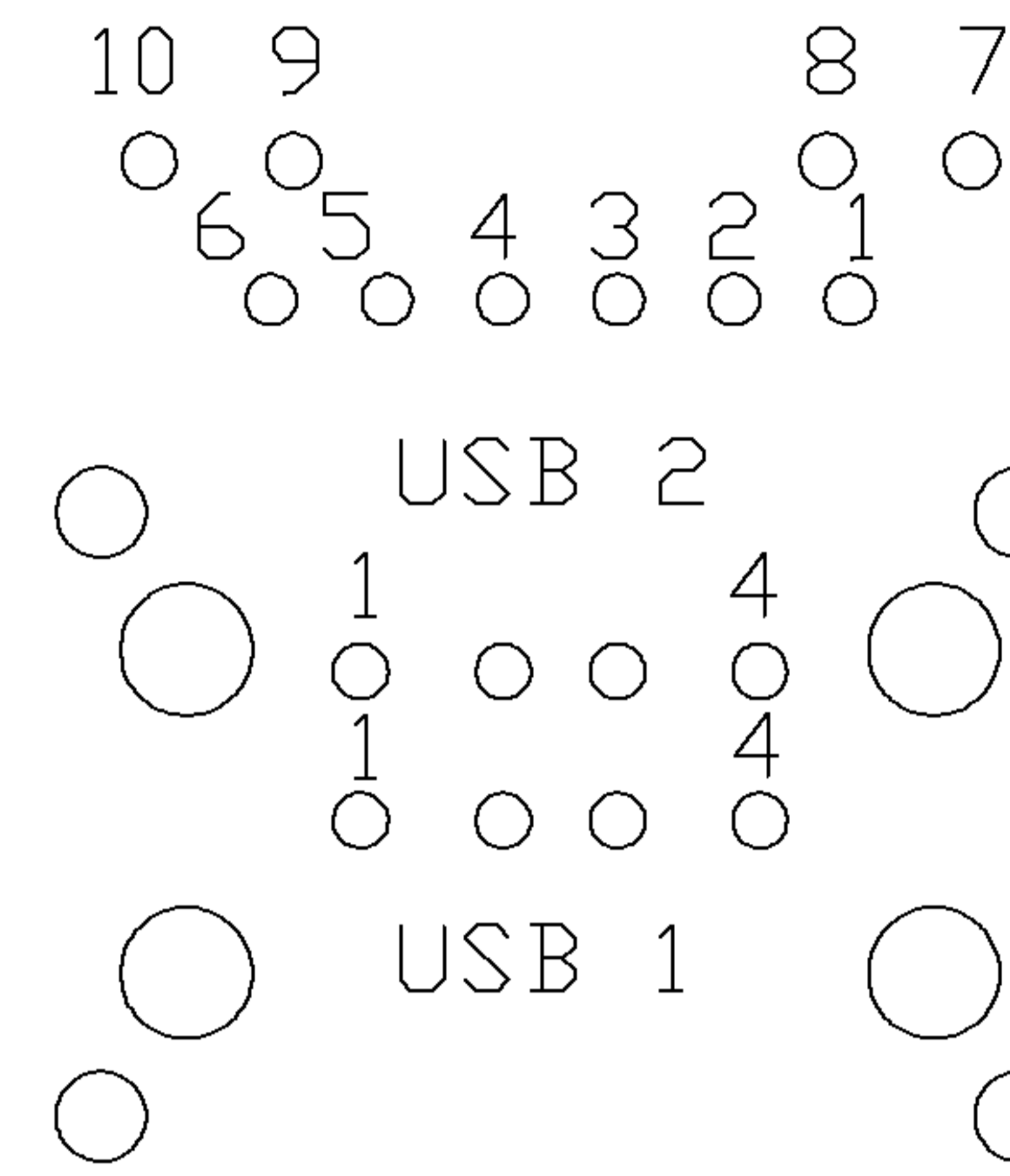
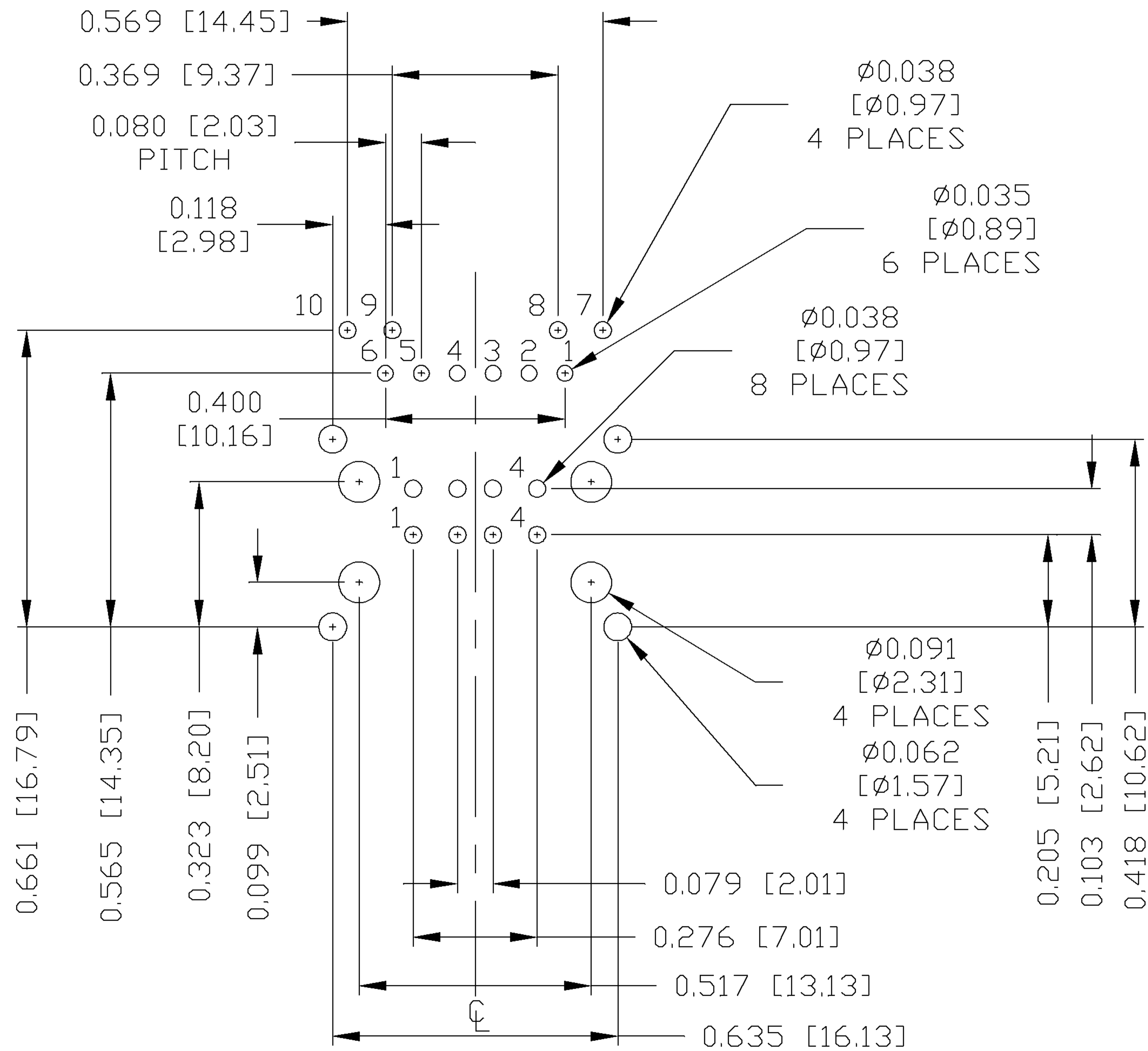
ORIGINATED BY LIU QIN	DATE 12-25-07	TITLE MagJack® Combo (4 Cores, MDIX, CM TERMINATION)	PART NO. / DRAWING NO. 08C2-1D1T-06	STANDARD DIM. TOL. IN INCH	[ ] METRIC DIM. AS REFERENCE	 COMPONENTS FOR A CONNECTED PLANET
DRAWN BY CHEN TING	DATE 12-25-07	FILE NAME 08C2-1D1T-06_B.DWG	.X		UNIT : INCH [mm]	
			.XX		SCALE : N/A	
			.XXX	±0.010		REV. : B SIZE : A4 PAGE : 3

THE INFORMATION CONTAINED HEREIN IS CONSIDERED "PROPRIETARY" TO BEL FUSE INC. AND SHALL NOT BE COPIED, REPRODUCED OR DISCLOSED WITHOUT THE WRITTEN APPROVAL OF BEL FUSE INC.

RoHS  
2002/95/EC



Recommended PCB footprint  
Component Side



RJ45 MECHANICAL:  
PLASTIC HOUSING:  
CONTACT PLATING:  
PINS:  
METAL SHIELD:

THERMOPLASTIC PBT OR EQUIVALENT.  
FLAMMABILITY RATING UL 94V-0  
30 MICRO-INCH HARD GOLD PLATING  
TIN-COATED COPPER WIRE, DIA 0.018 INCH.  
NICKEL PLATED ON COPPER ALLOY.  
(ALL GROUND LEADS ARE SOLDER DIPPED)

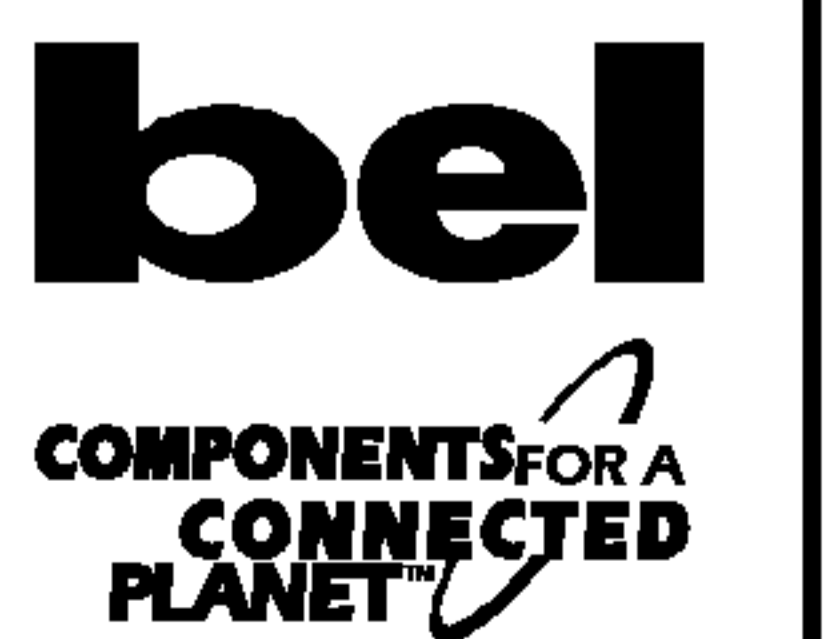
USB MECHANICAL:  
MATING FORCE:  
UNMATING FORCE:  
CONTACT:

35 NEWTONS MAXIMUM  
10 NEWTONS MINIMUM  
PHOSPHOR BRONZE  
30 MICRO-INCH GOLD PLATING ON CONTACT  
AREA AND TIN ON SOLDER TAIL.

**CSA** UL RECOGNIZED - FILE #E196366 AND E169987.

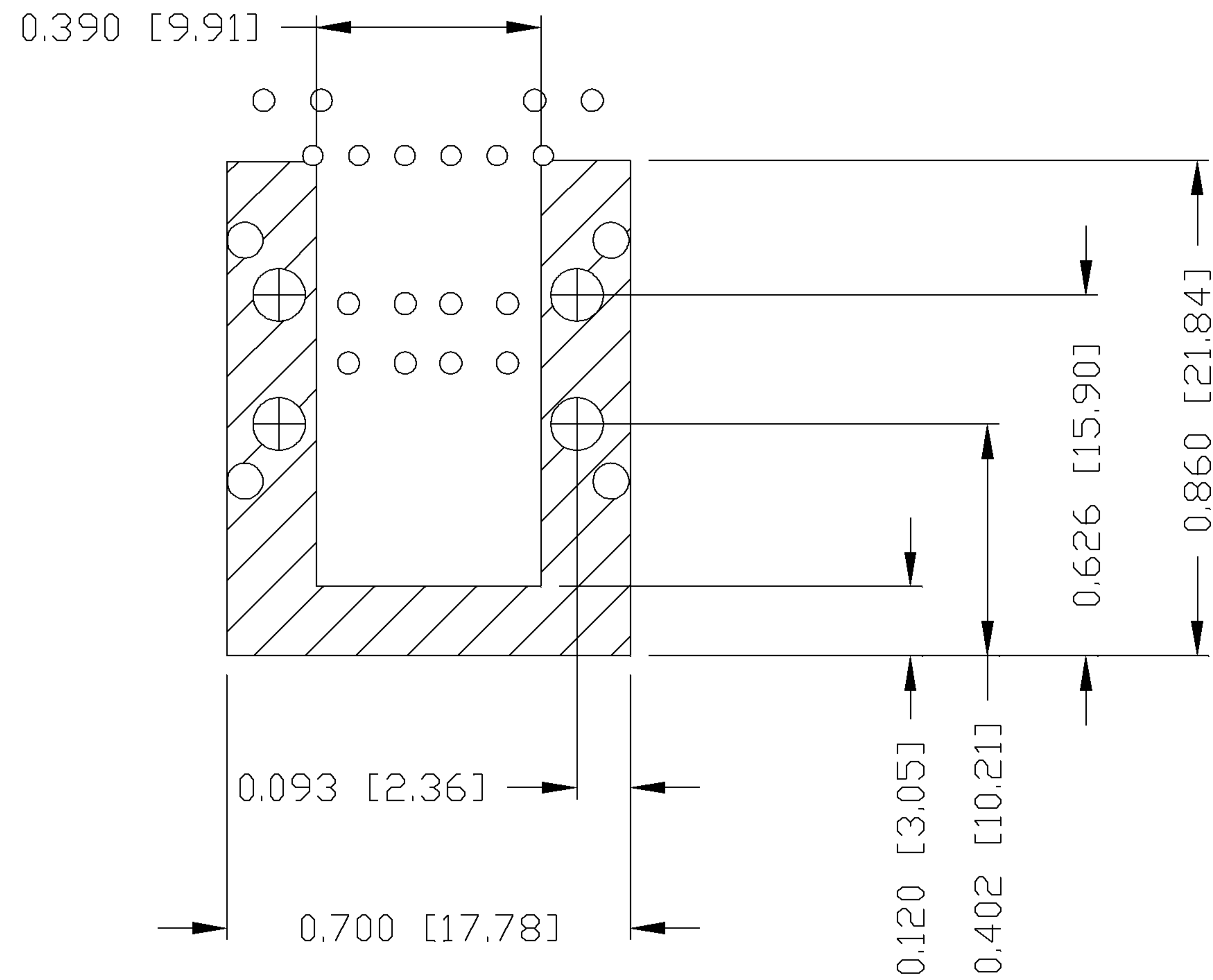
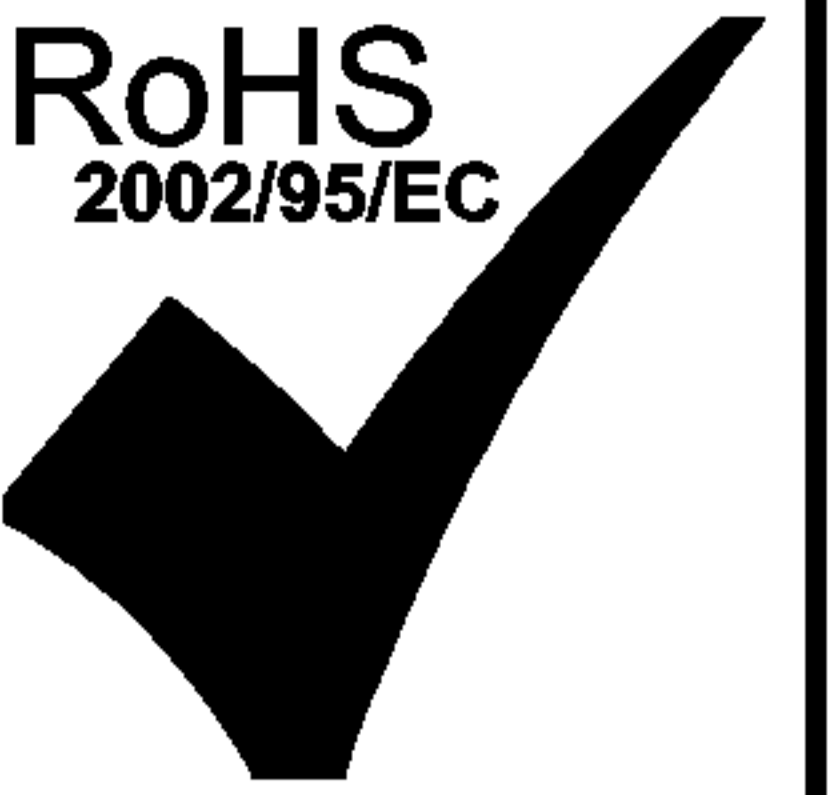
- MARK PART WITH MFG LOGO, MFG NAME, PART NUMBER, AND DATE CODE.
- RoHS COMPLIANCE, PER EU DIRECTIVE 2002/95/EC.
- JACK CAVITY CONFORMS TO FCC RULES AND REGULATIONS.

ORIGINATED BY LIU QIN	DATE 12-25-07	TITLE MagJack® Combo	PART NO. / DRAWING NO. 08C2-1D1T-06	STANDARD DIM. TOL. IN INCH	[ ] METRIC DIM. AS REFERENCE
DRAWN BY CHEN TING	DATE 12-25-07	(4 Cores, MDIX, CM TERMINATION)	FILE NAME 08C2-1D1T-06_B.DWG	.X .XX .XXX	UNIT : INCH [mm] SCALE : N/A REV. : B SIZE : A4 PAGE : 4
				±0.004	





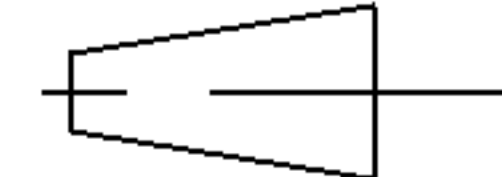
THE INFORMATION CONTAINED HEREIN IS CONSIDERED "PROPRIETARY" TO BEL FUSE INC. AND SHALL NOT BE COPIED, REPRODUCED OR DISCLOSED WITHOUT THE WRITTEN APPROVAL OF BEL FUSE INC.

RoHS  
2002/95/EC



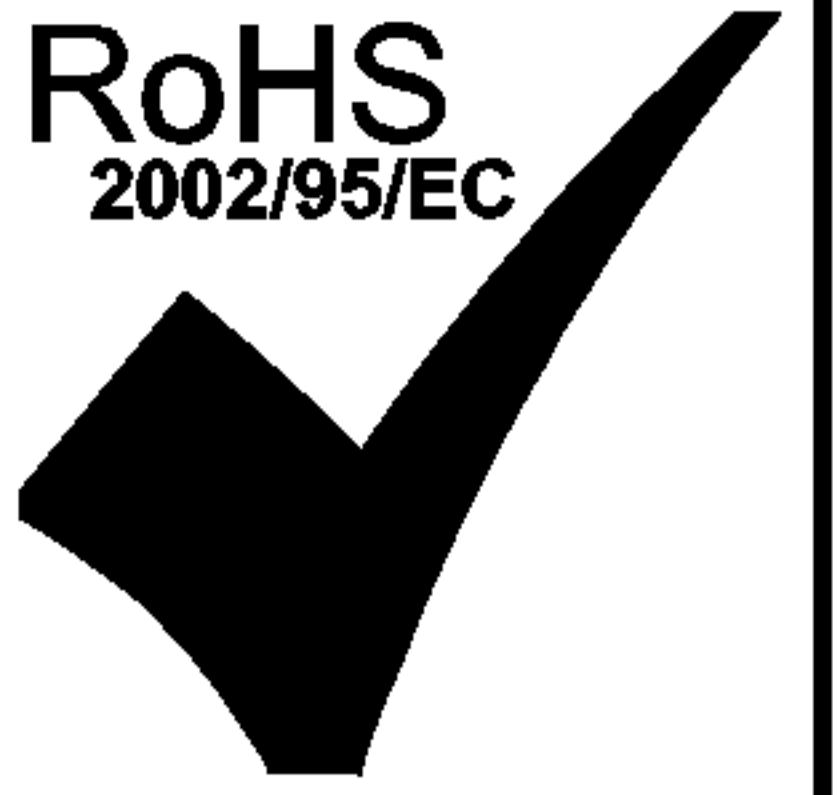
NOTES

THE SHADED AREA ON THE CUSTOMER BOARD ARE RECOMMENDED TO BE CLEAR OFF ANY VIA HOLE OR COMPONENT PAD.

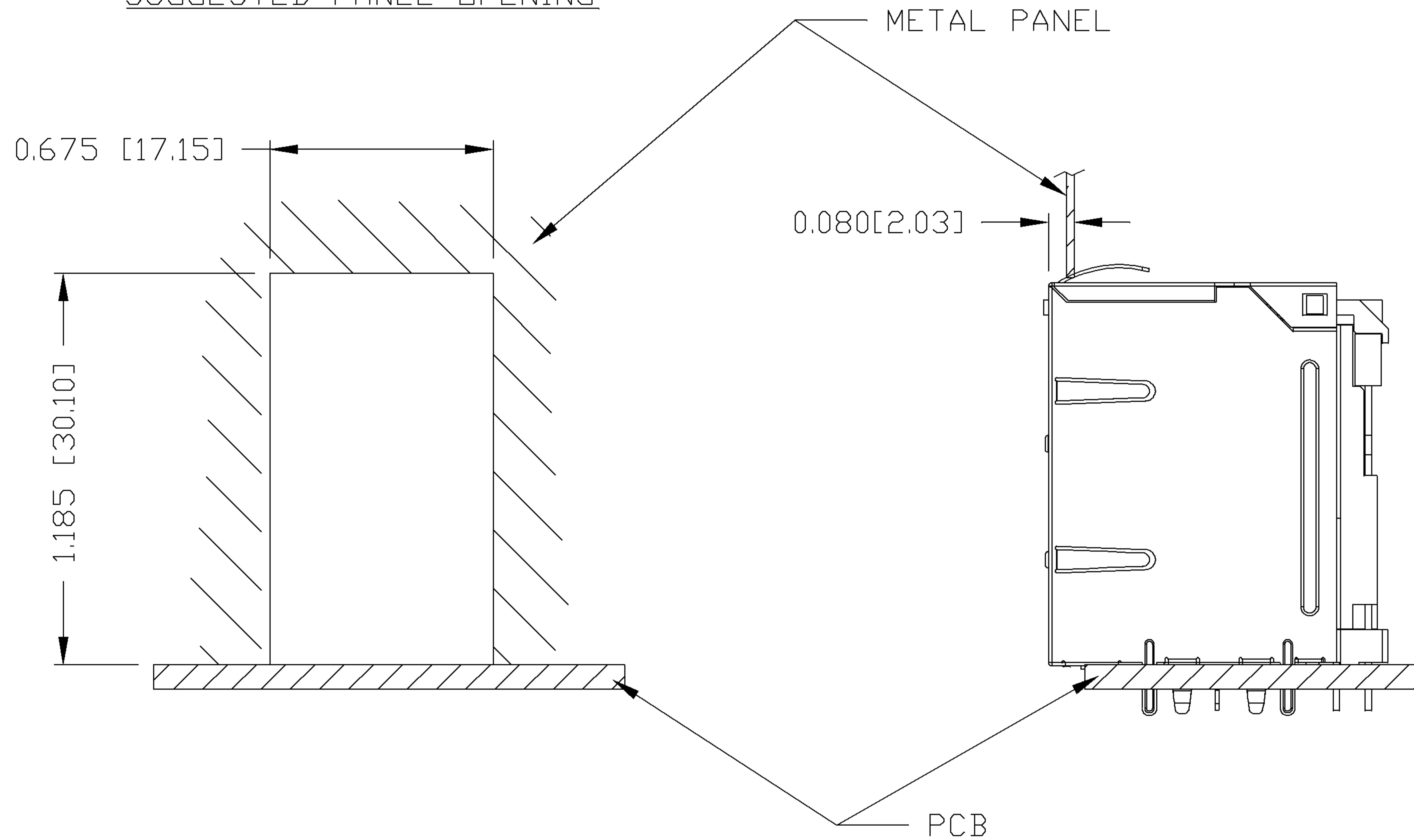
ORIGINATED BY LIU QIN	DATE 12-25-07	TITLE MagJack® Combo	PART NO. / DRAWING NO. 08C2-1D1T-06	STANDARD DIM. TOL. IN INCH	[ ] METRIC DIM. AS REFERENCE	 COMPONENTS FOR A CONNECTED PLANET
DRAWN BY CHEN TING	DATE 12-25-07	(4 Cores, MDIX, CM TERMINATION)	FILE NAME 08C2-1D1T-06_B.DWG	.X	UNIT : INCH [mm]	
				.XX	SCALE : N/A	
				.XXX	±0.004	 
						REV. : B SIZE : A4 PAGE : 5

THE INFORMATION CONTAINED HEREIN IS CONSIDERED "PROPRIETARY" TO BEL FUSE INC. AND SHALL NOT BE COPIED, REPRODUCED OR DISCLOSED WITHOUT THE WRITTEN APPROVAL OF BEL FUSE INC.

RoHS  
2002/95/EC



SUGGESTED PANEL OPENING



NOTE:

THE DISTANCE OF PANEL INSIDE SURFACE RELATIVE TO FRONT SURFACE OF PART IS ONLY A SUGGESTION. IN CASE THIS DISTANCE IS DIFFERENT, THE REQUIRED PANEL OPENING DIMENSIONS CHANGE ACCORDINGLY.

PACKING INFORMATION

PACKING TRAY : 0200-9999-A3

PACKING QUANTITY : 42 PCS FINISHED GOODS PER TRAY

10 TRAYS (420 PCS FINISHED GOODS) PER CARTON BOX

NOTE : CARDBOARDS ARE PLACED BETWEEN LAYERS OF PACKING TRAY INSIDE CARTON BOX  
(INCLUDE THE UPPERMOST AND LOWERMOST TRAY)

ORIGINATED BY LIU QIN	DATE 12-25-07	TITLE MagJack® Combo (4 Cores, MDIX, CM TERMINATION)	PART NO. / DRAWING NO. 08C2-1D1T-06		STANDARD DIM. TOL. IN INCH		[ ] METRIC DIM. AS REFERENCE	
			FILE NAME 08C2-1D1T-06_B.DWG		.X		UNIT : INCH [mm]	REV. : B
DRAWN BY CHEN TING	DATE 12-25-07				.XX		SCALE : N/A	SIZE : A4
					.XXX	±0.004		PAGE : 6

