

THE INFORMATION CONTAINED HEREIN IS CONSIDERED "PROPRIETARY" TO BEL FUSE INC. AND SHALL NOT BE COPIED, REPRODUCED OR DISCLOSED WITHOUT THE WRITTEN APPROVAL OF BEL FUSE INC.

LED 2 & 4 POLARITY			LED 1 & 3 POLARITY		
PIN 15	PIN 16	COLOR	PIN 17	PIN 18	COLOR
-	+	ORANGE	-	+	ORANGE
+	-	GREEN	+	-	GREEN

PRELIMINARY



ELECTRICAL CHARACTERISTICS @ 25°C

URNS RATIO

TP1	1CT : 1CT ±2%
TP2	1CT : 1CT ±2%
TP3	1CT : 1CT ±2%
TP4	1CT : 1CT ±2%

OCL @ 100kHz/100mVRMS

(-40°C - 85°C) 180µH MIN.
19mA DC BIAS (-40°C - 85°C) 120µH MIN.

RET. LOSS (MIN)

1MHz-40MHz	-18 dB MIN
40MHz-250MHz	-18+10LOG10(f/40MHz) dB MIN

CM TO CM REJ

100kHz - 100MHz -30 dB MIN

CM TO DM REJ

100kHz - 100MHz -35 dB MIN

HIPOT (Isolation Voltage):

2250 VDC
100% OF PRODUCTION TESTED TO COMPLY WITH
IEEE 802.3 ISOLATION REQUIREMENTS.

NOTE: PORT-TO-PORT ISOLATION NOT INCLUDED .

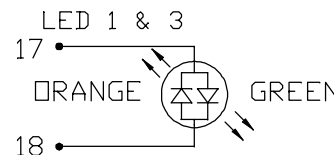
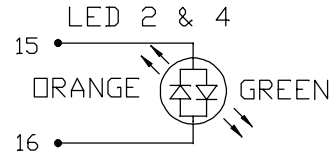
BALANCED DC LINE CURRENT

600mA MAX. CONTINUOUS
1.2A MAX. FOR 200 MILLISECONDS

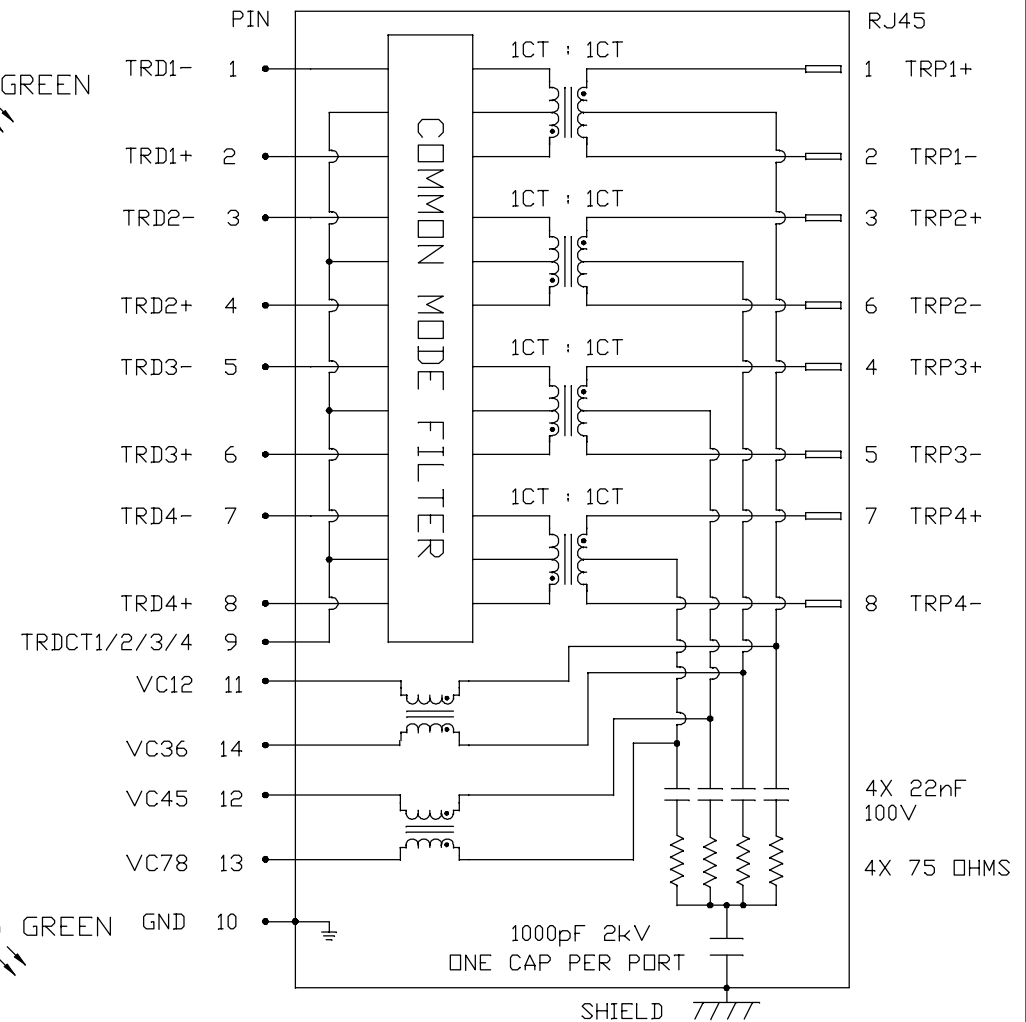
LEDS 1, 2, 3 AND 4

VF (FORWARD VOLTAGE)	IF=20mA	ORANGE	2.0V TYP.
		GREEN	2.2V TYP.
λD (DOMINANT WAVELENGTH)	IF=20mA	ORANGE	605nm TYP.
		GREEN	570nm TYP.

OPERATING TEMPERATURE: -40°C TO +85°C.



SCHEMATIC



ORIGINATED BY CHOW WANCHUNG
DATE 2019-03-29
DRAWN BY XIE YIMING
DATE 2019-03-29

TITLE 2X4 5 glgabit MagJack® 60W 4PPoE 0895-2B4J-JVA PATENTED
--

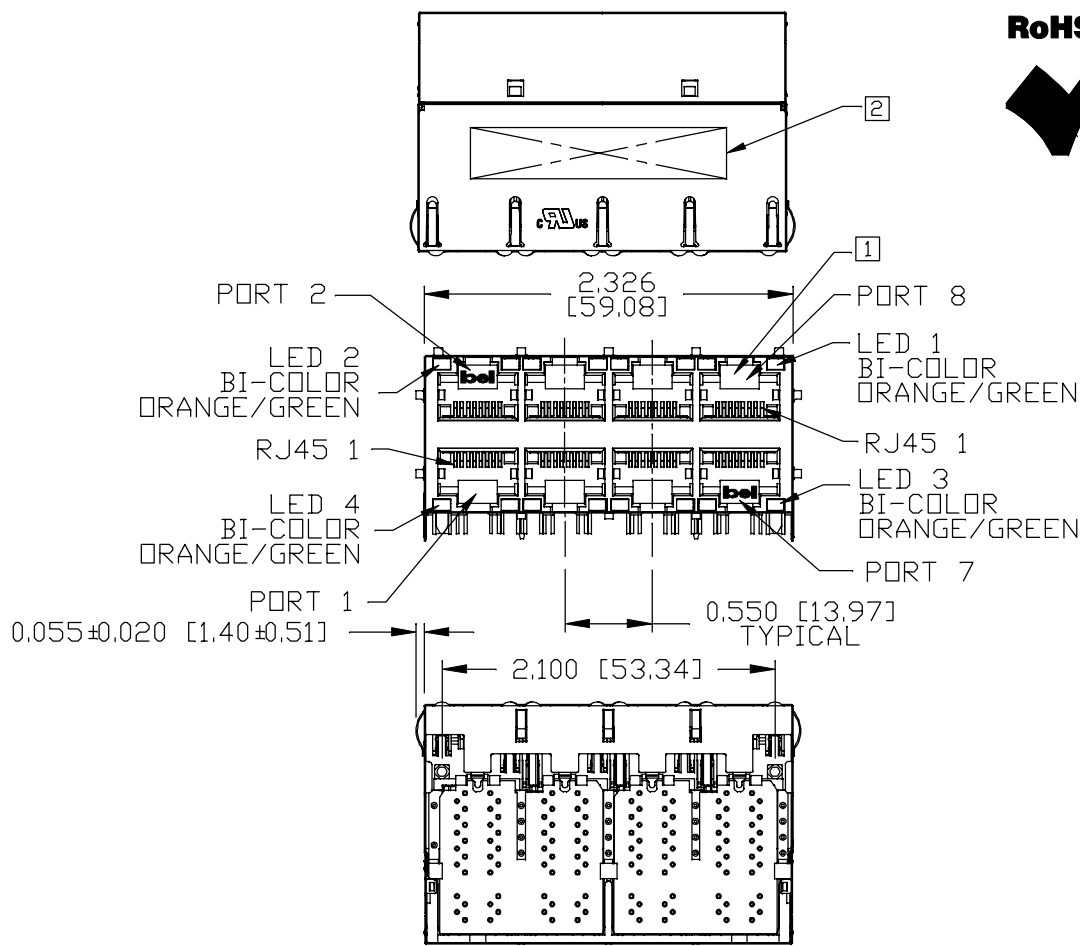
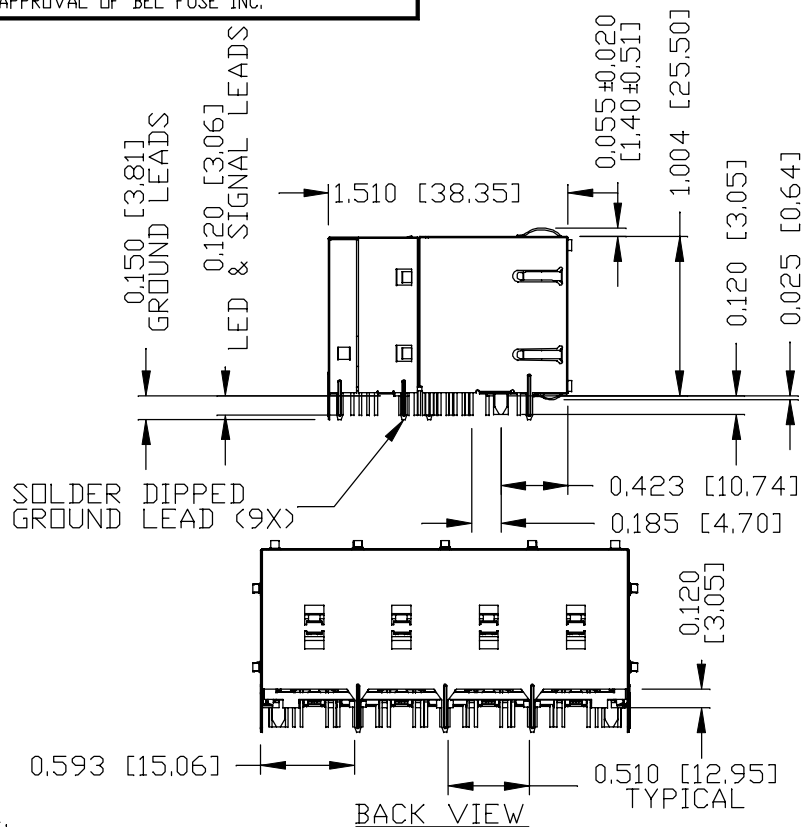
PART NO. / DRAWING NO. 0895-2B4JJVA
FILE NAME 0895-2B4JJVA_PB.DWG

STANDARD DIM. TOL. IN INCH	[] METRIC DIM. AS REF.
.X	UNIT : INCH [mm]
.XX	SCALE : N/A
.XXX	SIZE : A4



THE INFORMATION CONTAINED HEREIN IS CONSIDERED 'PROPRIETARY' TO BEL FUSE INC. AND SHALL NOT BE COPIED, REPRODUCED OR DISCLOSED WITHOUT THE WRITTEN APPROVAL OF BEL FUSE INC.

PRELIMINARY



- NOTES:
- PLASTIC HOUSING: THERMOPLASTIC PBT, BLACK
FLAMMABILITY RATING UL 94V-0
 - CONTACT PLATING: 50 MICRO-INCH HARD GOLD PLATING OR EQUIVALENT.
 - OUTPUT PINS: TIN-COATED COPPER WIRE, DIA 0,018 INCH,
100 MICRO-INCH MIN MATTE TIN, PINS ARE SOLDER DIPPED.
 - METAL SHIELD: NICKEL PLATED ON COPPER ALLOY,
(ALL GROUND LEADS ARE SOLDER DIPPED)
 - [1] JACK CAVITY CONFORMS TO FCC RULES AND REGULATIONS,
PART 68 SUBPART F.
 - [2] MARK PART WITH MFG LOGO, PART NUMBER, DATE CODE,
MFG NAME AND PATENTED.

- 3. THE PRODUCT IS RoHS COMPLIANT.
- UL RECOGNIZED - FILE #E196366 AND E169987.
- 4. THE PRODUCT IS PATENTED, THE PATENT NUMBER ARE
U.S. PAT. 6,840,817 AND U.S. PAT. 7,123,117.
- 5. THE PART IS RECOMMENDED FOR WAVE SOLDERING. THE
SUGGESTED PEAK WAVE SOLDERING CONDITION IS 260°C
MAX AND 10 SECONDS MAX.

ORIGINATED BY
ANTON LIAO
DATE 2019-03-29
DRAWN BY
SANDY LIN
DATE 2019-03-29

TITLE
2X4 5 gigabit MagJack®
60W 4PPoE
0895-2B4J-JVA
PATENTED

PART NO. / DRAWING NO.
0895-2B4JJVA
FILE NAME
0895-2B4JJVA_PB.DWG

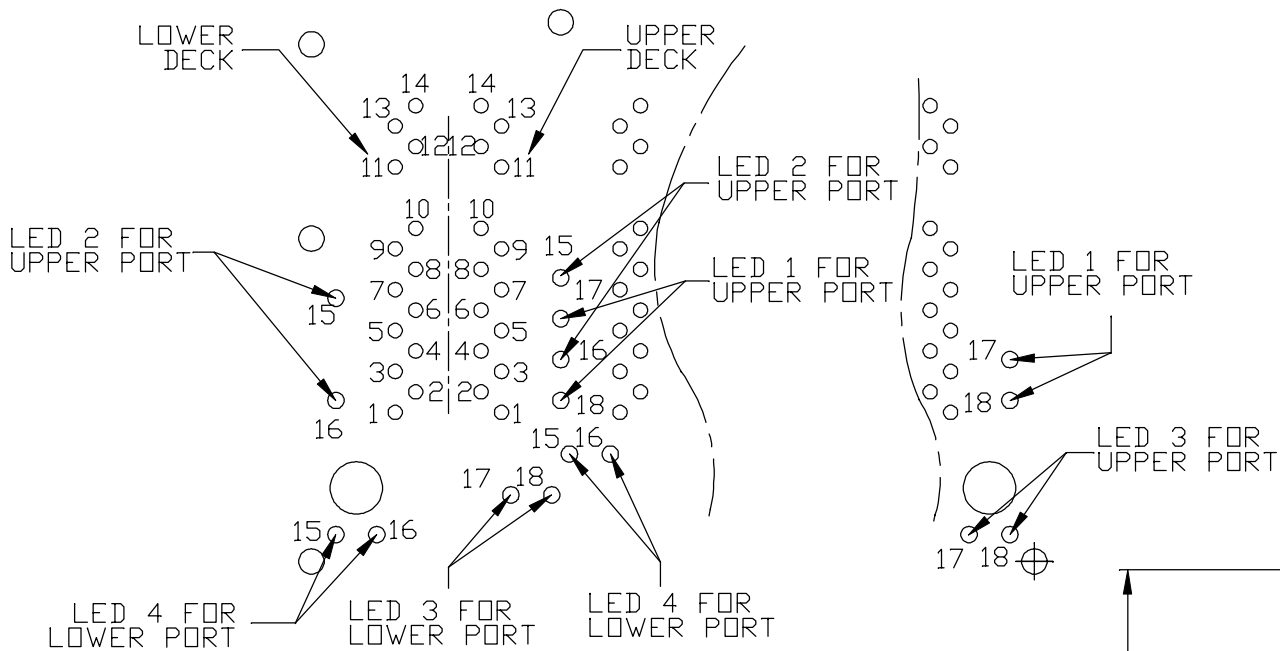
STANDARD DIM. TOL. IN INCH	[] METRIC DIM. AS REF.
.X	UNIT : INCH [mm]
.XX	SCALE : N/A
.XXX	SIZE : A4

REV. : PB PAGE : 3

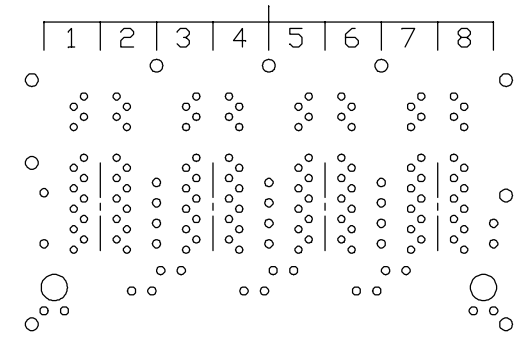


THE INFORMATION CONTAINED HEREIN IS CONSIDERED "PROPRIETARY" TO BEL FUSE INC. AND SHALL NOT BE COPIED, REPRODUCED OR DISCLOSED WITHOUT THE WRITTEN APPROVAL OF BEL FUSE INC.

PRELIMINARY

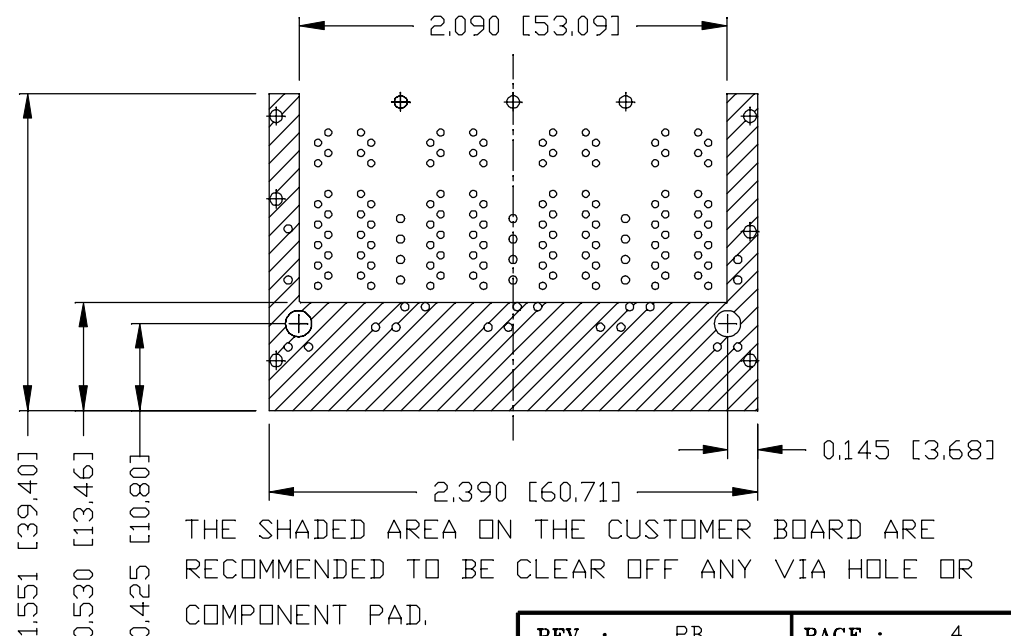


PORT ASSIGNMENT
(COMPONENT SIDE VIEW)



PIN-OUT INFORMATION
(COMPONENT SIDE VIEW)

10	GND		
9	TRDCT1/2/3/4		
8	TRD 4+	18	ORANGE (+)/GREEN (-)
7	TRD 4-	17	ORANGE (-)/GREEN (+)
6	TRD 3+	16	ORANGE (+)/GREEN (-)
5	TRD 3-	15	ORANGE (-)/GREEN (+)
4	TRD 2+	14	VC36
3	TRD 2-	13	VC78
2	TRD 1+	12	VC45
1	TRD 1-	11	VC12



THE SHADED AREA ON THE CUSTOMER BOARD ARE RECOMMENDED TO BE CLEAR OFF ANY VIA HOLE OR COMPONENT PAD.

ORIGINATED BY
ANTON LIAO
DATE 2019-03-29
DRAWN BY
SANDY LIN
DATE 2019-03-29

TITLE
2X4 5 gigabit MagJack®
60W 4PPoE
0895-2B4J-JVA
PATENTED

PART NO. / DRAWING NO.
0895-2B4JJVA
FILE NAME
0895-2B4JJVA_PB.DWG

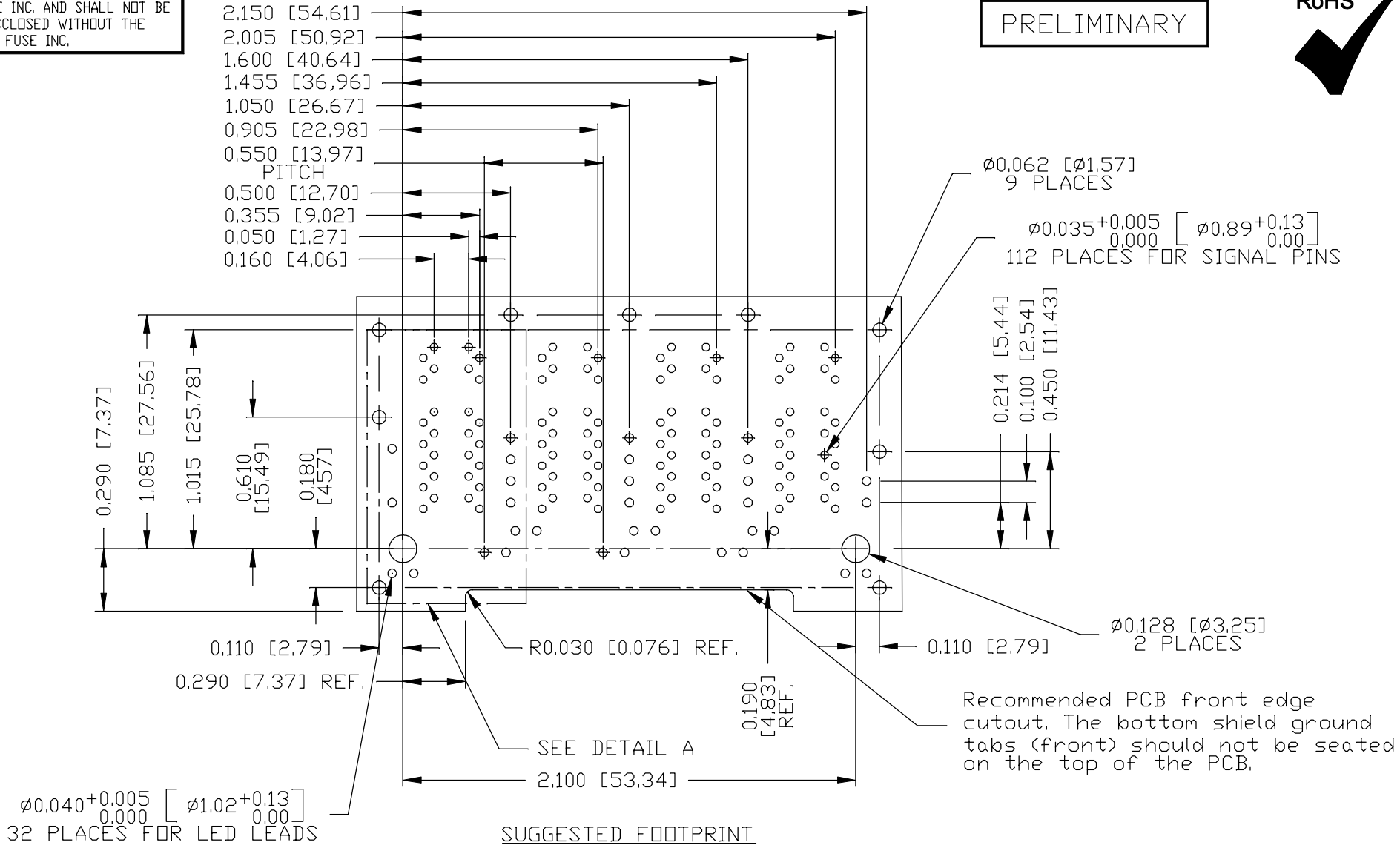
STANDARD DIM. TOL. IN INCH	[] METRIC DIM. AS REF.
.X	UNIT : INCH [mm]
.XX	SCALE : N/A
.XXX	SIZE : A4

REV. : PB PAGE : 4

a bel group

THE INFORMATION CONTAINED HEREIN IS CONSIDERED "PROPRIETARY" TO BEL FUSE INC. AND SHALL NOT BE COPIED, REPRODUCED OR DISCLOSED WITHOUT THE WRITTEN APPROVAL OF BEL FUSE INC.

PRELIMINARY



ORIGINATED BY
ANTON LIAO
DATE 2019-03-29
DRAWN BY
SANDY LIN
DATE 2019-03-29

TITLE
2X4 5 gigabit MagJack®
60W 4PPoE
0895-2B4J-JVA
PATENTED

PART NO. / DRAWING NO.
0895-2B4JJVA
FILE NAME
0895-2B4JJVA_PB.DWG

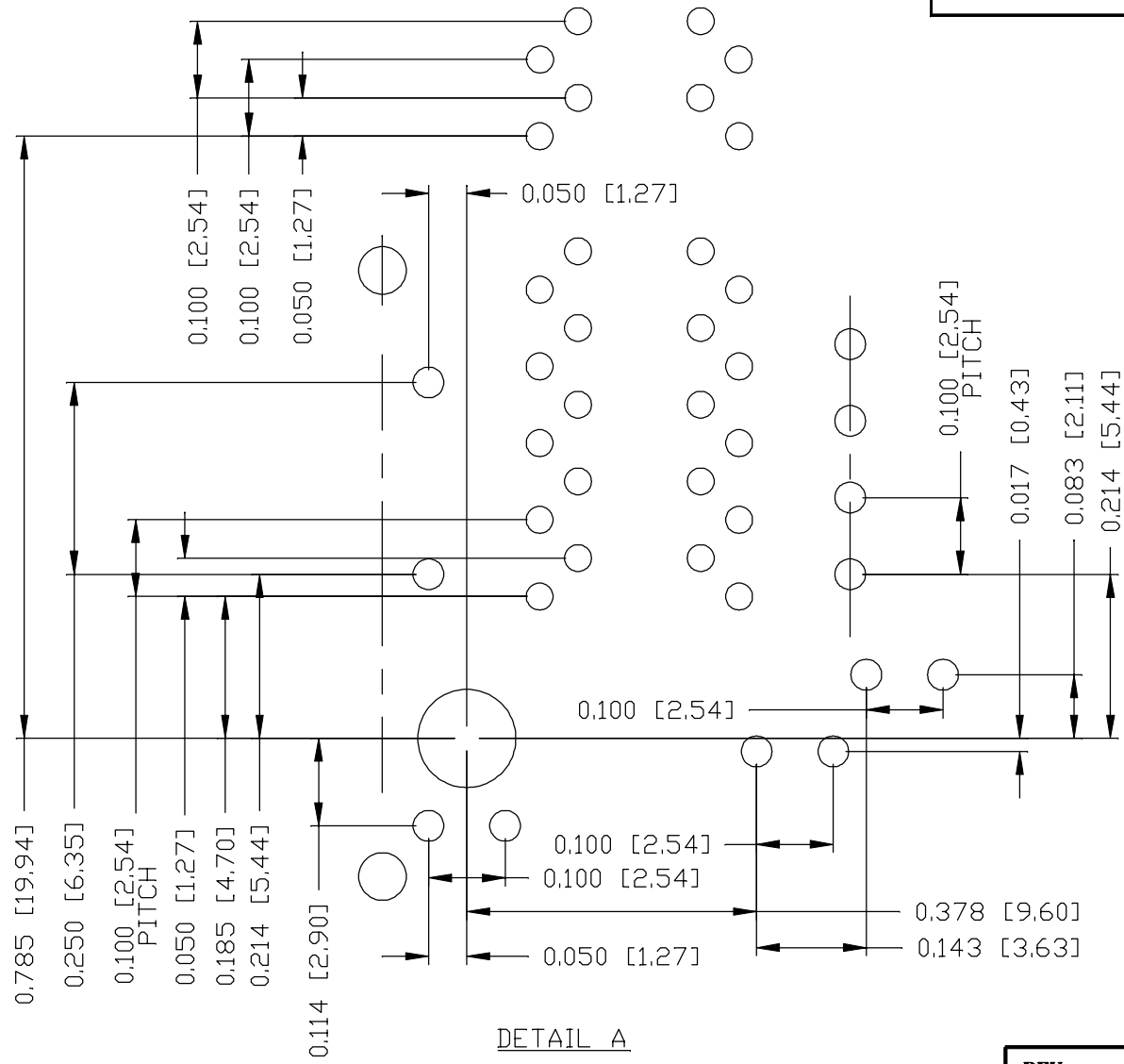
STANDARD DIM. TOL. IN INCH	[] METRIC DIM. AS REF.
.X	UNIT : INCH [mm]
.XX	SCALE : N/A
.XXX ±0.004	SIZE : A4

REV. : PB PAGE : 5



THE INFORMATION CONTAINED HEREIN IS CONSIDERED "PROPRIETARY" TO BEL FUSE INC. AND SHALL NOT BE COPIED, REPRODUCED OR DISCLOSED WITHOUT THE WRITTEN APPROVAL OF BEL FUSE INC.

PRELIMINARY



DETAIL A

ORIGINATED BY
ANTON LIAO
DATE 2019-03-29
DRAWN BY
SANDY LIN
DATE 2019-03-29

TITLE
2X4 5 gigabit MagJack®
60W 4PPoE
0895-2B4J-JVA
PATENTED

PART NO. / DRAWING NO.
0895-2B4JJVA
FILE NAME
0895-2B4JJVA_PB.DWG

STANDARD DIM. TOL. IN INCH	[] METRIC DIM. AS REF.
.X	UNIT : INCH [mm]
.XX	SCALE : N/A
.XXX	SIZE : A4
±0.004	

REV. : PB PAGE : 6

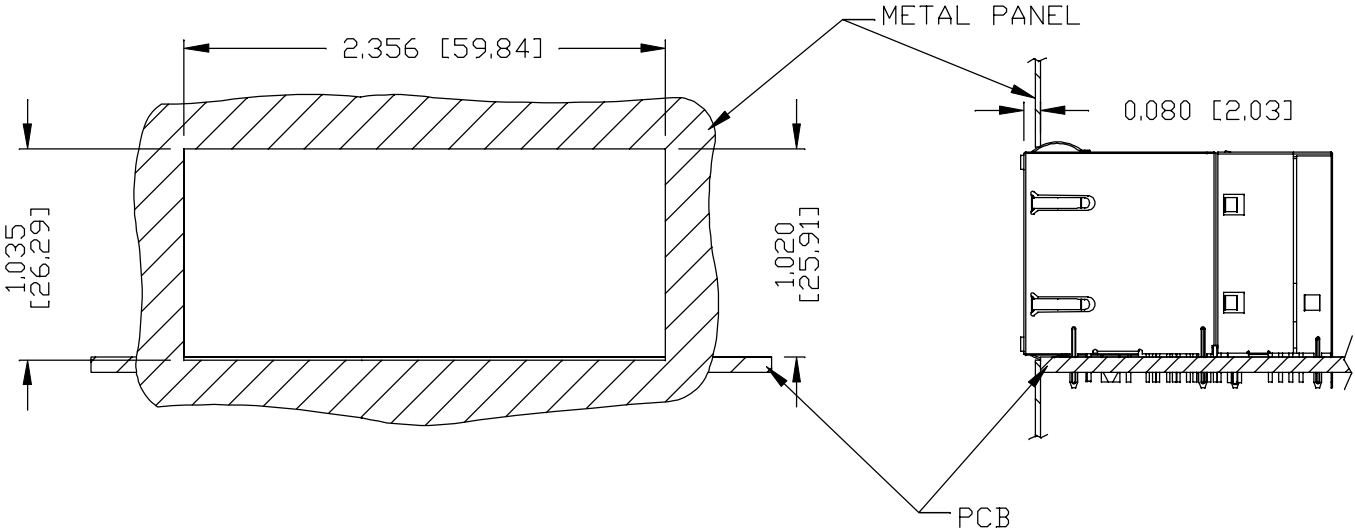


THE INFORMATION CONTAINED HEREIN IS CONSIDERED "PROPRIETARY" TO BEL FUSE INC. AND SHALL NOT BE COPIED, REPRODUCED OR DISCLOSED WITHOUT THE WRITTEN APPROVAL OF BEL FUSE INC.

PRELIMINARY



SUGGESTED PANEL OPENING



NOTE:

THE DISTANCE OF PANEL INSIDE SURFACE RELATIVE TO FRONT SURFACE OF PART IS ONLY A SUGGESTION. IN CASE THIS DISTANCE IS DIFFERENT, THE REQUIRED PANEL OPENING DIMENSIONS CHANGE ACCORDINGLY.

PACKING INFORMATION

PACKING TRAY : 0200-9999-G2 (TOP)
 0200-9999-G3 (BOTTOM)
 PACKING QUANTITY : 20 PCS FINISHED GOODS PER TRAY
 5 TRAYS (100 PCS FINISHED GOODS) PER CARTON BOX

NOTE : CARDBOARDS ARE PLACED BETWEEN LAYERS OF PACKING TRAY INSIDE CARTON BOX (INCLUDE THE UPPERMOST AND LOWERMOST TRAY)

REV. : PB PAGE : 7

ORIGINATED BY
 ANTON LIAO
 DATE 2019-03-29
 DRAWN BY
 SANDY LIN
 DATE 2019-03-29

TITLE
 2X4 5 gigabit MagJack®
 60W 4PPoE
 0895-2B4J-JVA
 PATENTED

PART NO. / DRAWING NO.
 0895-2B4JJVA
 FILE NAME
 0895-2B4JJVA_PB.DWG

STANDARD DIM. TOL. IN INCH	[] METRIC DIM. AS REF.
.X	UNIT : INCH [mm]
.XX	SCALE : N/A
.XXX ±0.005	SIZE : A4

