

THE INFORMATION CONTAINED HEREIN IS CONSIDERED "PROPRIETARY" TO BEL FUSE INC. AND SHALL NOT BE COPIED, REPRODUCED OR DISCLOSED WITHOUT THE WRITTEN APPROVAL OF BEL FUSE INC.

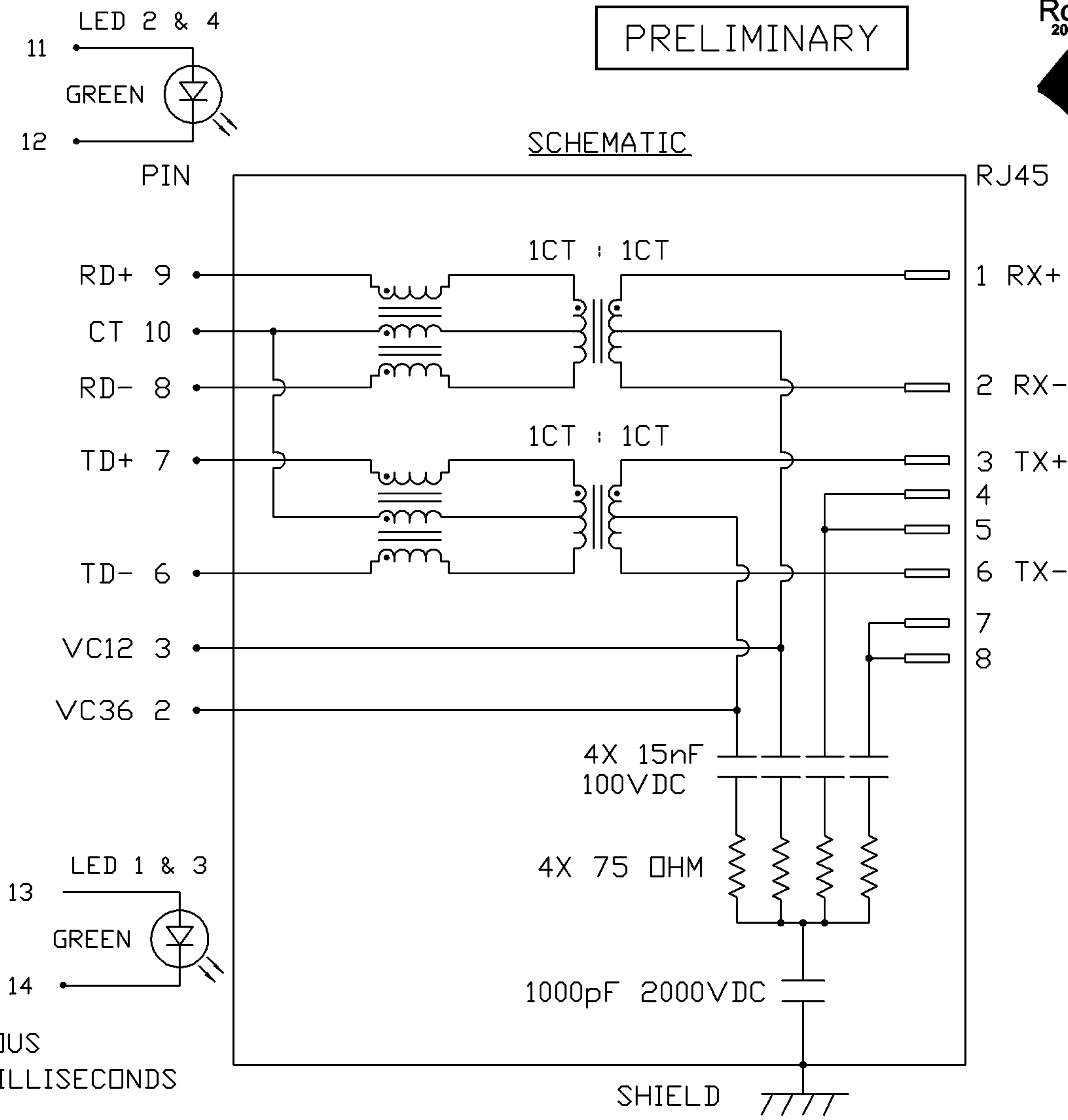
PRELIMINARY



LED 2 & 4 POLARITY			LED 1 & 3 POLARITY		
PIN 11	PIN 12	COLOR	PIN 13	PIN 14	COLOR
+	-	GREEN	+	-	GREEN

ELECTRICAL CHARACTERISTICS @ 25°C

URNS RATIO	1CT : 1CT ±2%
□CL @ 100mV, 100KHz 8mA DC BIAS	350µH MIN.
INSERTION LOSS 100KHz TO 100MHz	-1.5 dB MAX.
RETURN LOSS (MIN.) 2MHz-30MHz	-16 dB MIN.
60MHz-80MHz	-10 dB MIN.
LEAKAGE INDUCTANCE PRIMARY W/ SECONDARY SHORTED	0.25 µH MAX. @ 1MHz
D.C. RESISTANCE (9-8)=(7-6)	1.4 ΩHM.
(RJ1-RJ2)=(RJ3-RJ6)	1.0 ΩHM.
INTERWINDING CAPACITANCE PER CHANNEL (PRI. to SEC.)	40 pF MAX.
XTALK 100KHz TO 100MHz	-30 dB MIN.
HIPOT (Isolation Voltage): 100% OF PRODUCTION TESTED TO COMPLY WITH IEEE 802.3 ISOLATION REQUIREMENTS.	2250 VDC
BALANCED DC LINE CURRENT	720 mA MAX. @ 57 VDC CONTINUOUS 1.2 A MAX. @ 57 VDC for 200 MILLISECONDS
LEDS 1, 2, 3 AND 4	
VF (FORWARD VOLTAGE)	IF=20mA GREEN 2.2V TYP.
λD (DOMINANT WAVELENGTH)	IF=20mA GREEN 565nm TYP.



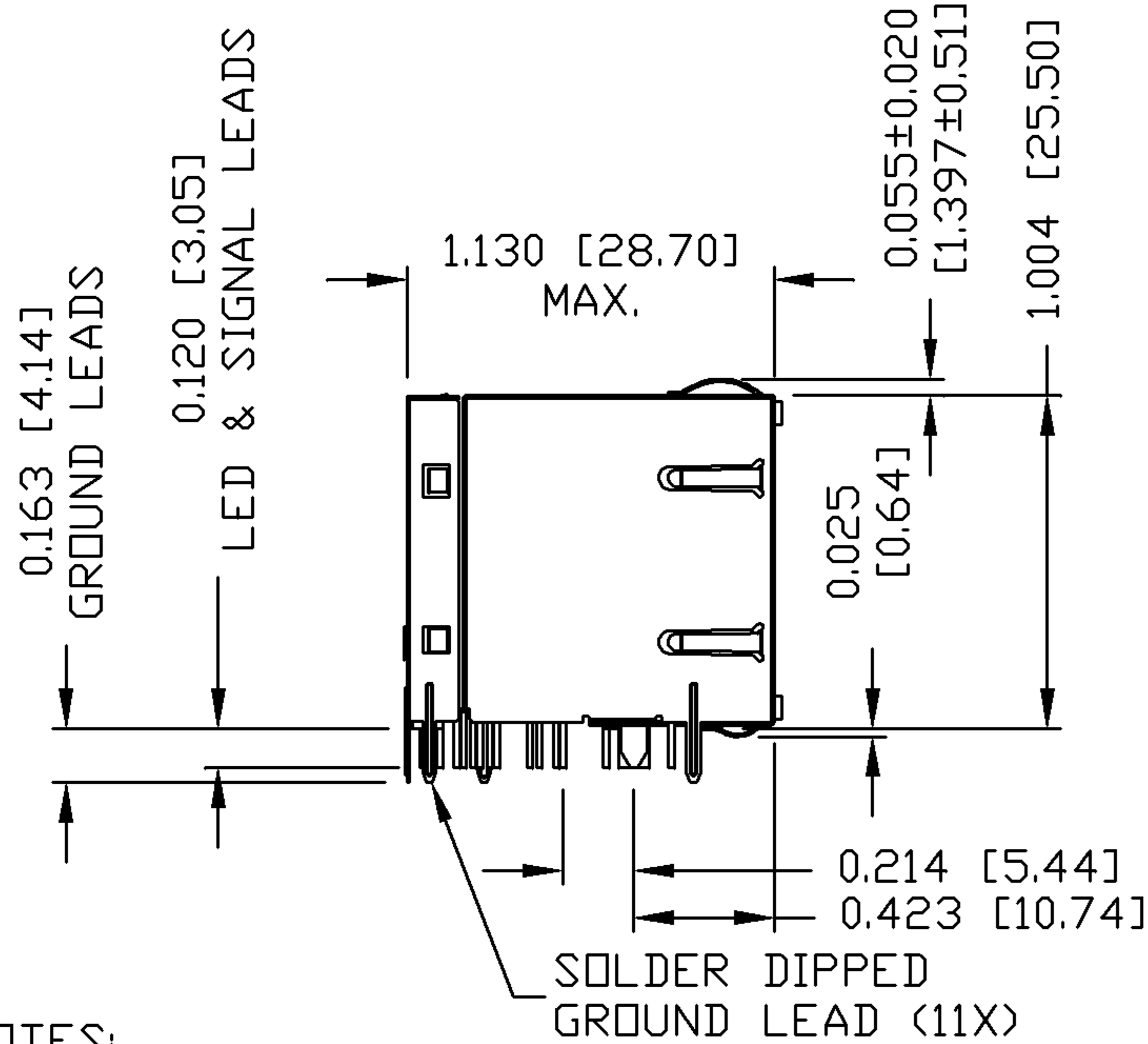
ORIGINATED BY	DATE	TITLE	PART NO. / DRAWING NO.	STANDARD DIM. TOL. IN INCH	[] METRIC DIM. AS REFERENCE
CHOW WANCHUNG	12-01-08	10/100 MagJack® (PoEp)	0879-2G8R-BU	.X	UNIT : INCH [mm] REV. : PC
DRAWN BY	DATE		FILE NAME	.XX	SCALE : N/A SIZE : A4
LEE WEIDE	12-01-08		0879-2G8R-BU_PC.DWG	.XXX	PAGE : 2



THE INFORMATION CONTAINED HEREIN IS CONSIDERED "PROPRIETARY" TO BEL FUSE INC. AND SHALL NOT BE COPIED, REPRODUCED OR DISCLOSED WITHOUT THE WRITTEN APPROVAL OF BEL FUSE INC.

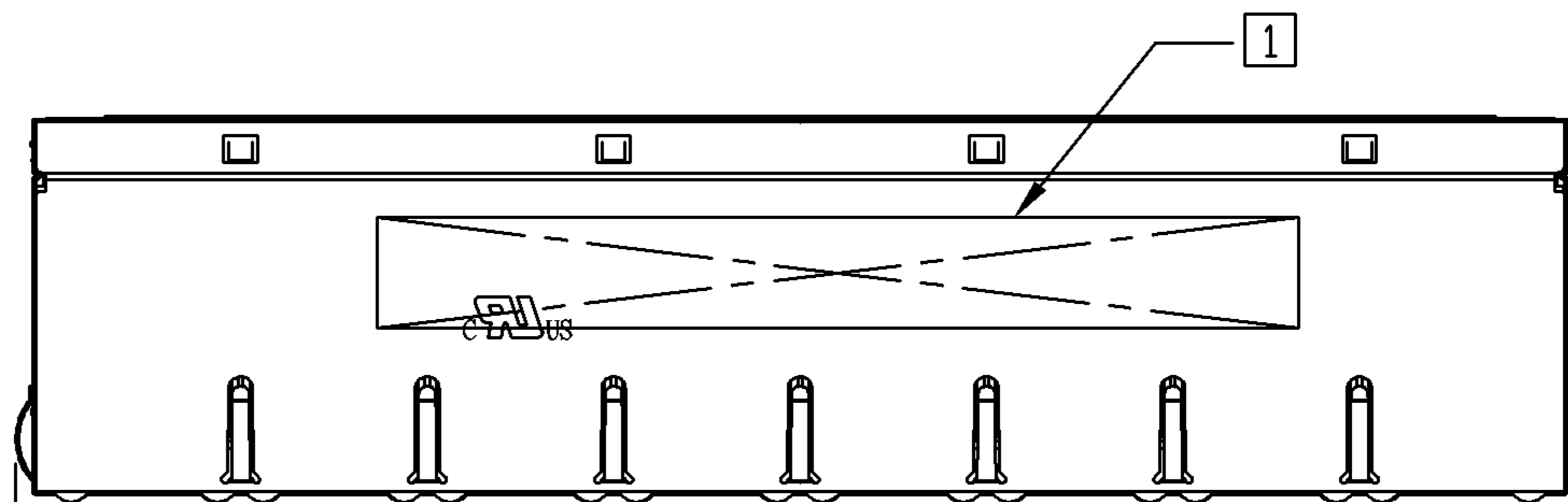
PRELIMINARY

RoHS
2002/95/EC



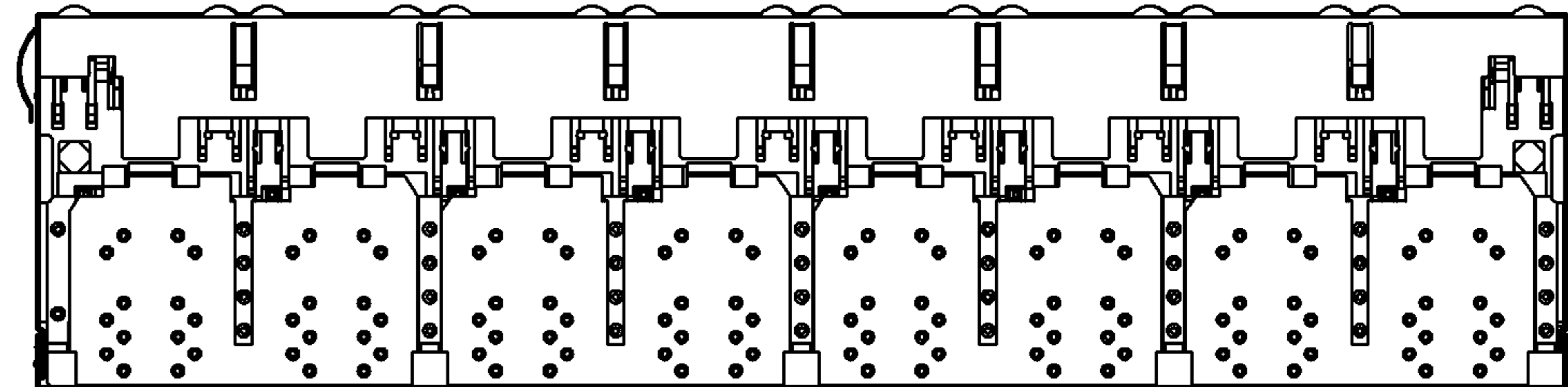
0.055±0.020 [1.397±0.51]

LED 2 GREEN
PORT 2
RJ45 1
LED 4 GREEN
PORT 1



4.526 [114.96]

1
PORT 16
RJ45 1
LED 1 GREEN
LED 3 GREEN
PORT 15



NOTES:

- PLASTIC HOUSING: THERMOPLASTIC PBT
FLAMMABILITY RATING UL 94V-0
- CONTACT PLATING: 50 MICRO-INCH HARD GOLD PLATING
- OUTPUT PINS: TIN-COATED COPPER WIRE, DIA 0.018 INCH.
- METAL SHIELD: NICKEL PLATED ON COPPER ALLOY.
(ALL GROUND LEADS ARE SOLDER DIPPED)

1. JACK CAVITY CONFORMS TO FCC RULES AND REGULATIONS, PART 68 SUBPART F.

2. MARK PART WITH MFG LOGO, MFG NAME, PART NUMBER, AND DATE CODE.

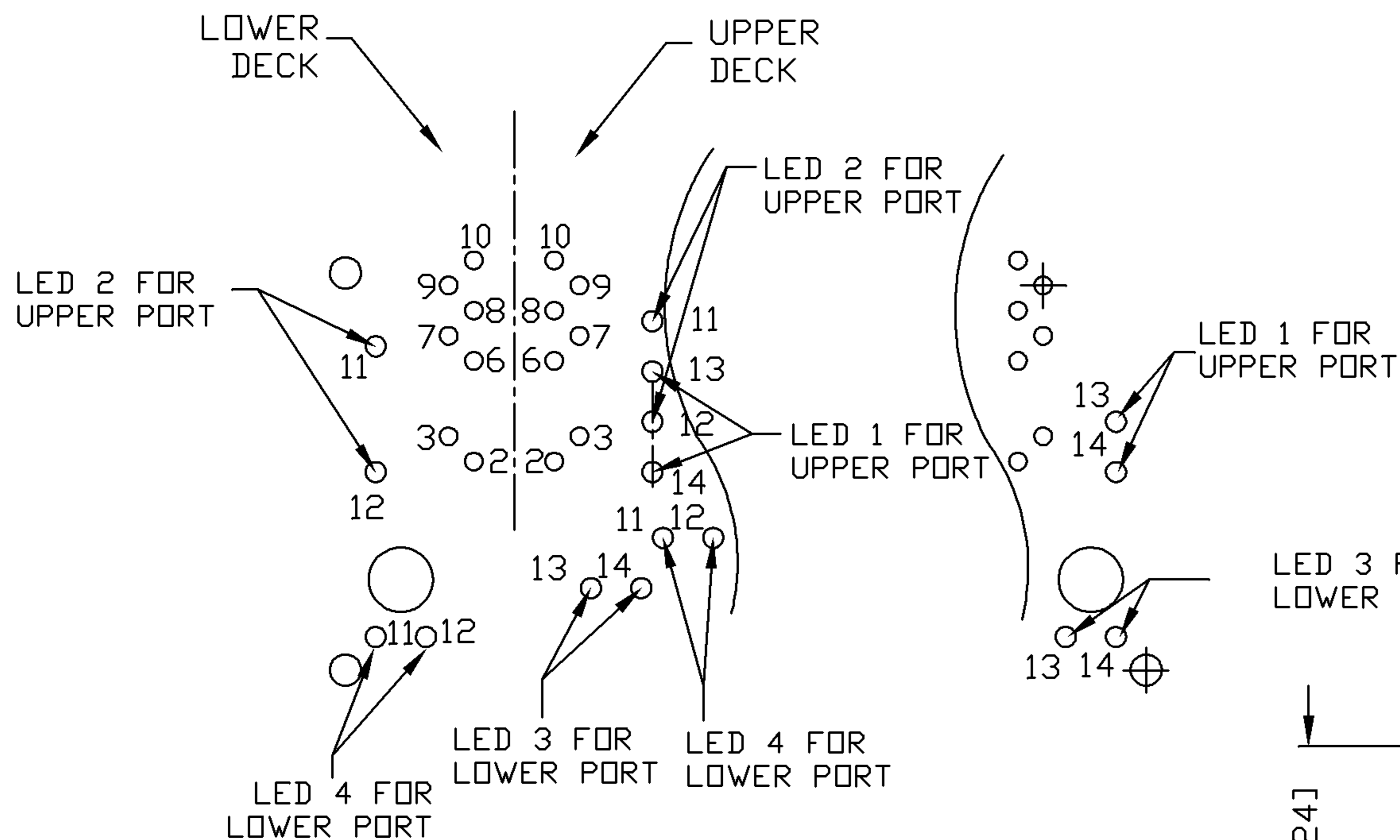
USUL RECOGNIZED - FILE #E196366 AND E169987.

ORIGINATED BY ANTON LIAO	DATE 12-01-08	TITLE 10/100 MagJack® (PoEp)	PART NO. / DRAWING NO. 0879-2G8R-BU	STANDARD DIM. TOL. IN INCH	[] METRIC DIM. AS REFERENCE		 COMPONENTS FOR A CONNECTED PLANET
DRAWN BY SANDY LIN	DATE 12-01-08		FILE NAME 0879-2G8R-BU_PC.DWG	.X	UNIT : INCH [mm]	REV. : PC	
			.XX	SCALE : N/A	SIZE : A4		
			.XXX	±0.010	PAGE : 3		

THE INFORMATION CONTAINED HEREIN IS CONSIDERED "PROPRIETARY" TO BEL FUSE INC. AND SHALL NOT BE COPIED, REPRODUCED OR DISCLOSED WITHOUT THE WRITTEN APPROVAL OF BEL FUSE INC.

PRELIMINARY

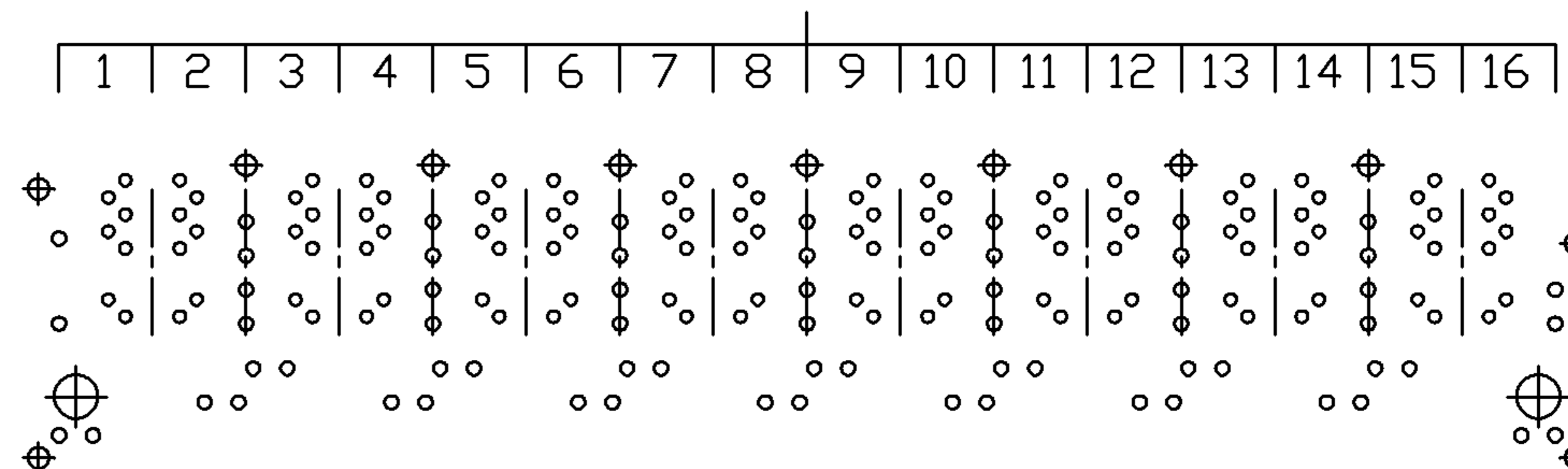
RoHS
2002/95/EC



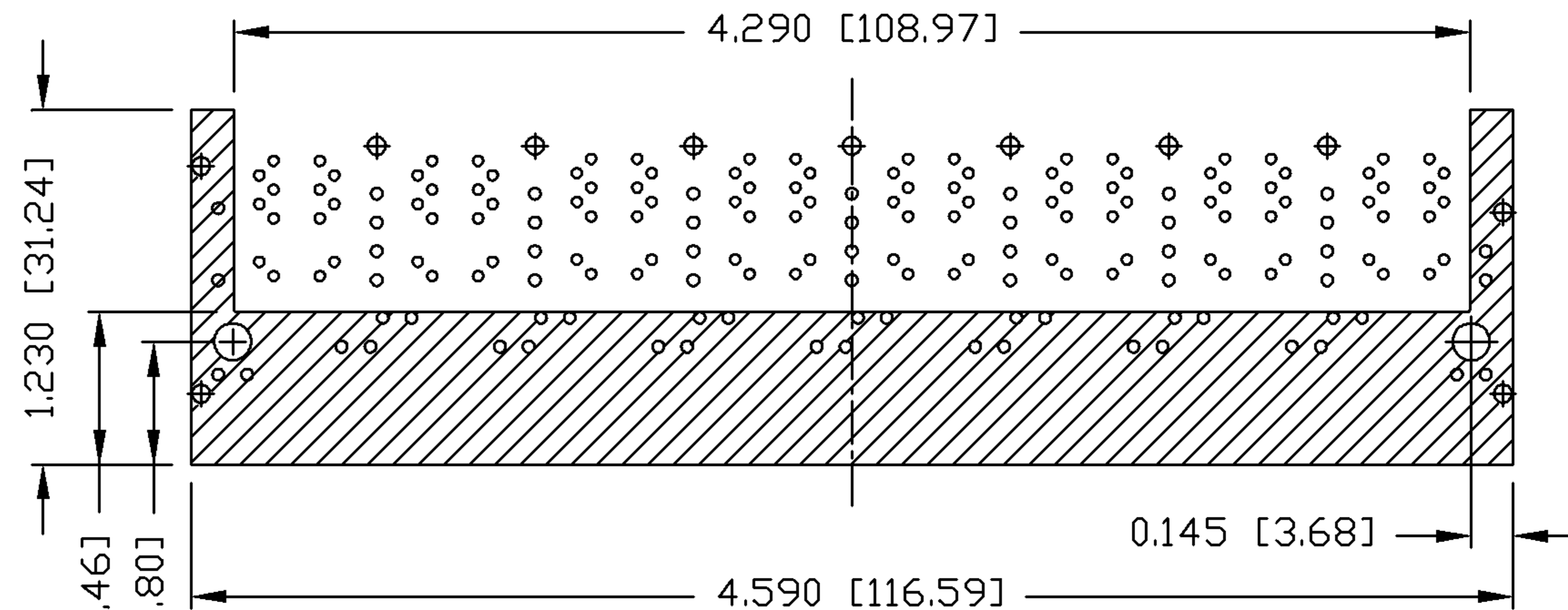
PIN-OUT INFORMATION
(COMPONENT SIDE VIEW)

10	COMMON CT		
9	RD+		
8	RD-		
7	TD+		
6	TD-		
5	NO PIN		
4	NO PIN	14	GREEN (-)
3	Vc12	13	GREEN (+)
2	Vc36	12	GREEN (-)
1	NO PIN	11	GREEN (+)

PORT ASSIGNMENT
(COMPONENT SIDE VIEW)



LED 3 FOR LOWER PORT



NOTES:

THE SHADED AREA ON THE CUSTOMER BOARD ARE RECOMMENDED TO BE CLEAR OFF ANY VIA HOLE OR COMPONENT PAD.

ORIGINATED BY	DATE
ANTON LIAO	12-01-08
DRAWN BY	DATE
SANDY LIN	12-01-08

TITLE	
10/100 MagJack® (PoEp)	

PART NO. / DRAWING NO.	
0879-2G8R-BU	
FILE NAME	
0879-2G8R-BU_PC.DWG	

STANDARD DIM. TOL. IN INCH	
.X	
.XX	
.XXX	±0.004

[] METRIC DIM. AS REFERENCE	
UNIT : INCH [mm]	REV. : PC
SCALE : N/A	SIZE : A4
	PAGE : 4

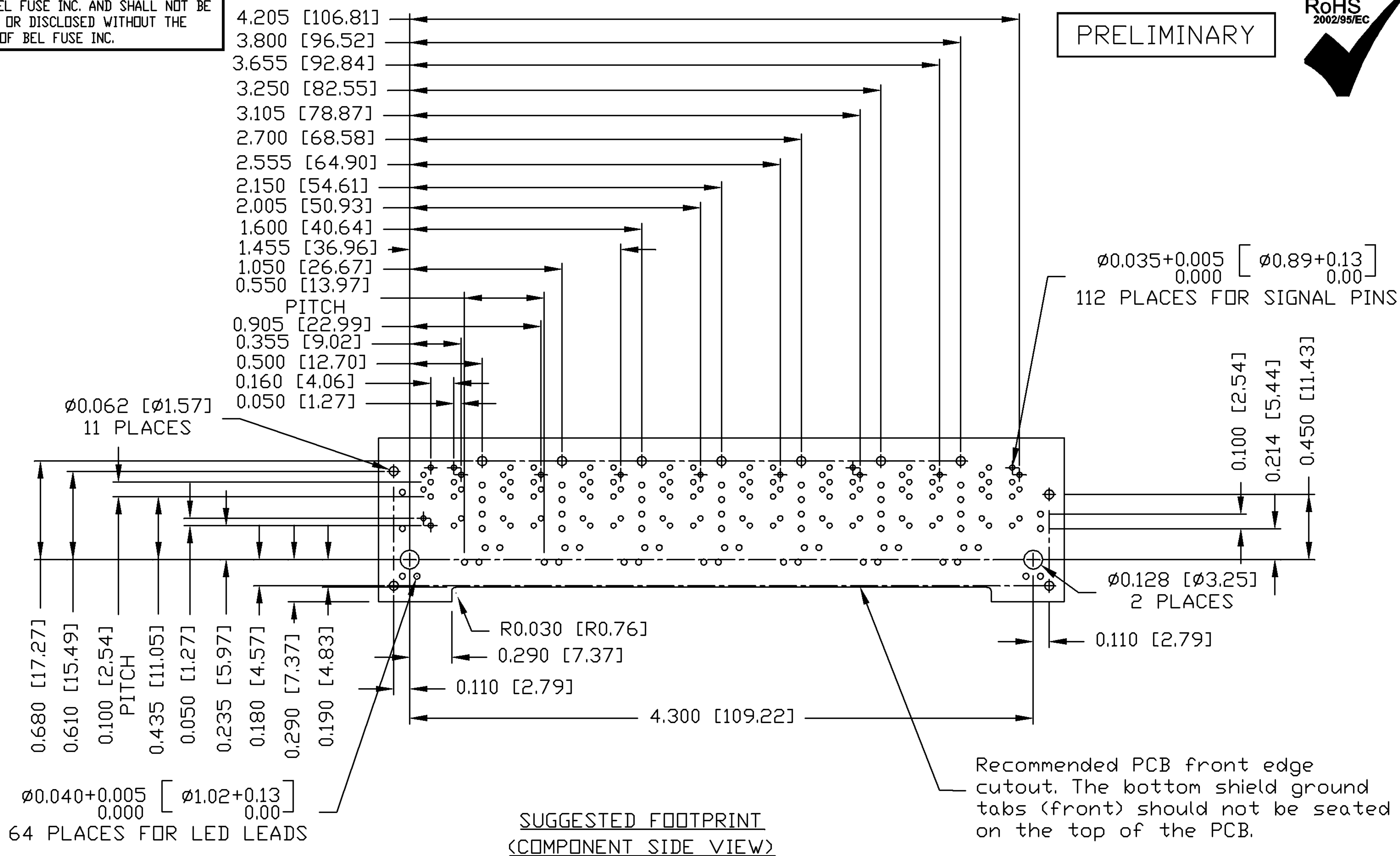


THE INFORMATION CONTAINED HEREIN IS CONSIDERED "PROPRIETARY" TO BEL FUSE INC. AND SHALL NOT BE COPIED, REPRODUCED OR DISCLOSED WITHOUT THE WRITTEN APPROVAL OF BEL FUSE INC.

RoHS
2002/95/EC



PRELIMINARY

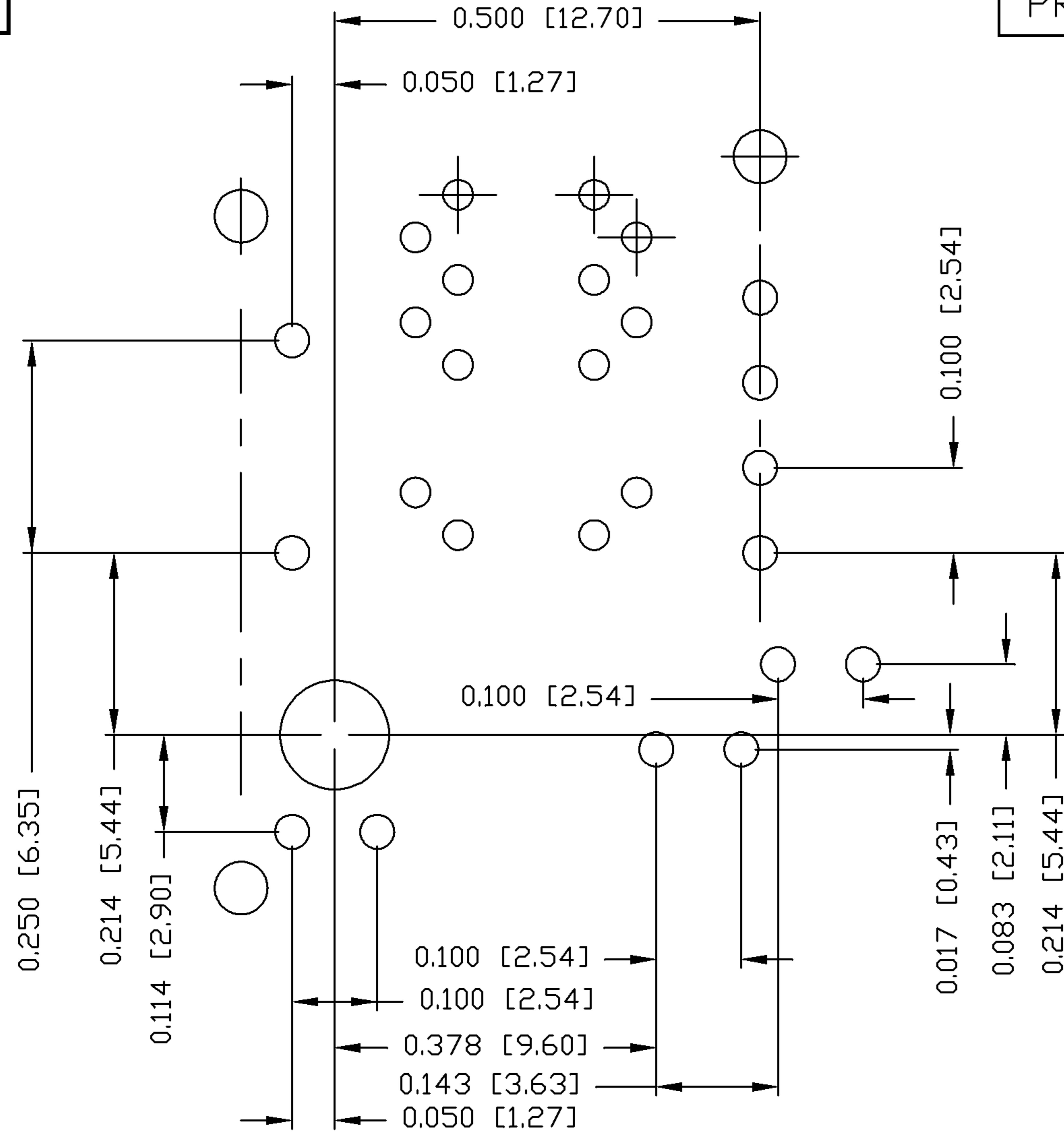


ORIGINATED BY ANTON LIAO	DATE 12-01-08	TITLE 10/100 MagJack® (PoEp)	PART NO. / DRAWING NO. 0879-2G8R-BU	STANDARD DIM. TOL. IN INCH	[] METRIC DIM. AS REFERENCE
DRAWN BY SANDY LIN	DATE 12-01-08		FILE NAME 0879-2G8R-BU_PC.DWG	.X .XX .XXX	UNIT : INCH [mm] SCALE : N/A REV. : PC SIZE : A4 PAGE : 5
				±0.004	



THE INFORMATION CONTAINED HEREIN IS CONSIDERED "PROPRIETARY" TO BEL FUSE INC. AND SHALL NOT BE COPIED, REPRODUCED OR DISCLOSED WITHOUT THE WRITTEN APPROVAL OF BEL FUSE INC.

PRELIMINARY

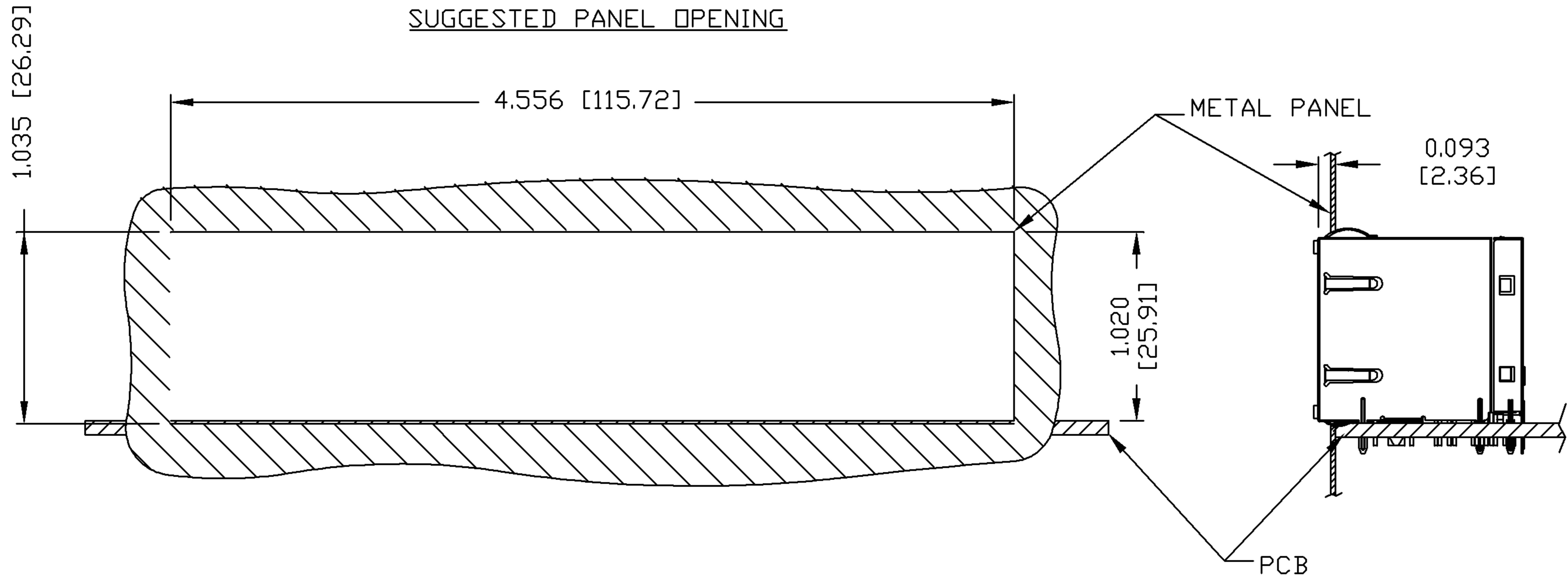


DETAIL A

ORIGINATED BY ANTON LIAO	DATE 12-01-08	TITLE 10/100 MagJack® (PoEp)	PART NO. / DRAWING NO. 0879-2G8R-BU	STANDARD DIM. TOL. IN INCH	[] METRIC DIM. AS REFERENCE	 COMPONENTS FOR A CONNECTED PLANET	
DRAWN BY SANDY LIN	DATE 12-01-08		FILE NAME 0879-2G8R-BU_PC.DWG	.X	UNIT : INCH [mm]		REV. : PC
				.XX	SCALE : N/A		SIZE : A4
				.XXX ±0.004		PAGE : 6	

THE INFORMATION CONTAINED HEREIN IS CONSIDERED "PROPRIETARY" TO BEL FUSE INC. AND SHALL NOT BE COPIED, REPRODUCED OR DISCLOSED WITHOUT THE WRITTEN APPROVAL OF BEL FUSE INC.

PRELIMINARY



NOTE:

THE DISTANCE OF PANEL INSIDE SURFACE RELATIVE TO FRONT SURFACE OF PART IS ONLY A SUGGESTION. IN CASE THIS DISTANCE IS DIFFERENT, THE REQUIRED PANEL OPENING DIMENSIONS CHANGE ACCORDINGLY.

PACKING INFORMATION

PACKING TRAY : 0200M9999-E2 (TOP)
0200M9999-E3 (BOTTOM)

PACKING QUANTITY : 10 PCS FINISHED GOODS PER TRAY
7 TRAYS (70 PCS FINISHED GOODS) PER CARTON BOX

NOTE : CARDBOARDS ARE PLACED BETWEEN LAYERS OF PACKING TRAY INSIDE CARTON BOX
(INCLUDE THE UPPERMOST AND LOWERMOST TRAY)

ORIGINATED BY ANTON LIAO	DATE 12-01-08	TITLE 10/100 MagJack® (PoEp)	PART NO. / DRAWING NO. 0879-2G8R-BU	STANDARD DIM. TOL. IN INCH	[] METRIC DIM. AS REFERENCE	
DRAWN BY SANDY LIN	DATE 12-01-08		FILE NAME 0879-2G8R-BU_PC.DWG	.X .XX .XXX	±0.004	UNIT : INCH [mm] SCALE : N/A

