

THE INFORMATION CONTAINED HEREIN IS CONSIDERED "PROPRIETARY" TO BEL FUSE INC. AND SHALL NOT BE COPIED, REPRODUCED OR DISCLOSED WITHOUT THE WRITTEN APPROVAL OF BEL FUSE INC.

PRELIMINARY



LED 2 & 4 POLARITY			LED 1 & 3 POLARITY		
PIN 7	PIN 8	COLOR	PIN 9	PIN 10	COLOR
+	-	GREEN	+	-	GREEN

ELECTRICAL CHARACTERISTICS @ 25°C

URNS RATIO

TP1 1CT : 1CT ±2%
 TP2 1CT : 1CT ±2%

□CL @ 100kHz/100mVRMS

8mA DC BIAS (0°C - 70°C) 350µH MIN.

INS. LOSS

0.1MHz TO 1MHz -1.1 dB MAX
 1MHz TO 65MHz -0.5 dB MAX
 65MHz TO 100MHz -1.0 dB MAX

RET. LOSS (MIN) @ 100DHMS ±15%

0.5MHz-40MHz -18 dB
 40MHz-80MHz -12+20LOG(f/80MHz) dB

CM TO CM REJ

100kHz - 100MHz -30 dB MIN

CM TO DM REJ

100kHz - 100MHz -35 dB MIN

CROSS TALK (TX - RX)

100kHz - 100MHz -35 dB MIN

HIPOT (Isolation Voltage):

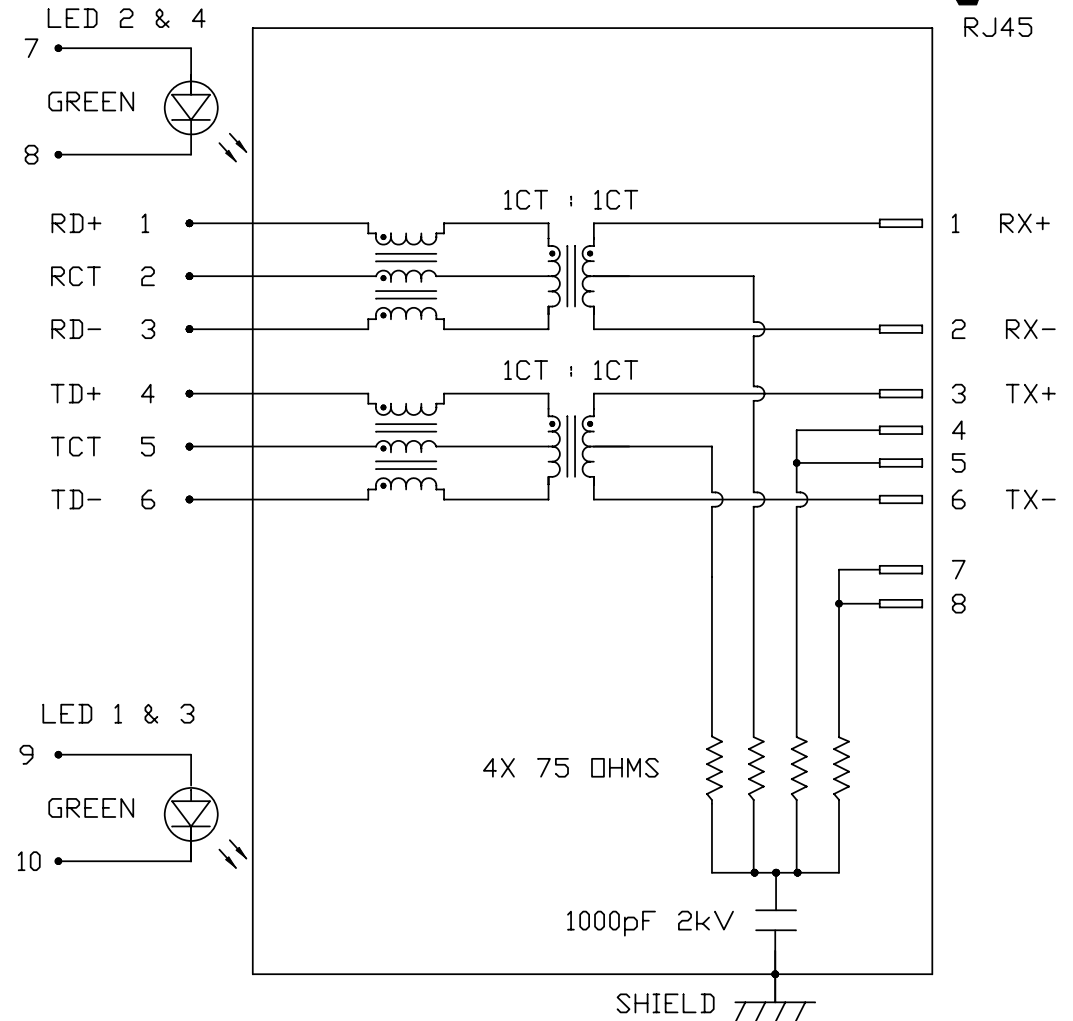
1500 Vrms or 2250 VDC

100% OF PRODUCTION TESTED TO COMPLY WITH IEEE 802.3 ISOLATION REQUIREMENTS

LEDS 1, 2, 3 AND 4

VF (FORWARD VOLTAGE) IF=20mA GREEN 2.2V TYP.
 λD (DOMINANT WAVELENGTH) IF=20mA GREEN 565nm TYP.

SCHEMATIC



ORIGINATED BY	DATE
CHOW WANCHUNG	2012-01-11
DRAWN BY	DATE
TAN QIGUANG	2012-01-11

TITLE
2X2 MagJack® WITH UPPER AND LOWER LED (4 Cores) PATENTED

PART NO. / DRAWING NO.
0879-2G2R-Y9
FILE NAME
0879-2G2R-Y9_PC.DWG

STANDARD DIM. TOL. IN INCH
.X .XX .XXX

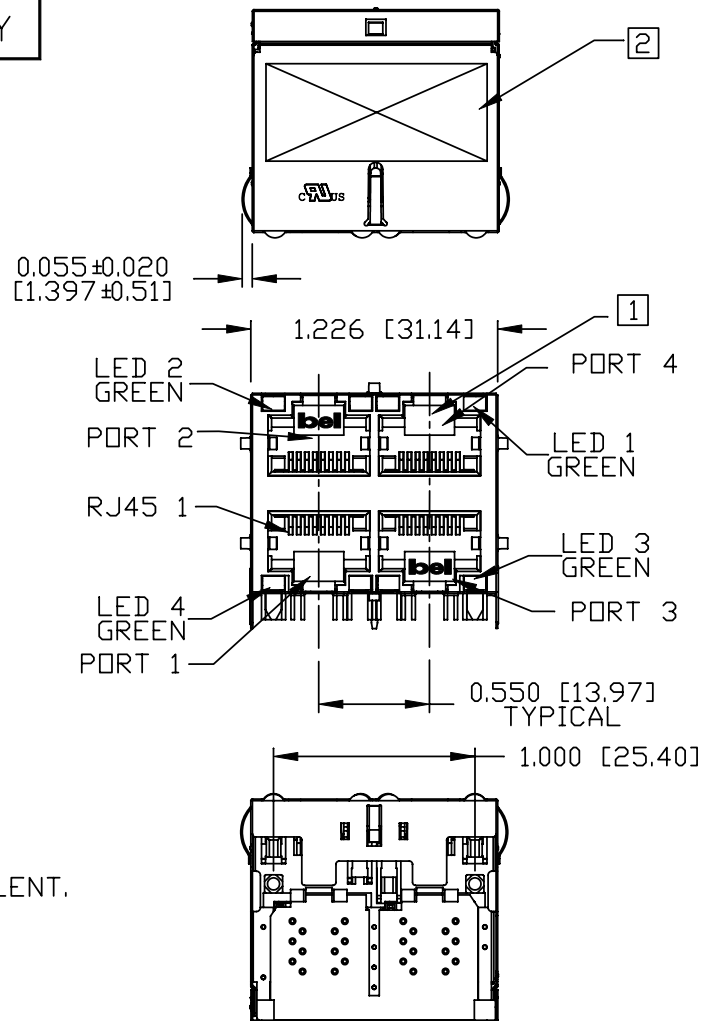
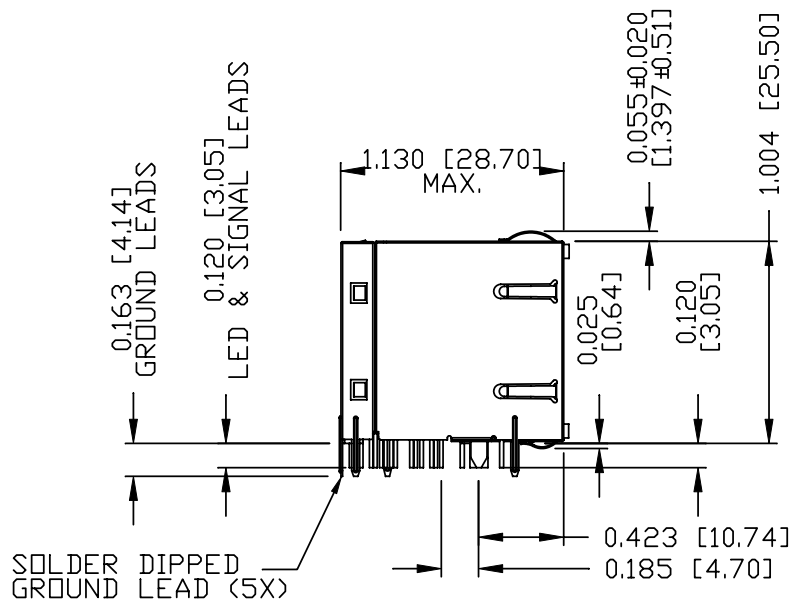
[] METRIC DIM. AS REFERENCE
UNIT : INCH [mm]
SCALE : N/A
REV. : PC
SIZE : A4
PAGE : 2



THE INFORMATION CONTAINED HEREIN IS CONSIDERED "PROPRIETARY" TO BEL FUSE INC. AND SHALL NOT BE COPIED, REPRODUCED OR DISCLOSED WITHOUT THE WRITTEN APPROVAL OF BEL FUSE INC.

PRELIMINARY

RoHS



NOTES:

- PLASTIC HOUSING: THERMOPLASTIC PBT
FLAMMABILITY RATING UL 94V-0
- CONTACT PLATING: 50 MICRO-INCH HARD GOLD PLATING OR EQUIVALENT.
- OUTPUT PINS: TIN-COATED COPPER WIRE, DIA 0.018 INCH.
- METAL SHIELD: NICKEL PLATED ON COPPER ALLOY.
(ALL GROUND LEADS ARE SOLDER DIPPED)

1. JACK CAVITY CONFORMS TO FCC RULES AND REGULATIONS, PART 68 SUBPART F.
2. MARK PART WITH MFG LOGO, MFG NAME, PART NUMBER, DATE CODE AND PATENTED.
3. THE PRODUCT IS RoHS COMPLIANT.

c UL RECOGNIZED - FILE #E196366 AND E169987.
4. THE PRODUCT IS PATENTED, THE PATENT NUMBER ARE
U.S. PAT. 5,736,910 AND U.S. PAT. 6,840,817
AND U.S. PAT. 7,123,117.

ORIGINATED BY	DATE	TITLE 2X2 MagJack® WITH UPPER AND LOWER LED (4 Cores) PATENTED	PART NO. / DRAWING NO.	STANDARD DIM.	[] METRIC DIM. AS REFERENCE	
ANTON LIAO	2012-01-11		0879-2G2R-Y9	TOL. IN INCH	UNIT : INCH [mm]	REV. : PC
DRAWN BY	DATE		FILE NAME	.X	SCALE : N/A	SIZE : A4
HE ZHEN	2012-01-11	0879-2G2R-Y9_PC.DWG	.XX	.XXX	±0.010	PAGE : 3



THE INFORMATION CONTAINED HEREIN IS CONSIDERED "PROPRIETARY" TO BEL FUSE INC. AND SHALL NOT BE COPIED, REPRODUCED OR DISCLOSED WITHOUT THE WRITTEN APPROVAL OF BEL FUSE INC.

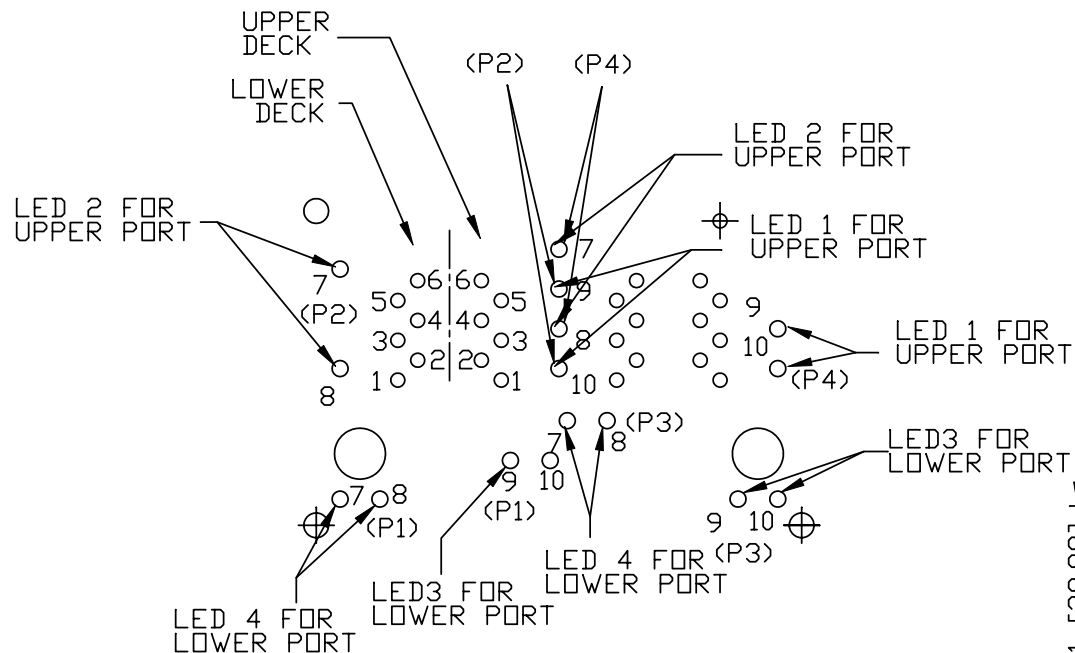
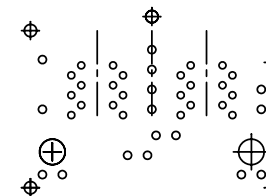
PRELIMINARY

RoHS



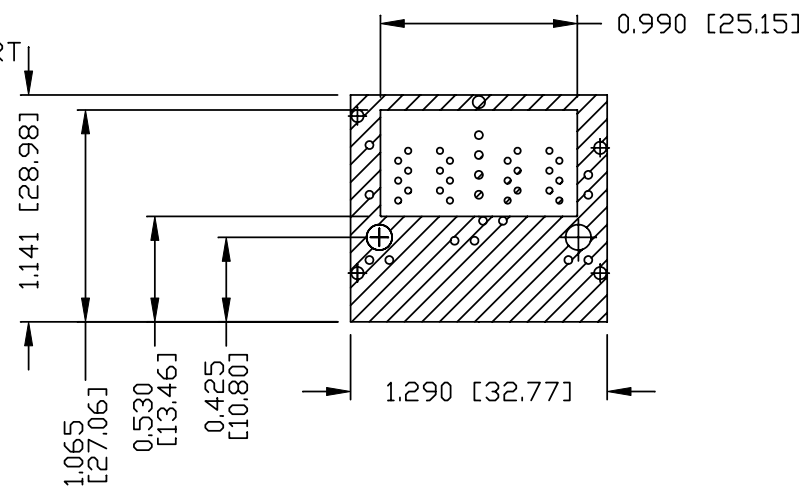
PORT ASSIGNMENT
(COMPONENT SIDE VIEW)

1 | 2 | 3 | 4



PIN-OUT INFORMATION
(COMPONENT SIDE VIEW)

6	TD-		
5	TCT		
4	TD+	10	GRE (-)
3	RD-	9	GRE (+)
2	RCT	8	GRE (-)
1	RD+	7	GRE (+)



THE SHADED AREA ON THE CUSTOMER BOARD ARE RECOMMENDED TO BE CLEAR OFF ANY VIA HOLE OR COMPONENT PAD.

ORIGINATED BY ANTON LIAO	DATE 2012-01-11
DRAWN BY HE ZHEN	DATE 2012-01-11

TITLE
2X2 MagJack®
WITH UPPER AND LOWER LED
(4 Cores)
PATENTED

PART NO. / DRAWING NO. 0879-2G2R-Y9
FILE NAME 0879-2G2R-Y9_PC.DWG

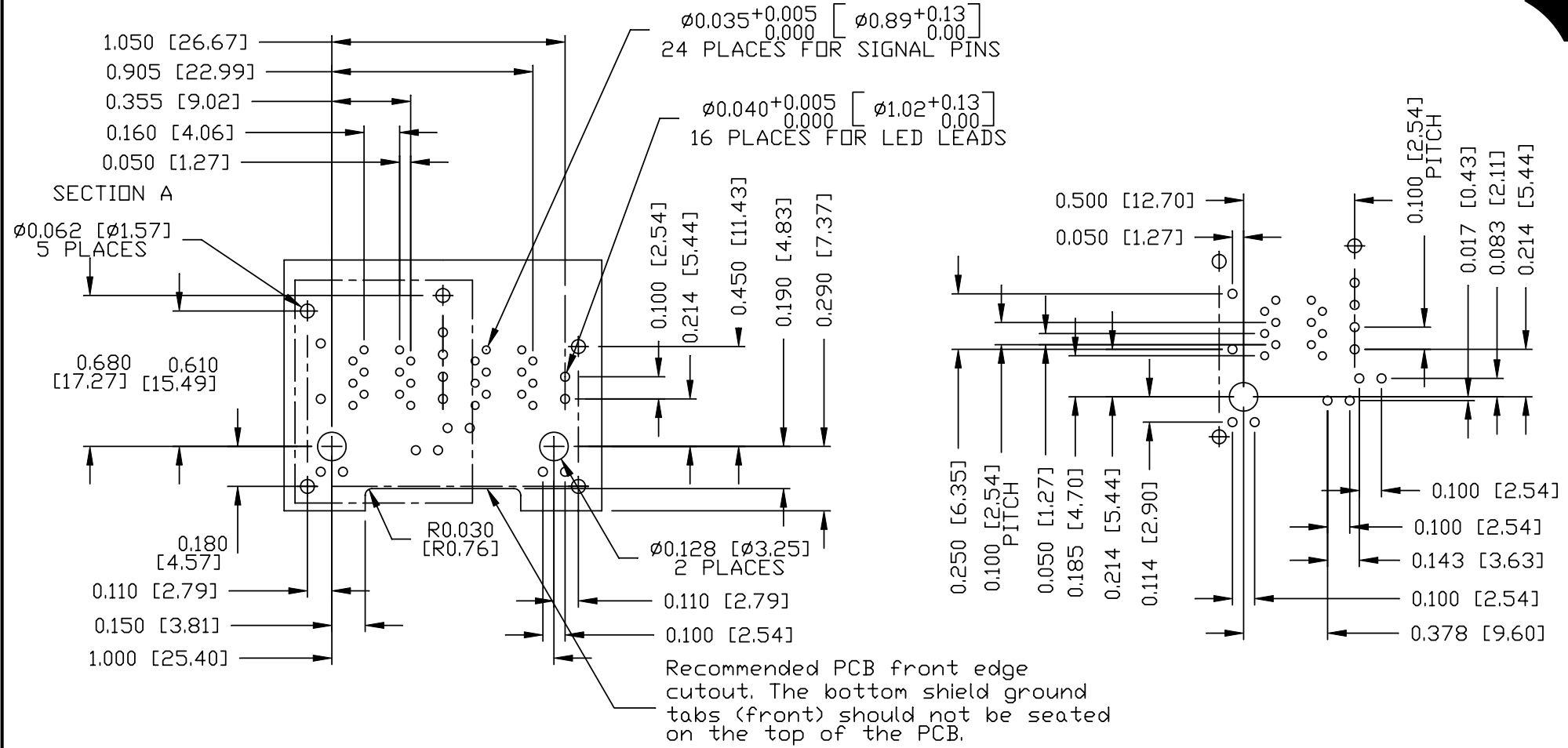
STANDARD DIM. TOL. IN INCH
.X
.XX
.XXX ±0.010

[] METRIC DIM. AS REFERENCE
UNIT : INCH [mm]
SCALE : N/A
REV. : PC
SIZE : A4
PAGE : 4



THE INFORMATION CONTAINED HEREIN IS CONSIDERED "PROPRIETARY" TO BEL FUSE INC. AND SHALL NOT BE COPIED, REPRODUCED OR DISCLOSED WITHOUT THE WRITTEN APPROVAL OF BEL FUSE INC.

PRELIMINARY



SUGGESTED FOOTPRINT
(COMPONENT SIDE VIEW)

ORIGINATED BY ANTON LIAD	DATE 2012-01-11	TITLE 2X2 MagJack® WITH UPPER AND LOWER LED (4 Cores) PATENTED	PART NO. / DRAWING NO. 0879-2G2R-Y9	STANDARD DIM. TOL. IN INCH		[] METRIC DIM. AS REFERENCE		bel
				.X		UNIT : INCH [mm]	REV. : PC	
DRAWN BY HE ZHEN	DATE 2012-01-11		FILE NAME 0879-2G2R-Y9_PC.DWG	.XX	∠0.004	SCALE : N/A	SIZE : A4	COMPONENTS FOR A CONNECTED PLANET
				.XXX		⊕	PAGE : 5	

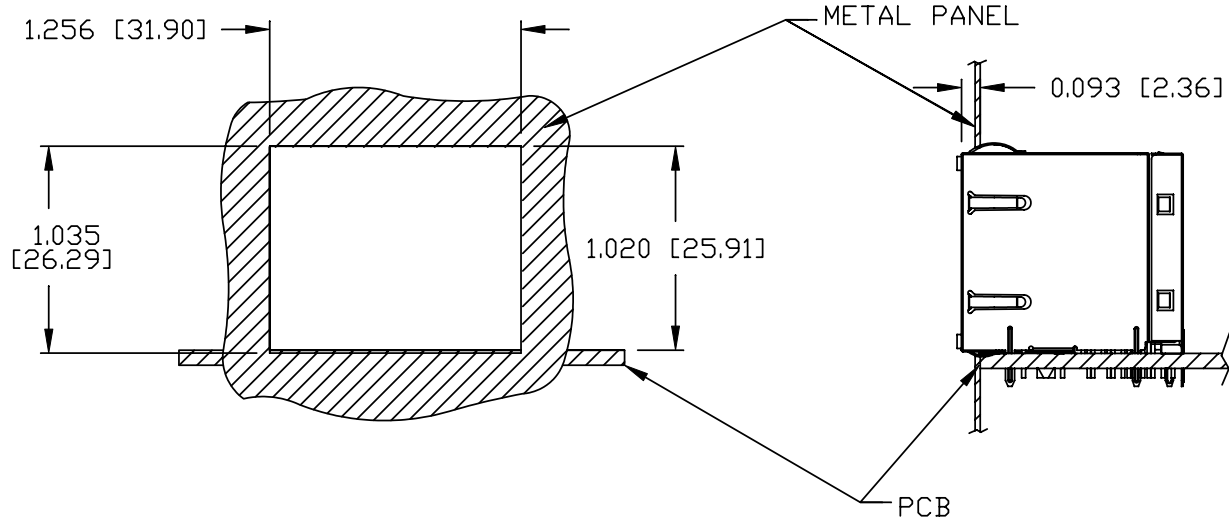
THE INFORMATION CONTAINED HEREIN IS CONSIDERED "PROPRIETARY" TO BEL FUSE INC. AND SHALL NOT BE COPIED, REPRODUCED OR DISCLOSED WITHOUT THE WRITTEN APPROVAL OF BEL FUSE INC.

PRELIMINARY

RoHS



SUGGESTED PANEL OPENING



NOTE:

THE DISTANCE OF PANEL INSIDE SURFACE RELATIVE TO FRONT SURFACE OF PART IS ONLY A SUGGESTION. IN CASE THIS DISTANCE IS DIFFERENT, THE REQUIRED PANEL OPENING DIMENSIONS CHANGE ACCORDINGLY.

PACKING INFORMATION

PACKING TRAY : 0200-9999-P5 (TOP)
0200-9999-P6 (BOTTOM)

PACKING QUANTITY : 28 PCS FINISHED GOODS PER TRAY
7 TRAYS (196 PCS FINISHED GOODS) PER CARTON BOX

NOTE : CARDBOARDS ARE PLACED BETWEEN LAYERS OF PACKING TRAY INSIDE CARTON BOX
(INCLUDE THE UPPERMOST AND LOWERMOST TRAY)

ORIGINATED BY	DATE	TITLE	PART NO. / DRAWING NO.	STANDARD DIM. TOL. IN INCH	[] METRIC DIM. AS REFERENCE	 bel COMPONENTS FOR A CONNECTED PLANET	
ANTON LIAO	2012-01-11	2X2 MagJack® WITH UPPER AND LOWER LED (4 Cores) PATENTED	0879-2G2R-Y9	.X	UNIT : INCH [mm]		REV. : PC
DRAWN BY	DATE		FILE NAME	.XX	SCALE : N/A		SIZE : A4
HE ZHEN	2012-01-11		0879-2G2R-Y9_PC.DWG	.XXX	±0.004		PAGE : 6