

THE INFORMATION CONTAINED HEREIN IS CONSIDERED "PROPRIETARY" TO BEL FUSE INC. AND SHALL NOT BE COPIED, REPRODUCED OR DISCLOSED WITHOUT THE WRITTEN APPROVAL OF BEL FUSE INC.

LED 2 & 4 POLARITY			LED 1 & 3 POLARITY		
PIN 7	PIN 8	COLOR	PIN 9	PIN 10	COLOR
+	-	GREEN	+	-	YELLOW

PRELIMINARY



**ELECTRICAL CHARACTERISTICS @ 25°C**

**TURNS RATIO**

TP1 1CT : 1CT ±2%  
 TP2 1CT : 1CT ±2%

QCL @ 100kHz/100mVRMS 350µH MIN.  
 8mA DC BIAS (0°C - 70°C)

**INS. LOSS**

0.1MHz TO 1MHz -1.1 dB MAX  
 1MHz TO 65MHz -0.5 dB MAX  
 65MHz TO 100MHz -1.0 dB MAX

**RET. LOSS (MIN) @ 100ΩHMS ±15%**

0.5MHz-40MHz -18 dB  
 40MHz-80MHz -12+20LOG(f/80MHz) dB

**CM TO CM REJ**

100kHz - 100MHz -30 dB MIN

**CM TO DM REJ**

100kHz - 100MHz -35 dB MIN

**CROSS TALK (TX - RX)**

100kHz - 100MHz -35 dB MIN

**OPERATING TEMPERATURE:**

-40° TO +85°C

**HIPOT (Isolation Voltage):**

1500 Vrms

100% OF PRODUCTION TESTED TO COMPLY WITH IEEE 802.3 ISOLATION REQUIREMENTS

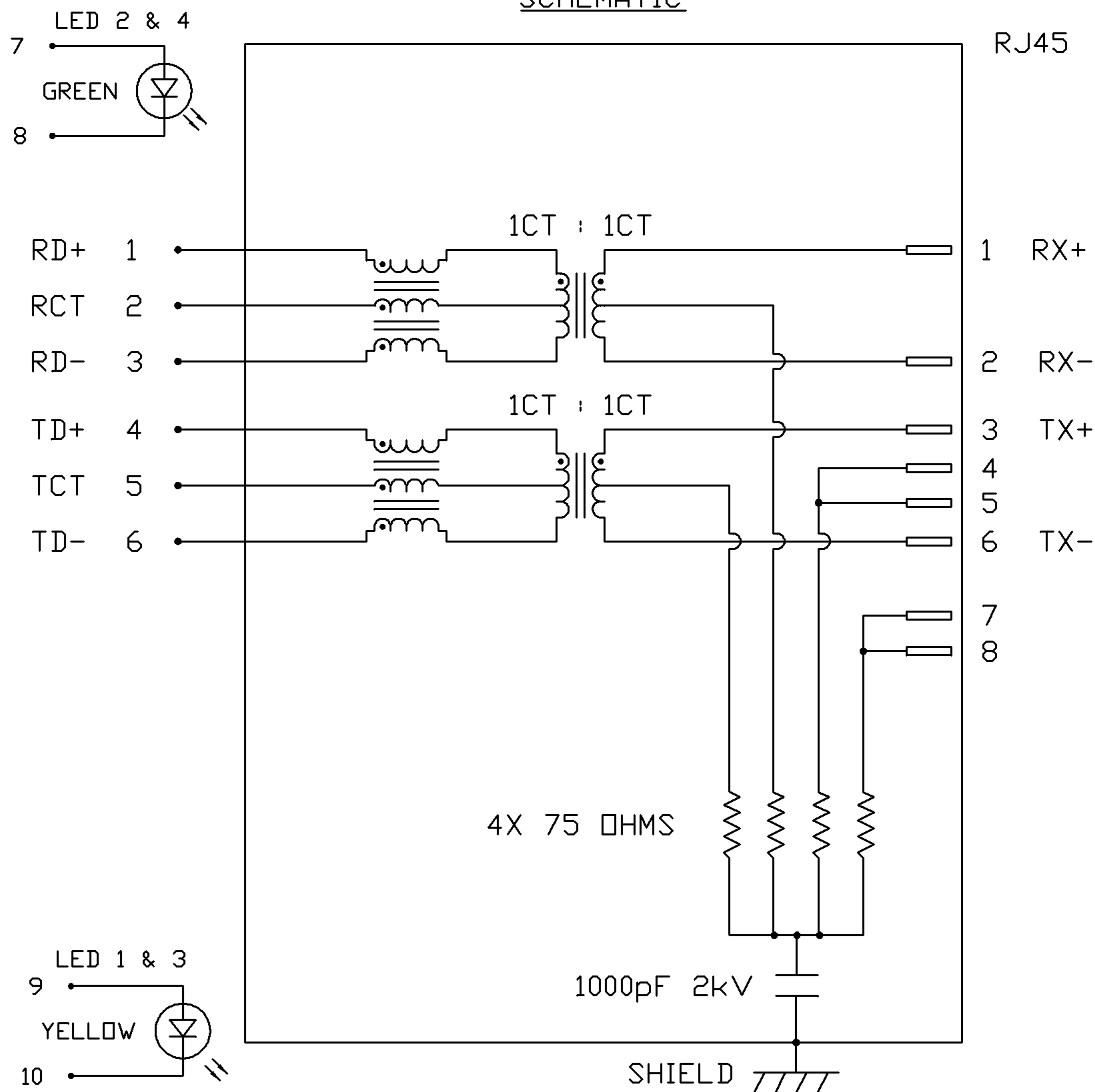
**LED 2 & 4**

VF (FORWARD VOLTAGE) IF=20mA GREEN 2.2V TYP.  
 λD (DOMINANT WAVELENGTH) IF=20mA GREEN 565nm TYP.

**LED 1 & 3**

VF (FORWARD VOLTAGE) IF=20mA YELLOW 2.1V TYP.  
 λD (DOMINANT WAVELENGTH) IF=20mA YELLOW 590nm TYP.

**SCHEMATIC**



<b>ORIGINATED BY</b>	<b>DATE</b>
CHOW WANCHUNG	11-27-08
<b>DRAWN BY</b>	<b>DATE</b>
WEIDE LEE	11-27-08

<b>TITLE</b>
2X4 MagJack® FOR 10/100 WITH UPPER AND LOWER LED (EXT. TEMP.)

<b>PART NO. / DRAWING NO.</b>
0879-2A4R-BV
<b>FILE NAME</b>
0879-2A4R-BV_PC.DWG

<b>STANDARD DIM. TOL. IN INCH</b>
.X
.XX
.XXX

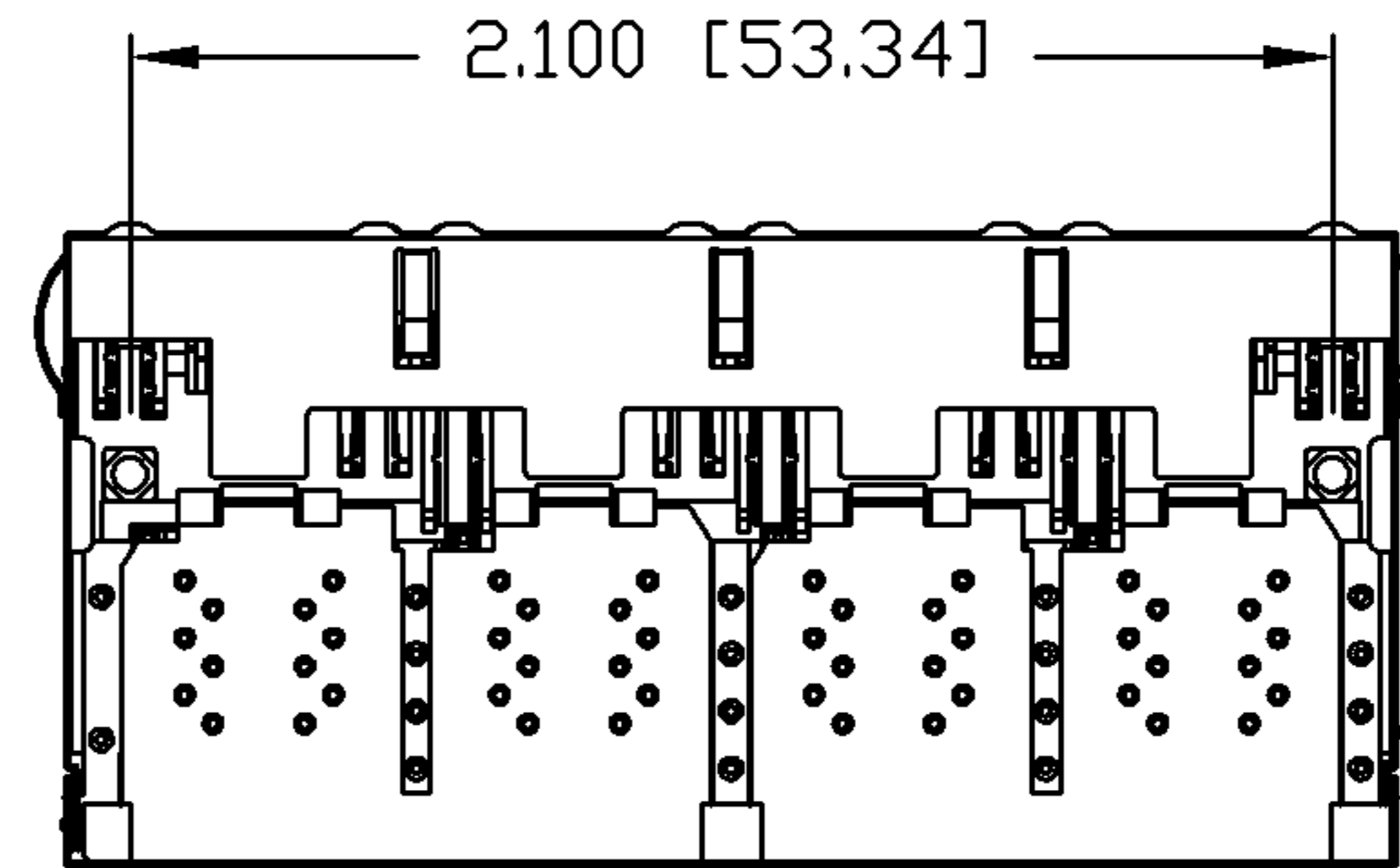
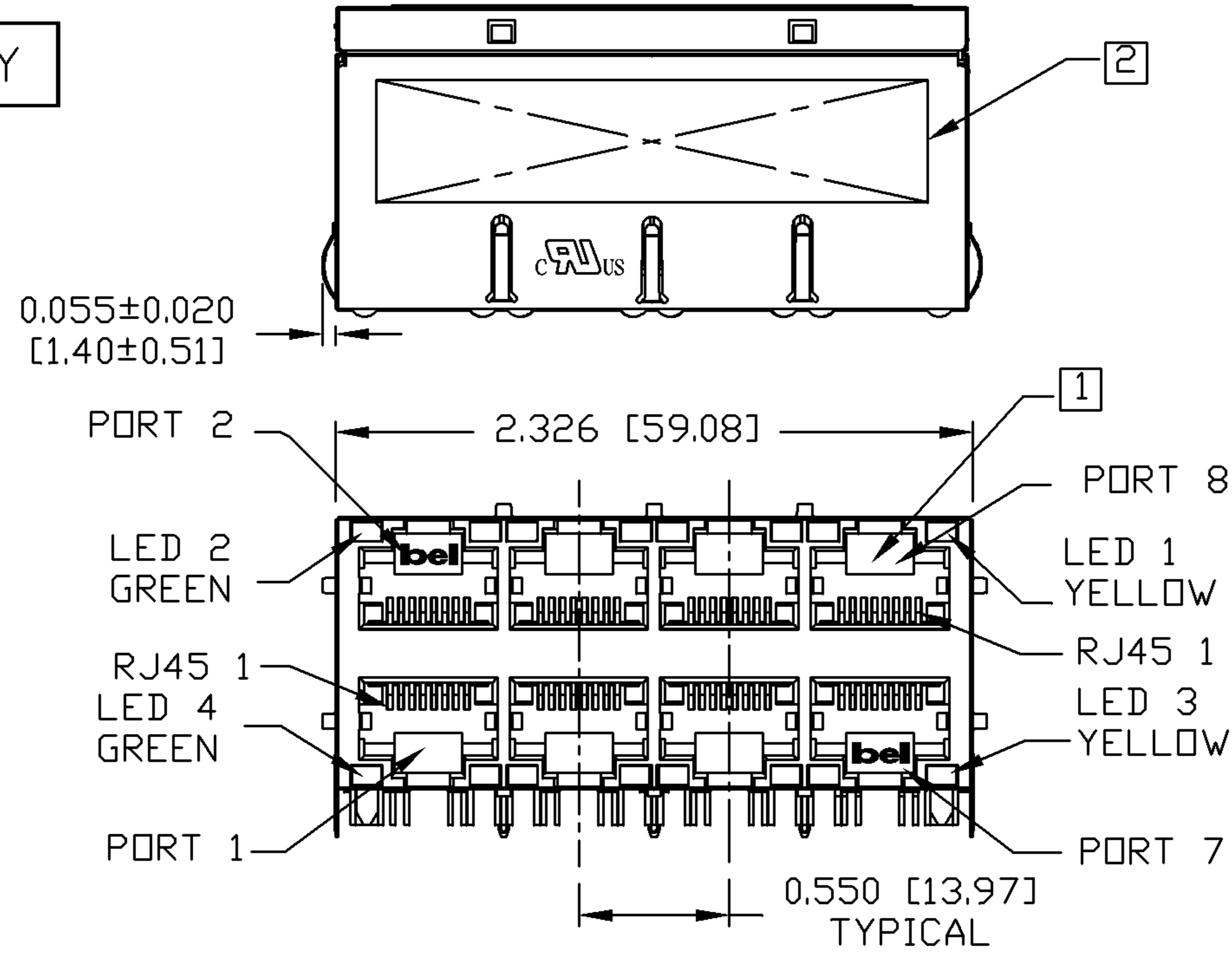
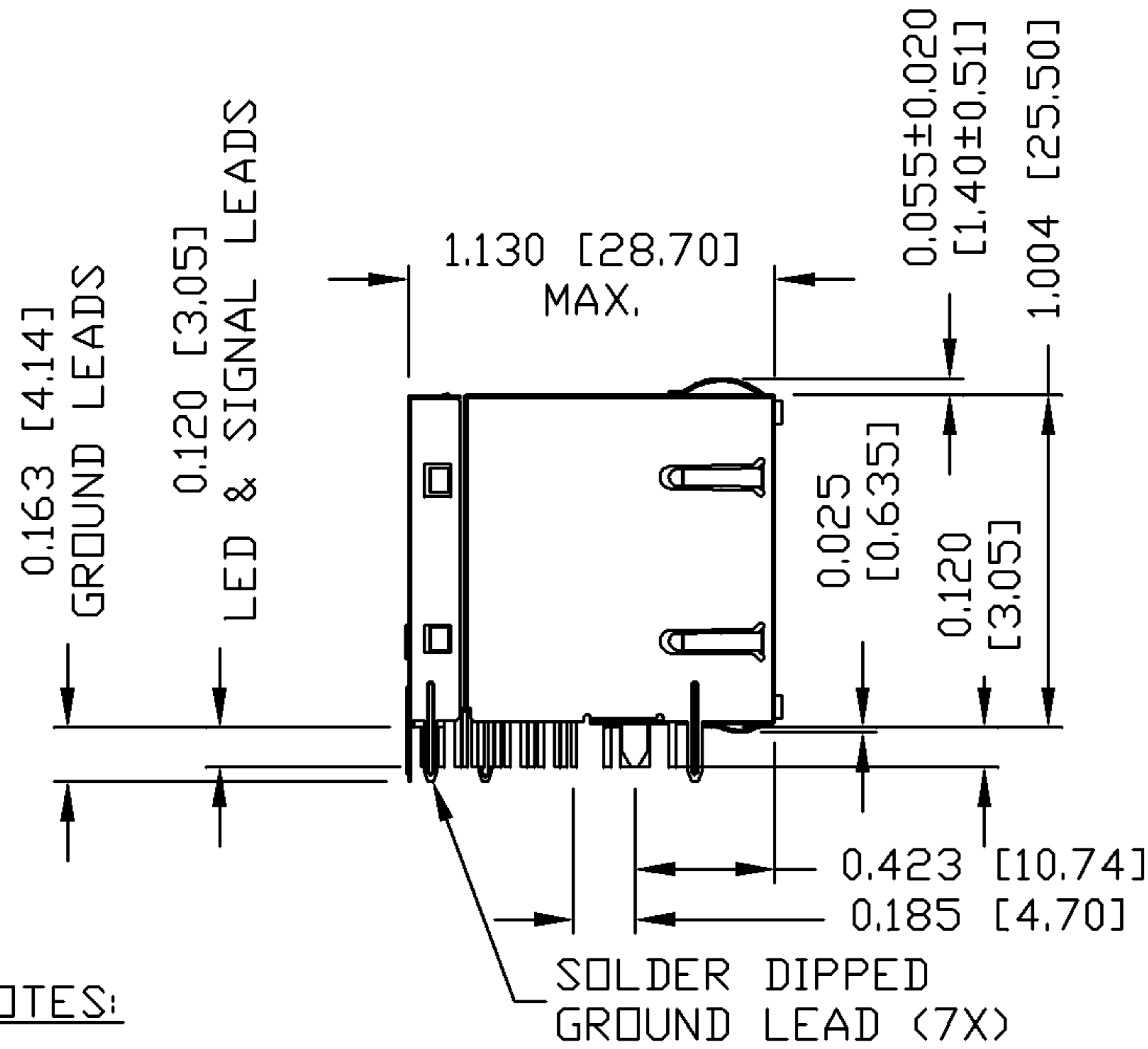
<b>[ ] METRIC DIM. AS REFERENCE</b>
UNIT : INCH [mm]
SCALE : N/A
REV. : PC
SIZE : A4
PAGE : 2



THE INFORMATION CONTAINED HEREIN IS CONSIDERED "PROPRIETARY" TO BEL FUSE INC. AND SHALL NOT BE COPIED, REPRODUCED OR DISCLOSED WITHOUT THE WRITTEN APPROVAL OF BEL FUSE INC.

PRELIMINARY

RoHS  
2002/95/EC



NOTES:

- PLASTIC HOUSING: THERMOPLASTIC PBT  
FLAMMABILITY RATING UL 94V-0
- CONTACT PLATING: 50 MICRO-INCH HARD GOLD PLATING
- OUTPUT PINS: TIN-COATED COPPER WIRE, DIA 0.018 INCH.
- METAL SHIELD: NICKEL PLATED ON COPPER ALLOY.  
(ALL GROUND LEADS ARE SOLDER DIPPED)

- [1] JACK CAVITY CONFORMS TO FCC RULES AND REGULATIONS, PART 68 SUBPART F.
  - [2] MARK PART WITH MFG LOGO, MFG NAME, PART NUMBER, AND DATE CODE.
  - 3. RoHS COMPLIANCE, PER EU DIRECTIVE 2002/95/EC.
- c USUL RECOGNIZED - FILE #E196366 AND E169987.

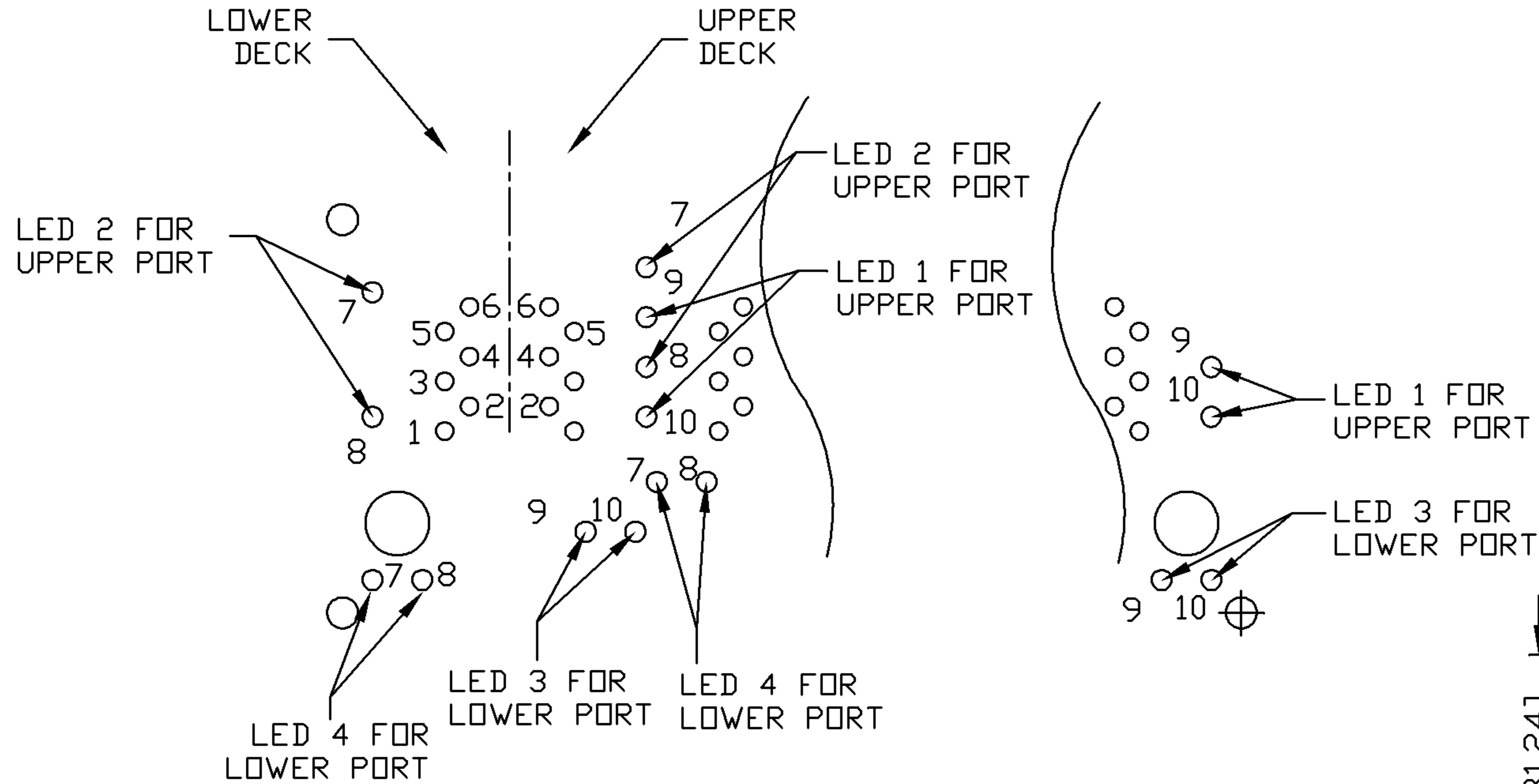
ORIGINATED BY ANTON LIAO	DATE 11-27-08	TITLE 2X4 MagJack® FOR 10/100 WITH UPPER AND LOWER LED (EXT. TEMP.)	PART NO. / DRAWING NO. 0879-2A4R-BV	STANDARD DIM. TOL. IN INCH	[ ] METRIC DIM. AS REFERENCE	 COMPONENTS FOR A CONNECTED PLANET
DRAWN BY SANDY LIN	DATE 11-27-08		FILE NAME 0879-2A4R-BV_PC.DWG	.X .XX .XXX	±0.010	
					REV. : PC SIZE : A4	
					PAGE : 3	

THE INFORMATION CONTAINED HEREIN IS CONSIDERED "PROPRIETARY" TO BEL FUSE INC. AND SHALL NOT BE COPIED, REPRODUCED OR DISCLOSED WITHOUT THE WRITTEN APPROVAL OF BEL FUSE INC.

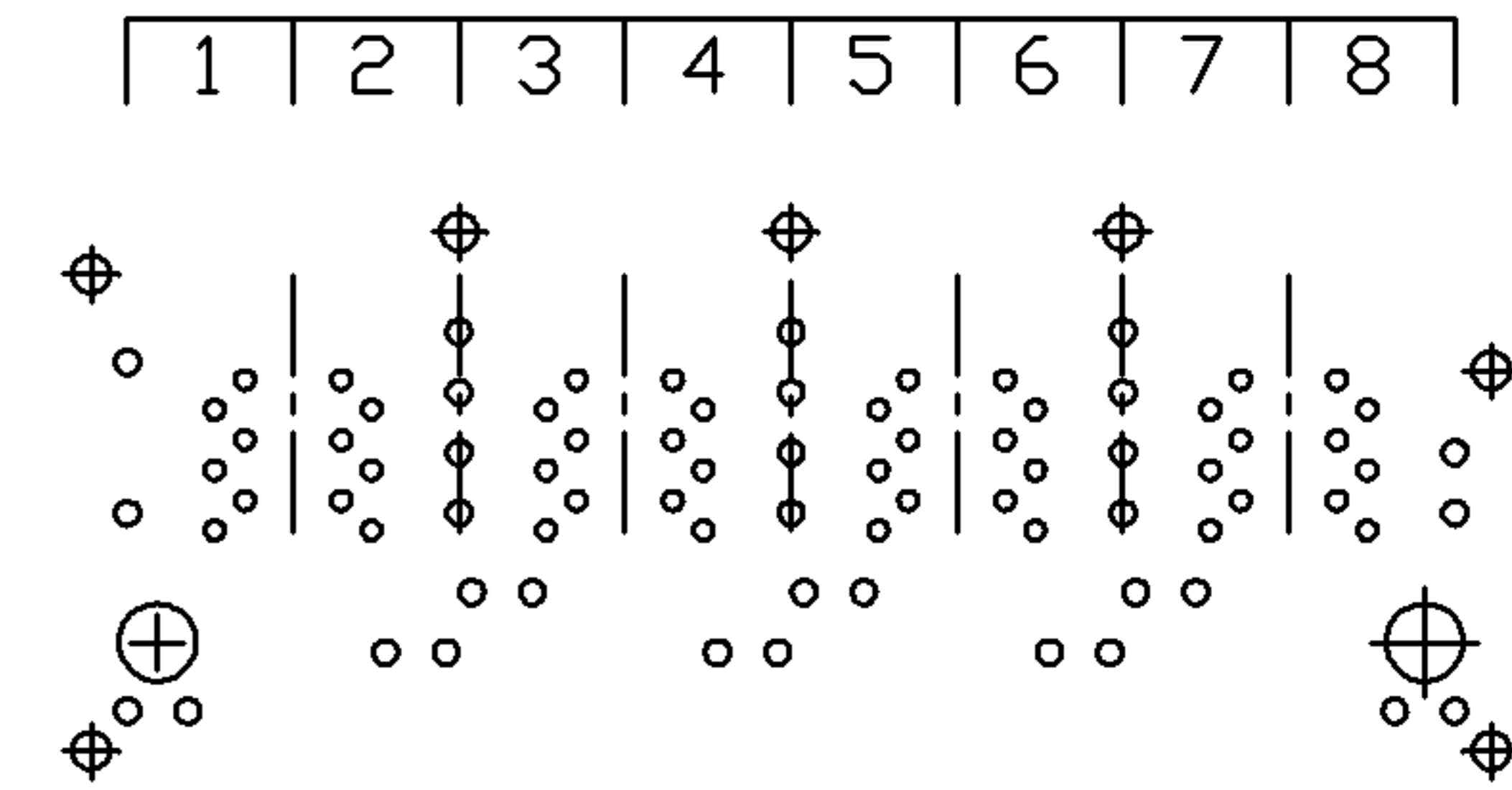
RoHS  
2002/95/EC



PRELIMINARY

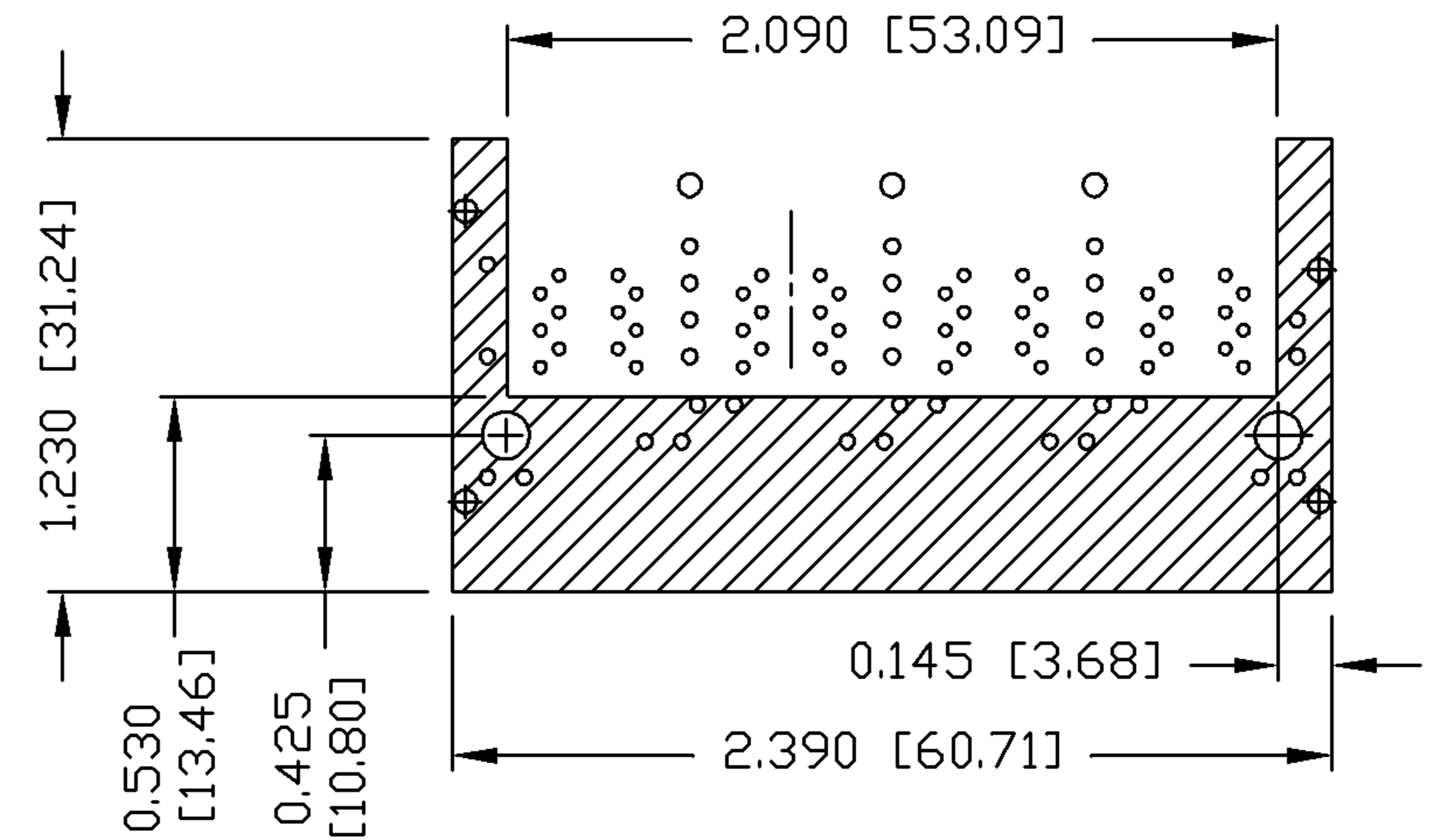


PORT ASSIGNMENT  
(COMPONENT SIDE VIEW)



PIN-OUT INFORMATION  
(COMPONENT SIDE VIEW)

10	YELLOW -
9	YELLOW +
8	GREEN -
7	GREEN +
6	TD-
5	TCT
4	TD+
3	RD-
2	RCT
1	RD+



THE SHADED AREA ON THE CUSTOMER BOARD ARE RECOMMENDED TO BE CLEAR OFF ANY VIA HOLE OR COMPONENT PAD.

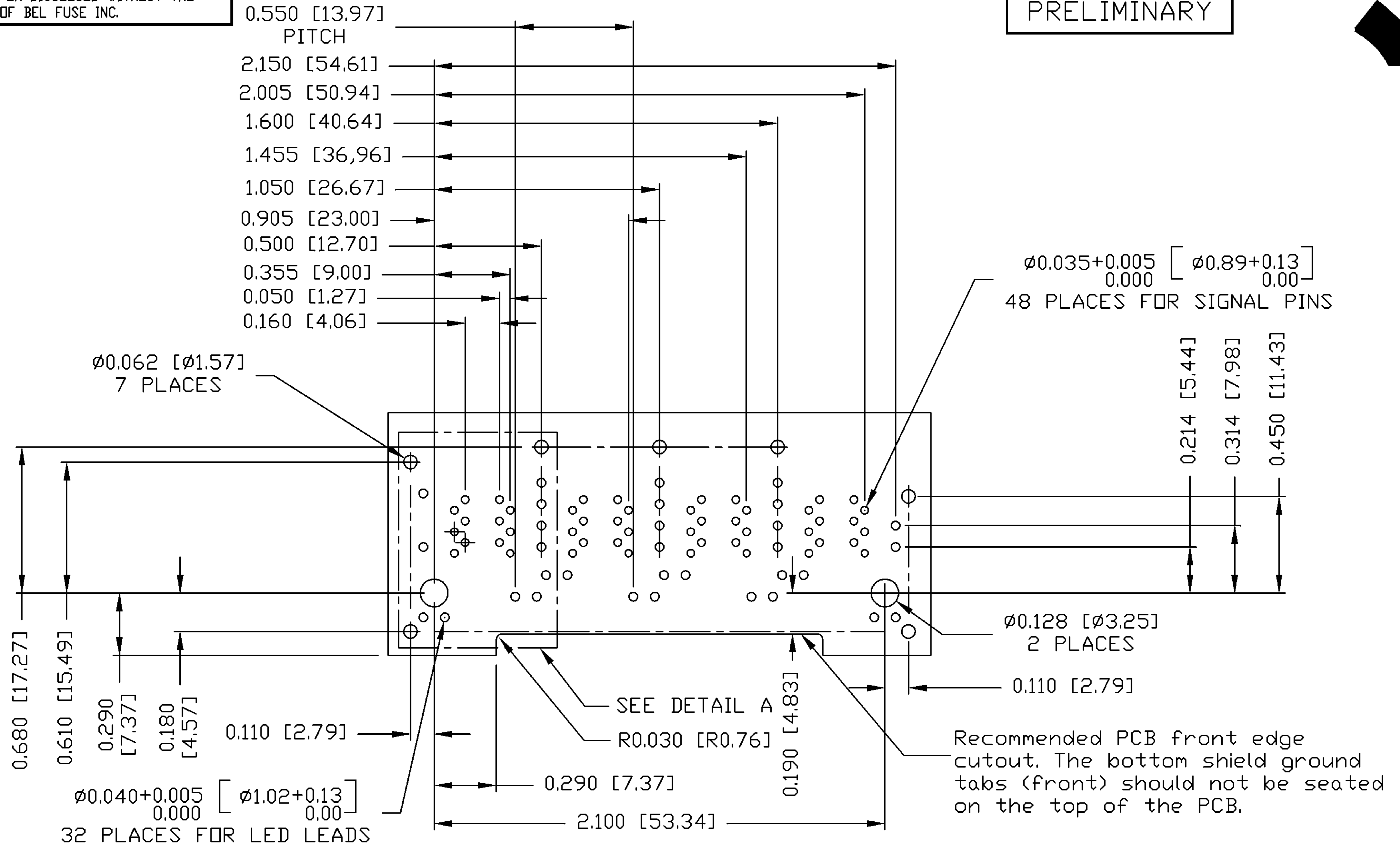
ORIGINATED BY ANTON LIAO	DATE 11-27-08	TITLE 2X4 MagJack® FOR 10/100 WITH UPPER AND LOWER LED (EXT. TEMP.)	PART NO. / DRAWING NO. 0879-2A4R-BV	STANDARD DIM. TOL. IN INCH	[ ] METRIC DIM. AS REFERENCE	<p>COMPONENTS FOR A CONNECTED PLANET</p>
DRAWN BY SANDY LIN	DATE 11-27-08	FILE NAME 0879-2A4R-BV_PC.DWG	.X	UNIT : INCH [mm]	REV. : PC	
			.XX	SCALE : N/A	SIZE : A4	
			.XXX ±0.004		PAGE : 4	

THE INFORMATION CONTAINED HEREIN IS CONSIDERED "PROPRIETARY" TO BEL FUSE INC. AND SHALL NOT BE COPIED, REPRODUCED OR DISCLOSED WITHOUT THE WRITTEN APPROVAL OF BEL FUSE INC.

RoHS  
2002/95/EC



PRELIMINARY



ORIGINATED BY ANTON LIAO	DATE 11-27-08	TITLE 2X4 MagJack® FOR 10/100 WITH UPPER AND LOWER LED (EXT. TEMP.)	PART NO. / DRAWING NO. 0879-2A4R-BV	STANDARD DIM. TOL. IN INCH	[ ] METRIC DIM. AS REFERENCE
DRAWN BY SANDY LIN	DATE 11-27-08		FILE NAME 0879-2A4R-BV_PC.DWG	.X	UNIT : INCH [mm] REV. : PC
				.XX	SCALE : N/A SIZE : A4
				.XXX ±0.004	⊕ — □ PAGE : 5

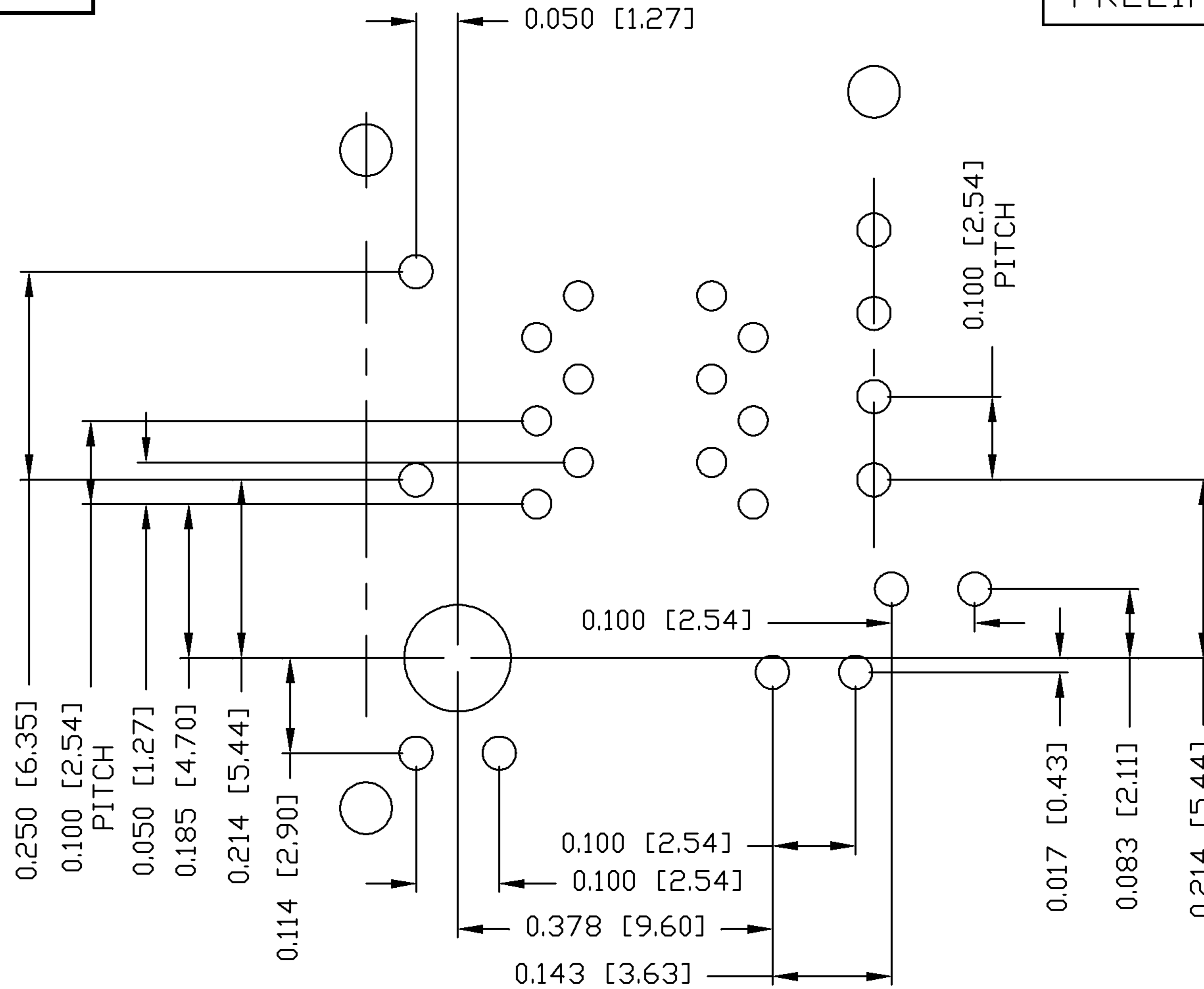


THE INFORMATION CONTAINED HEREIN IS CONSIDERED "PROPRIETARY" TO BEL FUSE INC. AND SHALL NOT BE COPIED, REPRODUCED OR DISCLOSED WITHOUT THE WRITTEN APPROVAL OF BEL FUSE INC.

RoHS  
2002/95/EC



PRELIMINARY



DETAIL A

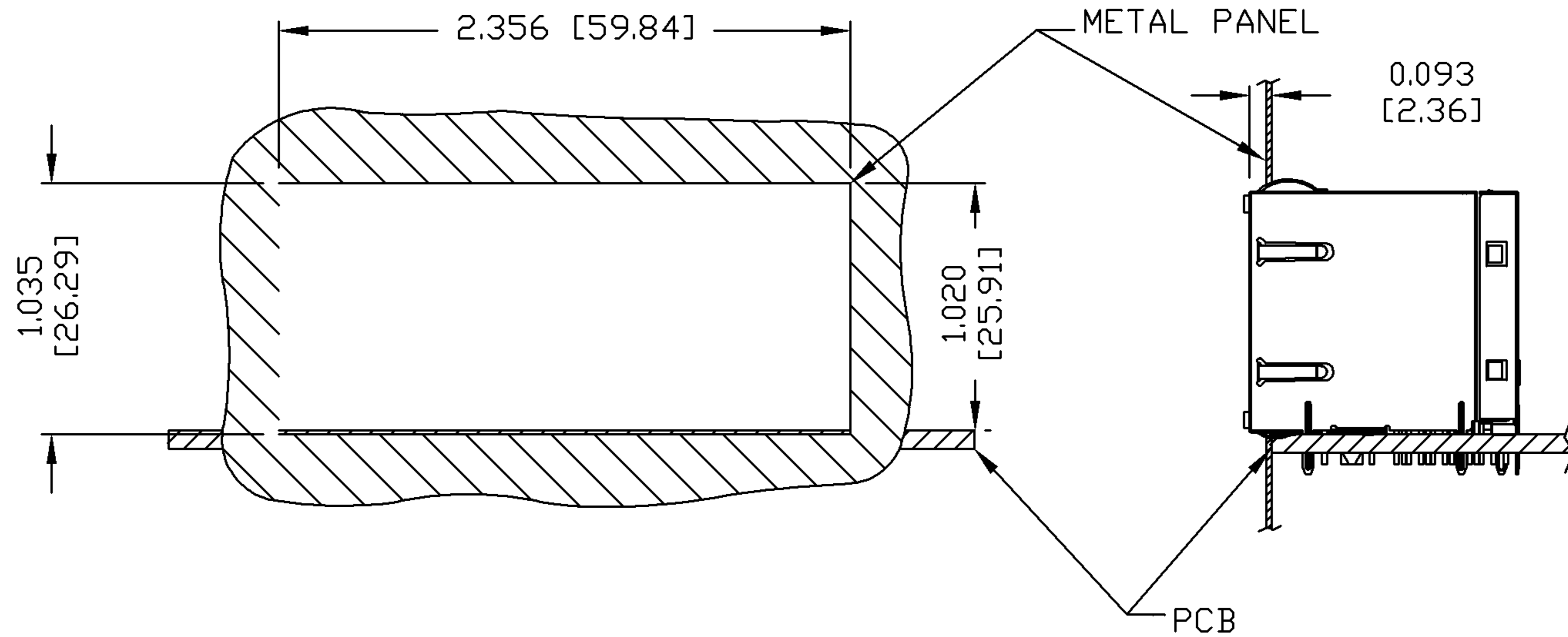
ORIGINATED BY ANTON LIAO	DATE 11-27-08	TITLE 2X4 MagJack® FOR 10/100 WITH UPPER AND LOWER LED (EXT. TEMP.)	PART NO. / DRAWING NO. 0879-2A4R-BV	STANDARD DIM. TOL. IN INCH	[ ] METRIC DIM. AS REFERENCE	
DRAWN BY SANDY LIN	DATE 11-27-08		FILE NAME 0879-2A4R-BV_PC.DWG	.X .XX .XXX	UNIT : INCH [mm]	REV. : PC
				±0.004	SCALE : N/A	SIZE : A4
					PAGE : 6	

THE INFORMATION CONTAINED HEREIN IS CONSIDERED "PROPRIETARY" TO BEL FUSE INC. AND SHALL NOT BE COPIED, REPRODUCED OR DISCLOSED WITHOUT THE WRITTEN APPROVAL OF BEL FUSE INC.

PRELIMINARY



SUGGESTED PANEL OPENING



NOTE:

THE DISTANCE OF PANEL INSIDE SURFACE RELATIVE TO FRONT SURFACE OF PART IS ONLY A SUGGESTION. IN CASE THIS DISTANCE IS DIFFERENT, THE REQUIRED PANEL OPENING DIMENSIONS CHANGE ACCORDINGLY.

PACKING INFORMATION

PACKING TRAY : 0200-9999-Q1 (TOP)  
0200-9999-Q2 (BOTTOM)

PACKING QUANTITY : 20 PCS FINISHED GOODS PER TRAY  
7 TRAYS (140 PCS FINISHED GOODS) PER CARTON BOX

NOTE : CARDBOARDS ARE PLACED BETWEEN LAYERS OF PACKING TRAY INSIDE CARTON BOX  
(INCLUDE THE UPPERMOST AND LOWERMOST TRAY)

ORIGINATED BY ANTON LIAO	DATE 11-27-08	TITLE 2X4 MagJack® FOR 10/100 WITH UPPER AND LOWER LED (EXT. TEMP.)	PART NO. / DRAWING NO. 0879-2A4R-BV		STANDARD DIM. TOL. IN INCH		[ ] METRIC DIM. AS REFERENCE		 COMPONENTS FOR A CONNECTED PLANET
	DRAWN BY SANDY LIN		DATE 11-27-08	FILE NAME 0879-2A4R-BV_PC.DWG	.X		UNIT : INCH [mm]	REV. : PC	
				.XX		SCALE : N/A	SIZE : A4		
				.XXX	±0.004		PAGE : 7		