

THE INFORMATION CONTAINED HEREIN IS CONSIDERED "PROPRIETARY" TO BEL FUSE INC. AND SHALL NOT BE COPIED, REPRODUCED OR DISCLOSED WITHOUT THE WRITTEN APPROVAL OF BEL FUSE INC.

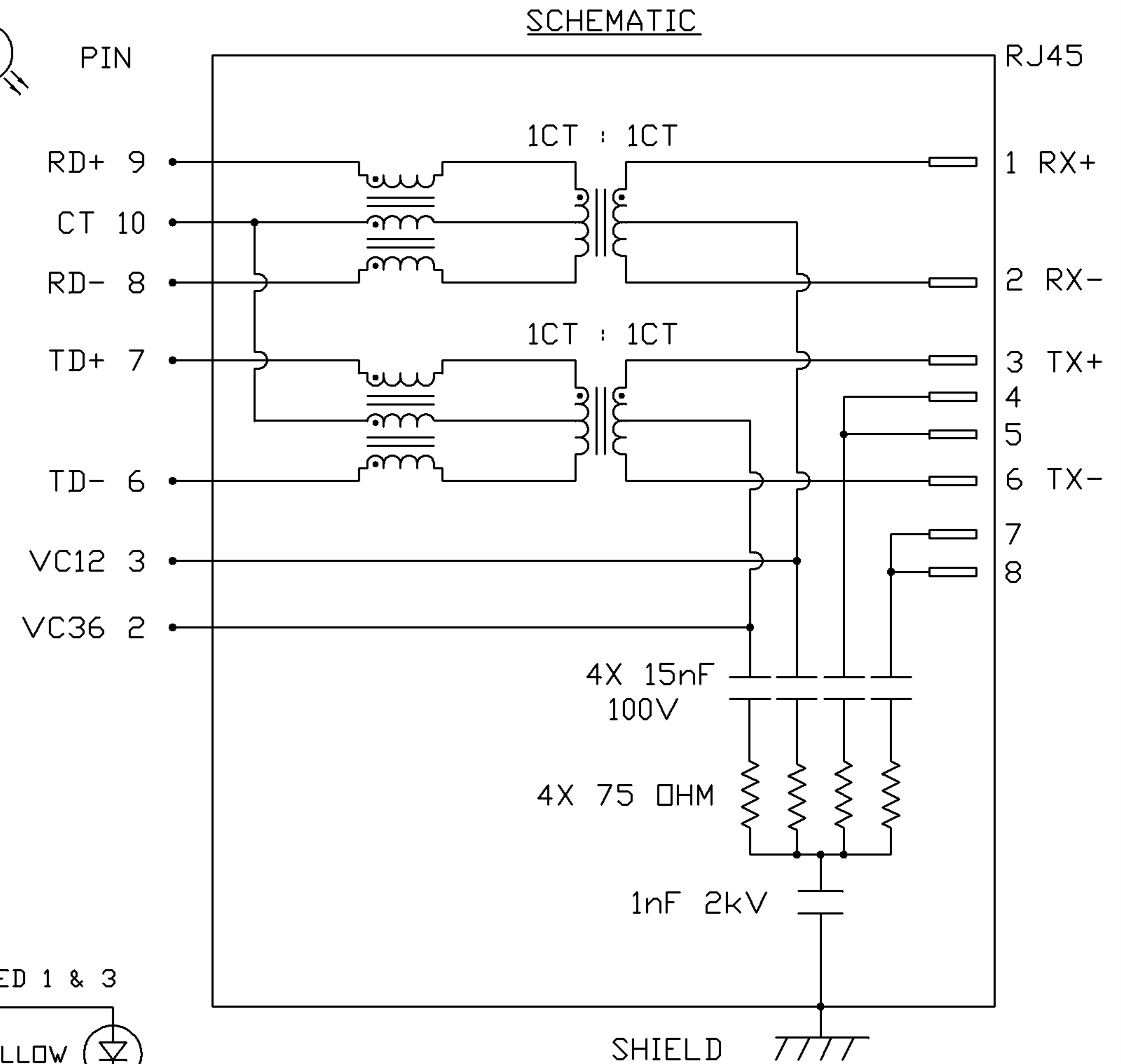
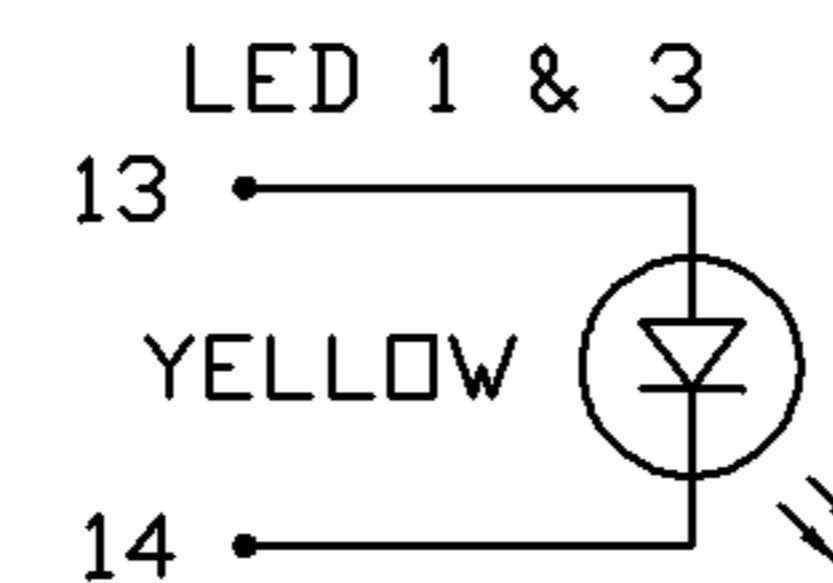
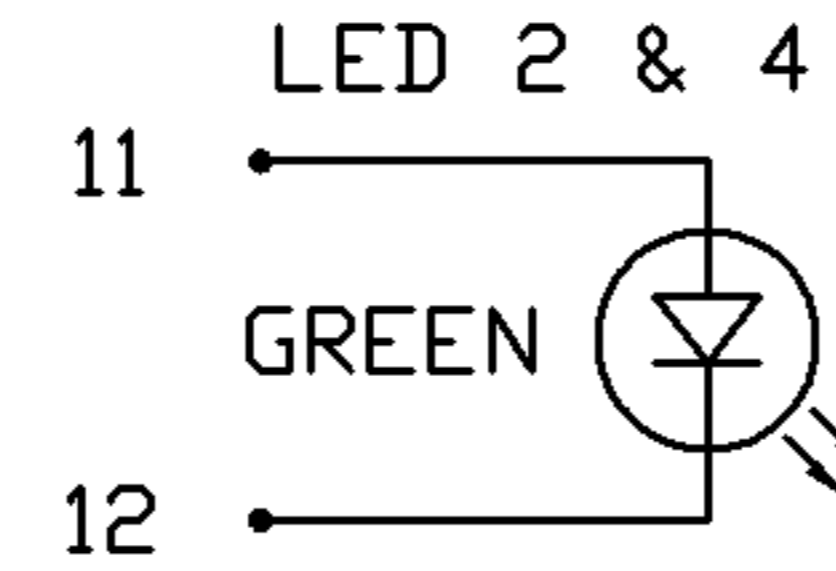
LED 2 & 4 POLARITY			LED 1 & 3 POLARITY		
PIN 11	PIN 12	COLOR	PIN 13	PIN 14	COLOR
+	-	GREEN	+	-	YELLOW

PRELIMINARY



ELECTRICAL CHARACTERISTICS @ 25°C

<p>URNS RATIO            OCL @ 0.1V, 100KHz            8mA DC BIAS            INSERTION LOSS            100KHz TO 100MHZ            RETURN LOSS (MIN.)            2MHZ-30MHZ            60MHZ-80MHZ            LEAKAGE INDUCTANCE            PRIMARY W/ SECONDARY SHORTED            D.C. RESISTANCE            (9-8)=(7-6)            (RJ1-RJ2)=(RJ3-RJ6)            INTERWINDING CAPACITANCE            PER CHANNEL (PRI. to SEC.)            XTALK            100KHz TO 100MHZ            HIPOT (Isolation Voltage):            100% OF PRODUCTION TESTED            TO COMPLY WITH IEEE 802.3 ISOLATION REQUIREMENTS</p>	<p>1CT : 1CT ±2%            350µH MIN.              -1.5 dB MAX.              -16 dB MIN.            -10 dB MIN.            0.25µH MAX. @ 1MHz            1.4 OHM .            1.0 OHM .            40 pF MAX.            -30 dB MIN.            2250 VDC</p>
--	---



LED 2 & 4	VF (FORWARD VOLTAGE)	IF=20mA	GREEN	2.2V TYP.
	λD (DOMINANT WAVELENGTH)	IF=20mA	GREEN	565nm TYP.
LED 1 & 3	VF (FORWARD VOLTAGE)	IF=20mA	YELLOW	2.1V TYP.
	λD (DOMINANT WAVELENGTH)	IF=20mA	YELLOW	590nm TYP.

OPERATING TEMPERATURE: -40 TO +85°C

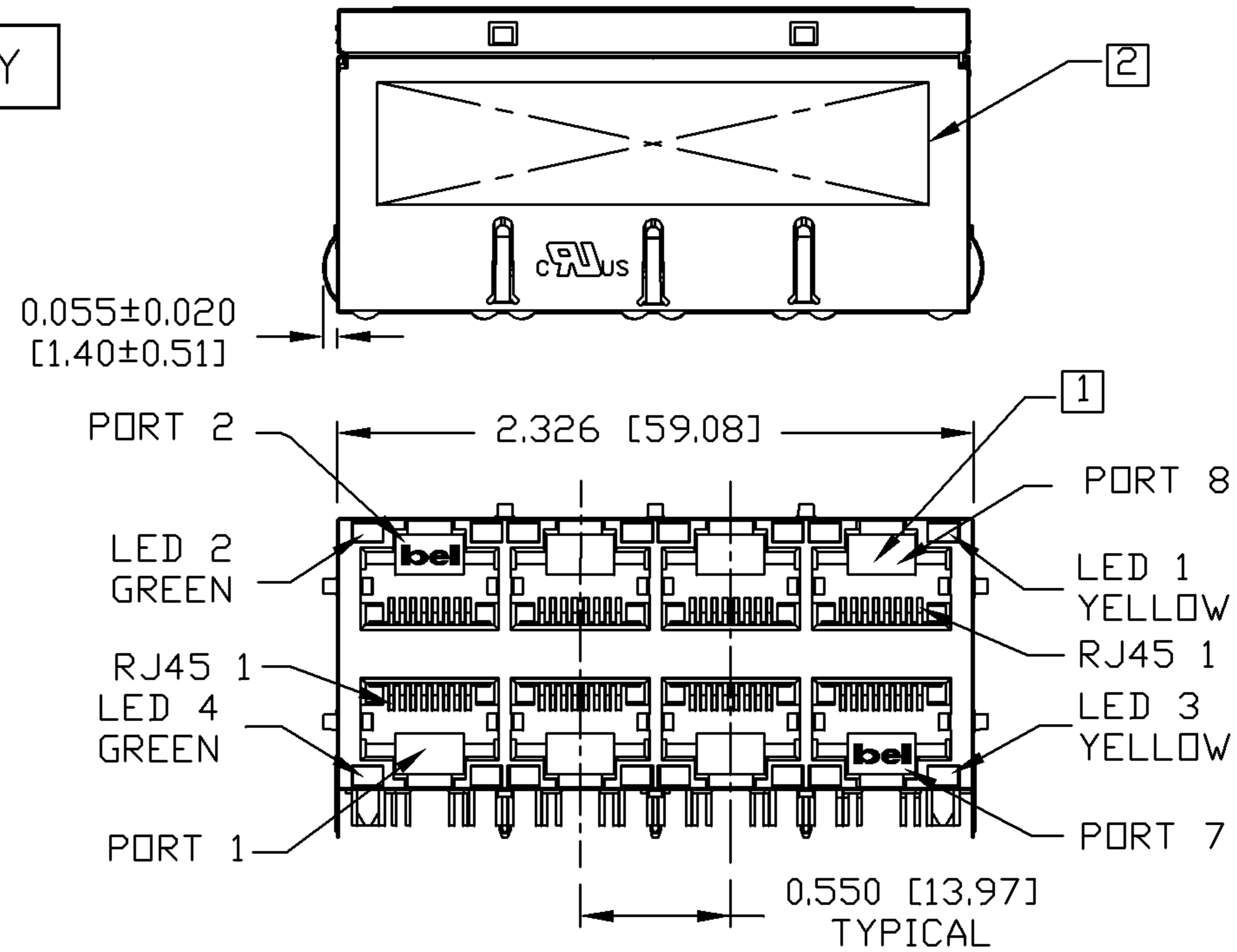
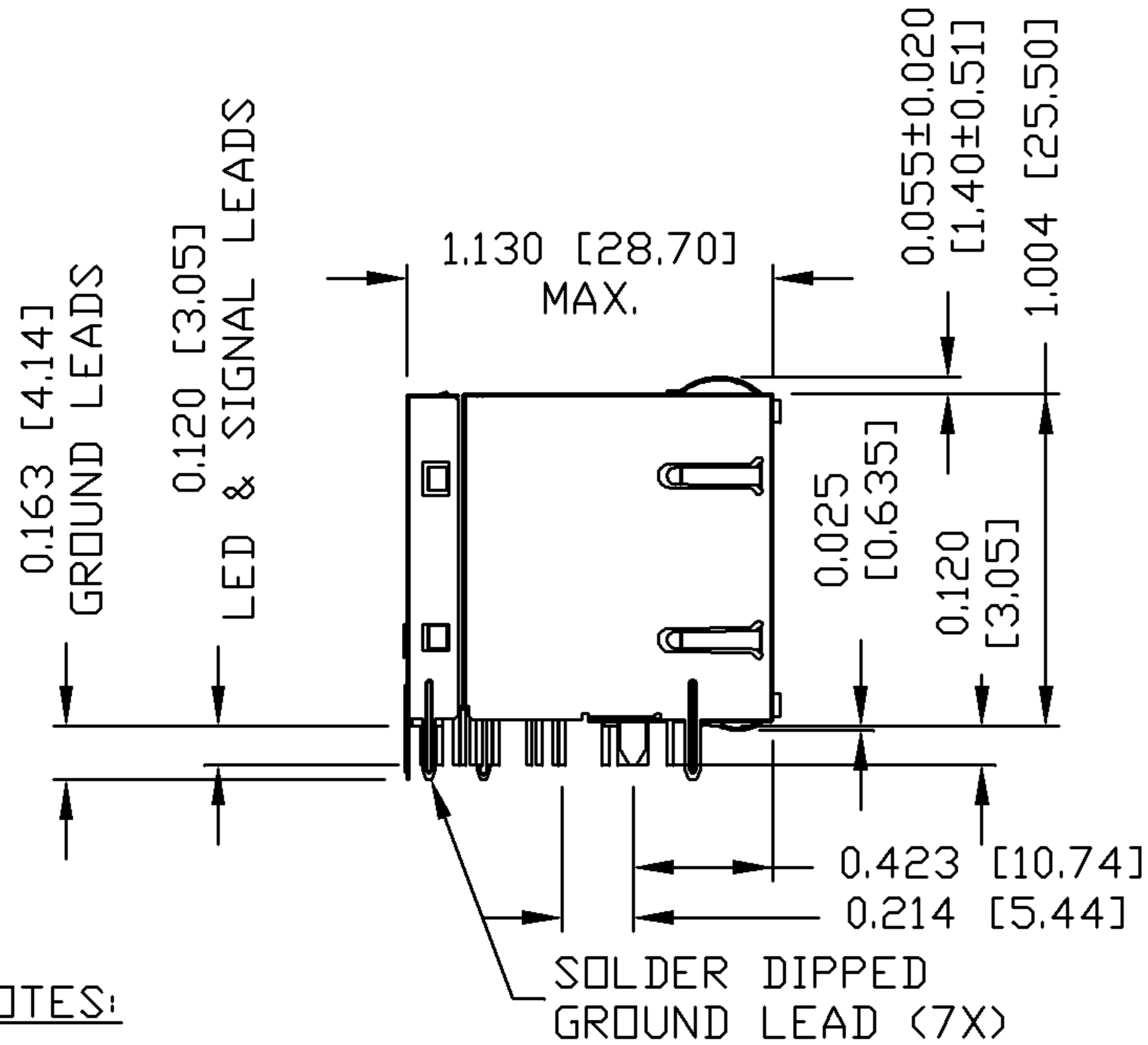
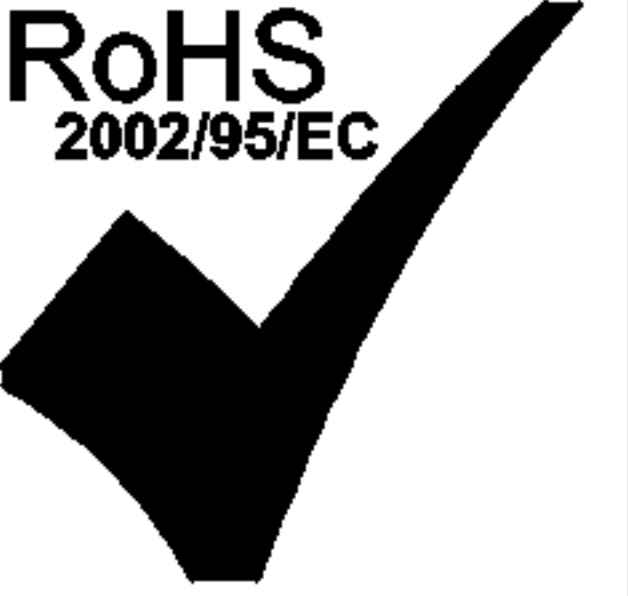
ORIGINATED BY	DATE	TITLE	PART NO. / DRAWING NO.	STANDARD DIM. TOL. IN INCH	[ ] METRIC DIM. AS REFERENCE
CHOW WANCHUNG	11-27-08	2X4 10/100 MagJack® (VIOP WITH EXTENDED TEMPERATURE)	0879-2A4R-AS	.X .XX .XXX	UNIT : INCH [mm] REV. : PB SCALE : N/A SIZE : A4 PAGE : 2
DRAWN BY	DATE		FILE NAME		
WEIDE LEE	11-27-08		0879-2A4R-AS_PB.DWG		



THE INFORMATION CONTAINED HEREIN IS CONSIDERED "PROPRIETARY" TO BEL FUSE INC. AND SHALL NOT BE COPIED, REPRODUCED OR DISCLOSED WITHOUT THE WRITTEN APPROVAL OF BEL FUSE INC.

PRELIMINARY

RoHS  
2002/95/EC



NOTES:

- PLASTIC HOUSING: THERMOPLASTIC PBT  
FLAMMABILITY RATING UL 94V-0
- CONTACT PLATING: 50 MICRO-INCH HARD GOLD PLATING
- OUTPUT PINS: TIN-COATED COPPER WIRE, DIA 0.018 INCH.
- METAL SHIELD: NICKEL PLATED ON COPPER ALLOY.  
(ALL GROUND LEADS ARE SOLDER DIPPED)

- [1.] JACK CAVITY CONFORMS TO FCC RULES AND REGULATIONS, PART 68 SUBPART F.
- [2.] MARK PART WITH MFG LOGO, MFG NAME, PART NUMBER, AND DATE CODE.

3. RoHS COMPLIANCE, PER EU DIRECTIVE 2002/95/EC.

USUL RECOGNIZED - FILE #E196366 AND E169987.

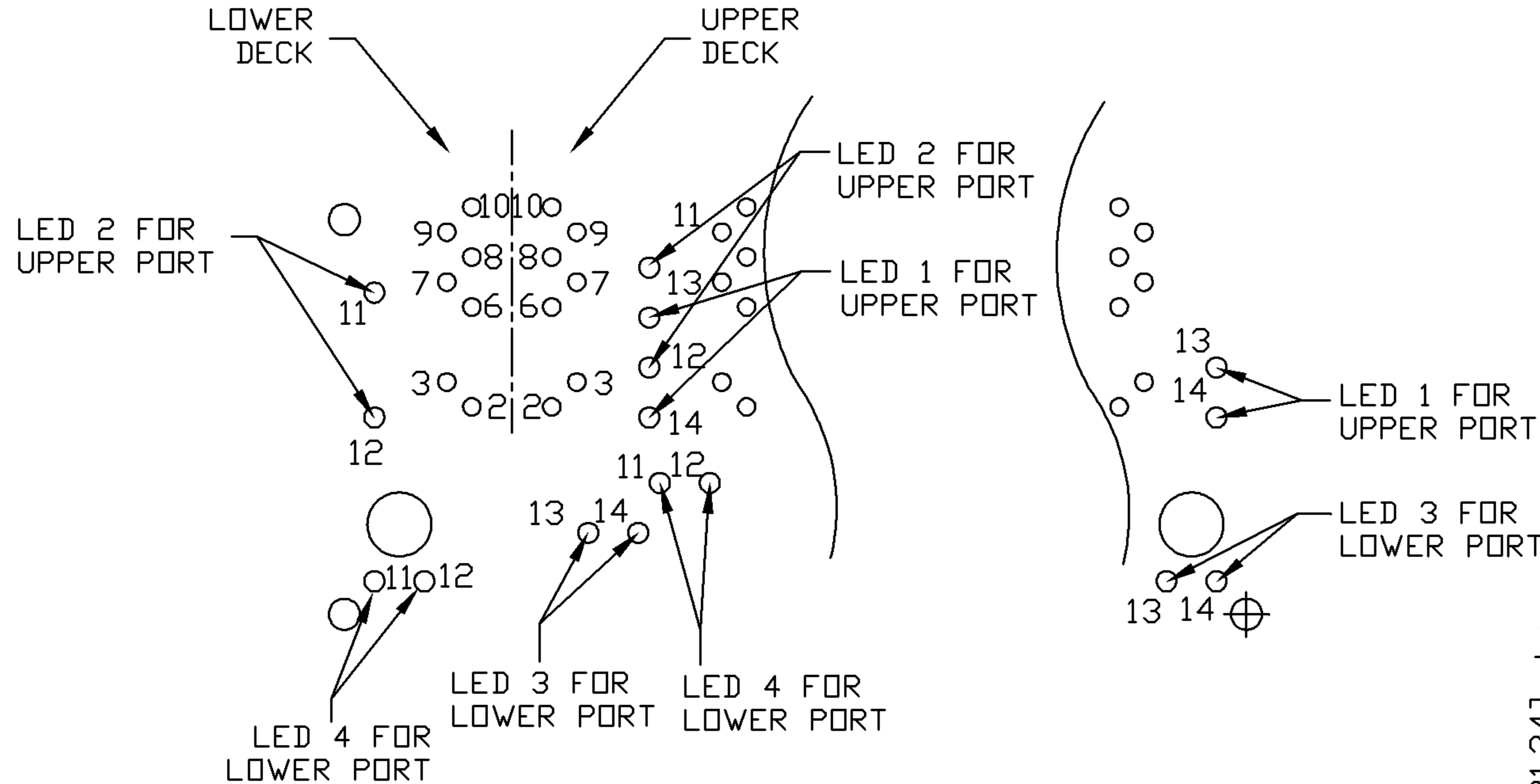
ORIGINATED BY ANTON LIAO	DATE 11-27-08	TITLE 2X4 10/100 MagJack® (VIOP WITH EXTENDED TEMPERATURE)	PART NO. / DRAWING NO. 0879-2A4R-AS	STANDARD DIM. TOL. IN INCH	[ ] METRIC DIM. AS REFERENCE	 COMPONENTS FOR A CONNECTED PLANET
DRAWN BY SANDY LIN	DATE 11-27-08		FILE NAME 0879-2A4R-AS_PB.DWG	.X	UNIT : INCH [mm]	
			.XX	SCALE : N/A	SIZE : A4	
			.XXX	±0.010	PAGE : 3	

THE INFORMATION CONTAINED HEREIN IS CONSIDERED "PROPRIETARY" TO BEL FUSE INC. AND SHALL NOT BE COPIED, REPRODUCED OR DISCLOSED WITHOUT THE WRITTEN APPROVAL OF BEL FUSE INC.

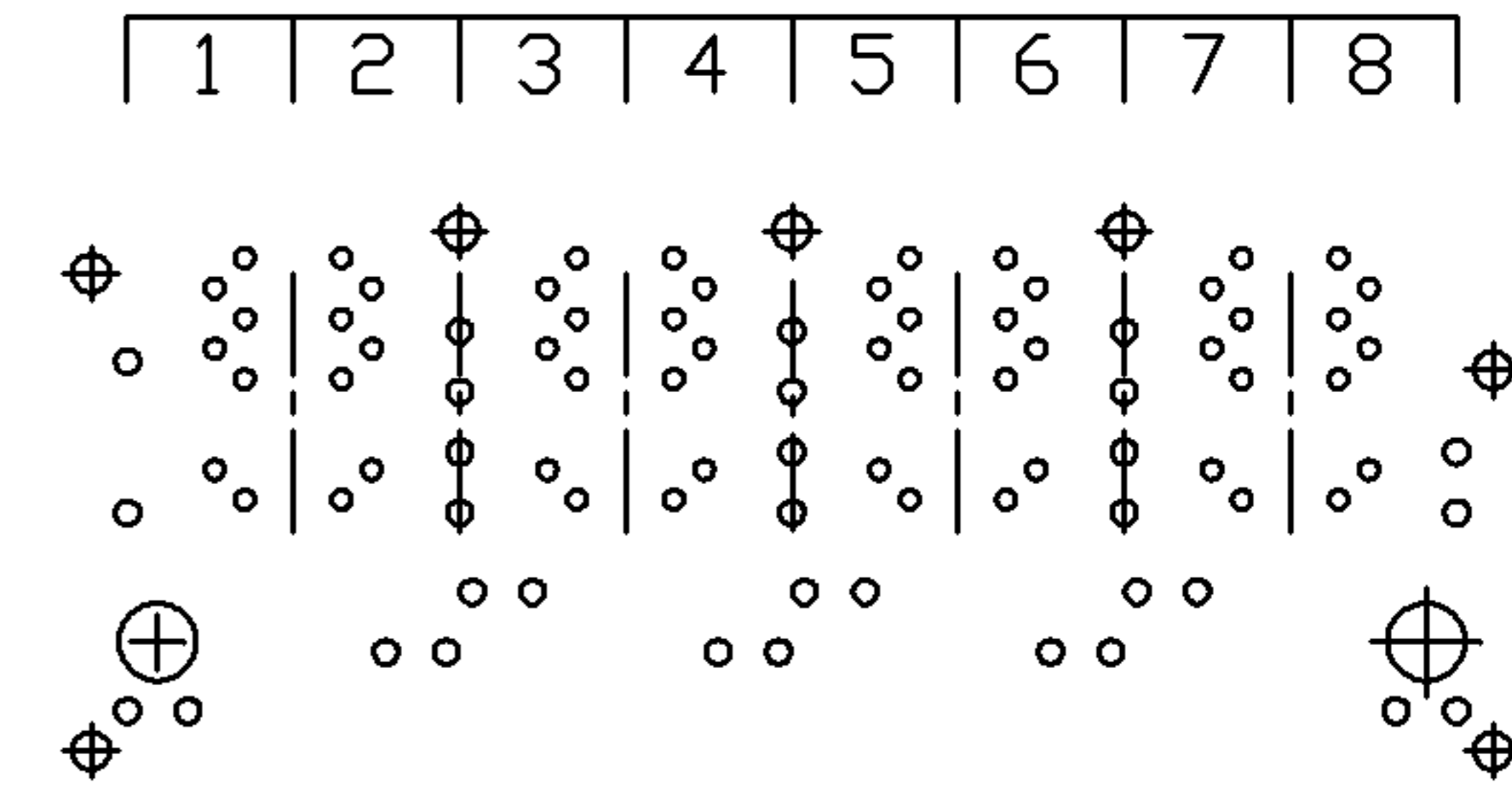
RoHS  
2002/95/EC



PRELIMINARY



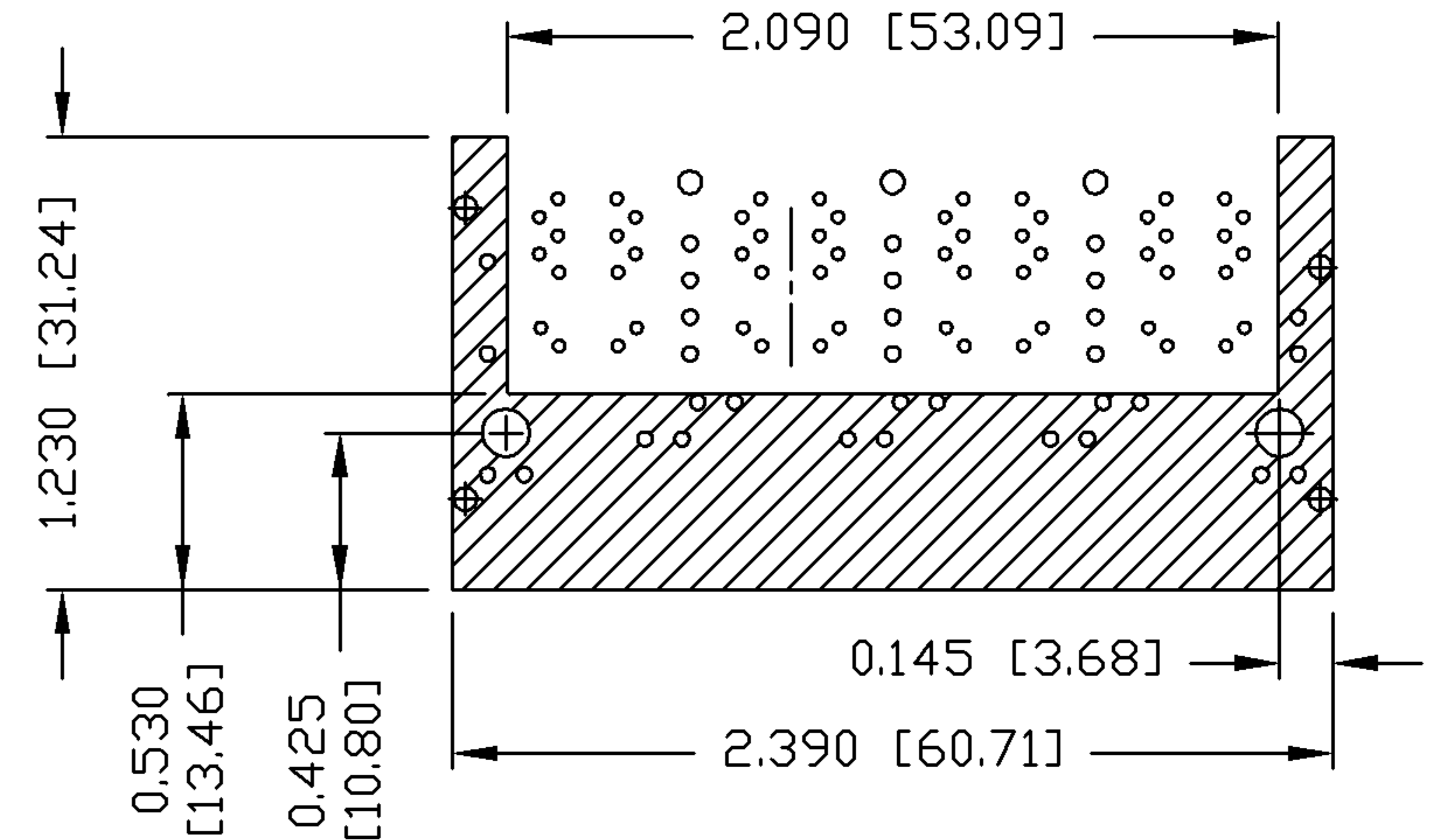
PORT ASSIGNMENT  
(COMPONENT SIDE VIEW)



PIN-OUT INFORMATION  
(COMPONENT SIDE VIEW)

10	COMMON CT		
9	RD+		
8	RD-		
7	TD+		
6	TD-		
5	NO PIN		
4	NO PIN	14	YELLOW -
3	VC12	13	YELLOW +
2	VC36	12	GREEN -
1	NO PIN	11	GREEN +

UNUSED PIN LOCATIONS MUST BE REMOVED TO ENSURE 2KV ISOLATION.

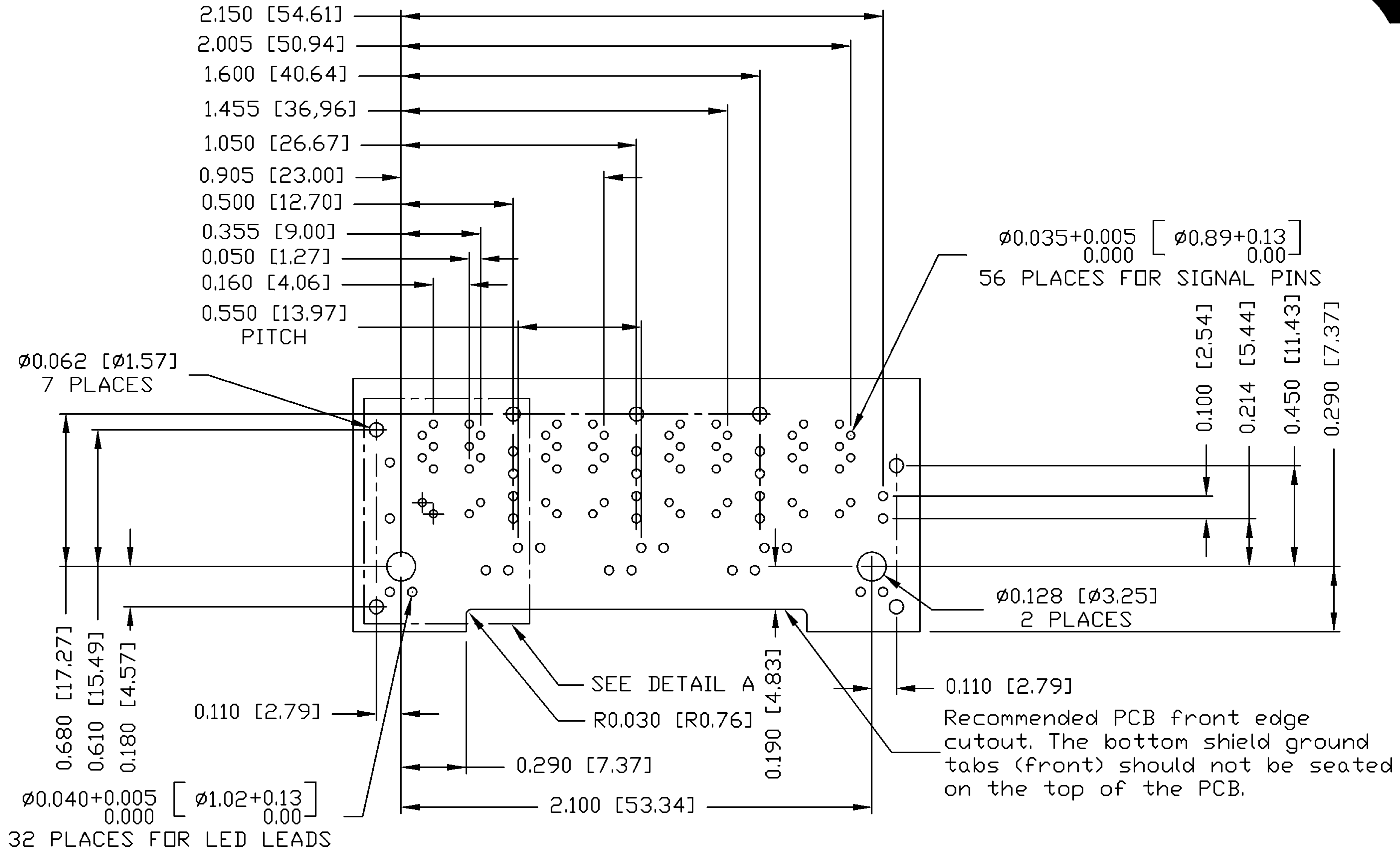


THE SHADED AREA ON THE CUSTOMER BOARD ARE RECOMMENDED TO BE CLEAR OFF ANY VIA HOLE OR COMPONENT PAD.

ORIGINATED BY ANTON LIAO	DATE 11-27-08	TITLE 2X4 10/100 MagJack® (VIOP WITH EXTENDED TEMPERATURE)	PART NO. / DRAWING NO. 0879-2A4R-AS	STANDARD DIM. TOL. IN INCH	[ ] METRIC DIM. AS REFERENCE	<p>COMPONENTS FOR A CONNECTED PLANET</p>
DRAWN BY SANDY LIN	DATE 11-27-08		FILE NAME 0879-2A4R-AS_PB.DWG	.X .XX .XXX	±0.004	
					REV. : PB SIZE : A4	
					PAGE : 4	

THE INFORMATION CONTAINED HEREIN IS CONSIDERED "PROPRIETARY" TO BEL FUSE INC. AND SHALL NOT BE COPIED, REPRODUCED OR DISCLOSED WITHOUT THE WRITTEN APPROVAL OF BEL FUSE INC.

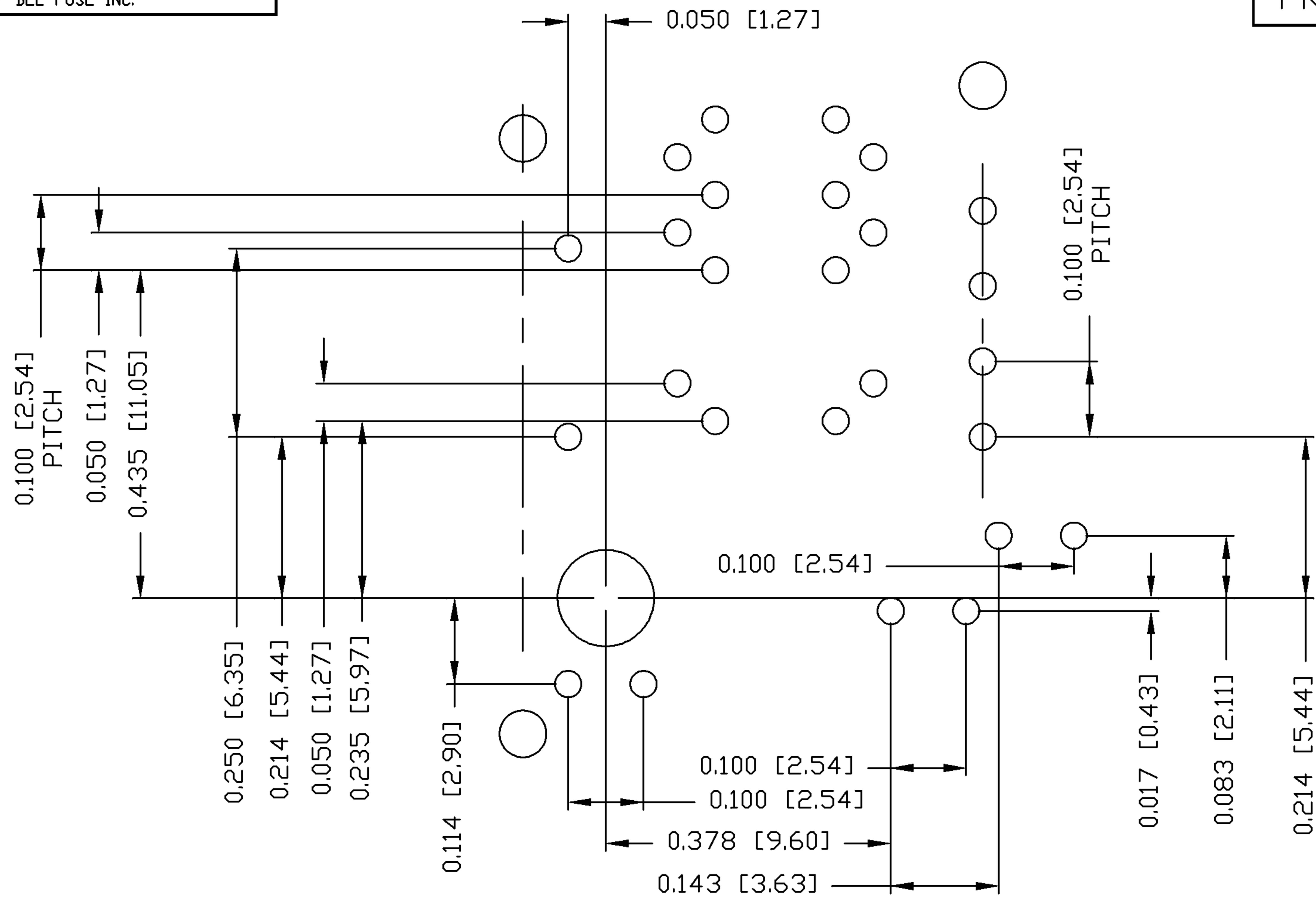
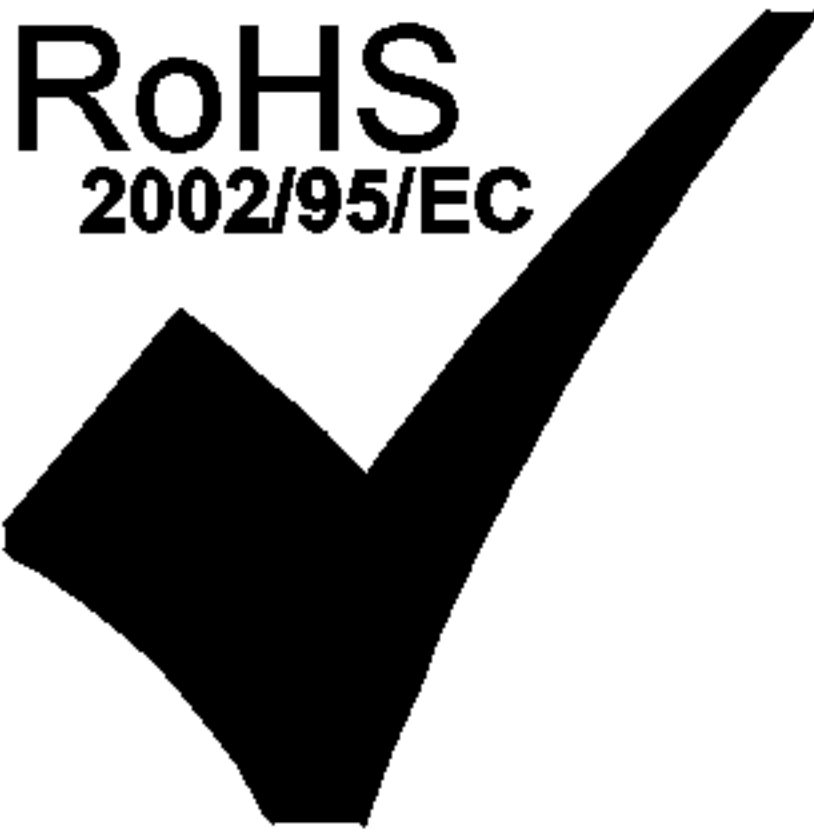
PRELIMINARY



ORIGINATED BY ANTON LIAO	DATE 11-27-08	TITLE 2X4 10/100 MagJack® (VIDIP WITH EXTENDED TEMPERATURE)	PART NO. / DRAWING NO. 0879-2A4R-AS	STANDARD DIM. TOL. IN INCH	[ ] METRIC DIM. AS REFERENCE	 COMPONENTS FOR A CONNECTED PLANET
DRAWN BY SANDY LIN	DATE 11-27-08	FILE NAME 0879-2A4R-AS_PB.DWG	.X	UNIT : INCH [mm]	REV. : PB	
			.XX	SCALE : N/A	SIZE : A4	
			.XXX	±0.004	PAGE : 5	

THE INFORMATION CONTAINED HEREIN IS CONSIDERED "PROPRIETARY" TO BEL FUSE INC. AND SHALL NOT BE COPIED, REPRODUCED OR DISCLOSED WITHOUT THE WRITTEN APPROVAL OF BEL FUSE INC.

PRELIMINARY



DETAIL A

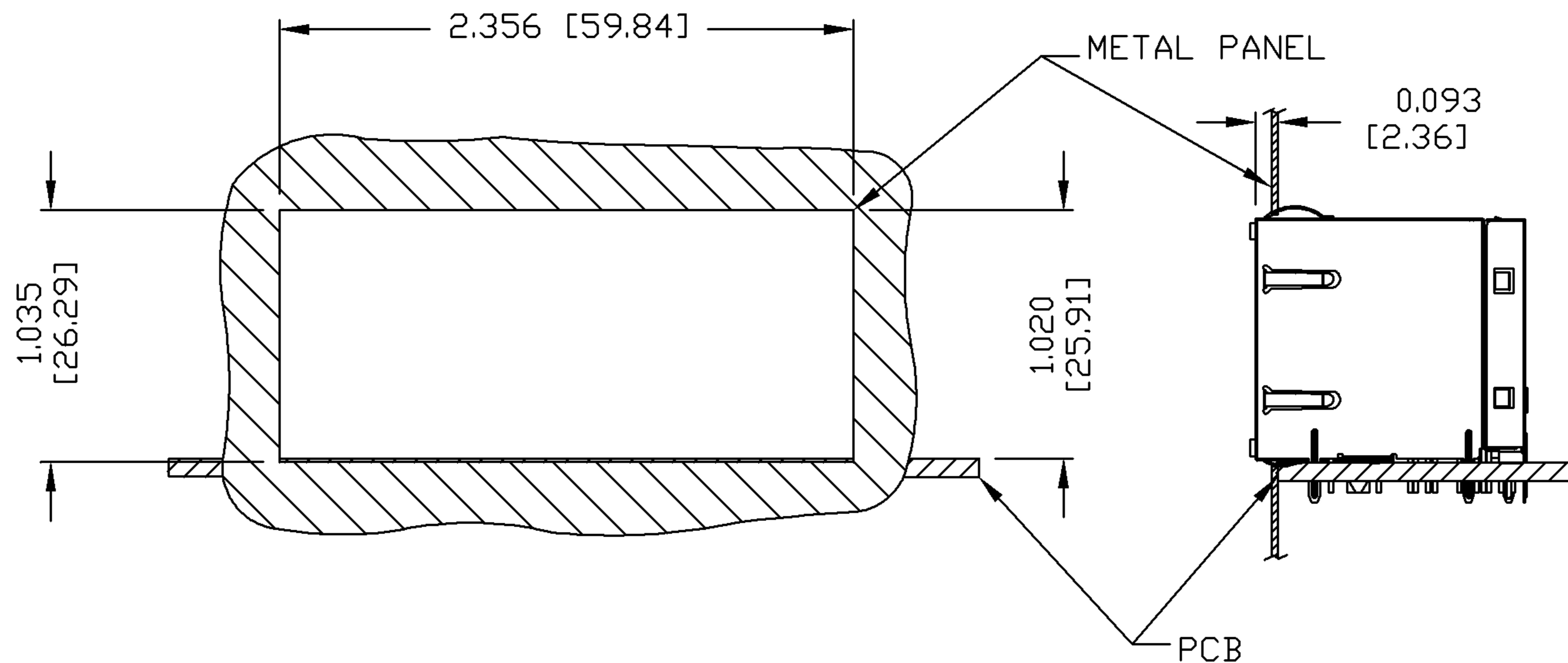
ORIGINATED BY ANTON LIAO	DATE 11-27-08	TITLE 2X4 10/100 MagJack® (VIOP WITH EXTENDED TEMPERATURE)	PART NO. / DRAWING NO. 0879-2A4R-AS	STANDARD DIM. TOL. IN INCH	[ ] METRIC DIM. AS REFERENCE	 COMPONENTS FOR A CONNECTED PLANET
DRAWN BY SANDY LIN	DATE 11-27-08		FILE NAME 0879-2A4R-AS_PB.DWG	.X	UNIT : INCH [mm]	
			.XX	SCALE : N/A	SIZE : A4	
			.XXX	±0.004	PAGE : 6	

THE INFORMATION CONTAINED HEREIN IS CONSIDERED "PROPRIETARY" TO BEL FUSE INC. AND SHALL NOT BE COPIED, REPRODUCED OR DISCLOSED WITHOUT THE WRITTEN APPROVAL OF BEL FUSE INC.

PRELIMINARY



SUGGESTED PANEL OPENING



NOTE:

THE DISTANCE OF PANEL INSIDE SURFACE RELATIVE TO FRONT SURFACE OF PART IS ONLY A SUGGESTION. IN CASE THIS DISTANCE IS DIFFERENT, THE REQUIRED PANEL OPENING DIMENSIONS CHANGE ACCORDINGLY.

PACKING INFORMATION

PACKING TRAY : 0200-9999-Q1 (TOP)  
0200-9999-Q2 (BOTTOM)

PACKING QUANTITY : 20 PCS FINISHED GOODS PER TRAY  
7 TRAYS (140 PCS FINISHED GOODS) PER CARTON BOX

NOTE : CARDBOARDS ARE PLACED BETWEEN LAYERS OF PACKING TRAY INSIDE CARTON BOX  
(INCLUDE THE UPPERMOST AND LOWERMOST TRAY)

ORIGINATED BY ANTON LIAO	DATE 11-27-08	TITLE 2X4 10/100 MagJack® (VIOP WITH EXTENDED TEMPERATURE)	PART NO. / DRAWING NO. 0879-2A4R-AS	STANDARD DIM. TOL. IN INCH	[ ] METRIC DIM. AS REFERENCE	 COMPONENTS FOR A CONNECTED PLANET
DRAWN BY SANDY LIN	DATE 11-27-08		FILE NAME 0879-2A4R-AS_PB.DWG	.X	UNIT : INCH [mm]	
			.XX	SCALE : N/A	SIZE : A4	
			.XXX	±0.004	PAGE : 7	