

THE INFORMATION CONTAINED HEREIN IS CONSIDERED "PROPRIETARY" TO BEL FUSE INC. AND SHALL NOT BE COPIED, REPRODUCED OR DISCLOSED WITHOUT THE WRITTEN APPROVAL OF BEL FUSE INC.

LED 1 POLARITY			LED 2 POLARITY		
PIN 13	PIN 14	COLOR	PIN 11	PIN 12	COLOR
+	-	YELLOW	+	-	GREEN
			-	+	ORANGE

PRELIMINARY

RoHS
2002/95/EC



ELECTRICAL CHARACTERISTICS @ 25°C

URNS RATIO

TX 1CT : 1CT ±3%
RX 1CT : 1CT ±3%

□CL @ 100kHz/100mVRMS

8mA DC BIAS 350μH MIN.

INS. LOSS

1MHZ TO 100MHZ -1.1 dB MAX

RET. LOSS (MIN)

1MHZ-30MHZ -18 dB

60MHZ-80MHZ -12 dB

CM TO CM REJ

1MHZ - 100MHZ -35 dB TYP

CROSS TALK

1MHZ - 100MHZ -40 dB TYP

HIPOT (Isolation Voltage): 1500 Vrms

100% OF PRODUCTION TESTED TO COMPLY WITH IEEE 802.3 ISOLATION REQUIREMENTS

OPERATING TEMPERATURE: -40°C TO 85°C

LED 1

VF (FORWARD VOLTAGE) IF=20mA YELLOW 2.1V TYP.

λD (DOMINANT WAVELENGTH) IF=20mA YELLOW 590nm TYP.

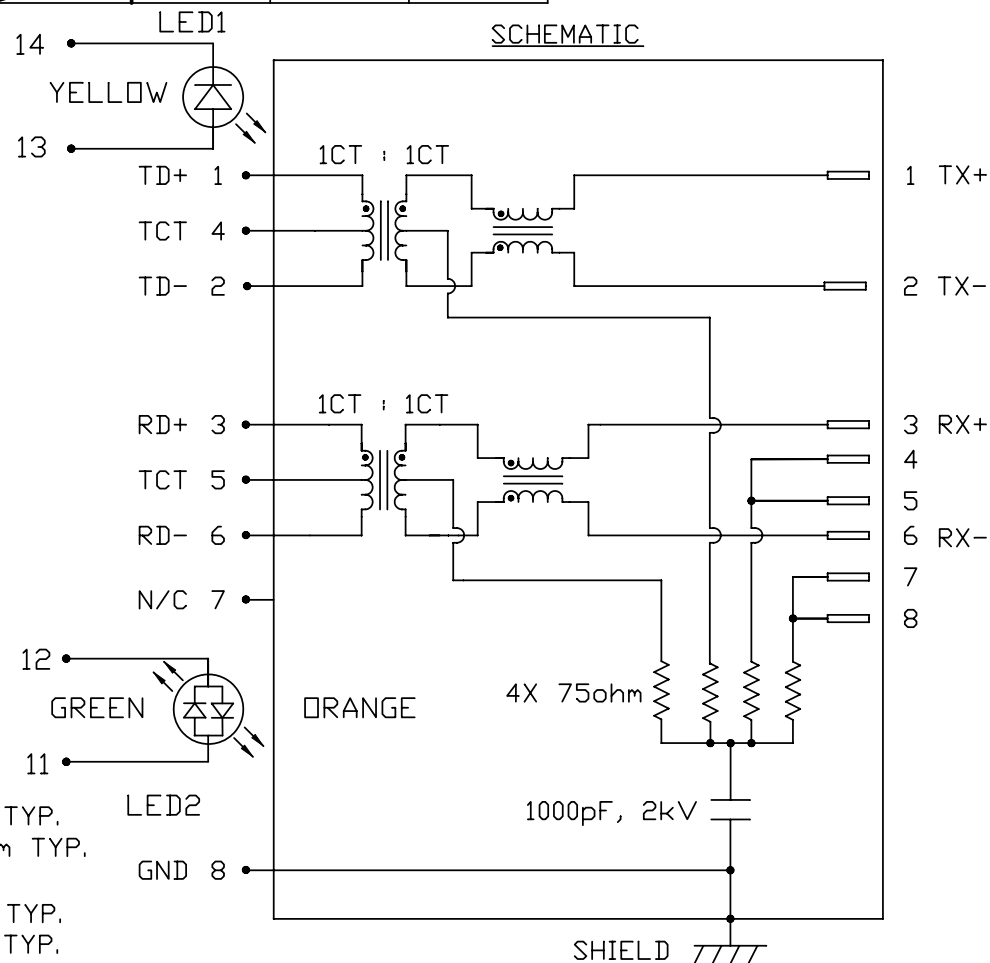
LED 2

VF (FORWARD VOLTAGE) IF=20mA GREEN 2.2V TYP.

ORANGE 2.0V TYP.

λD (DOMINANT WAVELENGTH) IF=20mA GREEN 565nm TYP.

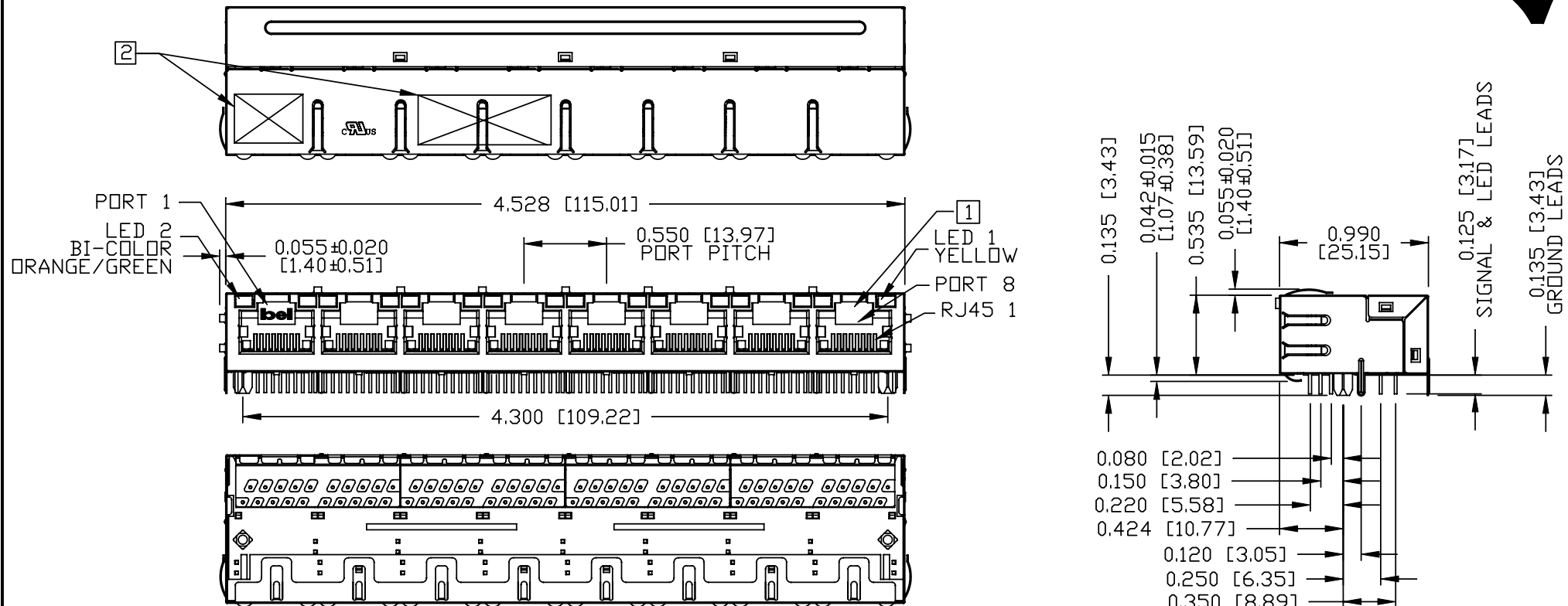
ORANGE 610nm TYP.



ORIGINATED BY CHOW WANCHUNG	DATE 12-10-10	TITLE 1X8 MagJack® (With LED) Extended temperature PATENTED	PART NO. / DRAWING NO. 0875-1X8T-V5	STANDARD DIM. TOL. IN INCH .X .XX .XXX	[] METRIC DIM. AS REFERENCE UNIT : INCH [mm] SCALE : N/A	REV. : PC SIZE : A4 PAGE : 2	
DRAWN BY TAN QIGUANG	DATE 12-10-10		FILE NAME 0875-1X8T-V5_PC.DWG				

THE INFORMATION CONTAINED HEREIN IS CONSIDERED "PROPRIETARY" TO BEL FUSE INC. AND SHALL NOT BE COPIED, REPRODUCED OR DISCLOSED WITHOUT THE WRITTEN APPROVAL OF BEL FUSE INC.

PRELIMINARY



NOTES:

PLASTIC HOUSING: THERMOPLASTIC PBT
 FLAMMABILITY RATING UL 94V-0
 CONTACT PLATING: 50 MICRO-INCH HARD GOLD PLATING
 OUTPUT PINS: TIN-COATED COPPER WIRE, DIA 0.018 INCH.
 METAL SHIELD: NICKEL PLATED ON COPPER ALLOY.
 (ALL GROUND LEADS ARE SOLDER DIPPED)
 [1.] JACK CAVITY CONFORMS TO FCC RULES AND REGULATIONS, PART 68 SUBPART F.

[2.] MARK PART WITH MFG LOGO, MFG NAME, PART NUMBER, DATE CODE AND PATENTED.

c_{UL} US UL RECOGNIZED - FILE #E196366 AND E169987.

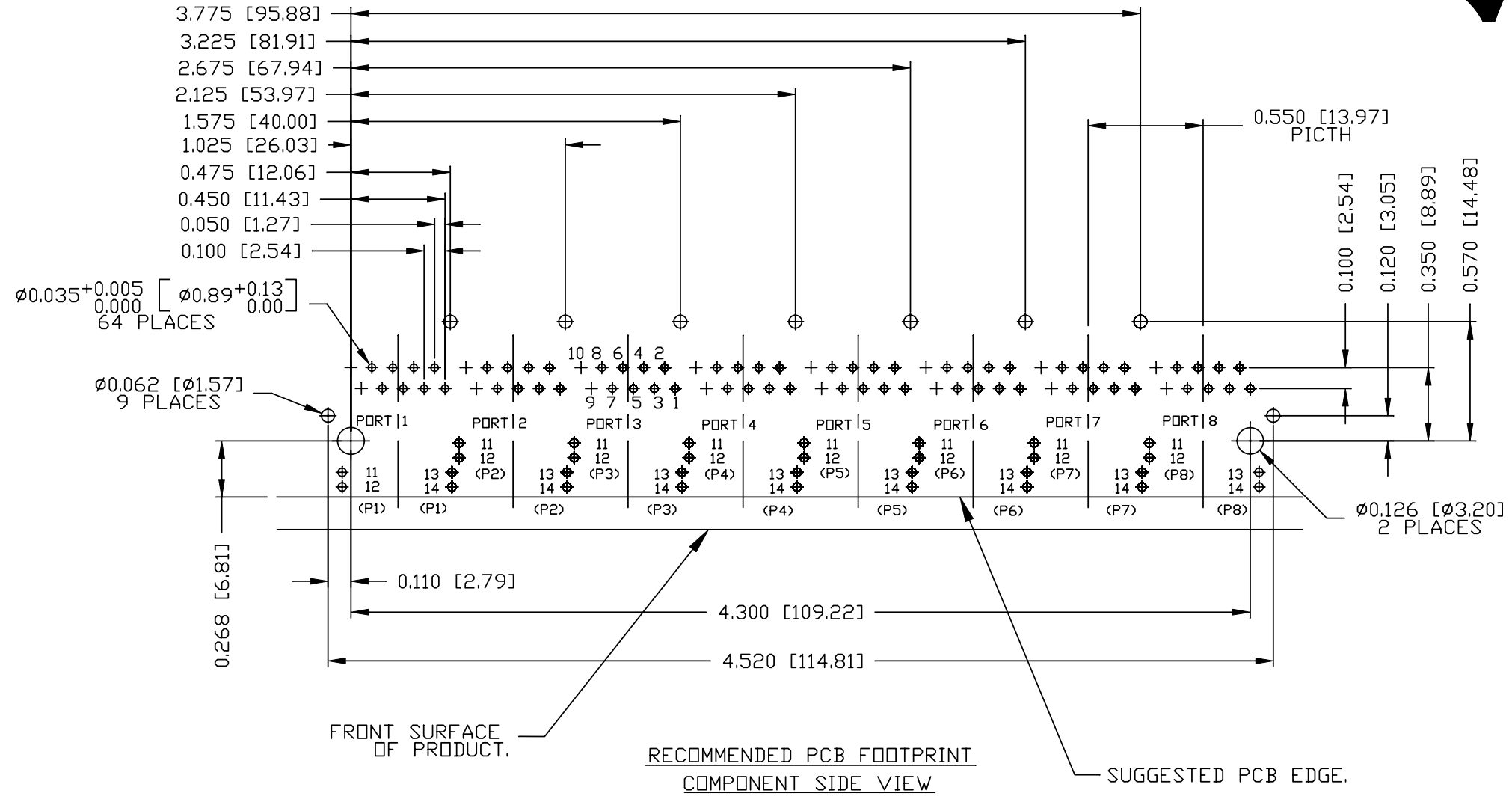
3. RoHS COMPLIANCE, PER EU DIRECTIVE 2002/95/EC.

4. THE PRODUCT IS PATENT PRODUCT. THE PATENT NUMBER ARE U.S. PAT. 5,736,910 AND U.S. PAT. 7,123,117.

ORIGINATED BY CHEN BILL	DATE 12-10-10	TITLE 1X8 MagJack® (With LED) Extended temperature PATENTED	PART NO. / DRAWING NO. 0875-1X8T-V5	STANDARD DIM. TOL. IN INCH .X .XX .XXX	[] METRIC DIM. AS REFERENCE UNIT : INCH [mm] SCALE : N/A	REV. : PC SIZE : A4 PAGE : 3	 COMPONENTS FOR A CONNECTED PLANET
DRAWN BY HE ZHEN	DATE 12-10-10	FILE NAME 0875-1X8T-V5_PC.DWG	±0.010				

THE INFORMATION CONTAINED HEREIN IS CONSIDERED 'PROPRIETARY' TO BEL FUSE INC. AND SHALL NOT BE COPIED, REPRODUCED OR DISCLOSED WITHOUT THE WRITTEN APPROVAL OF BEL FUSE INC.

PRELIMINARY



FRONT SURFACE OF PRODUCT.

RECOMMENDED PCB FOOTPRINT COMPONENT SIDE VIEW

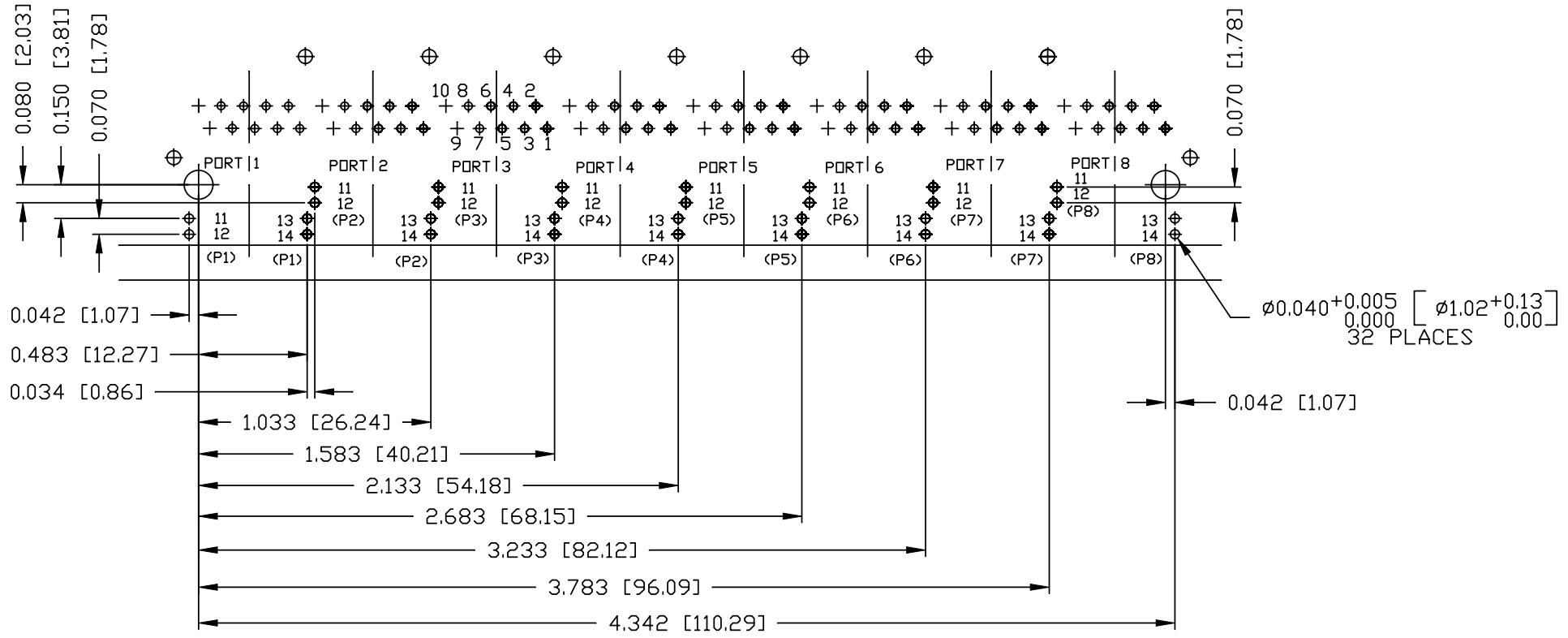
SUGGESTED PCB EDGE.

ORIGINATED BY CHEN BILL	DATE 12-10-10	TITLE 1X8 MagJack® (With LED) Extended temperature PATENTED	PART NO. / DRAWING NO. 0875-1X8T-V5	STANDARD DIM. TOL. IN INCH	[] METRIC DIM. AS REFERENCE	
			FILE NAME 0875-1X8T-V5_PC.DWG	.X .XX .XXX	UNIT : INCH [mm] SCALE : N/A ⊕	REV. : PC SIZE : A4 PAGE : 4



THE INFORMATION CONTAINED HEREIN IS CONSIDERED 'PROPRIETARY' TO BEL FUSE INC. AND SHALL NOT BE COPIED, REPRODUCED OR DISCLOSED WITHOUT THE WRITTEN APPROVAL OF BEL FUSE INC.

PRELIMINARY



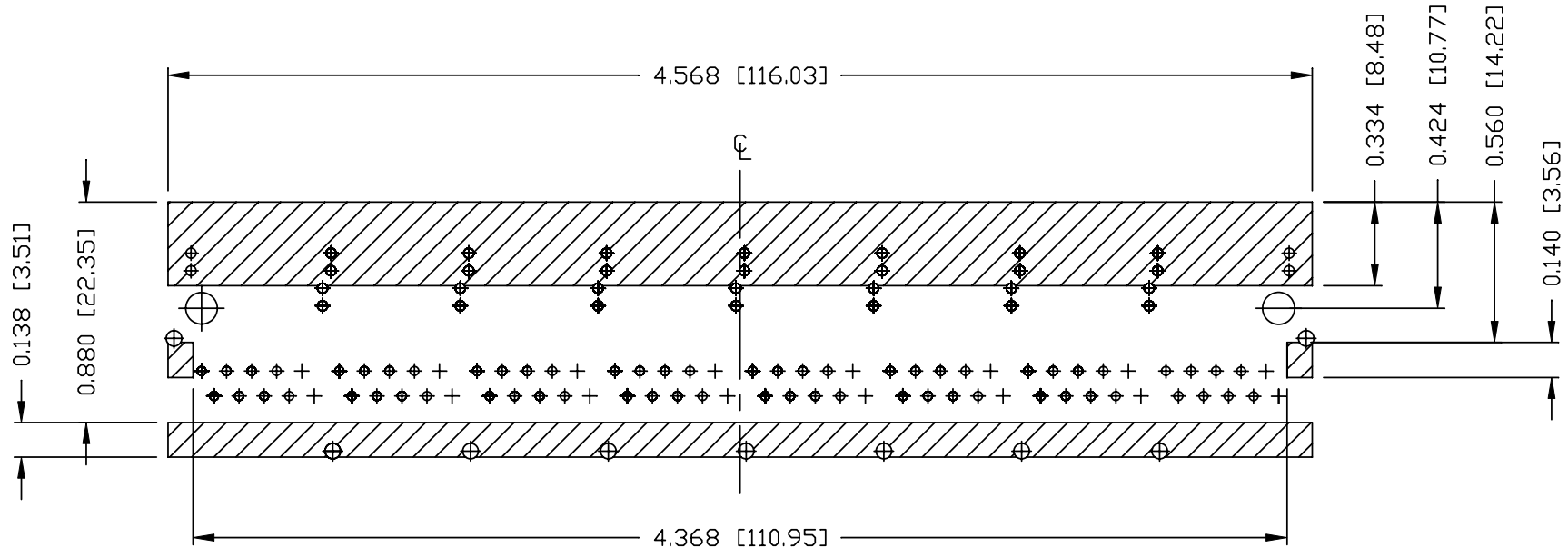
RECOMMENDED PCB FOOTPRINT
COMPONENT SIDE VIEW

ORIGINATED BY CHEN BILL	DATE 12-10-10	TITLE 1X8 MagJack® (With LED) Extended temperature PATENTED	PART NO. / DRAWING NO. 0875-1X8T-V5		STANDARD DIM. TOL. IN INCH		[] METRIC DIM. AS REFERENCE	
			FILE NAME 0875-1X8T-V5_PC.DWG		.X .XX .XXX	∅0.004	UNIT : INCH [mm] SCALE : N/A	REV. : PC SIZE : A4 PAGE : 5



THE INFORMATION CONTAINED HEREIN IS CONSIDERED "PROPRIETARY" TO BEL FUSE INC. AND SHALL NOT BE COPIED, REPRODUCED OR DISCLOSED WITHOUT THE WRITTEN APPROVAL OF BEL FUSE INC.

PRELIMINARY



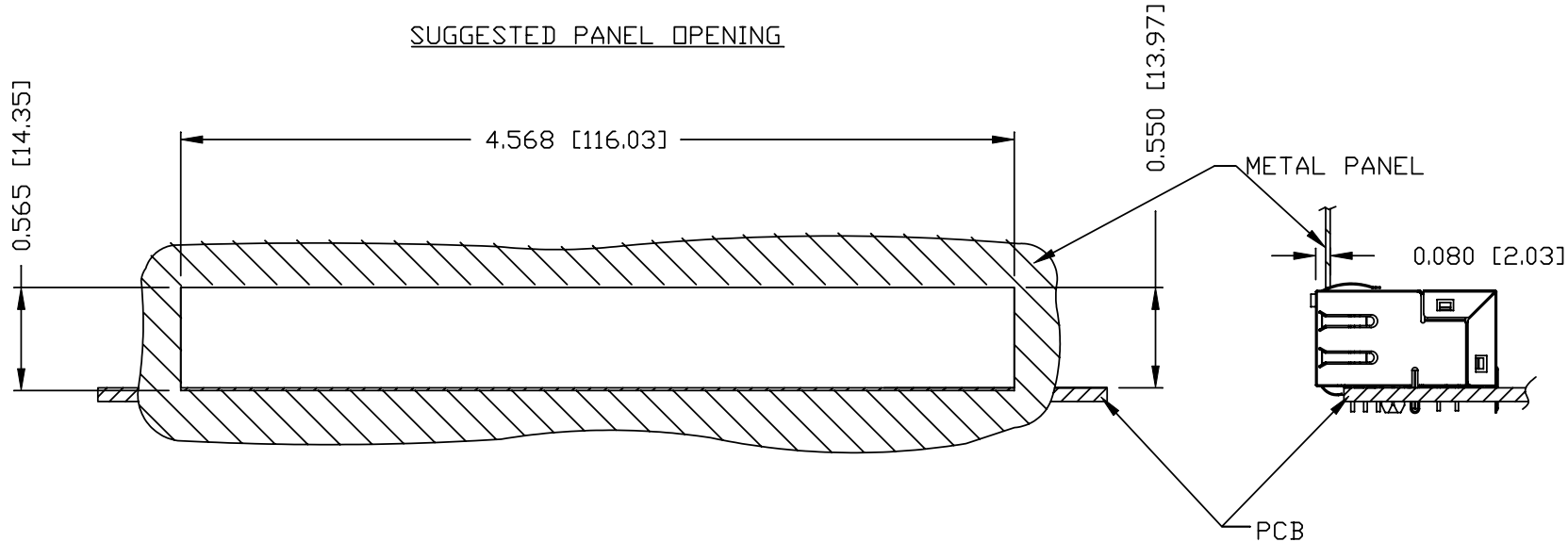
NOTE:

THE SHADED AREA ON THE CUSTOMER BOARD ARE RECOMMENDED TO BE CLEAR OFF ANY VIA HOLE OR COMPONENT PAD.

ORIGINATED BY CHEN BILL	DATE 12-10-10	TITLE 1X8 MagJack® (With LED) Extended temperature PATENTED	PART NO. / DRAWING NO. 0875-1X8T-V5	STANDARD DIM. TOL. IN INCH	[] METRIC DIM. AS REFERENCE	bel COMPONENTS FOR A CONNECTED PLANET
	DRAWN BY HE ZHEN		DATE 12-10-10	FILE NAME 0875-1X8T-V5_PC.DWG	.X .XX .XXX	

THE INFORMATION CONTAINED HEREIN IS CONSIDERED "PROPRIETARY" TO BEL FUSE INC. AND SHALL NOT BE COPIED, REPRODUCED OR DISCLOSED WITHOUT THE WRITTEN APPROVAL OF BEL FUSE INC.

PRELIMINARY



NOTE:

THE DISTANCE OF PANEL INSIDE SURFACE RELATIVE TO FRONT SURFACE OF PART IS ONLY A SUGGESTION. IN CASE THIS DISTANCE IS DIFFERENT, THE REQUIRED PANEL OPENING DIMENSIONS CHANGE ACCORDINGLY.

PACKING INFORMATION

PACKING TRAY : 0200-9999-L7 (TOP)
0200-9999-L8 (BOTTOM)

PACKING QUANTITY : 14 PCS FINISHED GOODS PER TRAY.
8 TRAYS (112 PCS FINISHED GOODS) PER CARTON BOX.

REMARK : CARDBOARDS ARE PLACED BETWEEN LAYERS OF PACKING TRAY INSIDE CARTON BOX.
(INCLUDE THE UPPERMOST AND LOWERMOST TRAY)

ORIGINATED BY CHEN BILL	DATE 12-10-10	TITLE 1X8 MagJack® (With LED) Extended temperature PATENTED	PART NO. / DRAWING NO. 0875-1X8T-V5	STANDARD DIM.		[] METRIC DIM. AS REFERENCE		 COMPONENTS FOR A CONNECTED PLANET
DRAWN BY HE ZHEN	DATE 12-10-10		FILE NAME 0875-1X8T-V5_PC.DWG	TOL. IN INCH		UNIT : INCH [mm]	REV. : PC	
			.X		SCALE : N/A	SIZE : A4		
			.XX					
			.XXX	±0.004			PAGE : 7	