

THE INFORMATION CONTAINED HEREIN IS CONSIDERED "PROPRIETARY" TO BEL FUSE INC. AND SHALL NOT BE COPIED, REPRODUCED OR DISCLOSED WITHOUT THE WRITTEN APPROVAL OF BEL FUSE INC.

LED 1 POLARITY			LED 2 POLARITY		
PIN 13	PIN 14	COLOR	PIN 11	PIN 12	COLOR
+	-	YELLOW	+	-	GREEN
/	/	/	-	+	ORANGE

PRELIMINARY



**ELECTRICAL CHARACTERISTICS @ 25°C**

**URNS RATIO**

TP1	1CT : 1CT ±2%
TP2	1CT : 1CT ±2%
TP3	1CT : 1CT ±2%
TP4	1CT : 1CT ±2%

**OCL @ 100kHz/100mVRMS**

8mA DC BIAS	350µH MIN.
-------------	------------

**INS. LOSS**

1MHz TO 100MHz	-1.0 dB MAX
----------------	-------------

**RET. LOSS (MIN)**

0.5MHz-40MHz	-18 dB
40MHz-100MHz	-12+20LOG(f/80MHz) dB

**Cross Talk**

Ch1-Ch2, Ch2-Ch3, Ch3-Ch4, Ch4-Ch1, Ch2-Ch4, Ch3-Ch1	
1MHz - 30MHz	-35dB MIN
30MHz - 80MHz	-24dB MIN
80MHz - 100MHz	-25dB MIN

**CM TO CM REJ**

100kHz - 100MHz	-30 dB MIN
-----------------	------------

**CM TO DM REJ**

100kHz - 100MHz	-35 dB MIN
-----------------	------------

**HIPOT (Isolation Voltage):**

1500 Vrms

100% OF PRODUCTION TESTED TO COMPLY WITH IEEE 802.3 ISOLATION REQUIREMENTS.

**LED 1**

VF (FORWARD VOLTAGE) IF=20mA YELLOW 2.1V TYP.

λD (DOMINANT WAVELENGTH) IF=20mA YELLOW 590nm TYP.

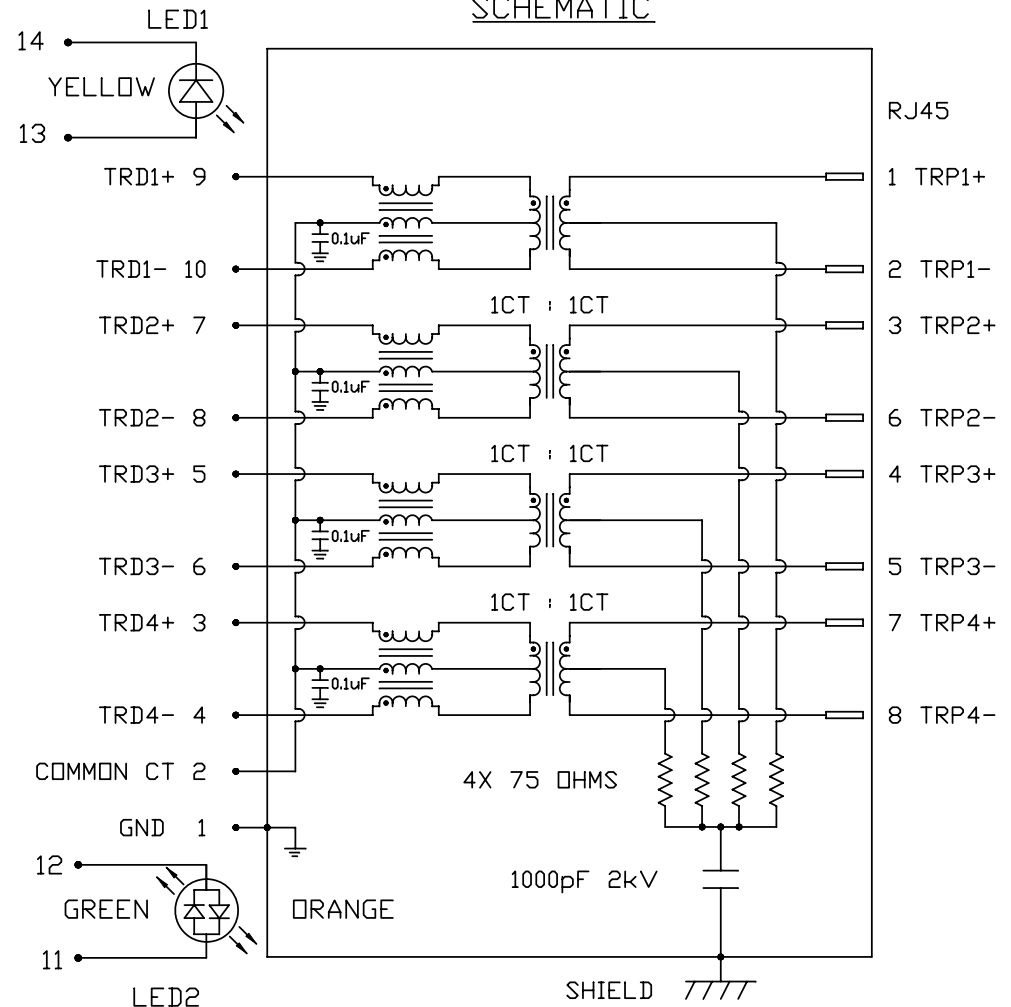
**LED 2**

VF (FORWARD VOLTAGE) IF=20mA GREEN 2.2V TYP.

ORANGE 2.0V TYP.

λD (DOMINANT WAVELENGTH) IF=20mA GREEN 565nm TYP.

ORANGE 610nm TYP.



<b>ORIGINATED BY</b>	<b>DATE</b>
CHOW WANCHUNG	12-10-10
<b>DRAWN BY</b>	<b>DATE</b>
TAN QIGUANG	12-10-10

<b>TITLE</b>
1X8 gigabit MagJack® (WITH LED) PATENTED

<b>PART NO. / DRAWING NO.</b>
0875-1X8T-G4
<b>FILE NAME</b>
0875-1X8T-G4_PE.DWG

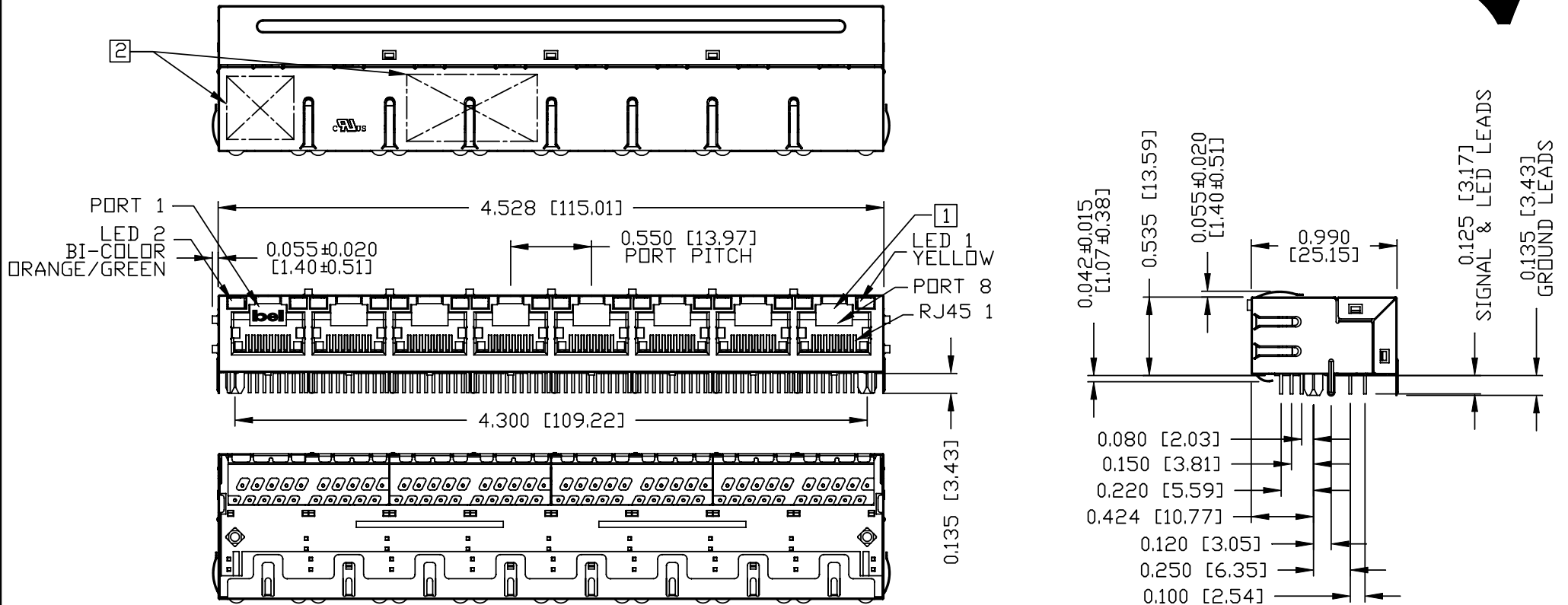
<b>STANDARD DIM.</b>
TOL. IN INCH
.X
.XX
.XXX

[ ] METRIC DIM. AS REFERENCE
UNIT : INCH [mm]
SCALE : N/A
REV. : PE
SIZE : A4
PAGE : 2



THE INFORMATION CONTAINED HEREIN IS CONSIDERED "PROPRIETARY" TO BEL FUSE INC. AND SHALL NOT BE COPIED, REPRODUCED OR DISCLOSED WITHOUT THE WRITTEN APPROVAL OF BEL FUSE INC.

PRELIMINARY



NOTES:

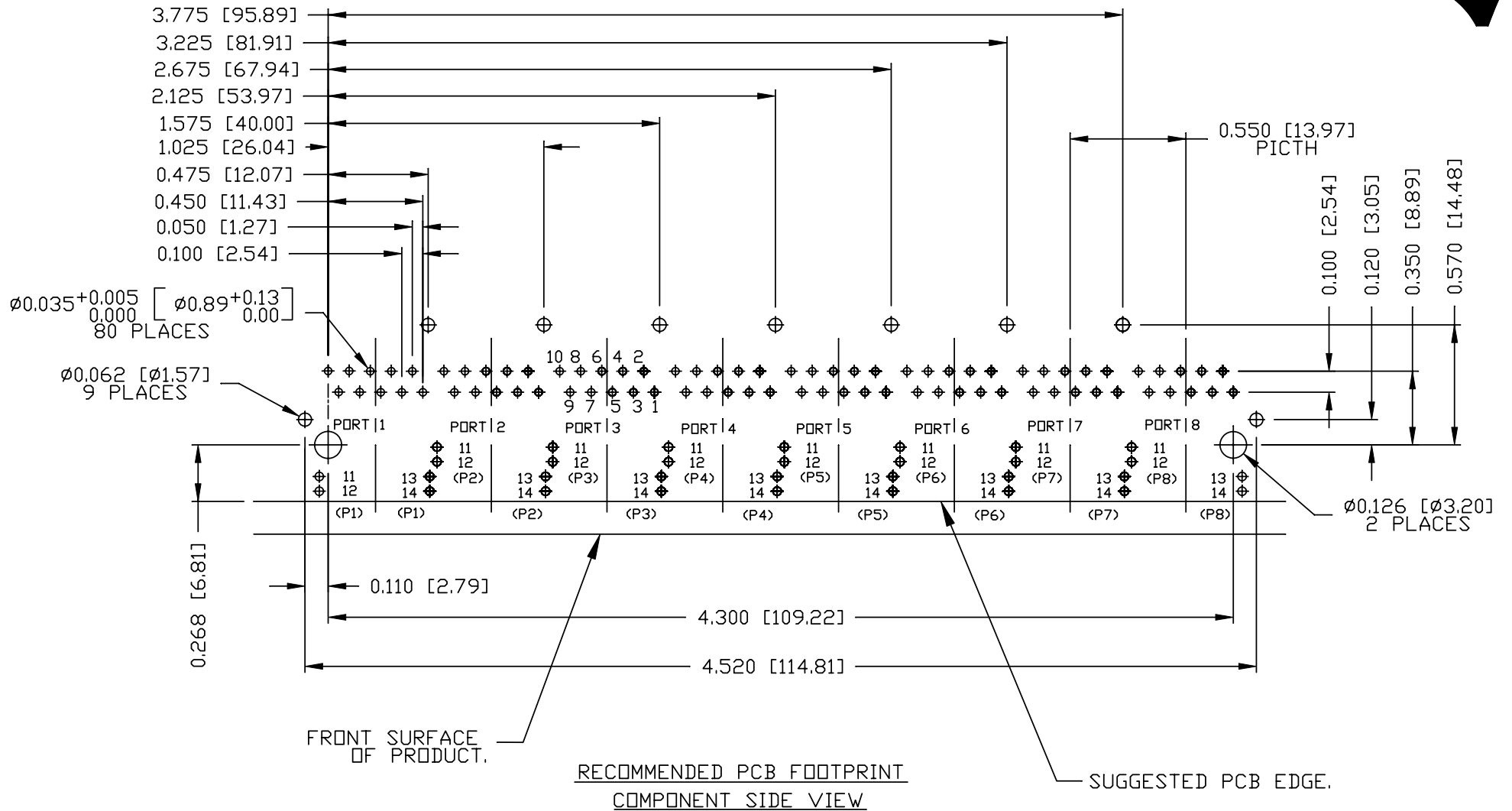
PLASTIC HOUSING: THERMOPLASTIC PBT  
 FLAMMABILITY RATING UL 94V-0  
 CONTACT PLATING: 50 MICRO-INCH HARD GOLD PLATING  
 OUTPUT PINS: TIN-COATED COPPER WIRE, DIA 0.018 INCH.  
 METAL SHIELD: NICKEL PLATED ON COPPER ALLOY.  
 (ALL GROUND LEADS ARE SOLDER DIPPED)  
 [1.] JACK CAVITY CONFORMS TO FCC RULES AND REGULATIONS, PART 68 SUBPART F.

[2.] MARK PART WITH MFG LOGO, MFG NAME, PART NUMBER, DATE CODE AND PATENTED.  
 cULus UL RECOGNIZED - FILE #E196366 AND E169987.  
 3. RoHS COMPLIANCE, PER EU DIRECTIVE 2002/95/EC.  
 4. THE PRODUCT IS PATENT PRODUCT. THE PATENT NUMBER ARE U.S. PAT. 5,736,910 AND U.S. PAT. 7,123,117.

ORIGINATED BY CHEN BILL	DATE 12-10-10	TITLE 1X8 gigabit MagJack® (WITH LED) PATENTED	PART NO. / DRAWING NO. 0875-1X8T-G4	STANDARD DIM. TOL. IN INCH	[ ] METRIC DIM. AS REFERENCE	<p>COMPONENTS FOR A CONNECTED PLANET</p>
DRAWN BY HE ZHEN	DATE 12-10-10	FILE NAME 0875-1X8T-G4_PE.DWG	.X	UNIT : INCH [mm]	REV. : PE	
			.XX	SCALE : N/A	SIZE : A4	
			.XXX	±0.010	PAGE : 3	

THE INFORMATION CONTAINED HEREIN IS CONSIDERED "PROPRIETARY" TO BEL FUSE INC. AND SHALL NOT BE COPIED, REPRODUCED OR DISCLOSED WITHOUT THE WRITTEN APPROVAL OF BEL FUSE INC.

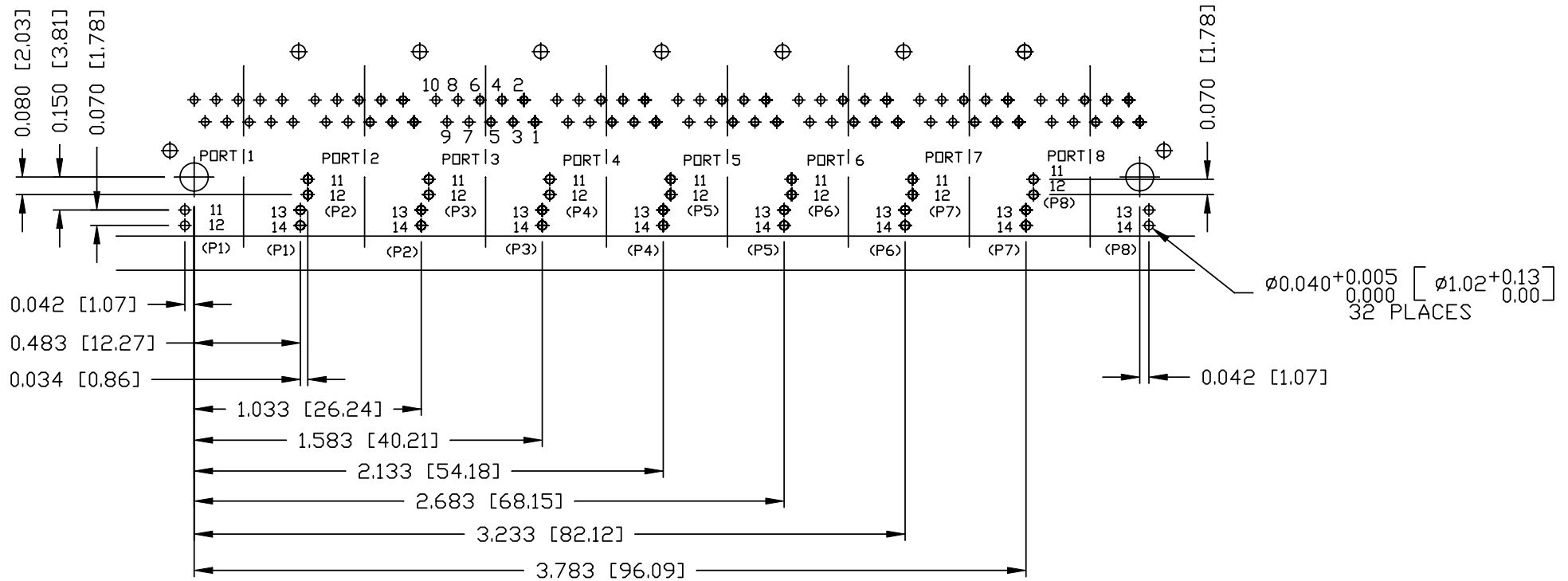
PRELIMINARY



ORIGINATED BY CHEN BILL	DATE 12-10-10	TITLE 1X8 gigabit MagJack® (WITH LED) PATENTED	PART NO. / DRAWING NO. 0875-1X8T-G4	STANDARD DIM. TOL. IN INCH	[ ] METRIC DIM. AS REFERENCE	bel COMPONENTS FOR A CONNECTED PLANET
DRAWN BY HE ZHEN	DATE 12-10-10		FILE NAME 0875-1X8T-G4_PE.DWG	.X .XX .XXX	UNIT : INCH [mm] SCALE : N/A	

THE INFORMATION CONTAINED HEREIN IS CONSIDERED "PROPRIETARY" TO BEL FUSE INC. AND SHALL NOT BE COPIED, REPRODUCED OR DISCLOSED WITHOUT THE WRITTEN APPROVAL OF BEL FUSE INC.

PRELIMINARY

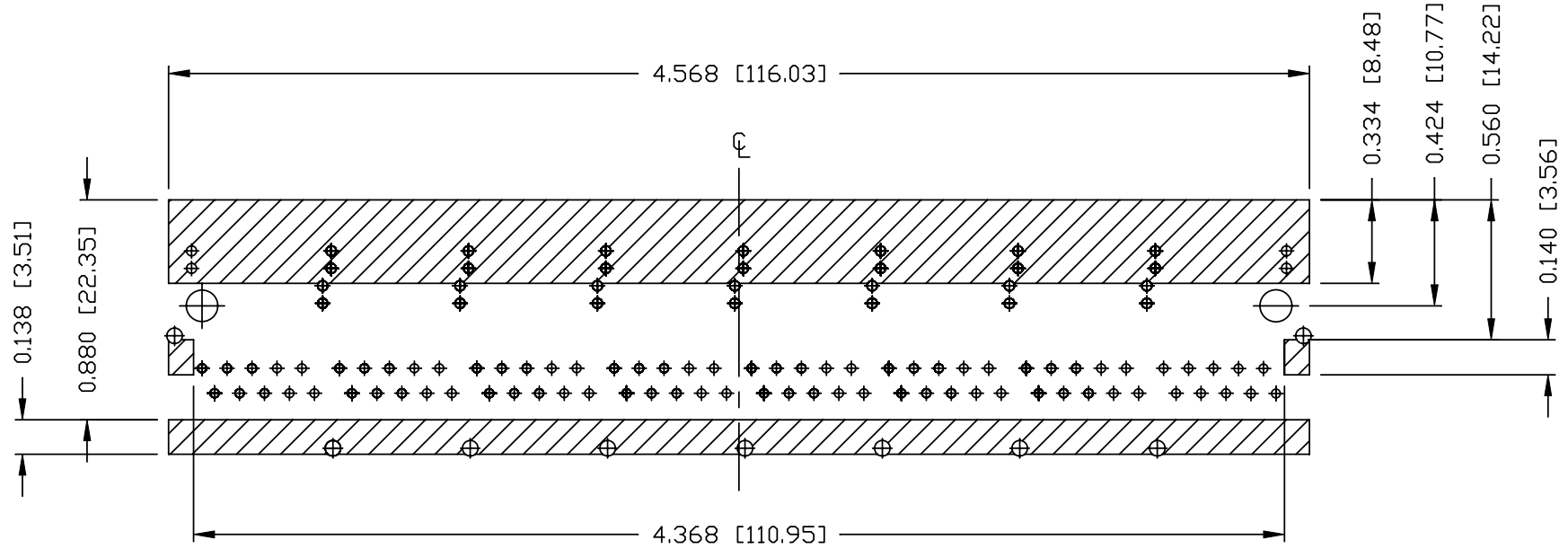


RECOMMENDED PCB FOOTPRINT  
COMPONENT SIDE VIEW

ORIGINATED BY CHEN BILL	DATE 12-10-10	TITLE 1X8 gigabit MagJack® (WITH LED) PATENTED	PART NO. / DRAWING NO. 0875-1X8T-G4	STANDARD DIM. TOL. IN INCH	[ ] METRIC DIM. AS REFERENCE	bel COMPONENTS FOR A CONNECTED PLANET
DRAWN BY HE ZHEN	DATE 12-10-10		FILE NAME 0875-1X8T-G4_PE.DWG	.X .XX .XXX	UNIT : INCH [mm] SCALE : N/A ±0.004	

THE INFORMATION CONTAINED HEREIN IS CONSIDERED 'PROPRIETARY' TO BEL FUSE INC. AND SHALL NOT BE COPIED, REPRODUCED OR DISCLOSED WITHOUT THE WRITTEN APPROVAL OF BEL FUSE INC.

PRELIMINARY

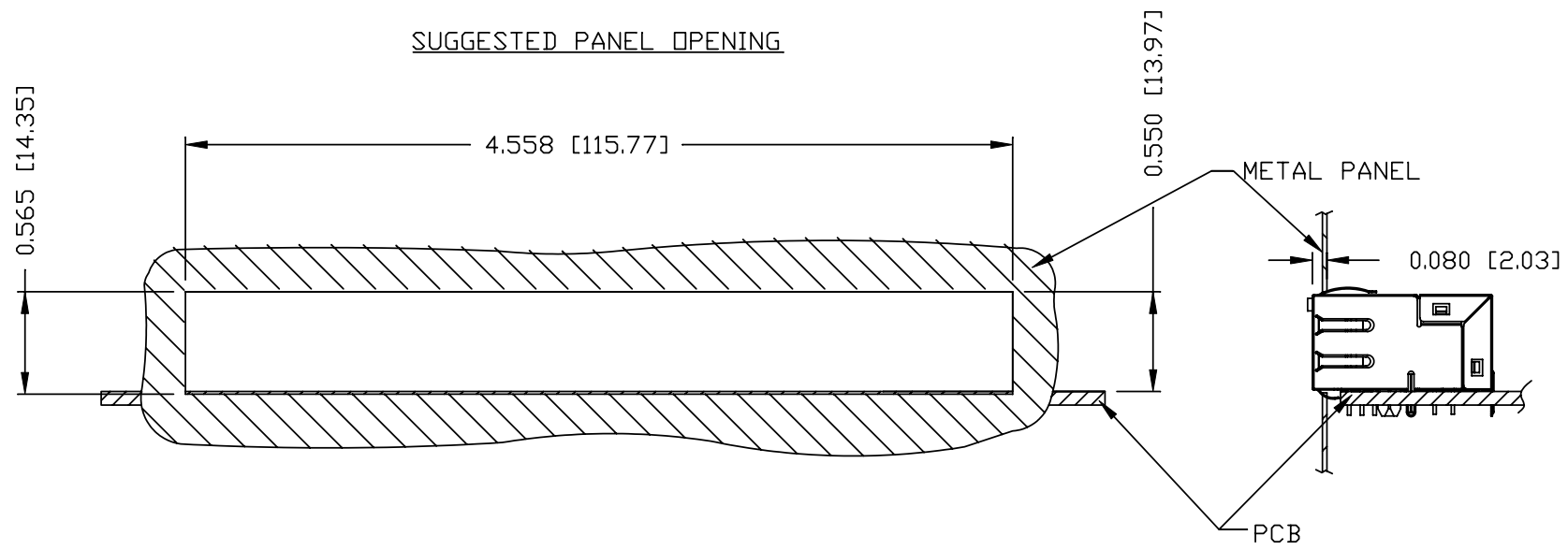


**NOTE:**  
THE SHADED AREA ON THE CUSTOMER BOARD ARE RECOMMENDED TO BE CLEAR OFF ANY VIA HOLE OR COMPONENT PAD.

<b>ORIGINATED BY</b> CHEN BILL	<b>DATE</b> 12-10-10	<b>TITLE</b> 1X8 gigabit MagJack® (WITH LED) PATENTED	<b>PART NO. / DRAWING NO.</b> 0875-1X8T-G4	<b>STANDARD DIM. TOL. IN INCH</b> .X .XX .XXX ±0.004	<b>[ ] METRIC DIM. AS REFERENCE</b>		 COMPONENTS FOR A CONNECTED PLANET
<b>DRAWN BY</b> HE ZHEN	<b>DATE</b> 12-10-10		<b>FILE NAME</b> 0875-1X8T-G4_PE.DWG		UNIT : INCH [mm]	REV. : PE	
				SCALE : N/A	SIZE : A4	PAGE : 6	

THE INFORMATION CONTAINED HEREIN IS CONSIDERED "PROPRIETARY" TO BEL FUSE INC. AND SHALL NOT BE COPIED, REPRODUCED OR DISCLOSED WITHOUT THE WRITTEN APPROVAL OF BEL FUSE INC.

PRELIMINARY



**NOTE:**

THE DISTANCE OF PANEL INSIDE SURFACE RELATIVE TO FRONT SURFACE OF PART IS ONLY A SUGGESTION. IN CASE THIS DISTANCE IS DIFFERENT, THE REQUIRED PANEL OPENING DIMENSIONS CHANGE ACCORDINGLY.

**PACKING INFORMATION**

PACKING TRAY : 0200-9999-L7 (TOP)  
0200-9999-L8 (BOTTOM)

PACKING QUANTITY : 14 PCS FINISHED GOODS PER TRAY.  
8 TRAYS (112 PCS FINISHED GOODS) PER CARTON BOX.

REMARK : CARDBOARDS ARE PLACED BETWEEN LAYERS OF PACKING TRAY INSIDE CARTON BOX.  
(INCLUDE THE UPPERMOST AND LOWERMOST TRAY)

<b>ORIGINATED BY</b> CHEN BILL	<b>DATE</b> 12-10-10	<b>TITLE</b> 1X8 gigabit MagJack® (WITH LED) PATENTED	<b>PART NO. / DRAWING NO.</b> 0875-1X8T-G4	<b>STANDARD DIM. TOL. IN INCH</b>		<b>[ ] METRIC DIM. AS REFERENCE</b>		 COMPONENTS FOR A CONNECTED PLANET
<b>DRAWN BY</b> HE ZHEN	<b>DATE</b> 12-10-10		<b>FILE NAME</b> 0875-1X8T-G4_PE.DWG	.X		UNIT : INCH [mm]	REV. : PE	
			.XX		SCALE : N/A	SIZE : A4		
			.XXX	±0.004		PAGE : 7		