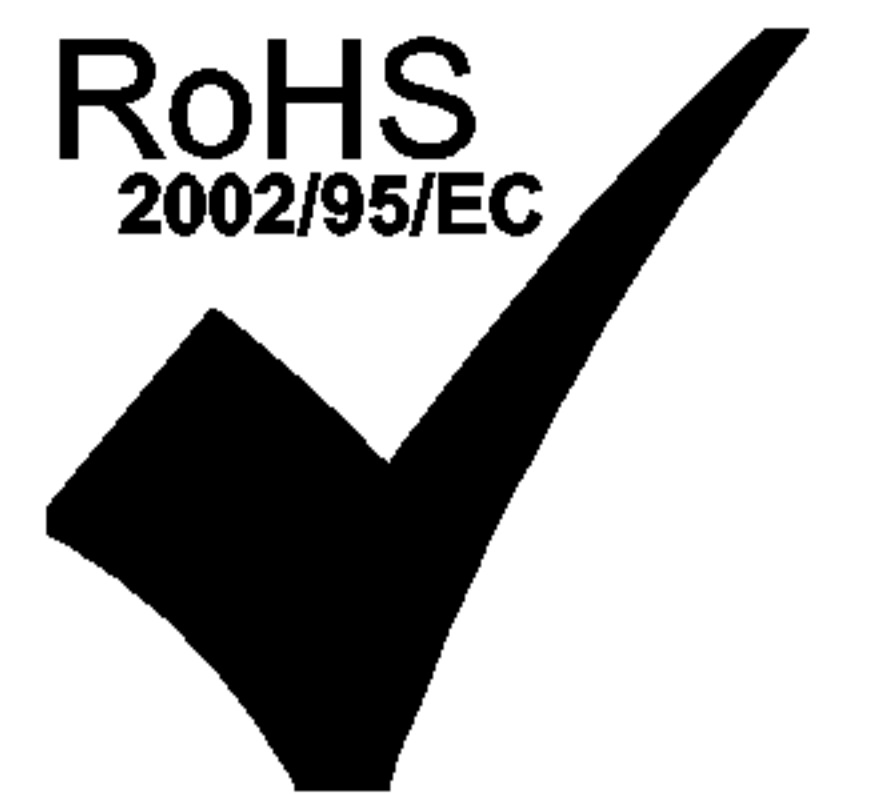


THE INFORMATION CONTAINED HEREIN IS CONSIDERED "PROPRIETARY" TO BEL FUSE INC. AND SHALL NOT BE COPIED, REPRODUCED OR DISCLOSED WITHOUT THE WRITTEN APPROVAL OF BEL FUSE INC.

LED 1 POLARITY			LED 2 POLARITY		
PIN 13	PIN 14	COLOR	PIN 11	PIN 12	COLOR
+	-	YELLOW	+	-	GREEN
			-	+	ORANGE

PRELIMINARY



ELECTRICAL CHARACTERISTICS @ 25°C

URNS RATIO

TP1	1CT : 1CT ±2%
TP2	1CT : 1CT ±2%
TP3	1CT : 1CT ±2%
TP4	1CT : 1CT ±2%

□CL @ 100kHz/100mVRMS

8mA DC BIAS 350µH MIN.

INS. LOSS

100kHz TO 100MHz -1.1 dB MAX

RET. LOSS (MIN)

0.5MHz-40MHz -18 dB
40MHz-100MHz -12+20LOG(f/80MHz) dB

CROSS TALK:

1MHz - 60MHz -35 dB MIN
60MHz - 100MHz -25 dB MIN

CM TO CM REJ

100kHz - 100MHz -30 dB MIN

CM TO DM REJ

100kHz - 100MHz -35 dB MIN

HIPOT (Isolation Voltage): 1500 Vrms

100% OF PRODUCTION TESTED TO COMPLY WITH IEEE 802.3 ISOLATION REQUIREMENTS.

LED 1

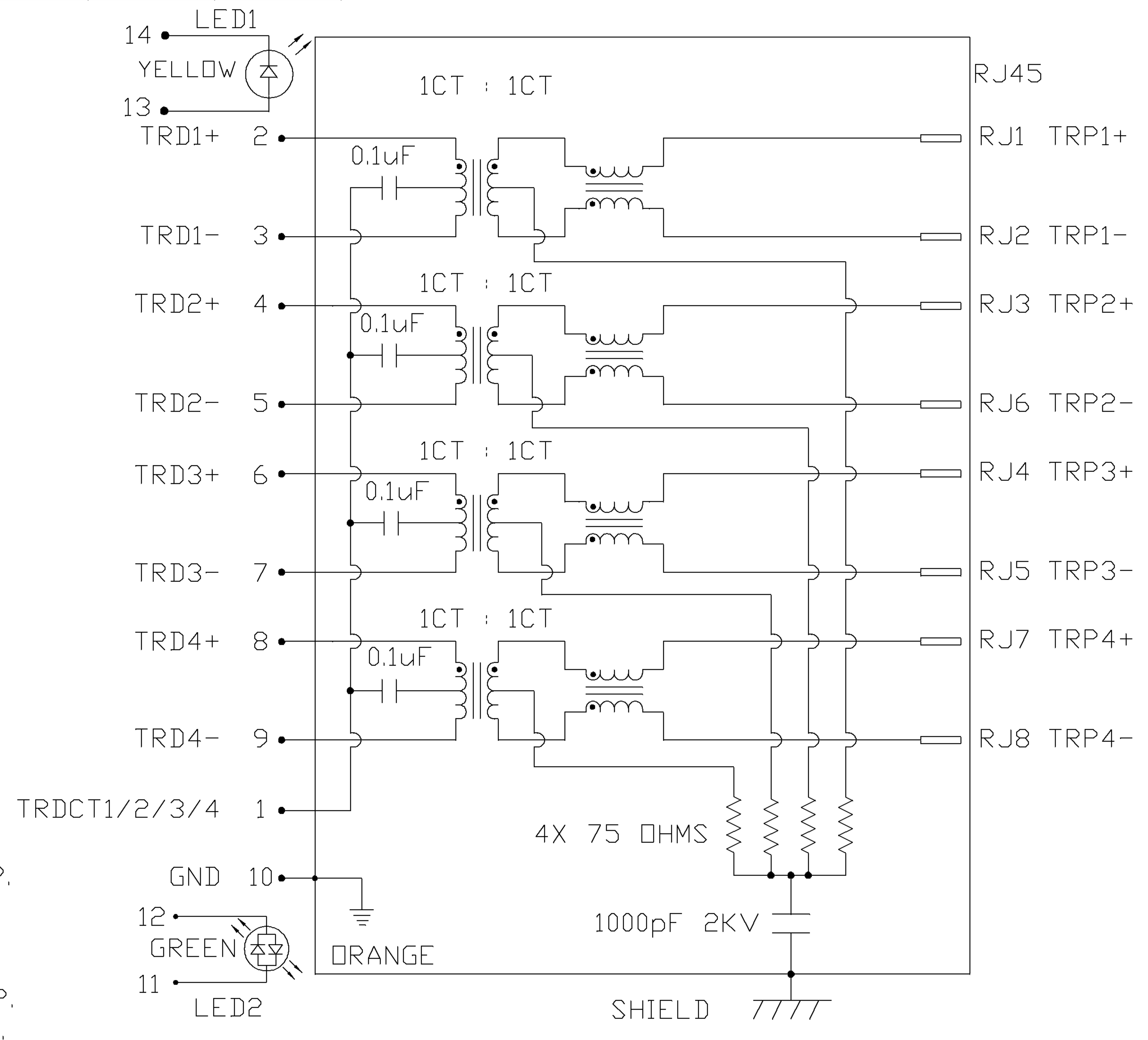
VF (FORWARD VOLTAGE) IF=20mA YELLOW 2.1V TYP.

λD (DOMINANT WAVELENGTH) IF=20mA YELLOW 590nm TYP.

LED 2

VF (FORWARD VOLTAGE) IF=20mA GREEN 2.2V TYP.
ORANGE 2.0V TYP.

λD (DOMINANT WAVELENGTH) IF=20mA GREEN 565nm TYP.
ORANGE 610nm TYP.

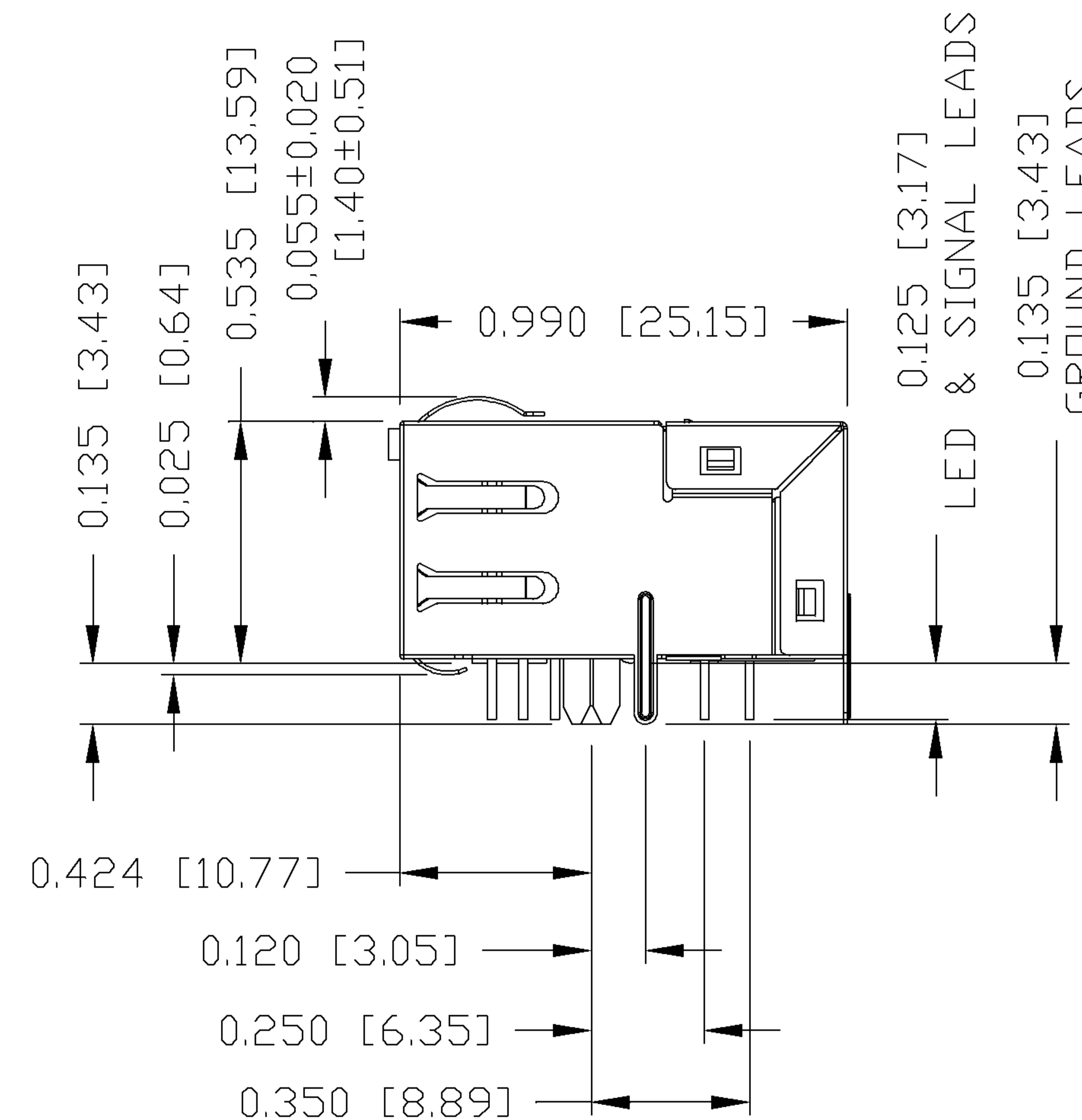
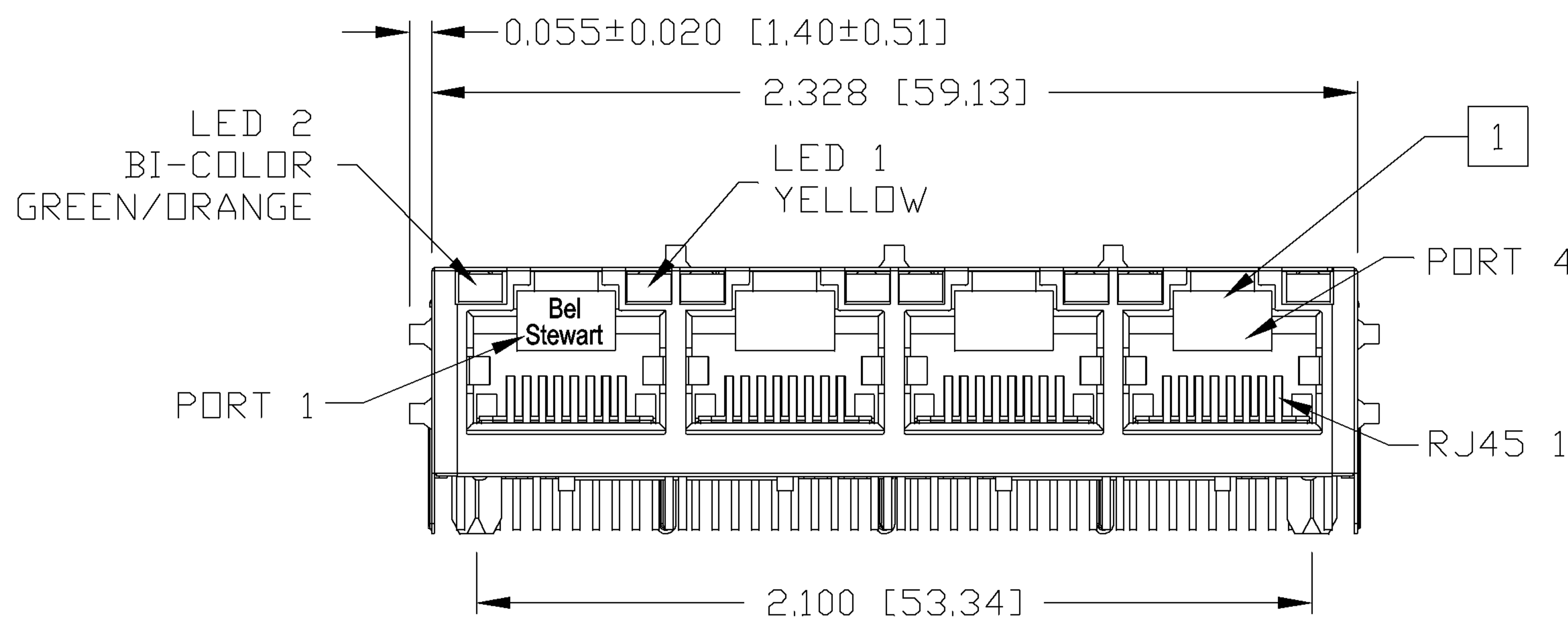
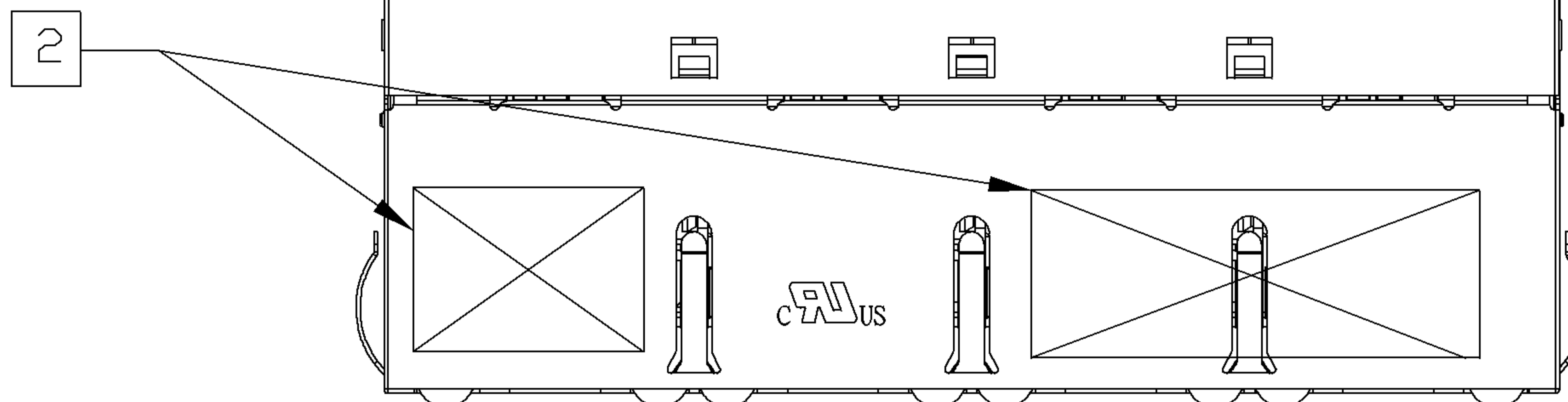


ORIGINATED BY CHOW WC	DATE 12-05-07	TITLE 1X4 gigabit MagJack® (WITH LED)	PART NO. / DRAWING NO. 0875-1X4T-DJ	STANDARD DIM. TOL. IN INCH .X .XX .XXX	[] METRIC DIM. AS REFERENCE UNIT : INCH [mm] SCALE : N/A PAGE : 2	REV. : PA SIZE : A4	 COMPONENTS FOR A CONNECTED PLANET
DRAWN BY LEE WEIDE	DATE 12-05-07	FILE NAME 0875-1X4T-DJ_PA.DWG					

THE INFORMATION CONTAINED HEREIN IS CONSIDERED "PROPRIETARY" TO BEL FUSE INC. AND SHALL NOT BE COPIED, REPRODUCED OR DISCLOSED WITHOUT THE WRITTEN APPROVAL OF BEL FUSE INC.

RoHS
2002/95/EC

PRELIMINARY



NOTES:

PLASTIC HOUSING: THERMOPLASTIC PBT
FLAMMABILITY RATING UL 94V-0
CONTACTS PLATING: 50 MICRO-INCH HARD GOLD PLATING
PINS: TIN-COATED COPPER WIRE, DIA 0.018 INCH.
METAL SHIELD: NICKEL PLATED ON COPPER ALLOY.
(ALL GROUND LEADS ARE SOLDER DIPPED)

- [1] JACK CAVITY CONFORMS TO FCC RULES AND REGULATIONS.
 - [2] MARK PART WITH MFG LOGO, MFG NAME, PART NUMBER AND DATE CODE.
- RoHS COMPLIANT, PER EU DIRECTIVE 2002/95/EC.

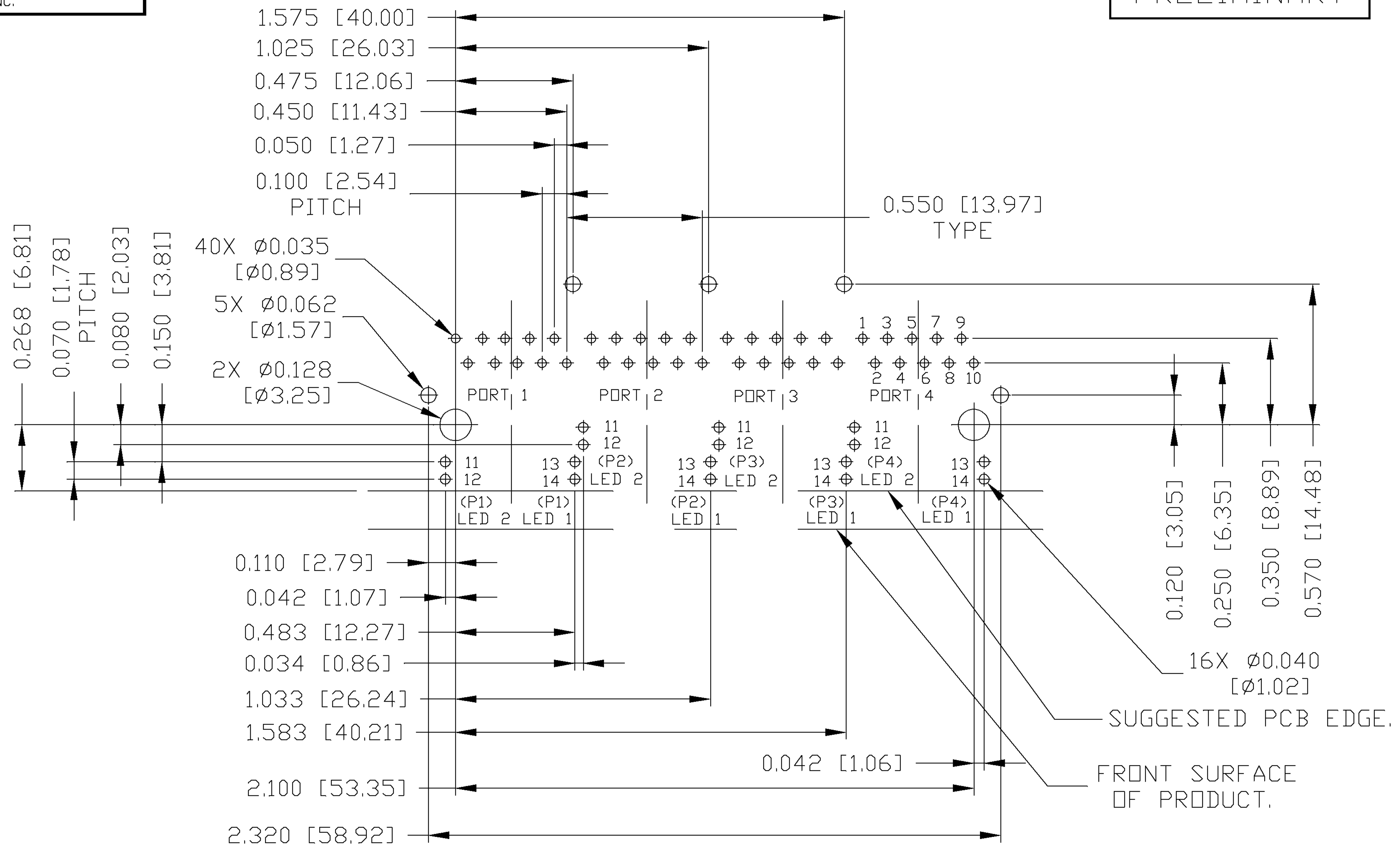
UL RECOGNIZED - FILE #E196366 AND E169987.

ORIGINATED BY LIU QIN	DATE 12-05-07	TITLE 1X4 gigabit MagJack® (WITH LED)	PART NO. / DRAWING NO. 0875-1X4T-DJ	STANDARD DIM. TOL. IN INCH	[] METRIC DIM. AS REFERENCE	
DRAWN BY CHEN TING	DATE 12-05-07		FILE NAME 0875-1X4T-DJ_PA.DWG	.X .XX .XXX	UNIT : INCH [mm] SCALE : N/A	REV. : PA SIZE : A4 PAGE : 3
				±0.010		



THE INFORMATION CONTAINED HEREIN IS CONSIDERED "PROPRIETARY" TO BEL FUSE INC. AND SHALL NOT BE COPIED, REPRODUCED OR DISCLOSED WITHOUT THE WRITTEN APPROVAL OF BEL FUSE INC.

PRELIMINARY



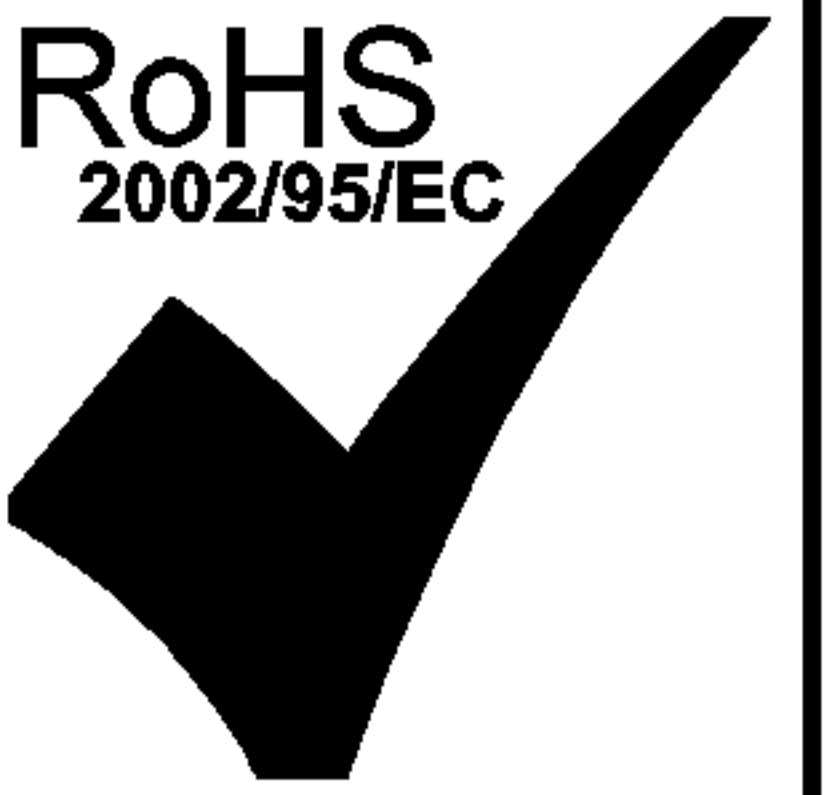
RECOMMENDED PCB FOOTPRINT
COMPONENT SIDE VIEW

ORIGINATED BY LIU QIN	DATE 12-05-07	TITLE 1X4 gigabit MagJack® (WITH LED)	PART NO. / DRAWING NO. 0875-1X4T-DJ	STANDARD DIM. TOL. IN INCH	[] METRIC DIM. AS REFERENCE	
DRAWN BY CHEN TING	DATE 12-05-07		FILE NAME 0875-1X4T-DJ_PA.DWG	.X .XX .XXX	±0.004	UNIT : INCH [mm]
					SCALE : N/A	SIZE : A4
					PAGE : 4	

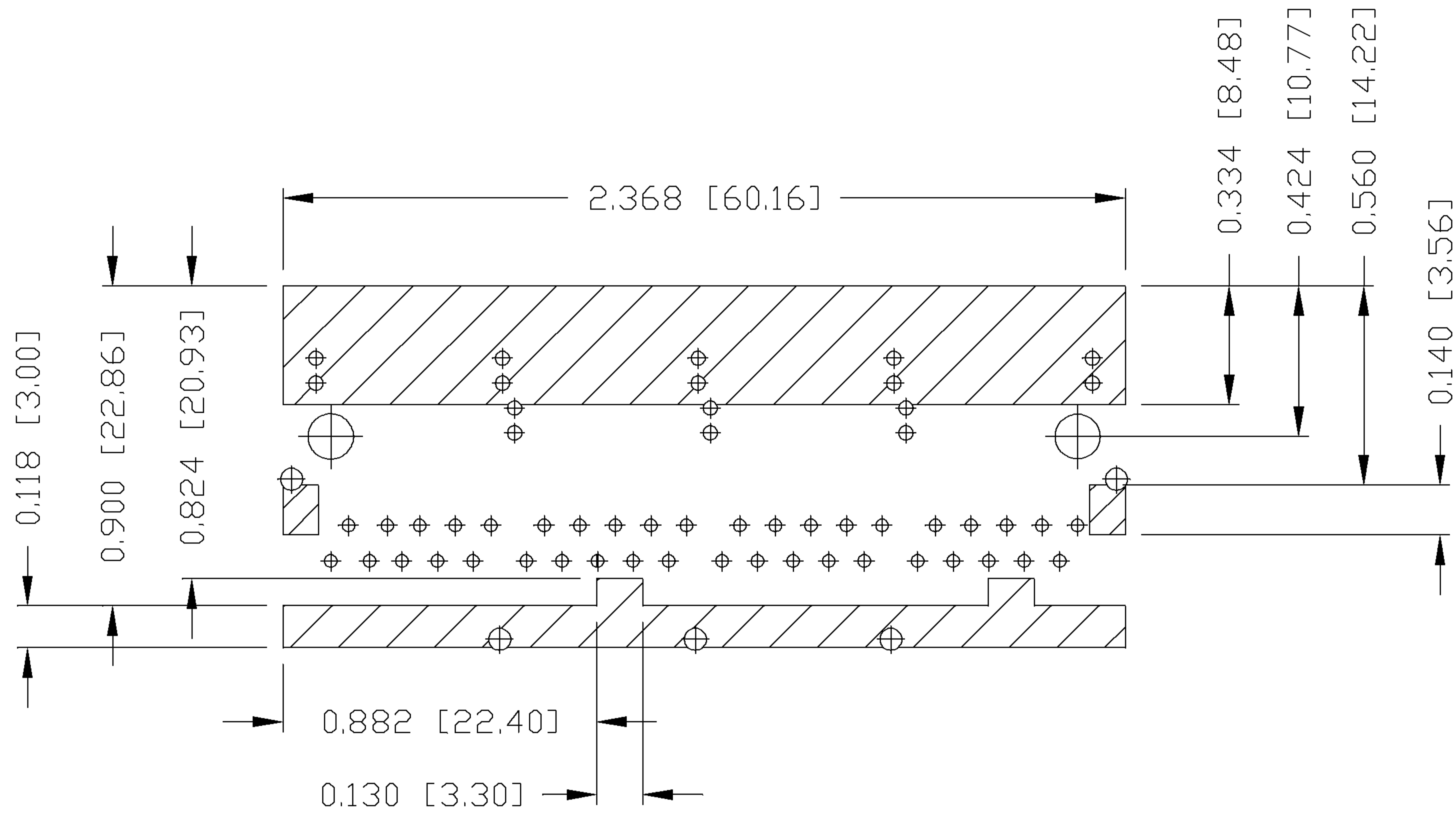


THE INFORMATION CONTAINED HEREIN IS CONSIDERED "PROPRIETARY" TO BEL FUSE INC. AND SHALL NOT BE COPIED, REPRODUCED OR DISCLOSED WITHOUT THE WRITTEN APPROVAL OF BEL FUSE INC.

RoHS
2002/95/EC



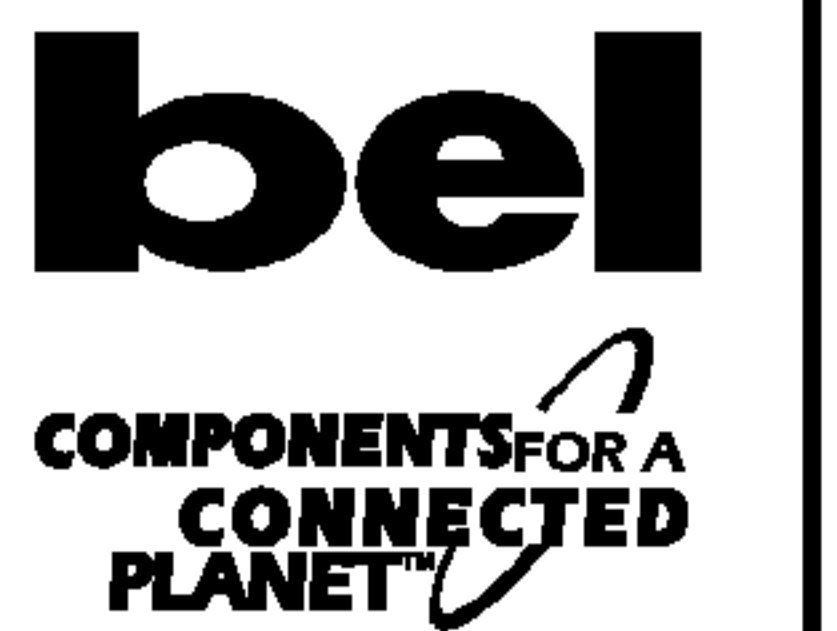
PRELIMINARY



NOTES

THE SHADED AREA ON THE CUSTOMER BOARD ARE RECOMMENDED TO BE CLEAR OFF ANY VIA HOLE OR COMPONENT PAD.

ORIGINATED BY LIU QIN	DATE 12-05-07	TITLE 1X4 gigabit MagJack® (WITH LED)	PART NO. / DRAWING NO. 0875-1X4T-DJ	STANDARD DIM. TOL. IN INCH	[] METRIC DIM. AS REFERENCE	
DRAWN BY CHEN TING	DATE 12-05-07		FILE NAME 0875-1X4T-DJ_PA.DWG	.X .XX .XXX	±0.004	UNIT : INCH [mm]
					SCALE : N/A	SIZE : A4
						PAGE : 5

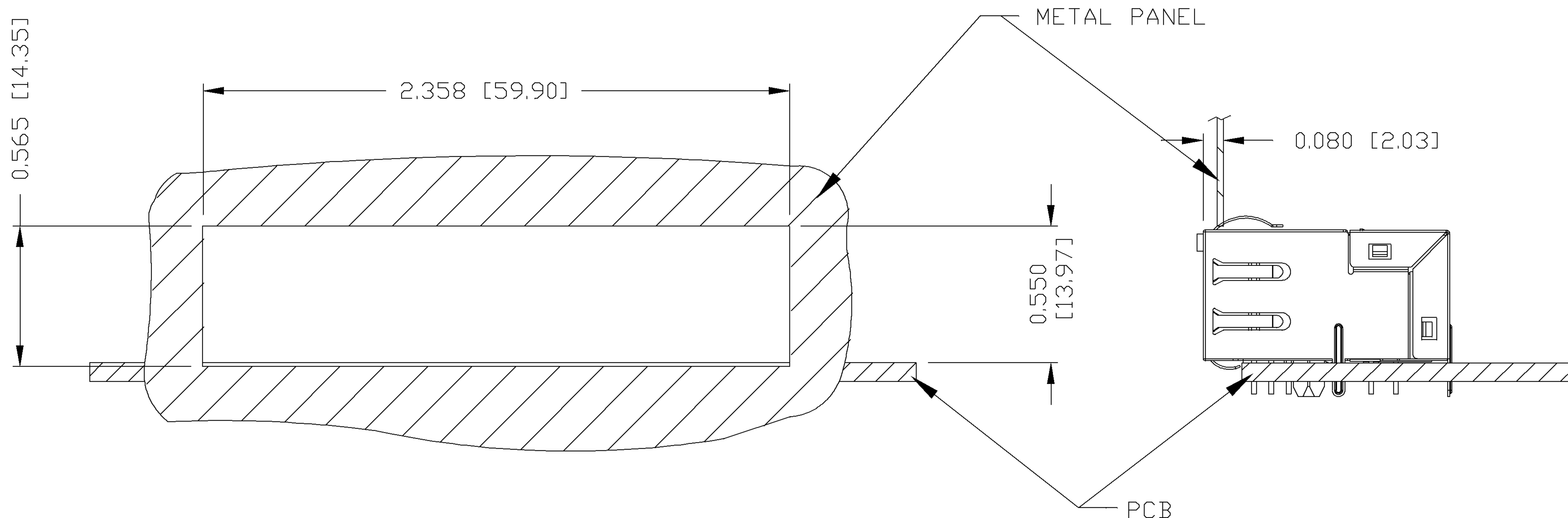


THE INFORMATION CONTAINED HEREIN IS CONSIDERED "PROPRIETARY" TO BEL FUSE INC. AND SHALL NOT BE COPIED, REPRODUCED OR DISCLOSED WITHOUT THE WRITTEN APPROVAL OF BEL FUSE INC.

SUGGESTED PANEL OPENING

PRELIMINARY

RoHS
2002/95/EC



NOTE:

THE DISTANCE OF PANEL INSIDE SURFACE RELATIVE TO FRONT SURFACE OF PART IS ONLY A SUGGESTION. IN CASE THIS DISTANCE IS DIFFERENT, THE REQUIRED PANEL OPENING DIMENSIONS CHANGE ACCORDINGLY.

PACKING INFORMATION

PACKING TRAY : 0200M9999-D6 (TOP)

0200M9999-D7 (BOTTOM)

PACKING QUANTITY : 27 PCS FINISHED GOODS PER TRAY.

11 TRAYS (297 PCS FINISHED GOODS) PER CARTON BOX.

NOTE : CARDBOARDS ARE PLACED BETWEEN LAYERS OF PACKING TRAY INSIDE CARTON BOX.

(INCLUDE THE UPPERMOST AND LOWERMOST TRAY)

ORIGINATED BY LIU QIN	DATE 12-05-07	TITLE 1X4 gigabit MagJack® (WITH LED)	PART NO. / DRAWING NO. 0875-1X4T-DJ	STANDARD DIM. TOL. IN INCH	[] METRIC DIM. AS REFERENCE	 COMPONENTS FOR A CONNECTED PLANET	
DRAWN BY CHEN TING	DATE 12-05-07		FILE NAME 0875-1X4T-DJ_PA.DWG	.X	UNIT : INCH [mm]		REV. : PA
				.XX	SCALE : N/A		SIZE : A4
				.XXX ±0.004		PAGE : 6	