

THE INFORMATION CONTAINED HEREIN IS CONSIDERED "PROPRIETARY" TO BEL FUSE INC. AND SHALL NOT BE COPIED, REPRODUCED OR DISCLOSED WITHOUT THE WRITTEN APPROVAL OF BEL FUSE INC.

LED1 POLARITY			LED2 POLARITY		
PIN 9	PIN 10	COLOR	PIN 7	PIN 8	COLOR
+	-	YELLOW	+	-	GREEN

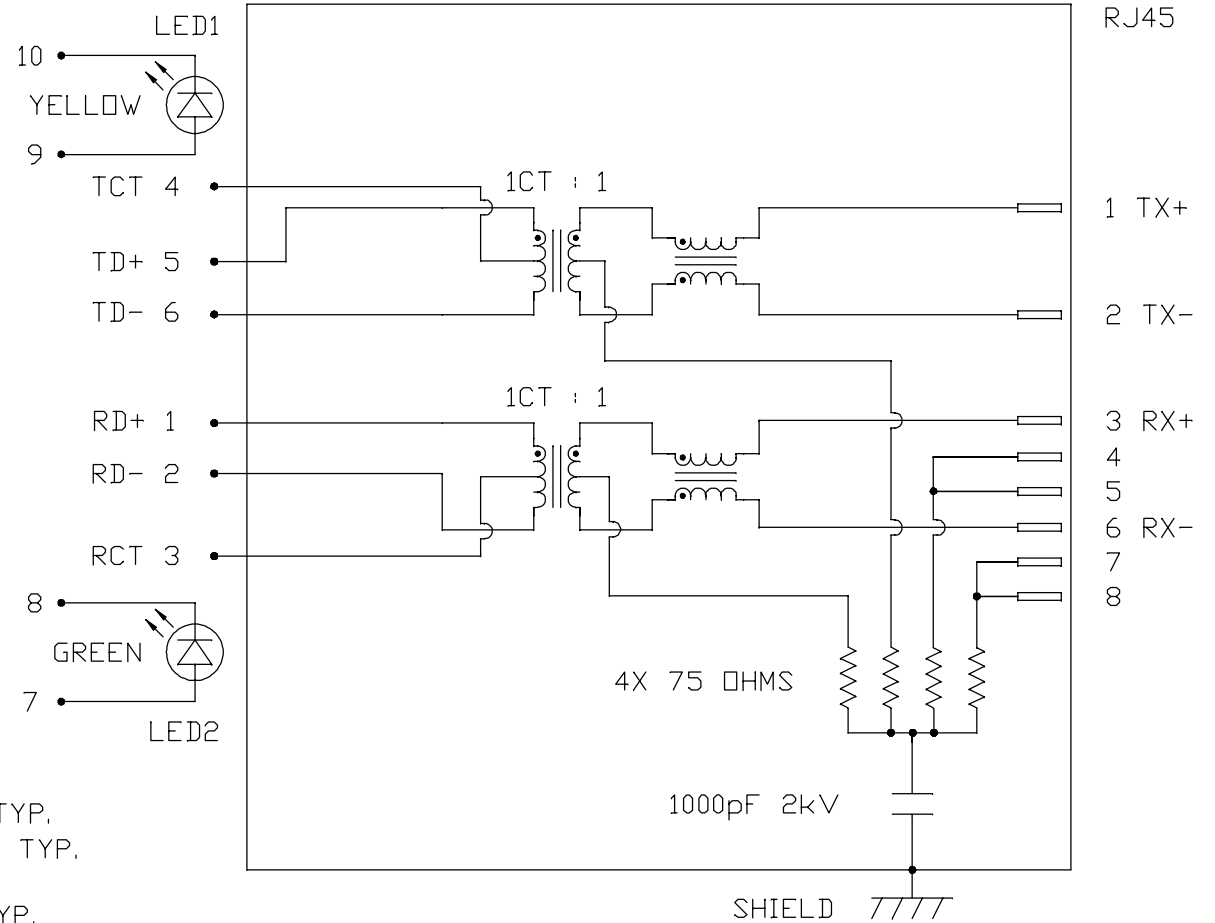
RoHS



**ELECTRICAL CHARACTERISTICS @ 25°C**

<b>URNS RATIO</b>	
TX	1CT : 1
RX	1CT : 1
<b>QCL @ 100kHz/100mVRMS</b>	
8mA DC BIAS (0°C - 70°C)	350µH MIN.
<b>INS. LOSS</b>	
1MHz TO 100MHz	-1.1 dB MAX
<b>RET. LOSS (MIN) @ 100OHMS ±15%</b>	
1MHz-30MHz	-18 dB
30MHz-60MHz	-18+20LOG(F/30MHz) dB
60MHz-80MHz	-12 dB
<b>CROSS TALK (TX - RX)</b>	
100kHz-100MHz	-35 dB MIN
<b>CM TO CM REJ</b>	
100kHz-100MHz	-30 dB MIN
<b>CM TO DM REJ</b>	
100kHz-100MHz	-35 dB MIN
<b>HIPOT (Isolation Voltage):</b>	
	1500 Vrms
100% OF PRODUCTION TESTED TO COMPLY WITH IEEE 802.3 ISOLATION REQUIREMENT	
<b>LED 1</b>	
V <sub>F</sub> (FORWARD VOLTAGE)	IF=20mA YELLOW 2.1V TYP.
λ <sub>D</sub> (DOMINANT WAVELENGTH)	IF=20mA YELLOW 590nm TYP.
<b>LED 2</b>	
V <sub>F</sub> (FORWARD VOLTAGE)	IF=20mA GREEN 2.2V TYP.
λ <sub>D</sub> (DOMINANT WAVELENGTH)	IF=20mA GREEN 570nm TYP.
<b>OPERATING TEMPERATURE</b>	
	0°C TO +70°C

**SCHEMATIC**



RJ45  
1 TX+  
2 TX-  
3 RX+  
4  
5  
6 RX-  
7  
8

SHIELD 7777

**ORIGINATED BY**  
CHOW WANCHUNG  
**DATE** 2017-03-18

**DRAWN BY**  
XIE YIMING  
**DATE** 2017-03-18

**TITLE**  
1X1 MagJack®  
With LEDs  
PATENTED

**PART NO. / DRAWING NO.**  
0875-1A1T-P2

**FILE NAME**  
0875-1A1T-P2\_B.DWG

<b>STANDARD DIM.</b>	[ ] METRIC DIM.
<b>TOL. IN INCH</b>	AS REF.
.X	UNIT : INCH [mm]
.XX	SCALE : N/A
.XXX	SIZE : A4

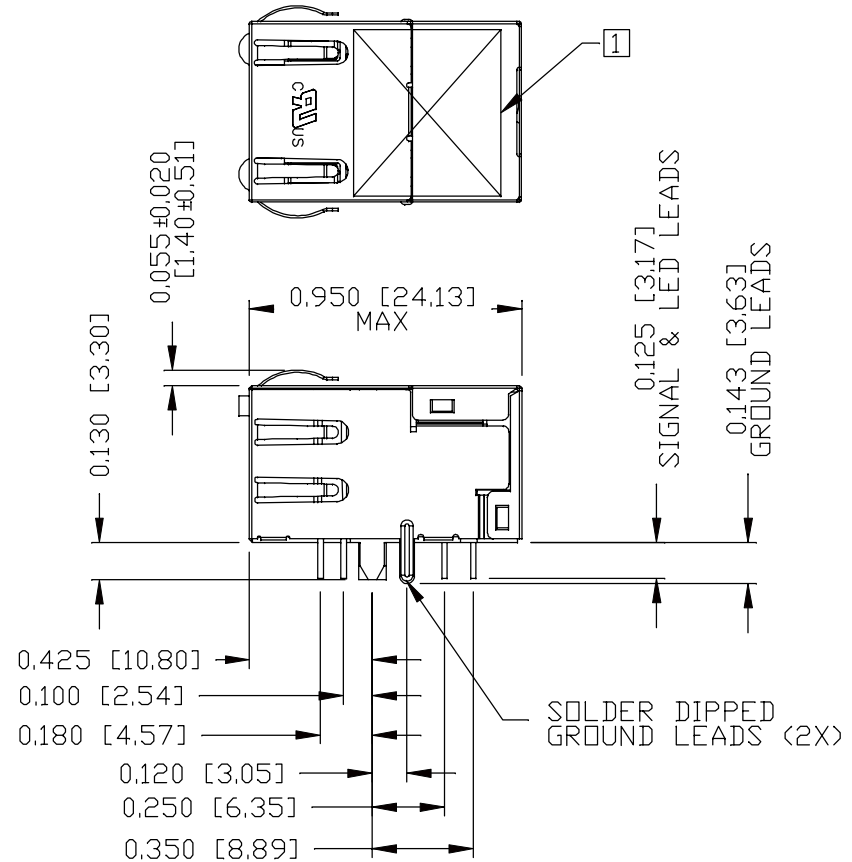
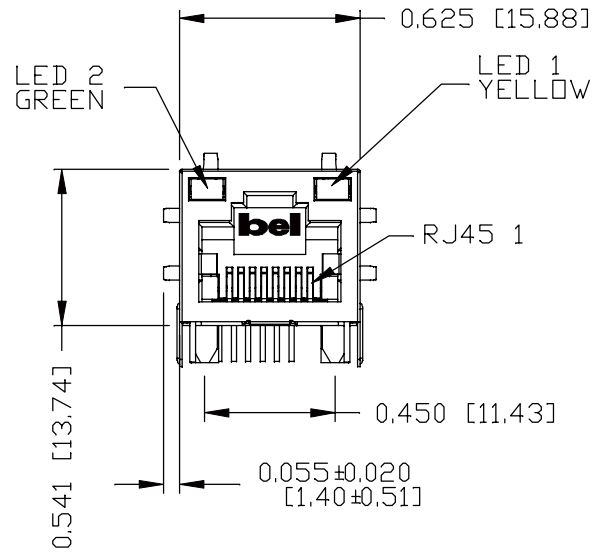
REV. : B PAGE : 2



THE INFORMATION CONTAINED HEREIN IS CONSIDERED "PROPRIETARY" TO BEL FUSE INC. AND SHALL NOT BE COPIED, REPRODUCED OR DISCLOSED WITHOUT THE WRITTEN APPROVAL OF BEL FUSE INC.

MECHANICAL SPECIFICATION

RoHS



NOTES:

PLASTIC HOUSING: THERMOPLASTIC PBT, BLACK  
 FLAMMABILITY RATING UL 94V-0  
 CONTACTS: 30 MICRO-INCH HARD GOLD PLATING OR EQUIVALENT.  
 OUTPUT PINS: LEAD FREE COPPER WIRES, DIA 0.018 INCH.  
 100 MICRO-INCH MIN MATTE TIN. PINS ARE SOLDER DIPPED.  
 METAL SHIELD: NICKEL PLATED ON COPPER ALLOY.  
 (ALL GROUND LEADS ARE SOLDER DIPPED)

- JACK CAVITY CONFORMS TO FCC RULES AND REGULATIONS, PART 68 SUBPART F.
- THE PRODUCT IS RoHS COMPLIANT.
- UL RECOGNIZED - FILE #E196366 AND E169987.
- THE PRODUCT IS PATENTED, THE PATENT NUMBER IS U.S. PAT. 6,840,817.
- THE PRODUCT IS RECOMMENDED FOR WAVE SOLDERING PROCESS, PEAK TEMPERATURE 260°C MAX, AND 10 SECONDS MAX..

1. MARK PART WITH MFG. LOGO, MFG. NAME, PART NUMBER, DATE CODE AND PATENTED.

REV. : B PAGE : 3

ORIGINATED BY ANTON LIAO DATE 2017-03-18	TITLE 1X1 MagJack® With LEDs PATENTED	PART NO. / DRAWING NO. 0875-1A1T-P2	STANDARD DIM. TOL. IN INCH	[ ] METRIC DIM. AS REF.
DRAWN BY LIU DONGJUN DATE 2017-03-18		FILE NAME 0875-1A1T-P2_B.DWG	.X .XX .XXX	UNIT : INCH [mm] SCALE : N/A SIZE : A4
			±0.010	



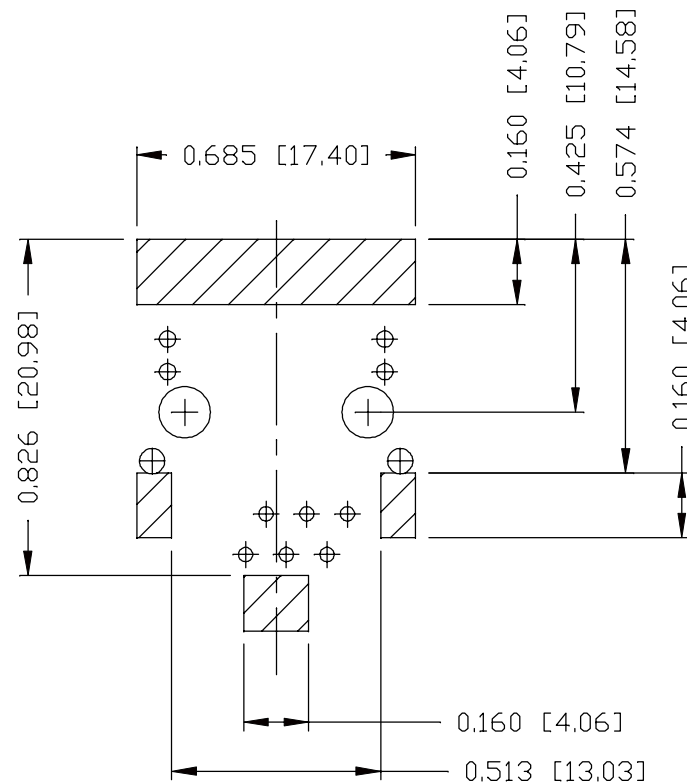
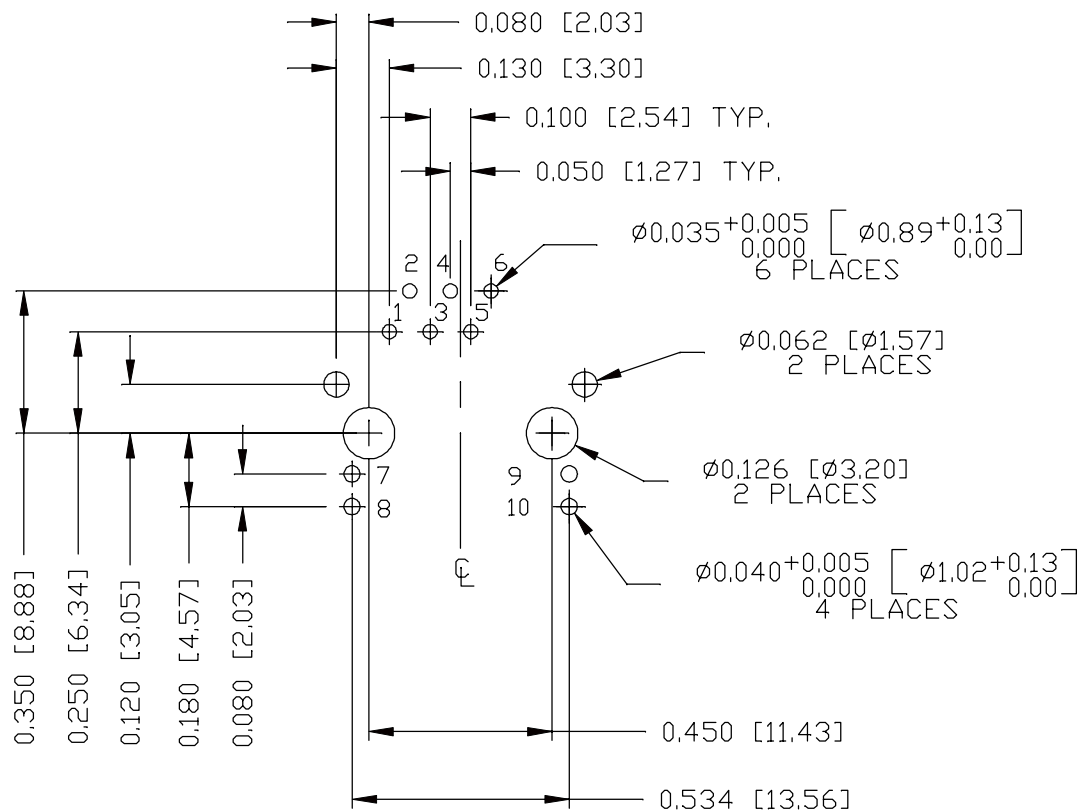
THE INFORMATION CONTAINED HEREIN IS CONSIDERED 'PROPRIETARY' TO BEL FUSE INC. AND SHALL NOT BE COPIED, REPRODUCED OR DISCLOSED WITHOUT THE WRITTEN APPROVAL OF BEL FUSE INC.

RoHS



RECOMMENDED PCB FOOTPRINT

COMPONENT SIDE VIEW



NOTE:

THE SHADED AREA ON THE CUSTOMER BOARD ARE RECOMMENDED TO BE CLEAR OFF ANY VIA HOLE OR COMPONENT PAD.

ORIGINATED BY  
ANTON LIAO  
DATE 2017-03-18

DRAWN BY  
LIU DONGJUN  
DATE 2017-03-18

TITLE  
1X1 MagJack®  
With LEDs  
PATENTED

PART NO. / DRAWING NO.  
0875-1A1T-P2

FILE NAME  
0875-1A1T-P2\_B.DWG

STANDARD DIM.  
TOL. IN INCH

.X	
.XX	
.XXX	±0.004

[ ] METRIC DIM.  
AS REF.

UNIT : INCH [mm]  
SCALE : N/A  
SIZE : A4

REV. : B

PAGE : 4



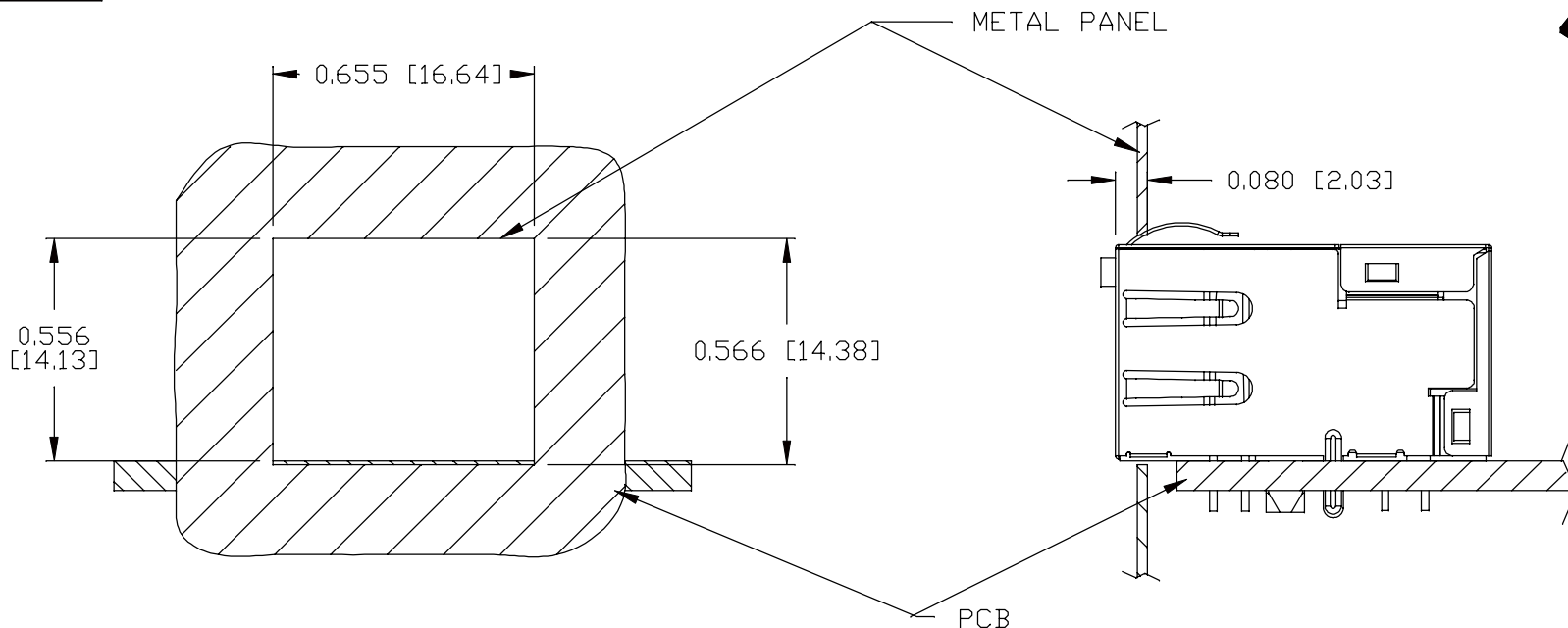
a bel group

THE INFORMATION CONTAINED HEREIN IS CONSIDERED "PROPRIETARY" TO BEL FUSE INC. AND SHALL NOT BE COPIED, REPRODUCED OR DISCLOSED WITHOUT THE WRITTEN APPROVAL OF BEL FUSE INC.

RoHS



SUGGESTED PANEL OPENING



NOTE:

THE DISTANCE OF PANEL INSIDE SURFACE RELATIVE TO FRONT SURFACE OF PART IS ONLY A SUGGESTION. IN CASE THIS DISTANCE IS DIFFERENT, THE REQUIRED PANEL OPENING DIMENSIONS CHANGE ACCORDINGLY.

PACKING INFORMATION

PACKING TRAY : 0200-9999-H7 (TOP)  
0200-9999-H8 (BOTTOM)

PACKING QUANTITY : 60 PCS FINISHED GOODS PER TRAY  
10 TRAYS (600 PCS FINISHED GOODS) PER CARTON BOX

NOTE : CARDBOARDS ARE PLACED BETWEEN LAYERS OF PACKING TRAY INSIDE CARTON BOX  
(INCLUDE THE UPPERMOST AND LOWERMOST TRAY)

REV. : B PAGE : 5

ORIGINATED BY  
ANTON LIAO  
DATE 2017-03-18  
DRAWN BY  
LIU DONGJUN  
DATE 2017-03-18

TITLE  
1X1 MagJack®  
With LEDs  
PATENTED

PART NO. / DRAWING NO.  
0875-1A1T-P2  
FILE NAME  
0875-1A1T-P2\_B.DWG

STANDARD DIM. TOL. IN INCH		[ ] METRIC DIM. AS REF.
.X		UNIT : INCH [mm]
.XX		SCALE : N/A
.XXX	±0.004	SIZE : A4

