

THE INFORMATION CONTAINED HEREIN IS CONSIDERED "PROPRIETARY" TO BEL FUSE INC. AND SHALL NOT BE COPIED, REPRODUCED OR DISCLOSED WITHOUT THE WRITTEN APPROVAL OF BEL FUSE INC.

BI-COLOR LED POLARITY		
PIN	GREEN	ORANGE
13	-	+
14	+	-

PRELIMINARY



ELECTRICAL CHARACTERISTICS @ 25°C

URNS RATIO

TP1	1CT : 1CT ±2%
TP2	1CT : 1CT ±2%
TP3	1CT : 1CT ±2%
TP4	1CT : 1CT ±2%

□CL @ 100kHz/100mVRMS

8mA DC BIAS 350 μH MIN.

INS. LOSS

0.1MHz TO 1MHz	-1.1 dB MAX
1MHz TO 65MHz	-0.5 dB MAX
65MHz TO 100MHz	-0.8 dB MAX
100MHz TO 125MHz	-1.2 dB MAX

RET. LOSS (MIN)

0.5MHz-40MHz	-18 dB
40MHz-100MHz	-12+20LOG(f/80MHz) dB

CM TO CM REJ

100kHz - 100MHz -30 dB MIN

CM TO DM REJ

100kHz - 100MHz -35 dB MIN

HIPOT (Isolation Voltage):

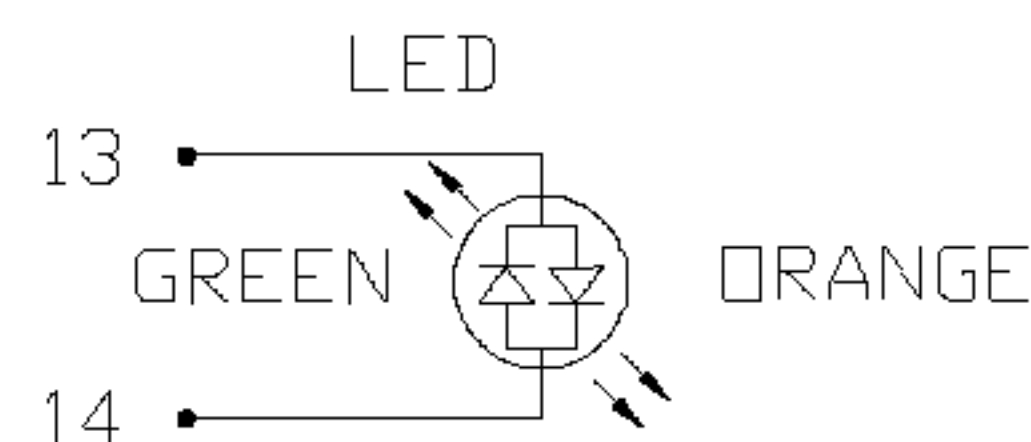
2250 VDC

BALANCED DC LINE CURRENT

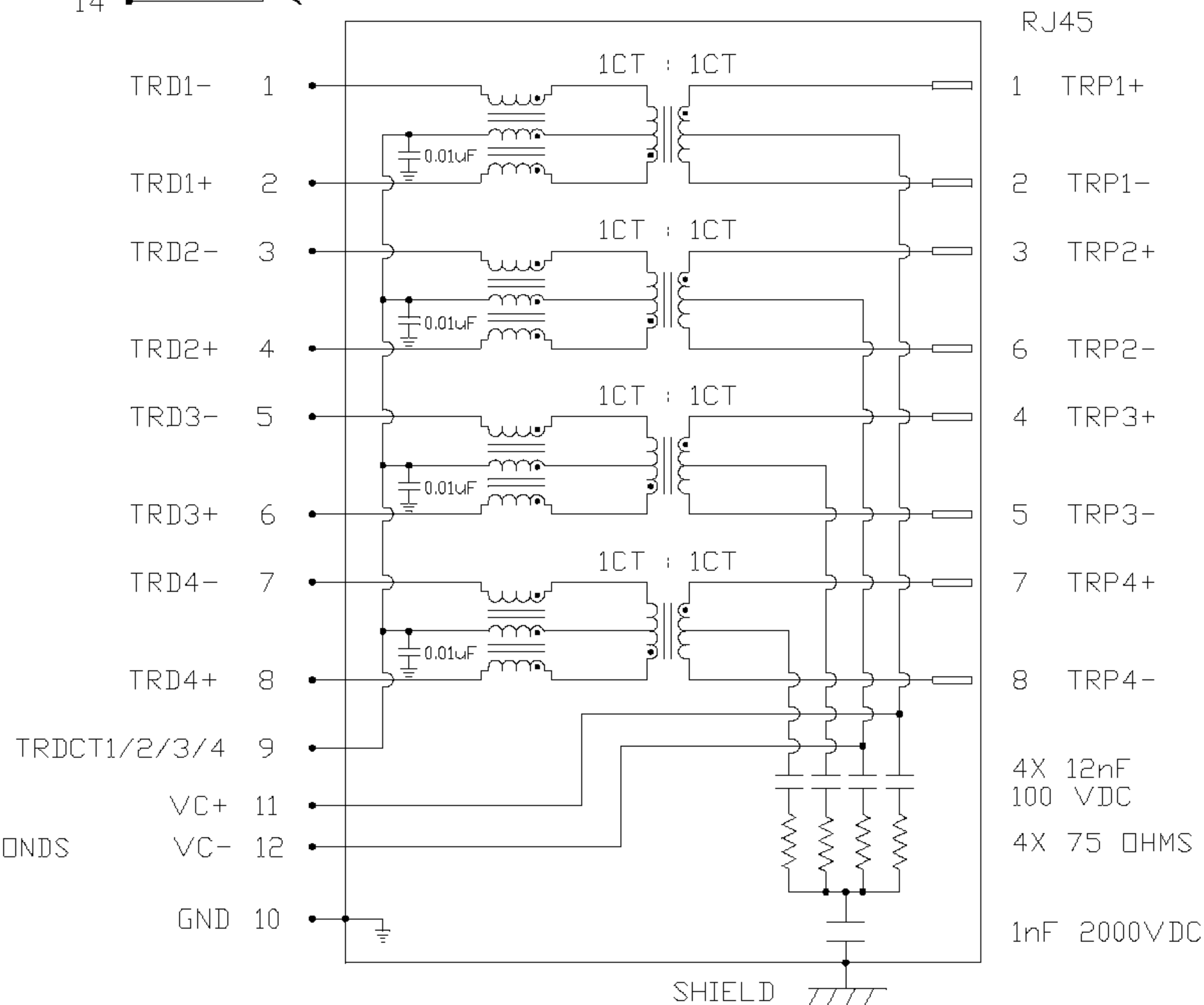
350 mA MAX. @ 57 VDC CONTINUOUS
500 mA MAX. @ 57 VDC for 200 MILLISECONDS

LED

VF (FORWARD VOLTAGE)	IF=20mA	GREEN	2.2V TYP.
		ORANGE	2.0V TYP.
λD (DOMINANT WAVELENGTH)	IF=20mA	GREEN	565nm TYP.
		ORANGE	610nm TYP.



SCHEMATIC



RJ45
1 TRP1+
2 TRP1-
3 TRP2+
6 TRP2-
4 TRP3+
5 TRP3-
7 TRP4+
8 TRP4-
4X 12nF
100 VDC
4X 75 OHMS
1nF 2000VDC

ORIGINATED BY	DATE	TITLE	PART NO. / DRAWING NO.	STANDARD DIM. TOL. IN INCH	[] METRIC DIM. AS REFERENCE
CHUNG	12-29-06	2X4 gigabit MagJack® VOIP, WITH LED 0873-2X4R-66-F	08732X4R66-F	.X	UNIT : INCH [mm] REV. : PB
DRAWN BY	DATE		FILE NAME	.XX	SCALE : N/A SIZE : A4
DE	12-29-06		08732X4R66-FPB.DWG	.XXX	PAGE : 2

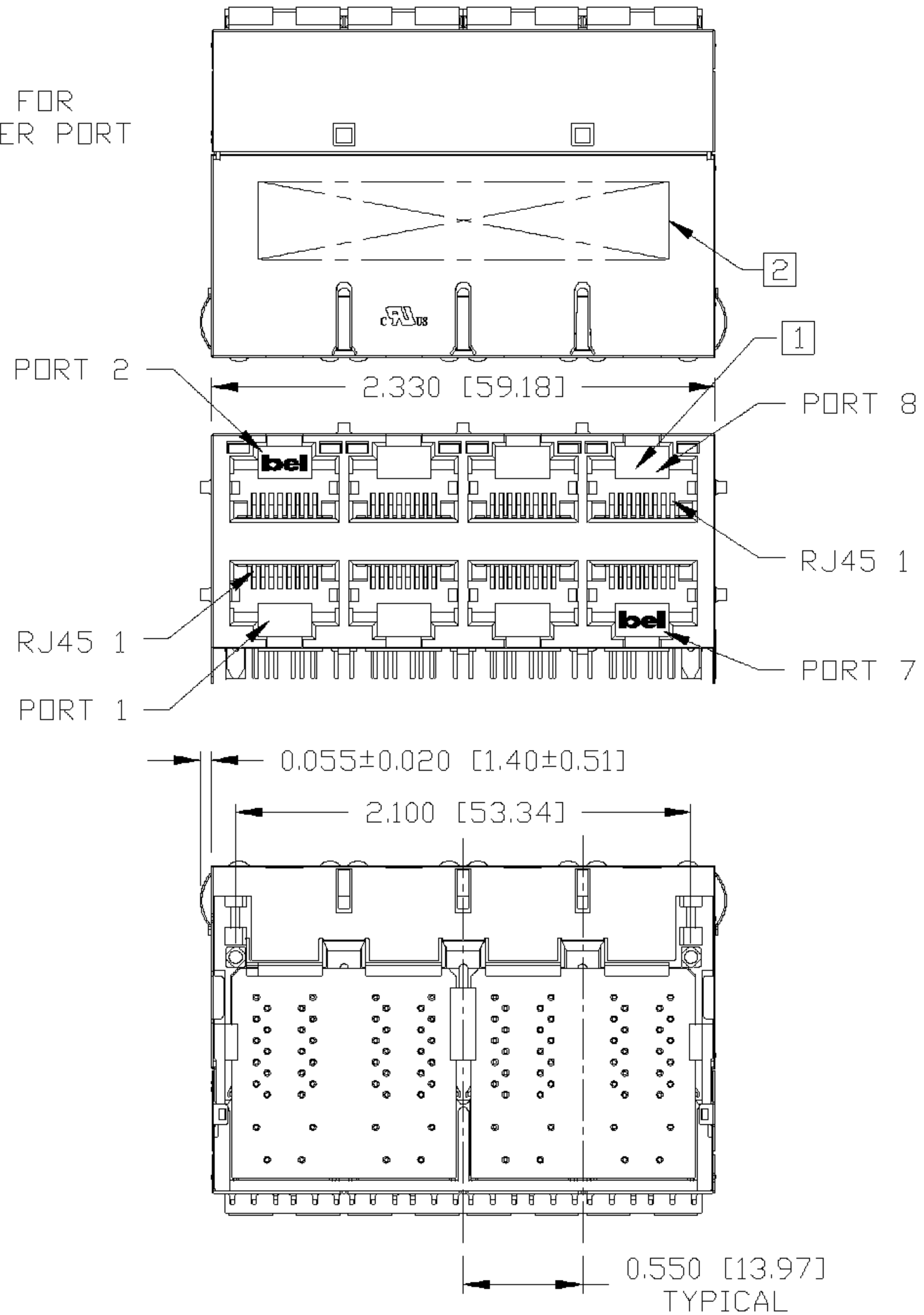
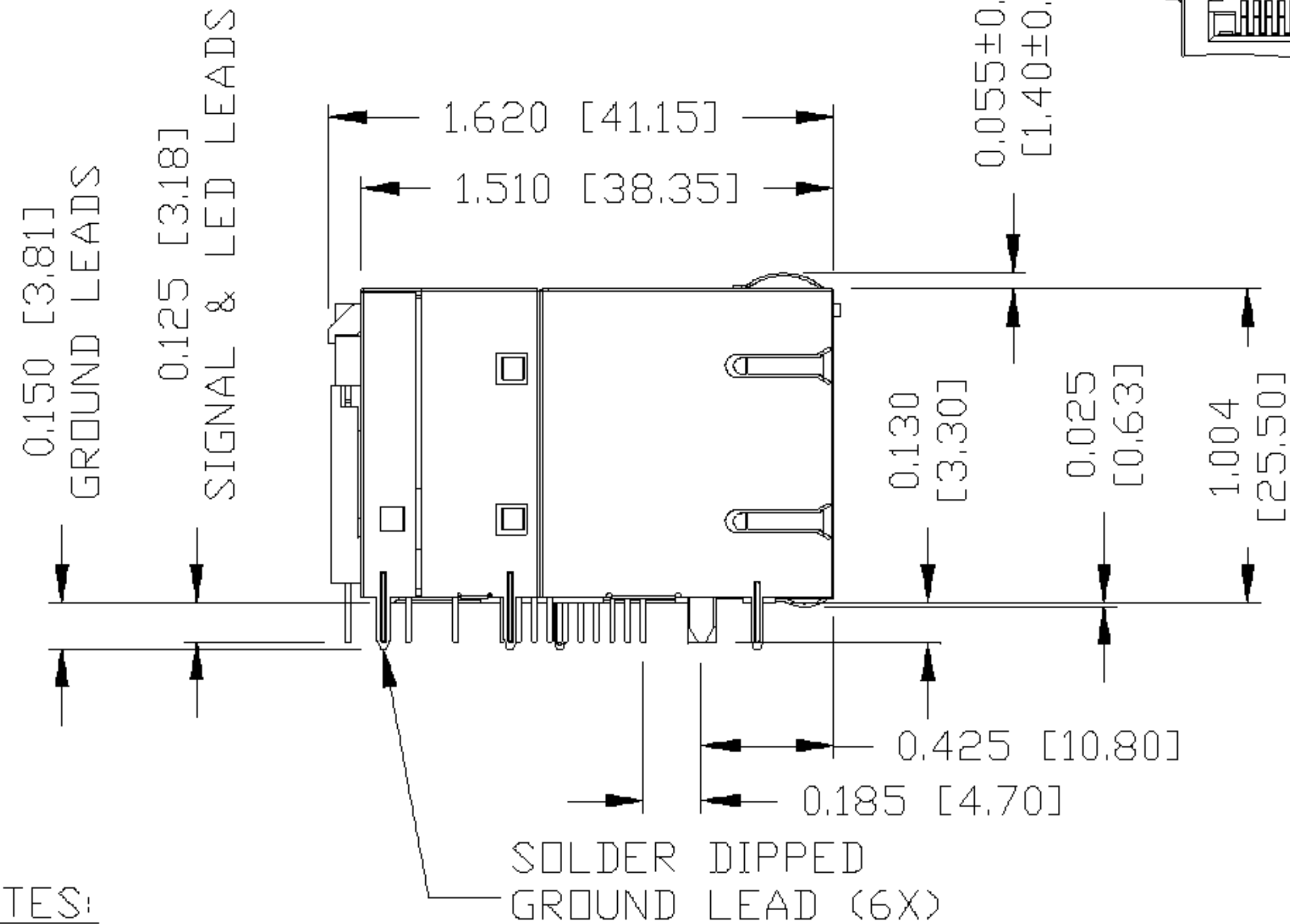
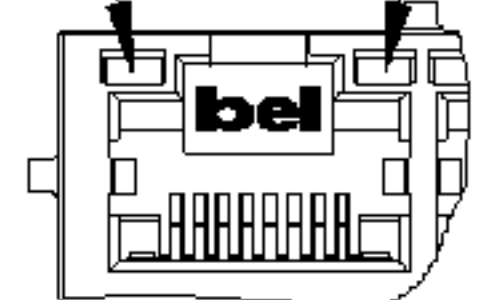


THE INFORMATION CONTAINED HEREIN IS CONSIDERED "PROPRIETARY" TO BEL FUSE INC. AND SHALL NOT BE COPIED, REPRODUCED OR DISCLOSED WITHOUT THE WRITTEN APPROVAL OF BEL FUSE INC.



PRELIMINARY

LED FOR LOWER PORT LED FOR UPPER PORT



NOTES:

- PLASTIC HOUSING: THERMOPLASTIC PBT
FLAMMABILITY RATING UL 94V-0
- CONTACT PLATING: 50 MICRO-INCH HARD GOLD PLATING
- OUTPUT PINS: TIN-COATED COPPER WIRE, DIA 0.018 INCH.
- METAL SHIELD: NICKEL PLATED ON COPPER ALLOY.
- (ALL GROUND LEADS ARE SOLDER DIPPED)

- ① JACK CAVITY CONFORMS TO FCC RULES AND REGULATIONS, PART 68 SUBPART F.
- ② MARK PART WITH MFG LOGO, MFG NAME, PART NUMBER AND DATE CODE.

cULus UL RECOGNIZED - FILE #E196366 AND E169987.
RoHS COMPLIANCE, PER EU DIRECTIVE 2002/95/EC.

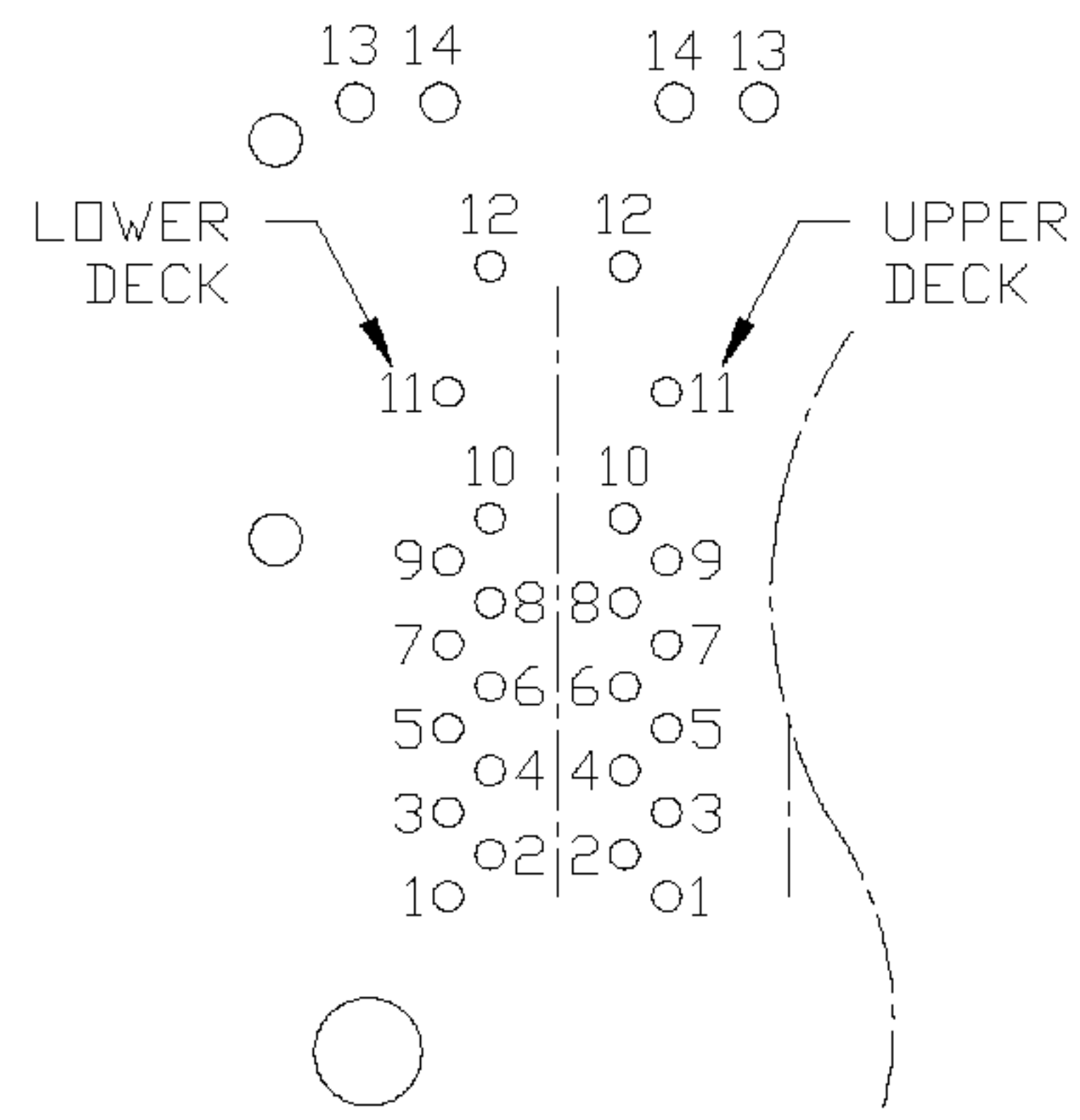
ORIGINATED BY QIN/BILL	DATE 12-29-06	TITLE 2X4 gigabit MagJack® VOIP, WITH LED	PART NO. / DRAWING NO. 08732X4R66-F	STANDARD DIM. TOL. IN INCH	[] METRIC DIM. AS REFERENCE
DRAWN BY TING	DATE 12-29-06	0873-2X4R-66-F	FILE NAME 08732X4R66-FPB.DWG	.X .XX .XXX	UNIT : INCH [mm] SCALE : N/A REV. : PB SIZE : A4 PAGE : 3
				±0.010	





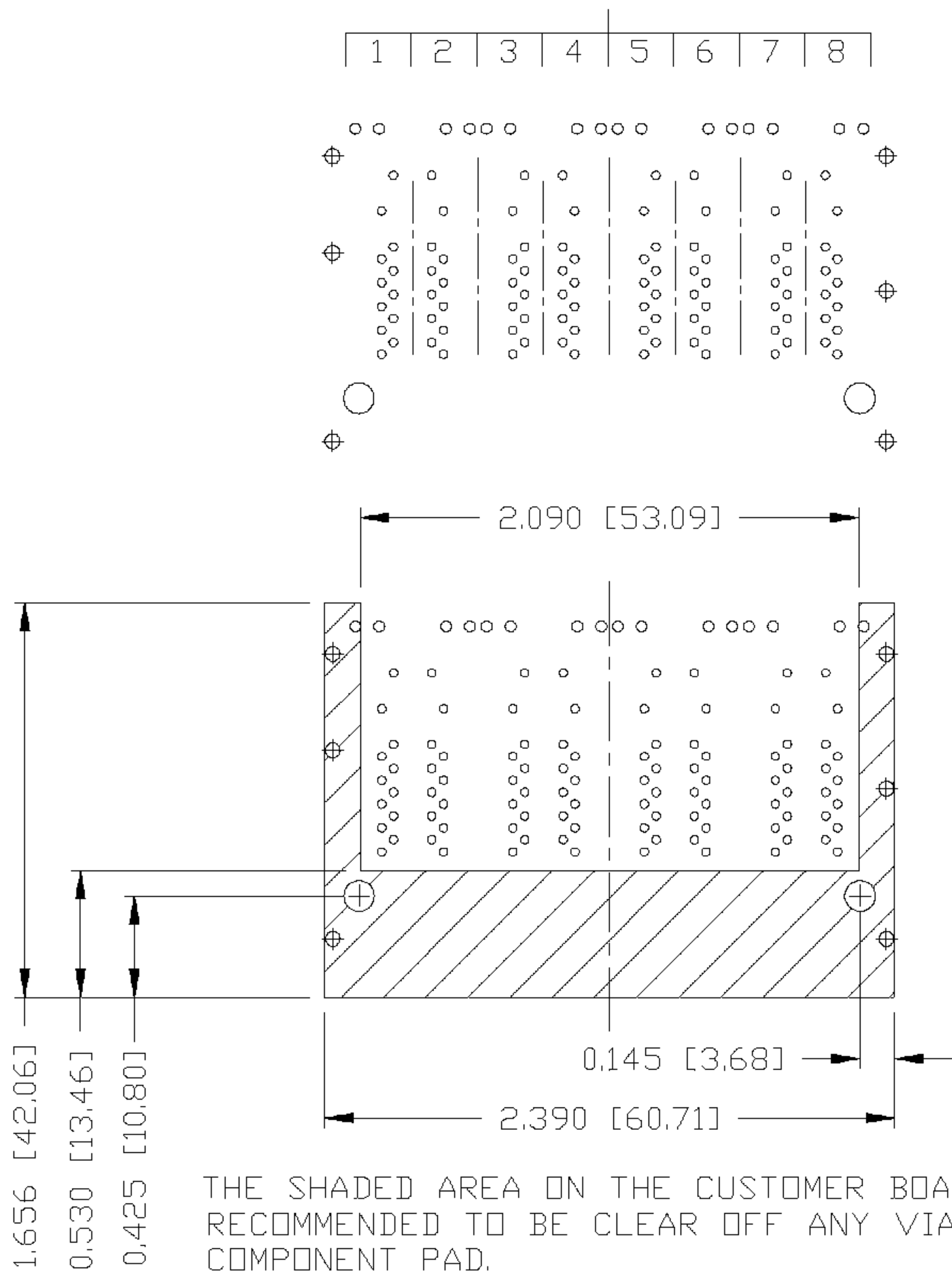
PRELIMINARY

PORT ASSIGNMENT
(COMPONENT SIDE VIEW)



PIN-OUT INFORMATION
(COMPONENT SIDE VIEW)

14	GRN (+)/ORG(-)
13	GRN (-)/ORG(+)
12	VC-
11	VC+
10	GND
9	TRDCT1/2/3/4
8	TRD 4+
7	TRD 4-
6	TRD 3+
5	TRD 3-
4	TRD 2+
3	TRD 2-
2	TRD 1+
1	TRD 1-



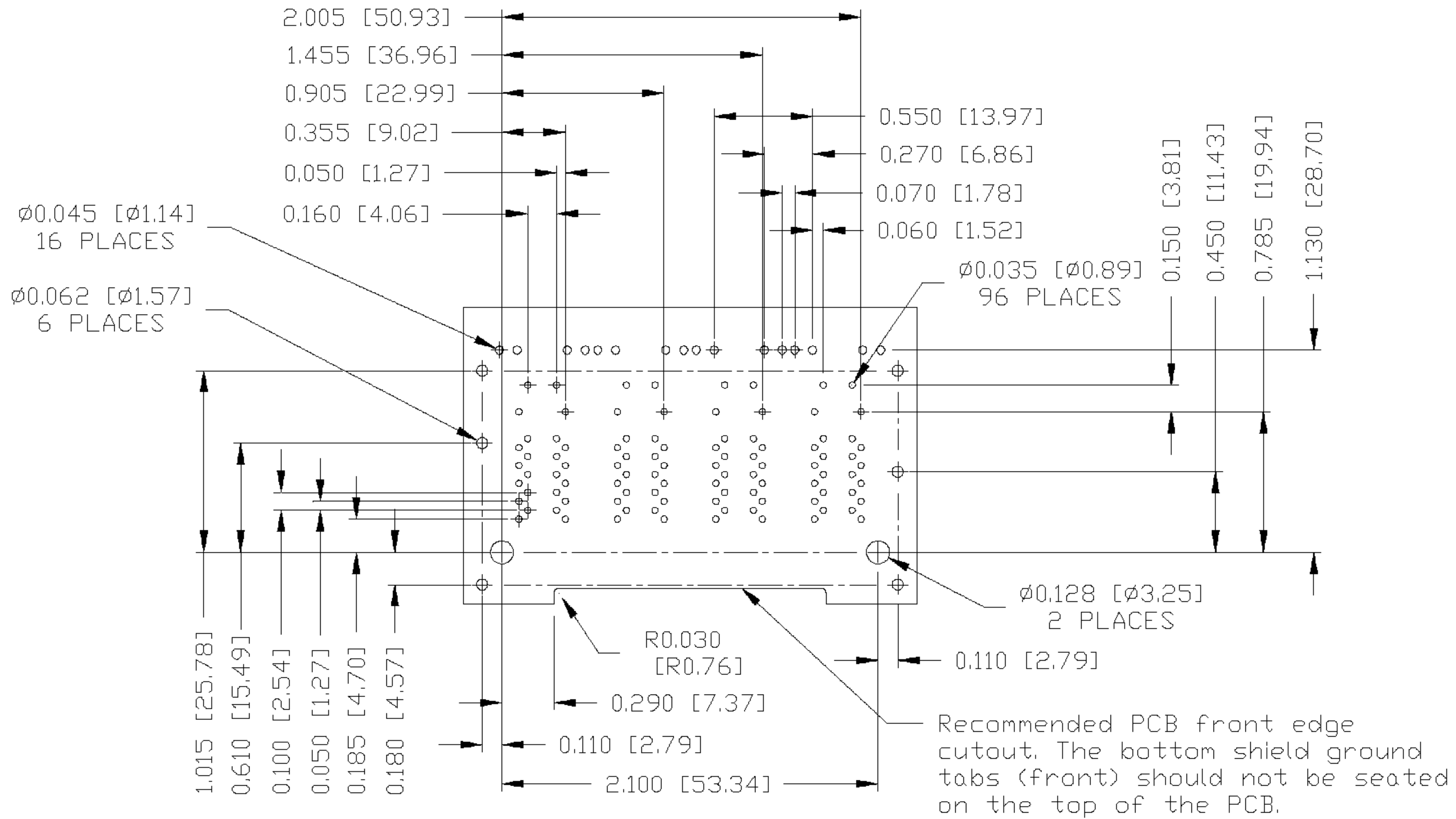
THE SHADED AREA ON THE CUSTOMER BOARD ARE RECOMMENDED TO BE CLEAR OFF ANY VIA HOLE OR COMPONENT PAD.

ORIGINATED BY QIN/BILL	DATE 12-29-06	TITLE 2X4 gigabit MagJack® VDIP, WITH LED 0873-2X4R-66-F	PART NO. / DRAWING NO. 08732X4R66-F	STANDARD DIM. TOL. IN INCH	[] METRIC DIM. AS REFERENCE
			FILE NAME 08732X4R66-FPB.DWG	.X	UNIT : INCH [mm]
				.XX	SCALE : N/A
				.XXX ±0.004	REV. : PB
					SIZE : A4
					PAGE : 4



THE INFORMATION CONTAINED HEREIN IS CONSIDERED "PROPRIETARY" TO BEL FUSE INC. AND SHALL NOT BE COPIED, REPRODUCED OR DISCLOSED WITHOUT THE WRITTEN APPROVAL OF BEL FUSE INC.

PRELIMINARY



SUGGESTED FOOTPRINT
(COMPONENT SIDE VIEW)

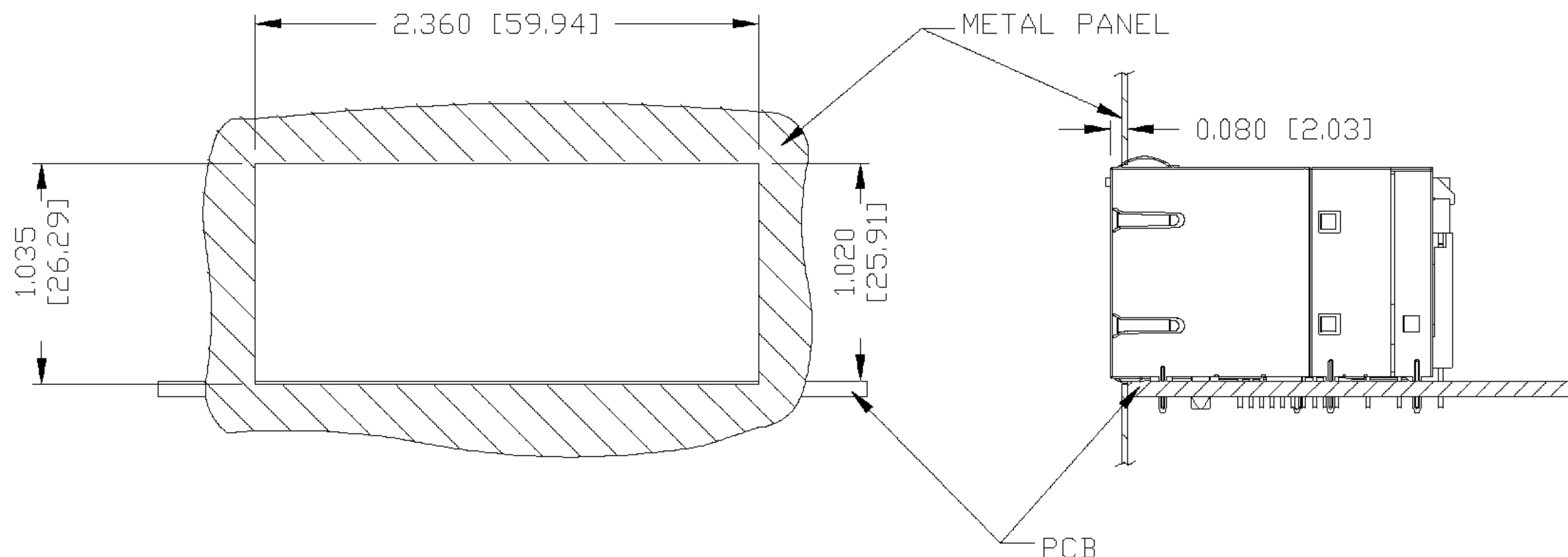
ORIGINATED BY QIN/BILL	DATE 12-29-06	TITLE 2X4 gigabit MagJack® VOIP, WITH LED	PART NO. / DRAWING NO. 08732X4R66-F	STANDARD DIM. TOL. IN INCH	[] METRIC DIM. AS REFERENCE	 COMPONENTS FOR A CONNECTED PLANET	
DRAWN BY TING	DATE 12-29-06	0873-2X4R-66-F	FILE NAME 08732X4R66-FPB.DWG	.X	UNIT : INCH [mm]		REV. : PB
				.XX	SCALE : N/A		SIZE : A4
				.XXX ±0.004			PAGE : 5

THE INFORMATION CONTAINED HEREIN IS CONSIDERED "PROPRIETARY" TO BEL FUSE INC. AND SHALL NOT BE COPIED, REPRODUCED OR DISCLOSED WITHOUT THE WRITTEN APPROVAL OF BEL FUSE INC.



PRELIMINARY

SUGGESTED PBNEL OPENING



NOTE:
THE DISTANCE OF PANEL INSIDE SURFACE RELATIVE TO FRONT SURFACE OF PART IS ONLY A SUGGESTION. IN CASE THIS DISTANCE IS DIFFERENT, THE REQUIRED PANEL OPENING DIMENSIONS CHANGE ACCORDINGLY.

PACKING INFORMATION

PACKING TRAY : 0200-9999-G1 (BOTTOM)
0200-9999-G2 (TOP)

PACKING QUANTITY : 20 PCS FINISHED GOODS PER TRAY
5 TRAYS (100 PCS FINISHED GOODS) PER CARTON BOX

NOTE : CARDBOARDS ARE PLACED BETWEEN LAYERS OF PACKING TRAY INSIDE CARTON BOX
(INCLUDE THE UPPERMOST AND LOWERMOST TRAY)

ORIGINATED BY QIN/BILL	DATE 12-29-06	TITLE 2X4 gigabit MagJack® VOIP, WITH LED	PART NO. / DRAWING NO. 08732X4R66-F	STANDARD DIM.		[] METRIC DIM. AS REFERENCE		 COMPONENTS FOR A CONNECTED PLANET
				TOL. IN INCH		UNIT : INCH [mm]	REV. : PB	
DRAWN BY TING	DATE 12-29-06	0873-2X4R-66-F	FILE NAME 08732X4R66-FPB.DWG	.X	N/A	SCALE : N/A	SIZE : A4	
				.XX		±0.004		