

THE INFORMATION CONTAINED HEREIN IS CONSIDERED "PROPRIETARY" TO BEL FUSE INC. AND SHALL NOT BE COPIED, REPRODUCED OR DISCLOSED WITHOUT THE WRITTEN APPROVAL OF BEL FUSE INC.

RoHS
2002/95/EC



BI-COLOR LED POLARITY		
PIN	GREEN	ORANGE
11	-	+
12	+	-

ELECTRICAL CHARACTERISTICS @ 25°C

URNS RATIO

TP1	1CT : 1CT ±2%
TP2	1CT : 1CT ±2%
TP3	1CT : 1CT ±2%
TP4	1CT : 1CT ±2%

CL @ 100kHz/100mVRMS

8mA DC BIAS 350µH MIN.

INS. LOSS

0.1MHz TO 1MHz	-1.1 dB MAX
1MHz TO 65MHz	-0.5 dB MAX
65MHz TO 100MHz	-0.8 dB MAX
100MHz TO 125MHz	-1.2 dB MAX

RET. LOSS (MIN)

0.5MHz-40MHz	-18 dB
40MHz-100MHz	-12+20LOG(f/80MHz) dB

CM TO CM REJ

100kHz - 100MHz -30 dB MIN

CM TO DM REJ

100kHz - 100MHz -35 dB MIN

HIPOT (Isolation Voltage):

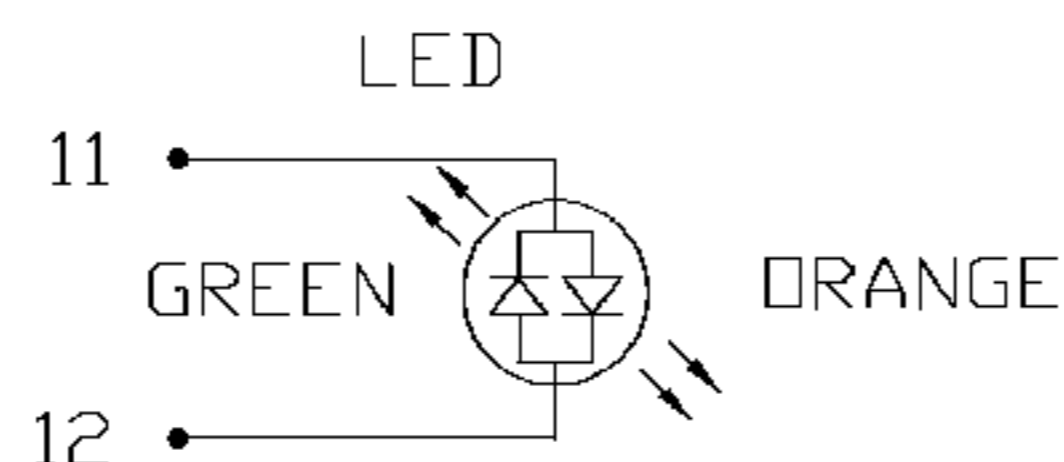
1500 Vrms

100% OF PRODUCTION TESTED TO COMPLY WITH IEEE 802.3 ISOLATION REQUIREMENTS.

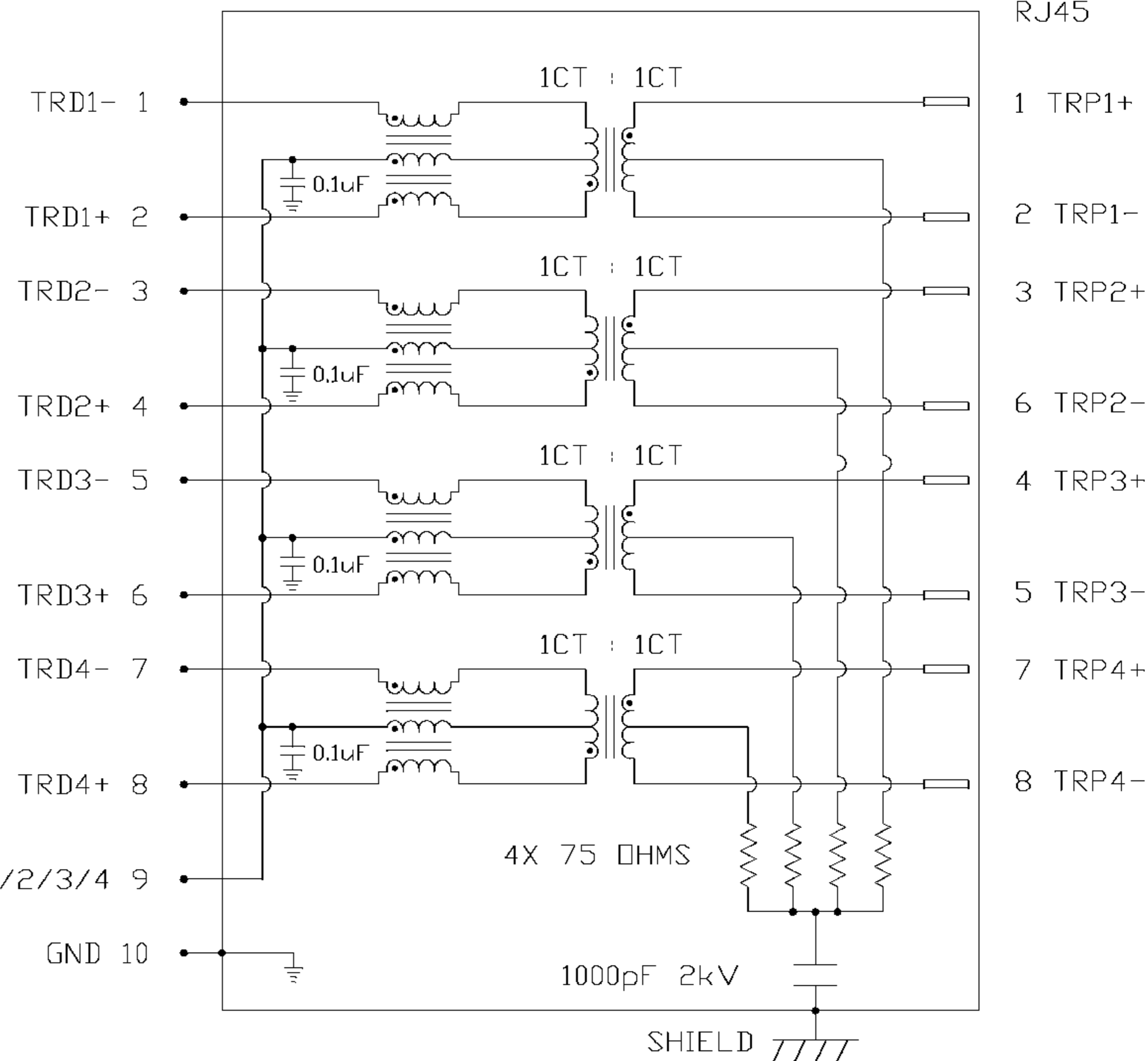
LED

VF (FORWARD VOLTAGE) IF=20mA GREEN 2.2V TYP.
ORANGE 2.0V TYP.

λD (DOMINANT WAVELENGTH) IF=20mA GREEN 565nm TYP.
ORANGE 610nm TYP.



SCHEMATIC



RJ45

1 TRP1+

2 TRP1-

3 TRP2+

6 TRP2-

4 TRP3+

5 TRP3-

7 TRP4+

8 TRP4-

TRDCT1/2/3/4 9

GND 10

4X 75 OHMS

1000pF 2kV

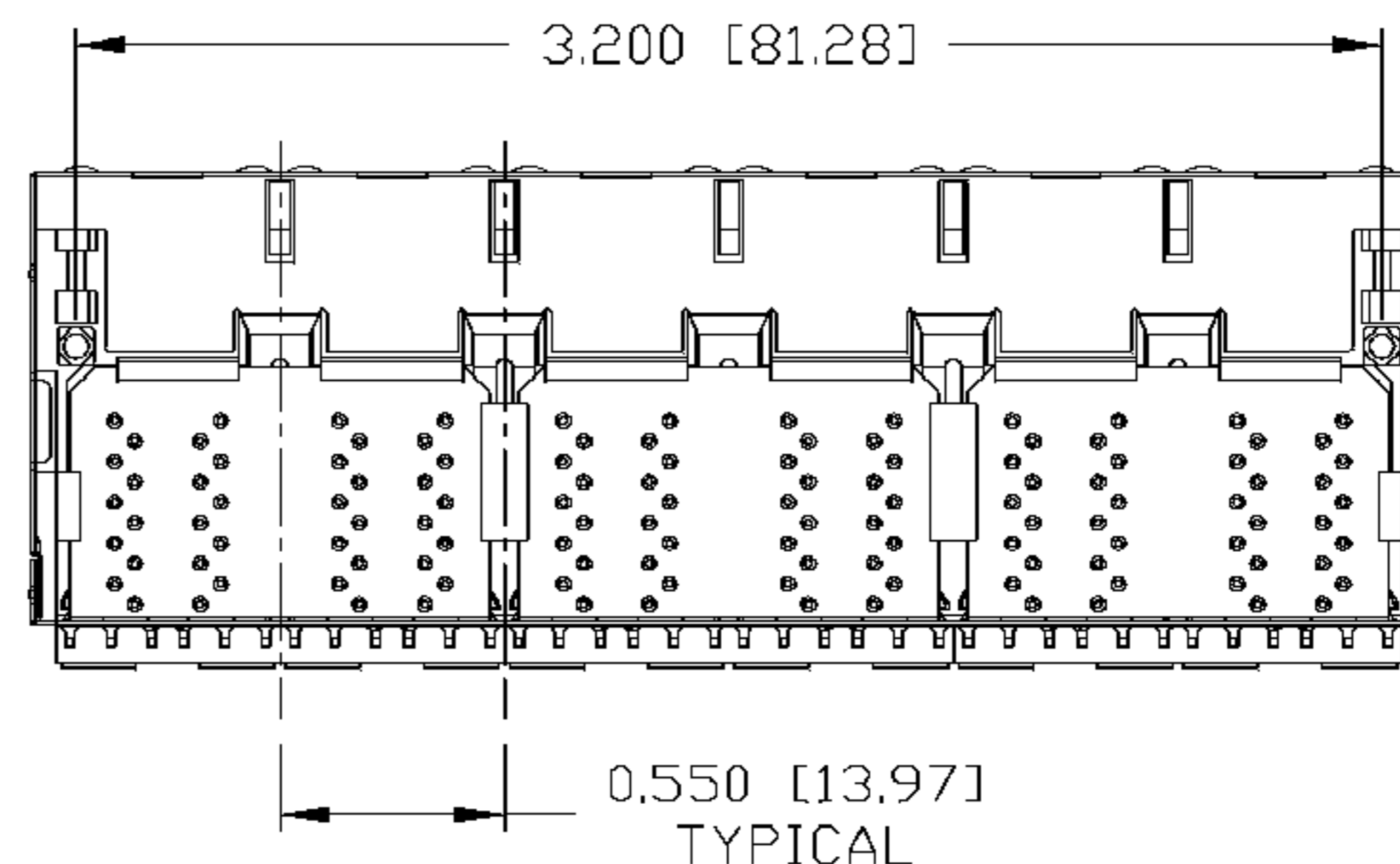
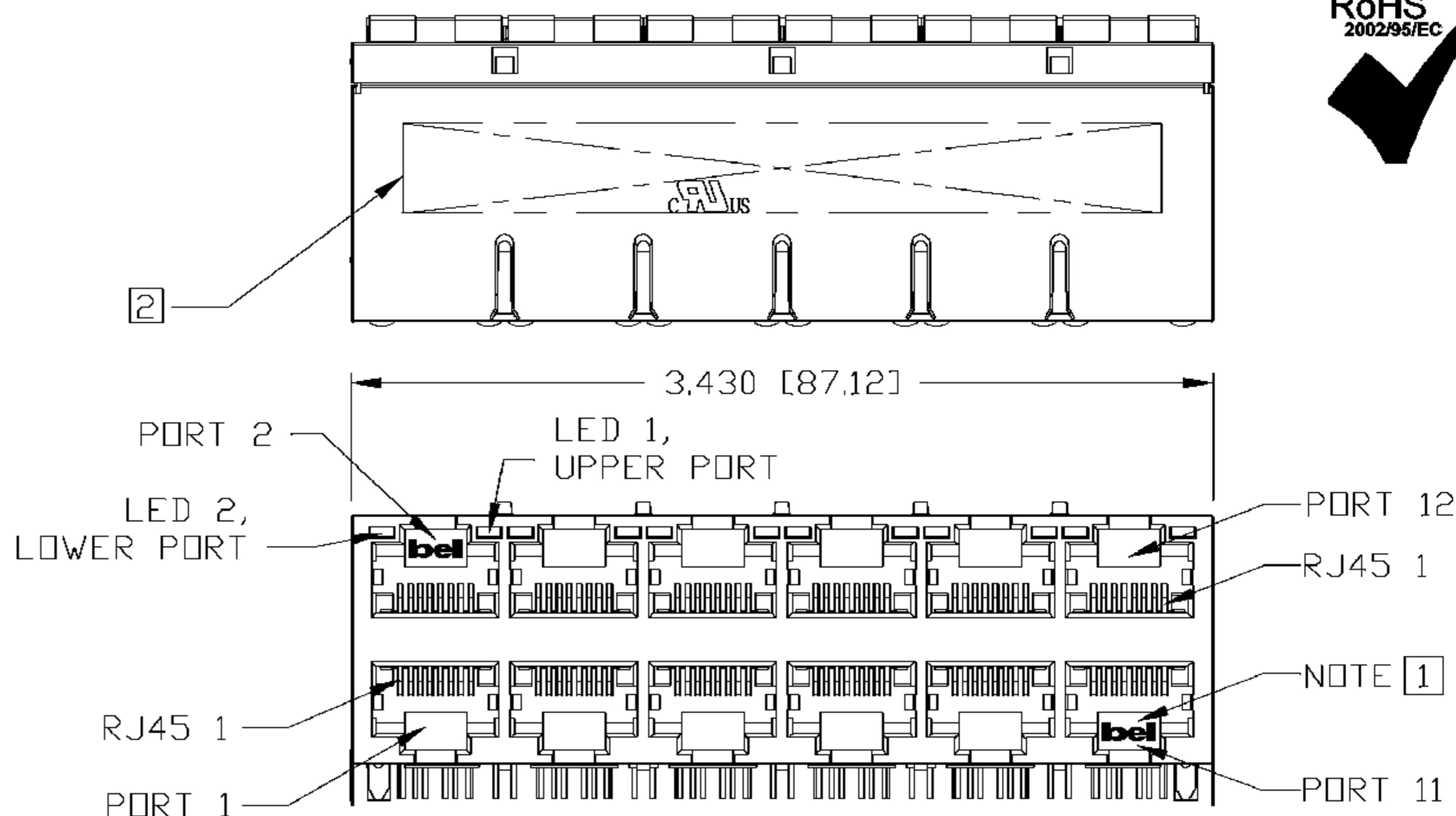
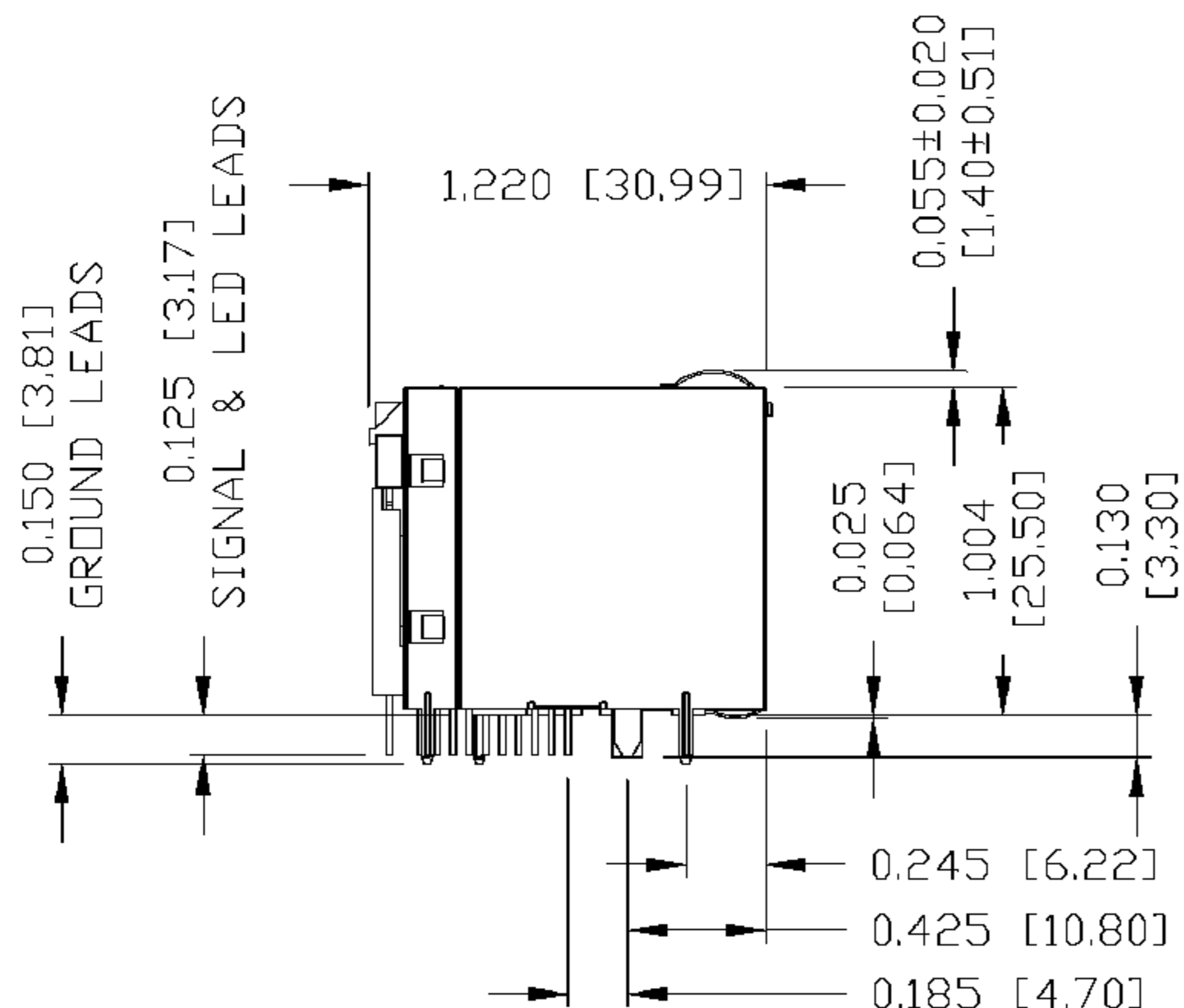
SHIELD TTTT

ORIGINATED BY	DATE	TITLE	PART NO. / DRAWING NO.	STANDARD DIM. TOL. IN INCH	[] METRIC DIM. AS REFERENCE
WCCHUNG	08-28-07	2X6 gigabit MagJack® (8 Cores, with LED) 0863-2X6C-54-F	08632X6C54-F	.X	UNIT : INCH [mm] REV. : A
DRAWN BY	DATE		FILE NAME	.XX	SCALE : N/A SIZE : A4
WEI DE LEE	08-28-07		08632X6C54-F_A.DWG	.XXX	PAGE : 2



THE INFORMATION CONTAINED HEREIN IS CONSIDERED "PROPRIETARY" TO BEL FUSE INC. AND SHALL NOT BE COPIED, REPRODUCED OR DISCLOSED WITHOUT THE WRITTEN APPROVAL OF BEL FUSE INC.

RoHS
2002/95/EC



NOTES:

PLASTIC HOUSING: THERMOPLASTIC PBT
FLAMMABILITY RATING UL 94V-0
CONTACT PLATING: 50 MICRO-INCH HARD GOLD PLATING
OUTPUT PINS: TIN-COATED COPPER WIRE, DIA 0.018 INCH.
METAL SHIELD: NICKEL PLATED ON COPPER ALLOY.
(ALL GROUND LEADS ARE SOLDER DIPPED)

- [1] JACK CAVITY CONFORMS TO FCC RULES AND REGULATIONS, PART 68 SUBPART F.
- [2] MARK PART WITH MFG LOGO, MFG NAME, PART NUMBER, AND DATE CODE.

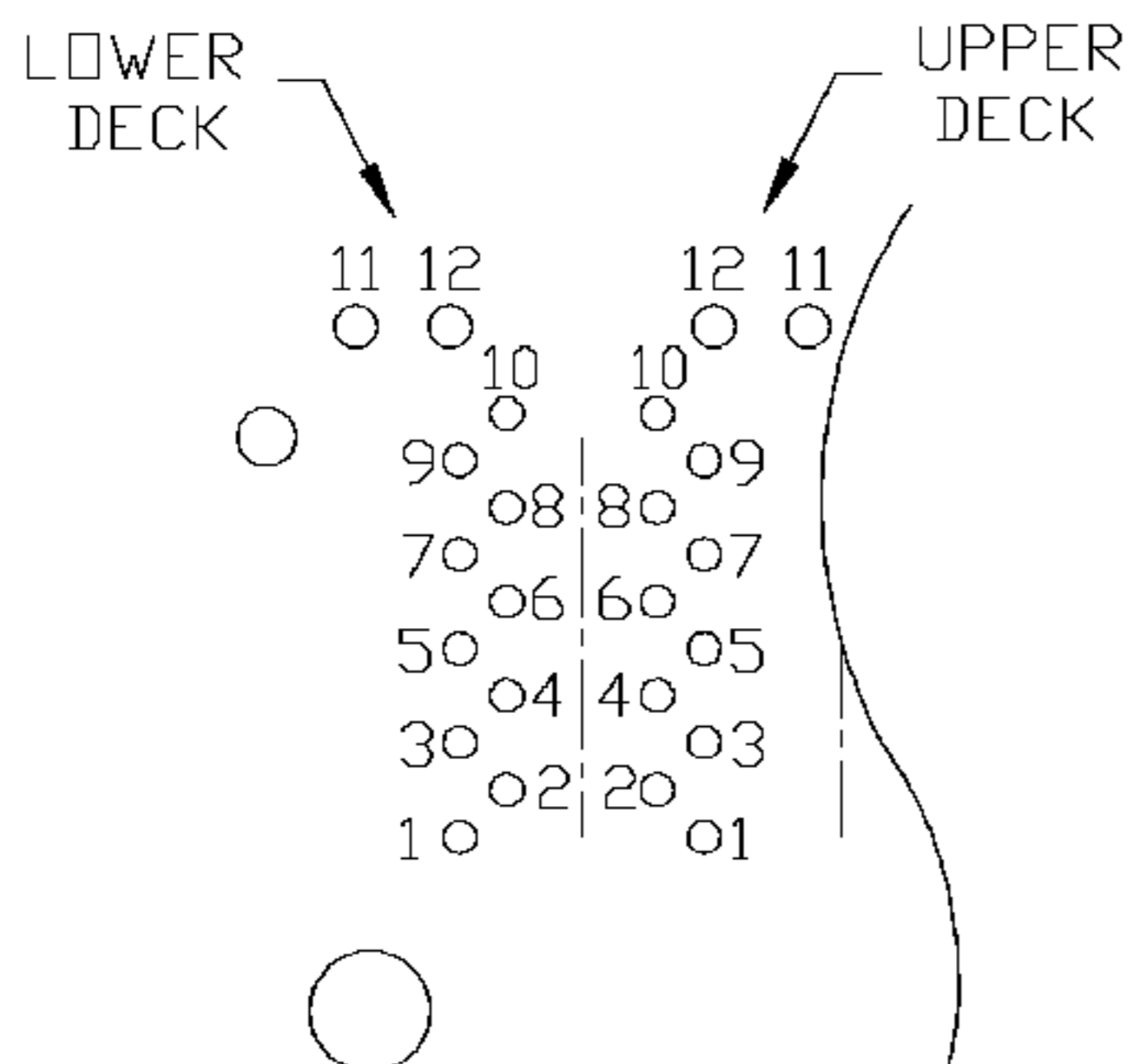
c UL RECOGNIZED - FILE #E196366 AND E169987.

3. RoHS COMPLIANCE, PER EU DIRECTIVE 2002/95/EC.

ORIGINATED BY LIU QIN	DATE 08-28-07	TITLE 2X6 gigabit MagJack® (8 Cores, with LED) 0863-2X6C-54-F	PART NO. / DRAWING NO. 08632X6C54-F	STANDARD DIM. TOL. IN INCH	[] METRIC DIM. AS REFERENCE		 COMPONENTS FOR A CONNECTED PLANET
DRAWN BY CHEN TING	DATE 08-28-07		FILE NAME 08632X6C54-F_A.DWG	.X .XX .XXX	±0.010	UNIT : INCH [mm]	
					SCALE : N/A	SIZE : A4	
						PAGE : 3	

THE INFORMATION CONTAINED HEREIN IS CONSIDERED
 "PROPRIETARY" TO BEL FUSE INC. AND SHALL NOT BE
 COPIED, REPRODUCED OR DISCLOSED WITHOUT THE
 WRITTEN APPROVAL OF BEL FUSE INC.

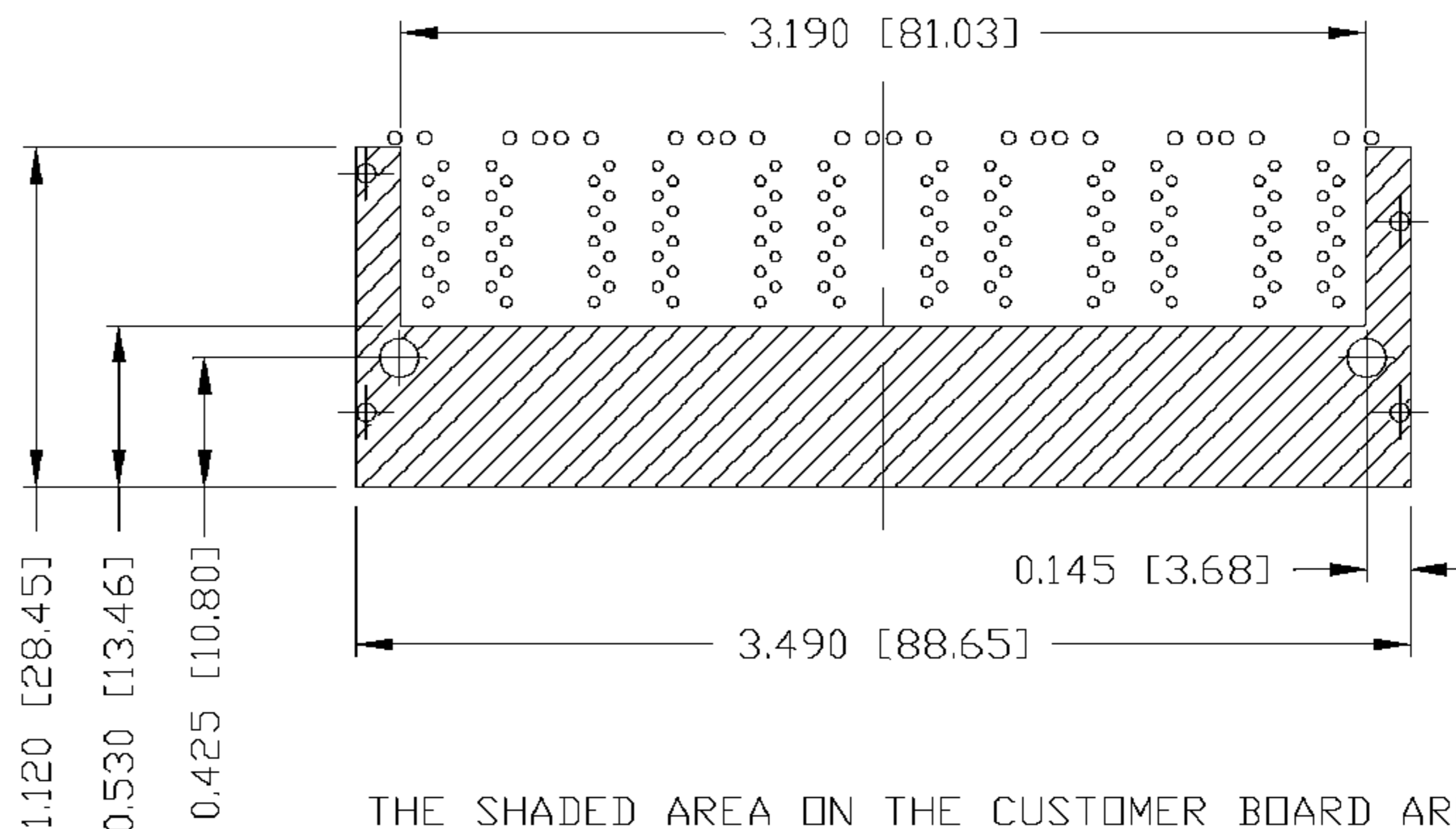
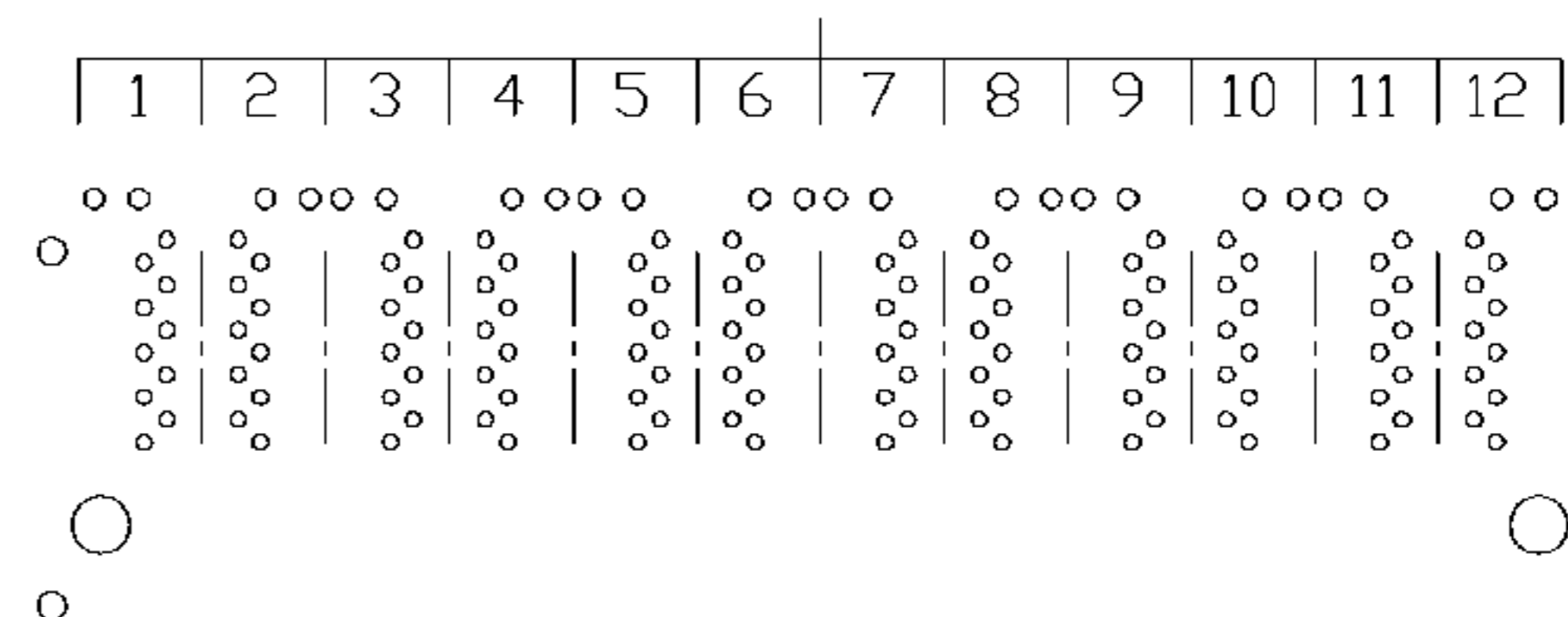
RoHS
 2002/95/EC



PIN-OUT INFORMATION
 (COMPONENT SIDE VIEW)

12	GRN (+)/ORG (-)
11	GRN (-)/ORG (+)
10	GND
9	TRCT1/2/3/4
8	TRD 4+
7	TRD 4-
6	TRD 3+
5	TRD 3-
4	TRD 2+
3	TRD 2-
2	TRD 1+
1	TRD 1-

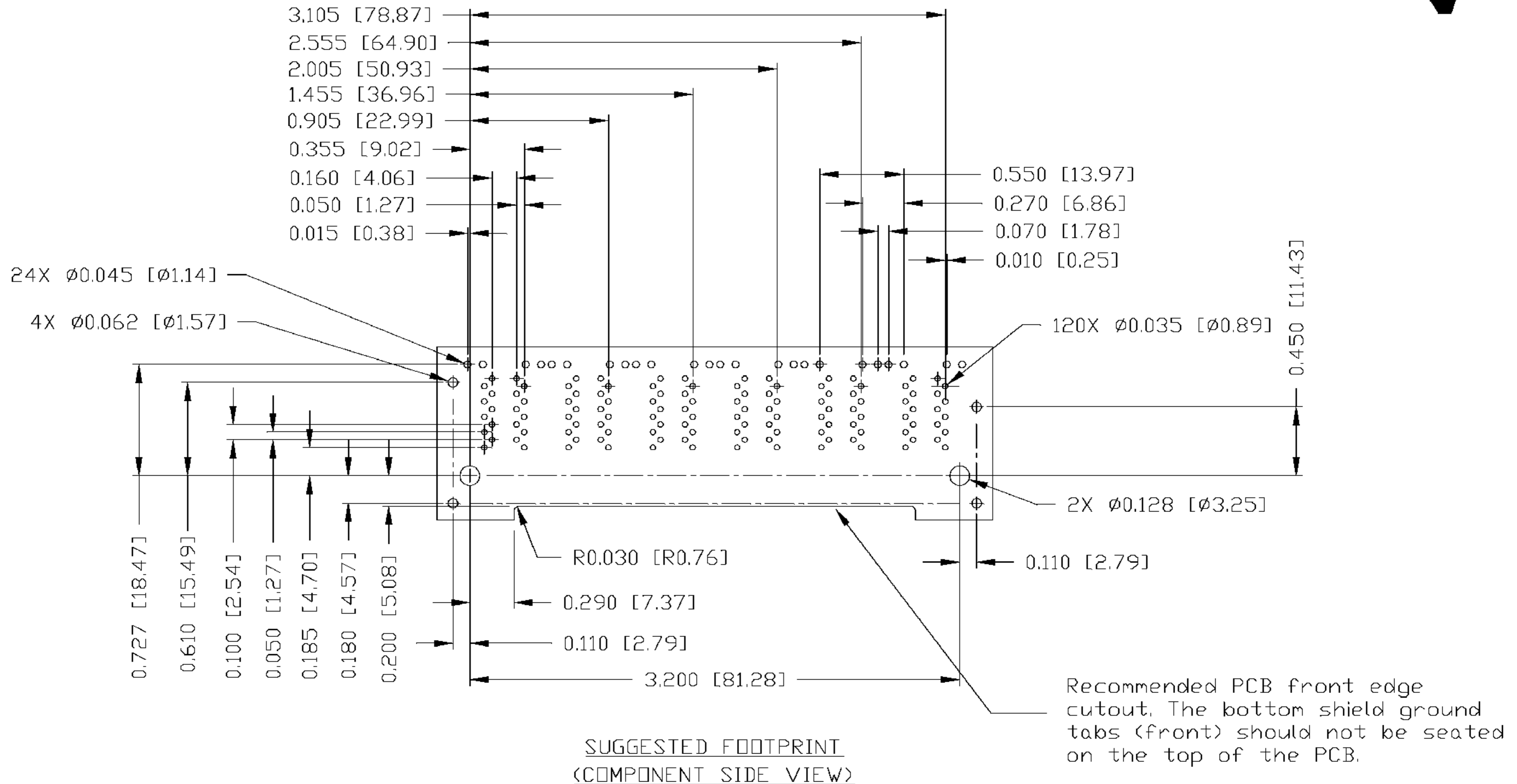
PORT ASSIGNMENT
 (COMPONENT SIDE VIEW)



THE SHADED AREA ON THE CUSTOMER BOARD ARE
 RECOMMENDED TO BE CLEAR OFF ANY VIA HOLE OR
 COMPONENT PAD.

ORIGINATED BY LIU QIN	DATE 08-28-07	TITLE 2X6 gigabit MagJack® (8 Cores, with LED) 0863-2X6C-54-F	PART NO. / DRAWING NO. 08632X6C54-F	STANDARD DIM. TOL. IN INCH	[] METRIC DIM. AS REFERENCE	 bel COMPONENTS FOR A CONNECTED PLANET
DRAWN BY CHEN TING	DATE 08-28-07		FILE NAME 08632X6C54-F_A.DWG	.X	UNIT : INCH [mm]	
			.XX	SCALE : N/A	SIZE : A4	
			.XXX	±0.004	PAGE : 4	

THE INFORMATION CONTAINED HEREIN IS CONSIDERED "PROPRIETARY" TO BEL FUSE INC. AND SHALL NOT BE COPIED, REPRODUCED OR DISCLOSED WITHOUT THE WRITTEN APPROVAL OF BEL FUSE INC.

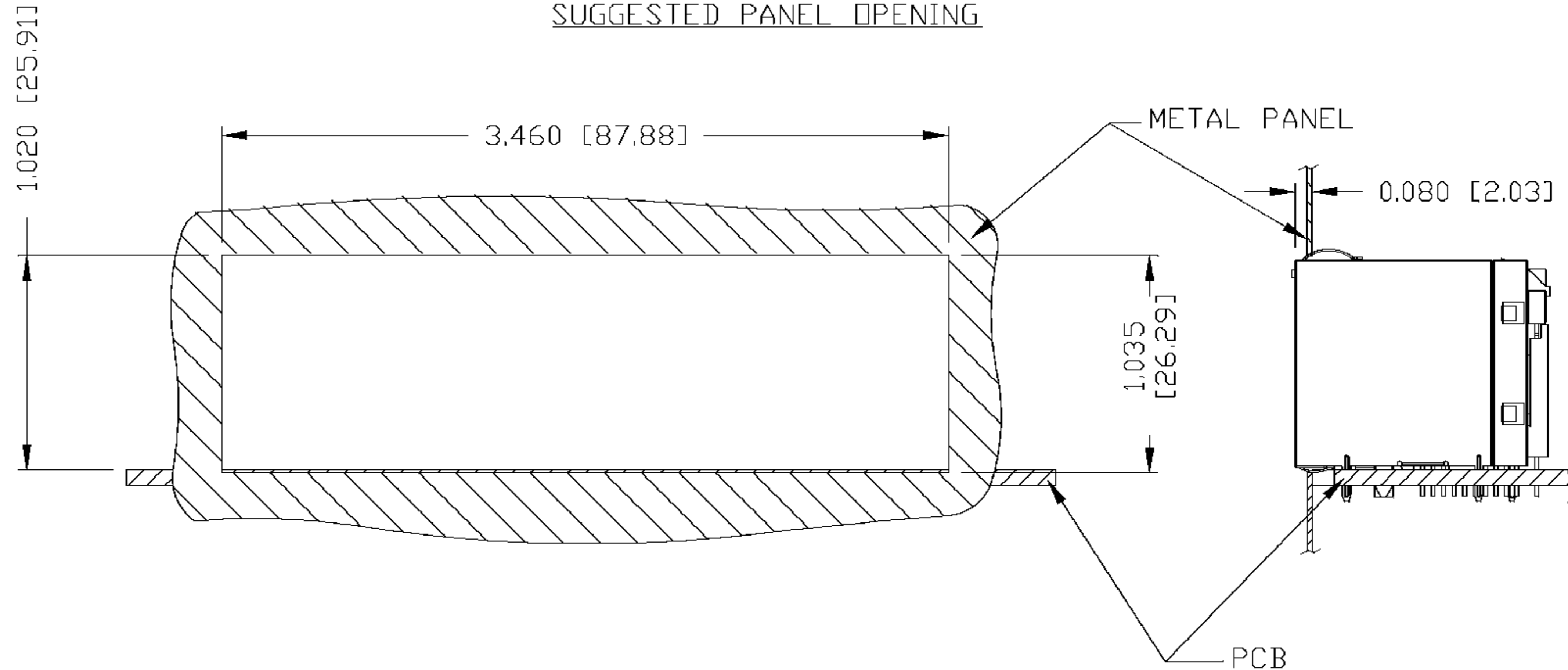


ORIGINATED BY LIU QIN	DATE 08-28-07	TITLE 2X6 gigabit MagJack® (8 Cores, with LED)	PART NO. / DRAWING NO. 08632X6C54-F	STANDARD DIM. TOL. IN INCH	[] METRIC DIM. AS REFERENCE
DRAWN BY CHEN TING	DATE 08-28-07	0863-2X6C-54-F	FILE NAME 08632X6C54-F_A.DWG	.X .XX .XXX	UNIT : INCH [mm] SCALE : N/A REV. : A SIZE : A4 PAGE : 5
				±0.004	

THE INFORMATION CONTAINED HEREIN IS CONSIDERED "PROPRIETARY" TO BEL FUSE INC. AND SHALL NOT BE COPIED, REPRODUCED OR DISCLOSED WITHOUT THE WRITTEN APPROVAL OF BEL FUSE INC.



SUGGESTED PANEL OPENING



NOTES:

THE DISTANCE OF PANEL INSIDE SURFACE RELATIVE TO FRONT SURFACE OF PART IS ONLY A SUGGESTION. IN CASE THIS DISTANCE IS DIFFERENT, THE REQUIRED PANEL OPENING DIMENSIONS CHANGE ACCORDINGLY.

PACKING INFORMATION

PACKING TRAY : 0200-9999-A9 (TOP)

0200-9999-B6 (BOTTOM)

PACKING QUANTITY : 15 PCS FINISHED GOODS PER TRAY

7 TRAYS (105 PCS FINISHED GOODS) PER CARTON BOX

NOTE : CARDBOARDS ARE PLACED BETWEEN LAYERS OF PACKING TRAY INSIDE CARTON BOX (INCLUDE THE UPPERMOST AND LOWERMOST TRAY)

ORIGINATED BY LIU QIN	DATE 08-28-07	TITLE 2X6 gigabit MagJack® (8 Cores, with LED)	PART NO. / DRAWING NO. 08632X6C54-F	STANDARD DIM. TOL. IN INCH	[] METRIC DIM. AS REFERENCE		bel COMPONENTS FOR A CONNECTED PLANET
DRAWN BY CHEN TING	DATE 08-28-07		FILE NAME 08632X6C54-F_A.DWG	.X .XX .XXX	UNIT : INCH [mm] SCALE : N/A	REV. : A SIZE : A4 PAGE : 6	