

THE INFORMATION CONTAINED HEREIN IS CONSIDERED "PROPRIETARY" TO BEL FUSE INC. AND SHALL NOT BE COPIED, REPRODUCED OR DISCLOSED WITHOUT THE WRITTEN APPROVAL OF BEL FUSE INC.

PRELIMINARY



ELECTRICAL CHARACTERISTICS @ 25°C

URNS RATIO

TP1	1CT : 1CT ±2%
TP2	1CT : 1CT ±2%
TP3	1CT : 1CT ±2%
TP4	1CT : 1CT ±2%

OCL @ 100kHz/100mVRMS

(-40°C - 85°C)	180µH MIN.
19mA DC BIAS (-40°C - 85°C)	120µH MIN.

RET. LOSS (MIN)

1MHz-40MHz	-18 dB MIN
40MHz-250MHz	-18+10LOG10(f/40MHz) dB MIN

CM TO CM REJ

100kHz - 100MHz	-30 dB MIN
-----------------	------------

CM TO DM REJ

100kHz - 100MHz	-35 dB MIN
-----------------	------------

HIPOT (Isolation Voltage): 2250 VDC

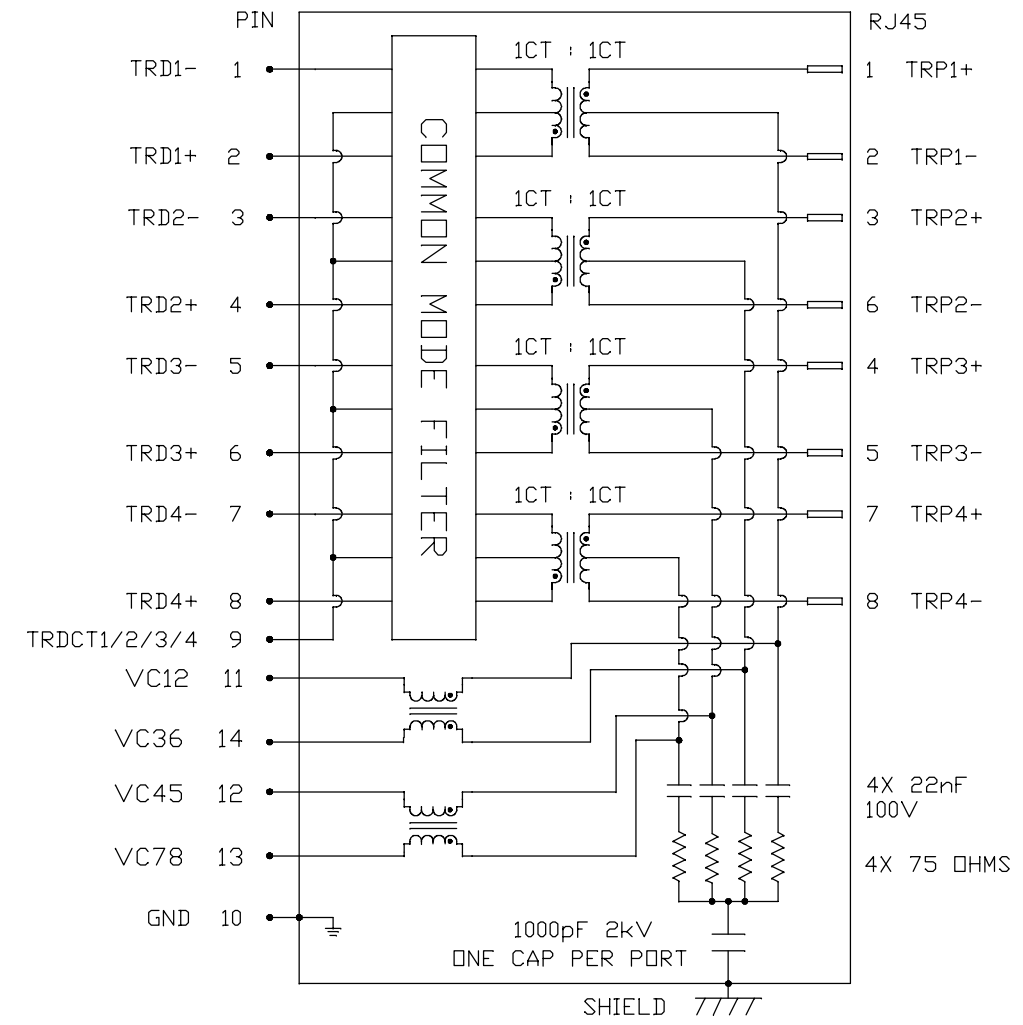
100% OF PRODUCTION TESTED TO COMPLY WITH IEEE 802.3 ISOLATION REQUIREMENTS.

NOTE: PORT-TO-PORT ISOLATION NOT INCLUDED .

BALANCED DC LINE CURRENT 600mA MAX. CONTINUOUS  
1.2A MAX. FOR 200 MILLISECONDS

OPERATING TEMPERATURE: -40°C TO +85°C.

SCHEMATIC



REV. : PB PAGE : 2

ORIGINATED BY  
CHOW WANCHUNG  
DATE 2019-03-29

DRAWN BY  
XIE YIMING  
DATE 2019-03-29

TITLE  
2X4 5 Gigabit MagJack®  
60W 4PPoE  
0854-2X4R-JVA-F  
PATENTED

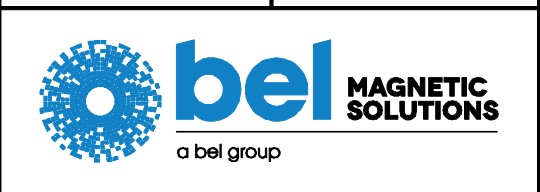
PART NO. / DRAWING NO.  
08542X4RJVAF

FILE NAME  
08542X4RJVAF\_PB.DWG

STANDARD DIM.  
TOL. IN INCH

[ ] METRIC DIM.  
AS REF.

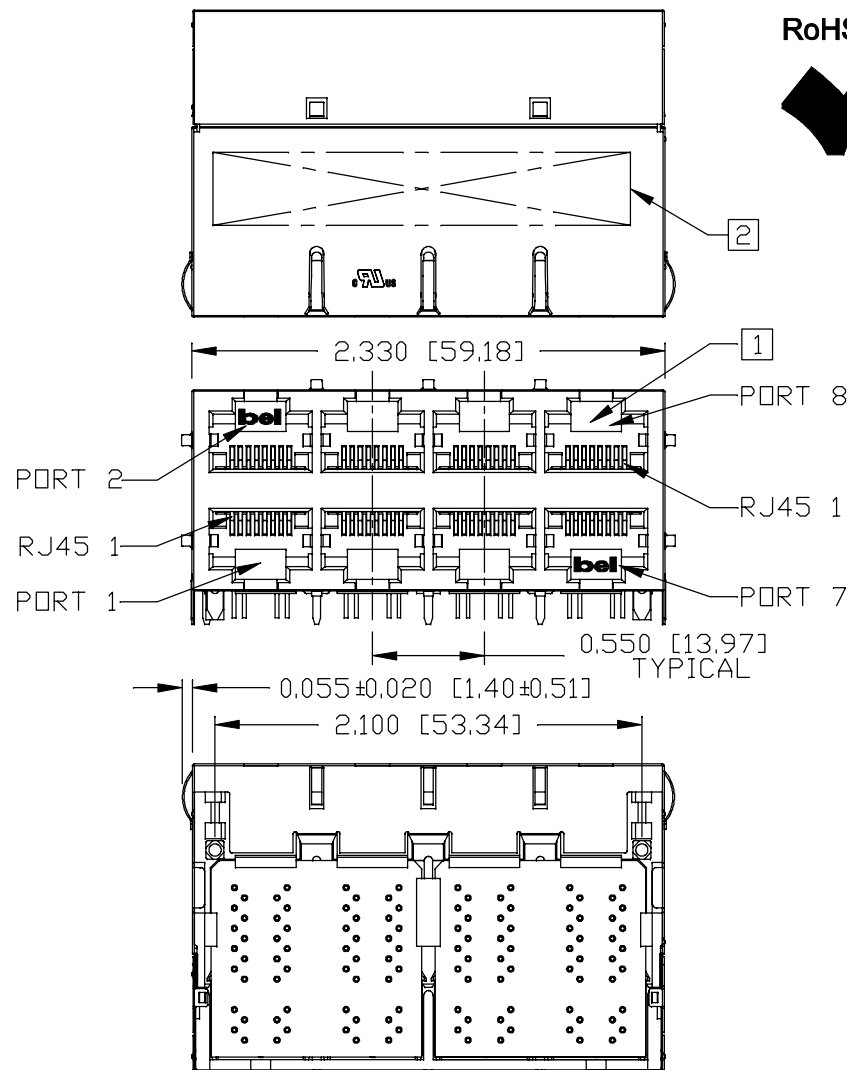
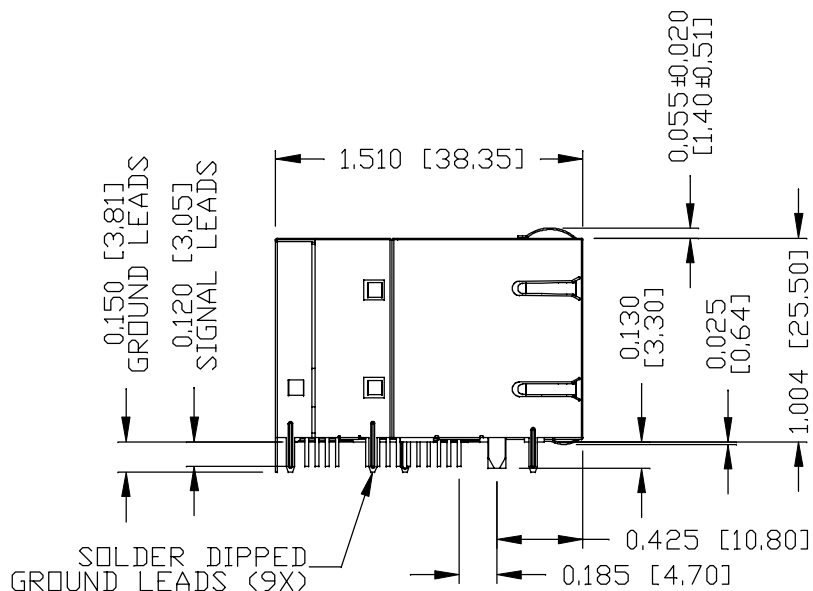
UNIT : INCH [mm]  
SCALE : N/A  
SIZE : A4



THE INFORMATION CONTAINED HEREIN IS CONSIDERED "PROPRIETARY" TO BEL FUSE INC. AND SHALL NOT BE COPIED, REPRODUCED OR DISCLOSED WITHOUT THE WRITTEN APPROVAL OF BEL FUSE INC.

PRELIMINARY

RoHS



NOTES:

- PLASTIC HOUSING: THERMOPLASTIC PBT, BLACK  
FLAMMABILITY RATING UL 94V-0
- CONTACT PLATING: 50 MICRO-INCH HARD GOLD PLATING OR EQUIVALENT.
- OUTPUT PINS: TIN-COATED COPPER WIRE, DIA 0.018 INCH,  
100 MICRO-INCH MIN MATTE TIN, PINS ARE SOLDER DIPPED.
- METAL SHIELD: NICKEL PLATED ON COPPER ALLOY,  
(ALL GROUND LEADS ARE SOLDER DIPPED)

1 JACK CAVITY CONFORMS TO FCC RULES AND REGULATIONS, PART 68 SUBPART F.

2. MARK PART WITH MFG LOGO, MFG NAME, PART NUMBER, DATE CODE AND PATENTED.

3. THE PRODUCT IS RoHS COMPLIANCE.

UL RECOGNIZED - FILE #E196366 AND E169987.

4. THE PRODUCT IS PATENTED. THE PATENT NUMBER ARE U.S. PAT. 6,840,817 AND U.S. PAT.7,123,117.

5. THE PART IS RECOMMENDED FOR WAVE SOLDERING. THE SUGGESTED PEAK WAVE SOLDERING CONDITION IS 260°C MAX. AND 10 SECONDS MAX.,

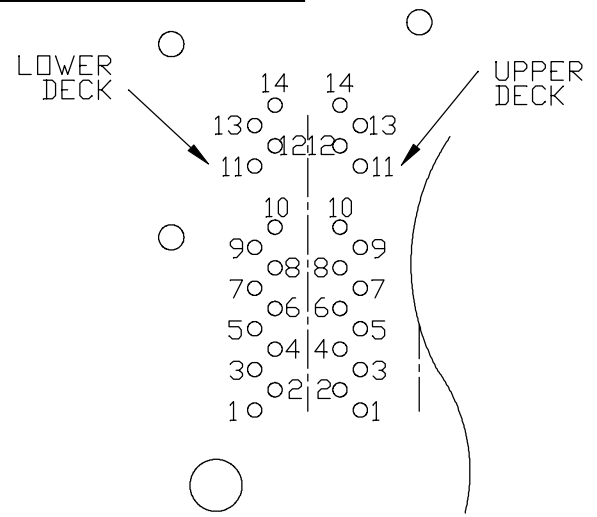
ORIGINATED BY ANTON LIAO DATE 2019-03-29	TITLE 2X4 5 Gigabit MagJack® 60W 4PPoE 0854-2X4R-JVA-F PATENTED	PART NO. / DRAWING NO. 08542X4RJVAF	STANDARD DIM. TOL. IN INCH .X .XX .XXX	[ ] METRIC DIM. AS REF. UNIT : INCH [mm] SCALE : N/A SIZE : A4
DRAWN BY SANDY LIN DATE 2019-03-29		FILE NAME 08542X4RJVAF_PB.DWG	±0.010	

REV. : PB	PAGE : 3
-----------	----------



THE INFORMATION CONTAINED HEREIN IS CONSIDERED "PROPRIETARY" TO BEL FUSE INC. AND SHALL NOT BE COPIED, REPRODUCED OR DISCLOSED WITHOUT THE WRITTEN APPROVAL OF BEL FUSE INC.

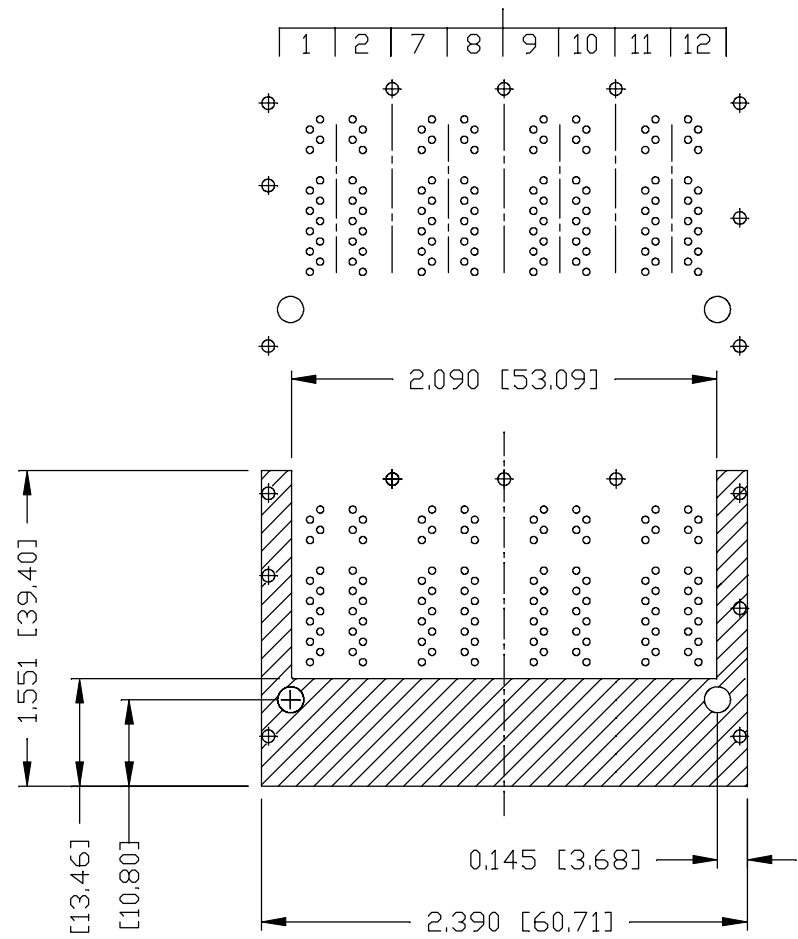
PRELIMINARY



PIN-OUT INFORMATION  
(COMPONENT SIDE VIEW)

14	VC36
13	VC78
12	VC45
11	VC12
10	GND
9	TRDCT1/2/3/4
8	TRD 4+
7	TRD 4-
6	TRD 3+
5	TRD 3-
4	TRD 2+
3	TRD 2-
2	TRD 1+
1	TRD 1-

PORT ASSIGNMENT  
(COMPONENT SIDE VIEW)



THE SHADED AREA ON THE CUSTOMER BOARD ARE RECOMMENDED TO BE CLEAR OFF ANY VIA HOLE OR COMPONENT PAD.

ORIGINATED BY  
ANTON LIAO  
DATE 2019-03-29

DRAWN BY  
SANDY LIN  
DATE 2019-03-29

TITLE  
2X4 5 Gigabit MagJack®  
60W 4PPoE  
0854-2X4R-JVA-F  
PATENTED

PART NO. / DRAWING NO.  
08542X4RJVAF

FILE NAME  
08542X4RJVAF\_PB.DWG

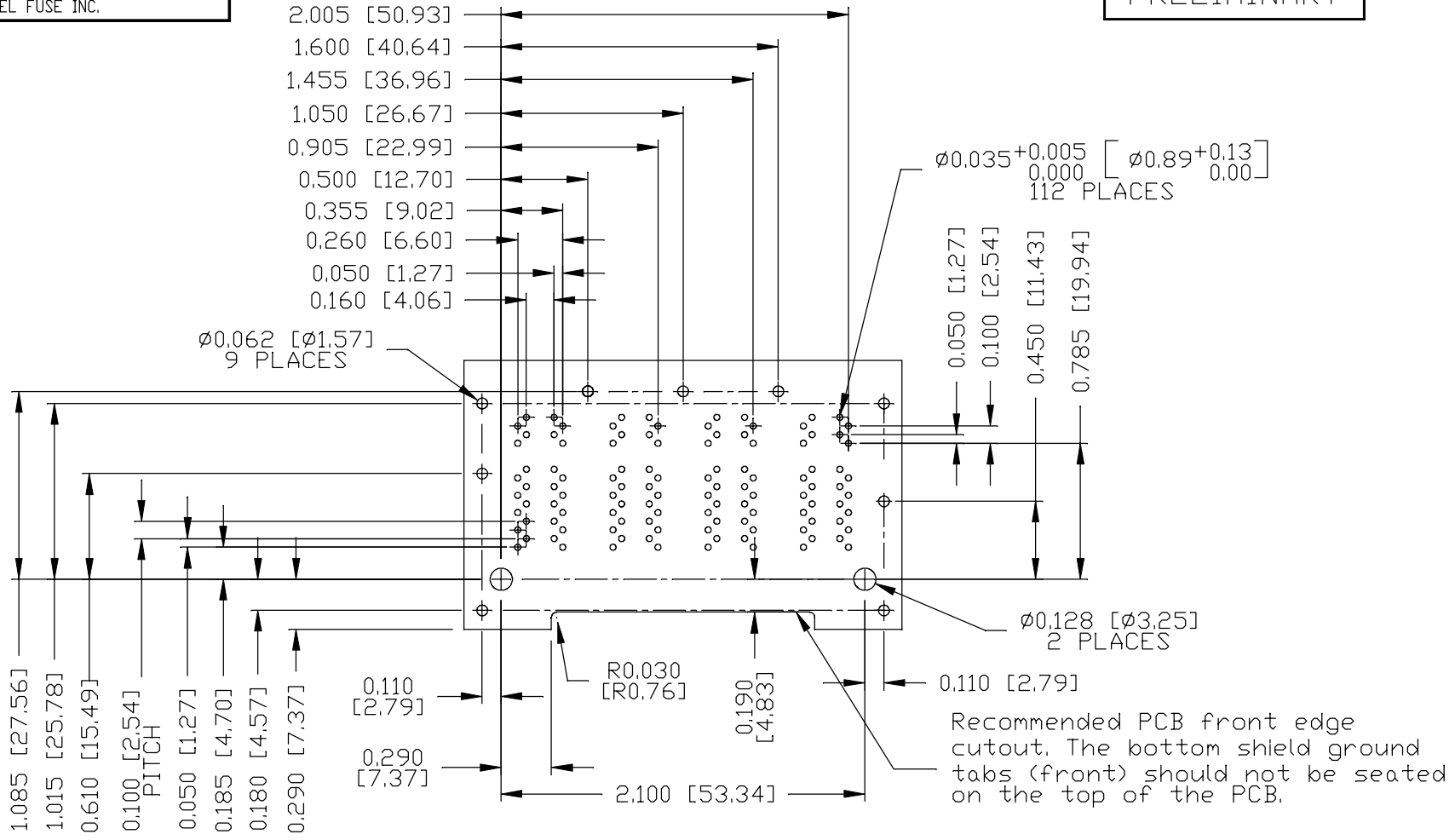
STANDARD DIM. TOL. IN INCH	[ ] METRIC DIM. AS REF.
.X	UNIT : INCH [mm]
.XX	SCALE : N/A
.XXX ±0.004	SIZE : A4

REV. : PB PAGE : 4



THE INFORMATION CONTAINED HEREIN IS CONSIDERED "PROPRIETARY" TO BEL FUSE INC. AND SHALL NOT BE COPIED, REPRODUCED OR DISCLOSED WITHOUT THE WRITTEN APPROVAL OF BEL FUSE INC.

PRELIMINARY



SUGGESTED FOOTPRINT  
(COMPONENT SIDE VIEW)

REV. : PB PAGE : 5

ORIGINATED BY  
ANTON LIAO  
DATE 2019-03-29  
DRAWN BY  
SANDY LIN  
DATE 2019-03-29

TITLE  
2X4 5 Gigabit MagJack®  
60W 4PPoE  
0854-2X4R-JVA-F  
PATENTED

PART NO. / DRAWING NO.  
08542X4RJVAF  
FILE NAME  
08542X4RJVAF\_PB.DWG

STANDARD DIM. TOL. IN INCH	[ ] METRIC DIM. AS REF.
.X	UNIT : INCH [mm]
.XX	SCALE : N/A
.XXX ±0.004	SIZE : A4

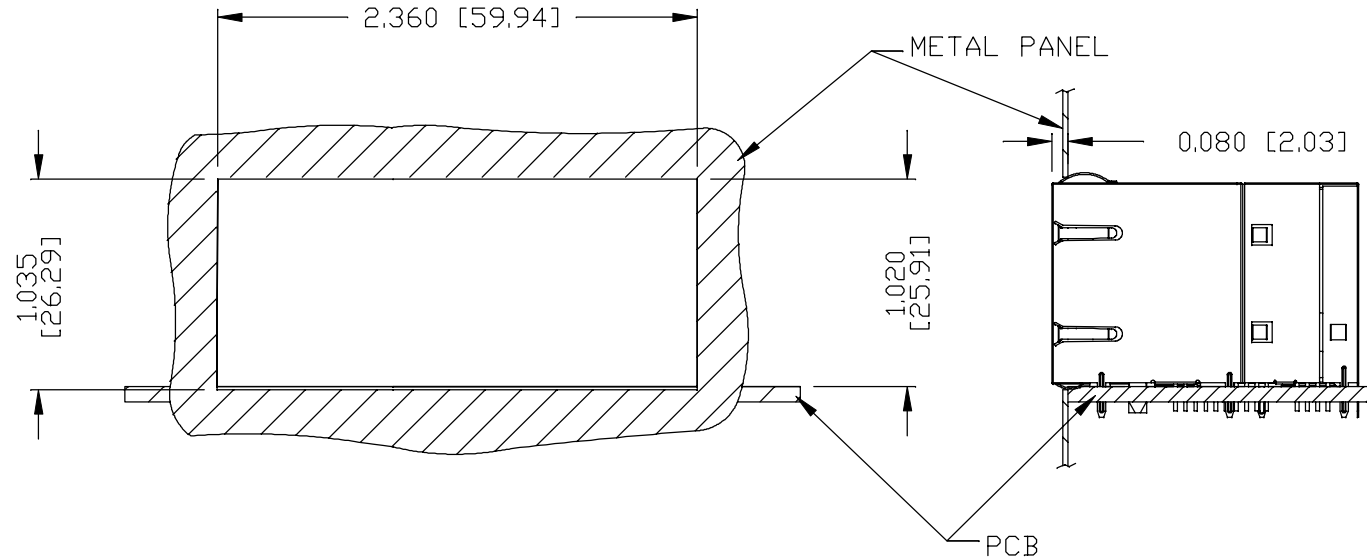


THE INFORMATION CONTAINED HEREIN IS CONSIDERED "PROPRIETARY" TO BEL FUSE INC. AND SHALL NOT BE COPIED, REPRODUCED OR DISCLOSED WITHOUT THE WRITTEN APPROVAL OF BEL FUSE INC.

SUGGESTED PANEL OPENING

PRELIMINARY

RoHS



NOTE:

THE DISTANCE OF PANEL INSIDE SURFACE RELATIVE TO FRONT SURFACE OF PART IS ONLY A SUGGESTION. IN CASE THIS DISTANCE IS DIFFERENT, THE REQUIRED PANEL OPENING DIMENSIONS CHANGE ACCORDINGLY.

PACKING INFORMATION

PACKING TRAY : 0200-9999-G2 (TOP)

0200-9999-G3 (BOTTOM)

PACKING QUANTITY : 20 PCS FINISHED GOODS PER TRAY.

5 TRAYS (100 PCS FINISHED GOODS) PER CARTON BOX.

NOTE : CARDBOARDS ARE PLACED BETWEEN LAYERS OF PACKING TRAY INSIDE CARTON BOX.

(INCLUDE THE UPPERMOST AND LOWERMOST TRAY)

REV. : PB PAGE : 6

<b>ORIGINATED BY</b> ANTON LIAO <b>DATE</b> 2019-03-29	<b>TITLE</b> 2X4 5 Gigabit MagJack® 60W 4PPoE 0854-2X4R-JVA-F PATENTED	<b>PART NO. / DRAWING NO.</b> 08542X4RJVAF	<b>STANDARD DIM. TOL. IN INCH</b> .X	<b>[ ] METRIC DIM. AS REF.</b>
		<b>FILE NAME</b> 08542X4RJVAF_PB.DWG	.XX	<b>UNIT : INCH [mm]</b>
			.XXX ±0.005	<b>SCALE : N/A</b>
<b>DRAWN BY</b> SANDY LIN <b>DATE</b> 2019-03-29				<b>SIZE : A4</b>

