

THE INFORMATION CONTAINED HEREIN IS CONSIDERED "PROPRIETARY" TO BEL FUSE INC. AND SHALL NOT BE COPIED, REPRODUCED OR DISCLOSED WITHOUT THE WRITTEN APPROVAL OF BEL FUSE INC.

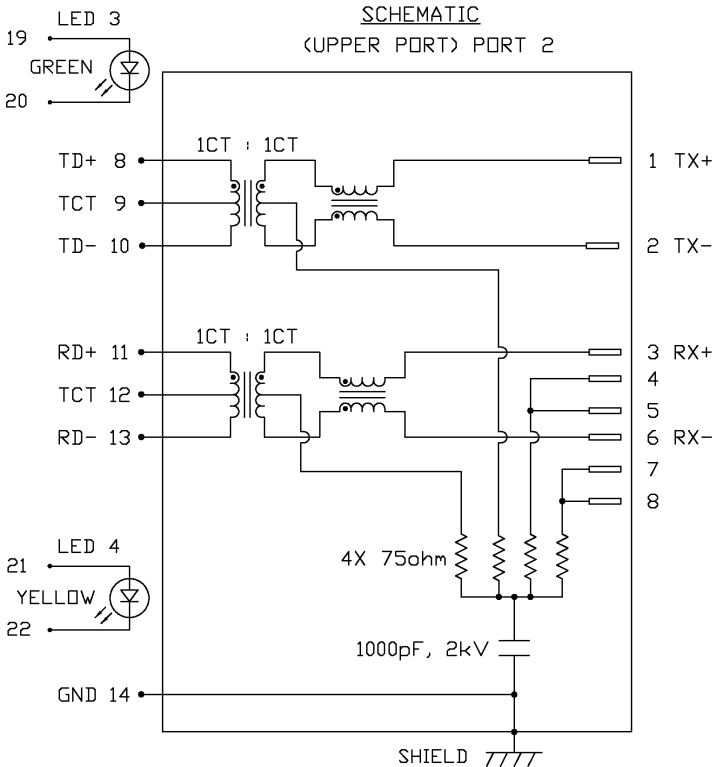


LED 3 POLARITY			LED 4 POLARITY		
PIN 19	PIN 20	COLOR	PIN 21	PIN 22	COLOR
+	-	GREEN	+	-	YELLOW

ELECTRICAL CHARACTERISTICS @ 25°C

URNS RATIO

TX	1CT : 1CT ±3%
RX	1CT : 1CT ±3%
DCL @ 100kHz/100mVRMS 8mA DC BIAS	350µH MIN.
INS. LOSS	
1MHZ TO 100MHZ	-1.0 dB MAX
RET. LOSS (MIN)	
1MHZ-30MHz	-18 dB
30MHz-60MHz	-18+20LOG(F/30MHz) dB
60MHz-80MHz	-12 dB
CROSS TALK (TX - RX)	
500kHz-1MHz	-70 dB MIN
10 MHz	-50 dB MIN
30 MHz	-45 dB MIN
50 MHz	-40 dB MIN
100 MHz	-35 dB MIN
CM TO CM REJ	
100kHz-1MHz	-70 dB MIN
10 MHz	-47 dB MIN
30 MHz	-42 dB MIN
60 MHz	-37 dB MIN
100 MHz	-30 dB MIN
CM TO DM REJ	
100kHz-1MHz	-70 dB MIN
10 MHz	-60 dB MIN
30 MHz	-50 dB MIN
60 MHz	-45 dB MIN
100 MHz	-40 dB MIN
HIPOT (Isolation Voltage): LED 3 (Super bright)	1500 Vrms or 2250VDC
VF (FORWARD VOLTAGE)	IF=20mA GREEN 2.2V TYP.
λD (DOMINANT WAVELENGTH)	IF=20mA GREEN 565nm TYP.
LED 4 (Super bright)	
VF (FORWARD VOLTAGE)	IF=20mA YELLOW 2.1V TYP.
λD (DOMINANT WAVELENGTH)	IF=20mA YELLOW 590nm TYP.



ORIGINATED BY	DATE	TITLE	PART NO. / DRAWING NO.	STANDARD DIM. TOL. IN INCH	[] METRIC DIM. AS REFERENCE
CHUNG	05-09-06	2X1 MagJack® (with LED)	0845-2A1T-H5	.X	UNIT : INCH [mm]
DRAWN BY	DATE		FILE NAME	.XX	SCALE : N/A
DE	05-09-06		08452A1TH5A.DWG	.XXX	SIZE : A4
					PAGE : 2



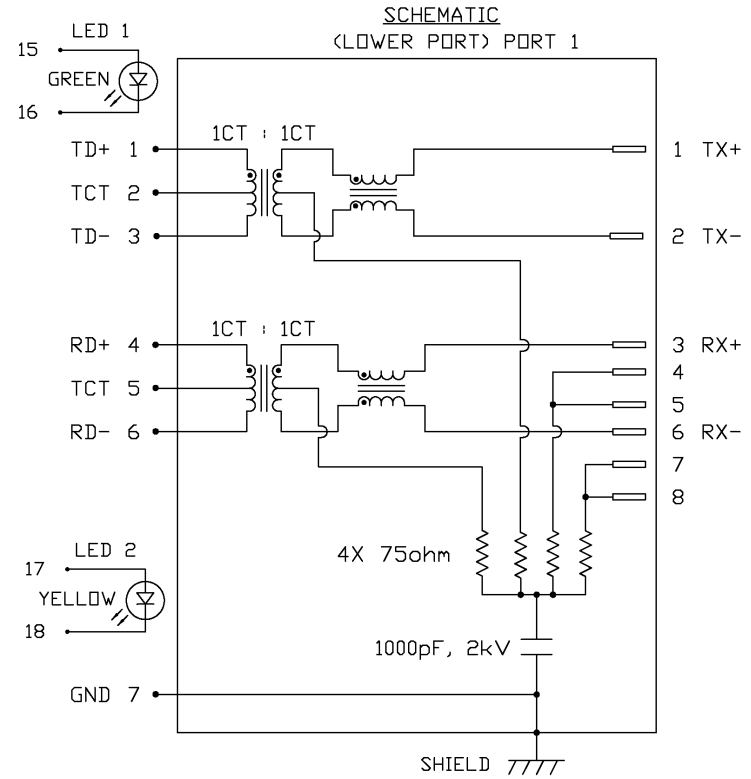
THE INFORMATION CONTAINED HEREIN IS CONSIDERED "PROPRIETARY" TO BEL FUSE INC. AND SHALL NOT BE COPIED, REPRODUCED OR DISCLOSED WITHOUT THE WRITTEN APPROVAL OF BEL FUSE INC.



LED 1 POLARITY			LED 2 POLARITY		
PIN 15	PIN 16	COLOR	PIN 17	PIN 18	COLOR
+	-	GREEN	+	-	YELLOW

ELECTRICAL CHARACTERISTICS @ 25°C

URNS RATIO	
TX	1CT : 1CT ±3%
RX	1CT : 1CT ±3%
DCL @ 100kHz/100mVRMS	
8mA DC BIAS	350µH MIN.
INS. LOSS	
1MHZ TO 100MHz	-1.0 dB MAX
RET. LOSS (MIN)	
1MHZ-30MHz	-18 dB
30MHz-60MHz	-18+20LOG(F/30MHz) dB
60MHz-80MHz	-12 dB
CROSS TALK (TX - RX)	
500kHz-1MHz	-70 dB MIN
10 MHz	-50 dB MIN
30 MHz	-45 dB MIN
50 MHz	-40 dB MIN
100 MHz	-35 dB MIN
CM TO CM REJ	
100kHz-1MHz	-70 dB MIN
10 MHz	-47 dB MIN
30 MHz	-42 dB MIN
60 MHz	-37 dB MIN
100 MHz	-30 dB MIN
CM TO DM REJ	
100kHz-1MHz	-70 dB MIN
10 MHz	-60 dB MIN
30 MHz	-50 dB MIN
60 MHz	-45 dB MIN
100 MHz	-40 dB MIN
HIPOT (Isolation Voltage):	
	1500 Vrms or 2250VDC
LED 1	
V _F (FORWARD VOLTAGE)	IF=20mA GREEN 2.2V TYP.
λ _D (DOMINANT WAVELENGTH)	IF=20mA GREEN 565nm TYP.
LED 2	
V _F (FORWARD VOLTAGE)	IF=20mA YELLOW 2.1V TYP.
λ _D (DOMINANT WAVELENGTH)	IF=20mA YELLOW 590nm TYP.

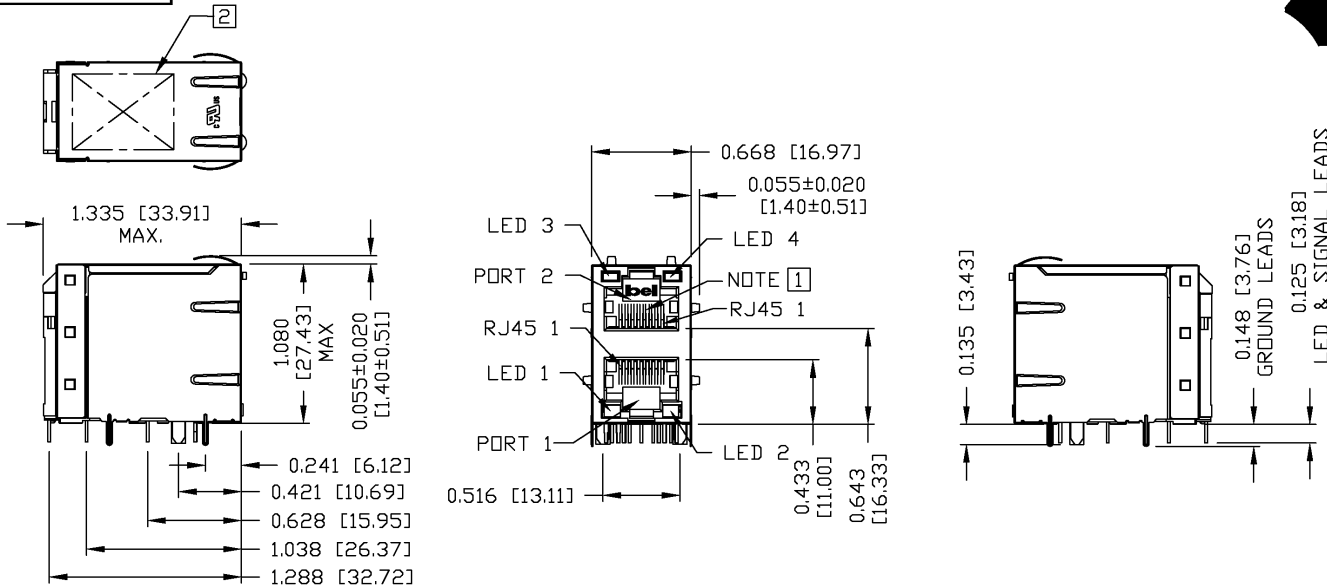


ORIGINATED BY	DATE	TITLE	PART NO. / DRAWING NO.	STANDARD DIM. TOL. IN INCH	[] METRIC DIM. AS REFERENCE
CHUNG	05-09-06	2X1 MagJack® (with LED)	0845-2A1T-H5	.X	UNIT : INCH [mm] REV. : A
DRAWN BY	DATE		FILE NAME	.XX	SCALE : N/A SIZE : A4
DE	05-09-06		08452A1TH5A.DWG	.XXX	PAGE : 3



THE INFORMATION CONTAINED HEREIN IS CONSIDERED "PROPRIETARY" TO BEL FUSE INC. AND SHALL NOT BE COPIED, REPRODUCED OR DISCLOSED WITHOUT THE WRITTEN APPROVAL OF BEL FUSE INC.

RoHS
2002/95/EC



NOTES:

PLASTIC HOUSING: THERMOPLASTIC PBT
FLAMMABILITY RATING UL 94V-0

CONTACT PLATING: 50 MICRO-INCH HARD GOLD PLATING

OUTPUT PINS: TIN-COATED COPPER WIRE, DIA 0.018 INCH.

METAL SHIELD: NICKEL PLATED ON COPPER ALLOY.
(ALL GROUND LEADS ARE SOLDER DIPPED)

1. JACK CAVITY CONFORMS TO FCC RULES AND REGULATIONS, PART 68 SUBPART F.

2. MARK PART WITH MFG LOGO, MFG NAME, PART NUMBER, AND DATE CODE.

RoHS COMPLIANCE, PER EU DIRECTIVE 2002/95/EC.

c UL RECOGNIZED - FILE #E196366 AND E169987.

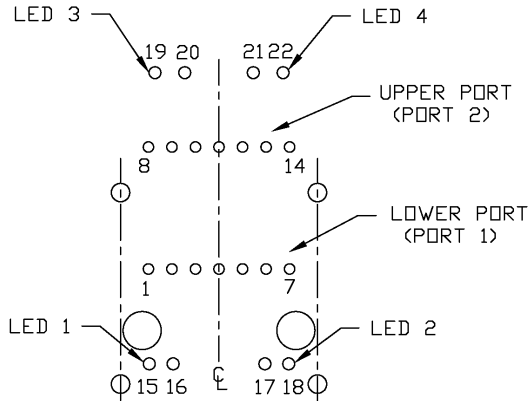
ORIGINATED BY BILL/KEUNG	DATE 05-09-06	TITLE 2X1 MagJack® (with LED)	PART NO. / DRAWING NO. 0845-2A1T-H5	STANDARD DIM. TOL. IN INCH	[] METRIC DIM. AS REFERENCE
				.X	UNIT : INCH [mm]
DRAWN BY QIN	DATE 05-09-06		FILE NAME 08452A1TH5A.DWG	.XX	SCALE : N/A
				.XXX ±0.010	SIZE : A4
					REV. : A
					SIZE : A4
					PAGE : 4



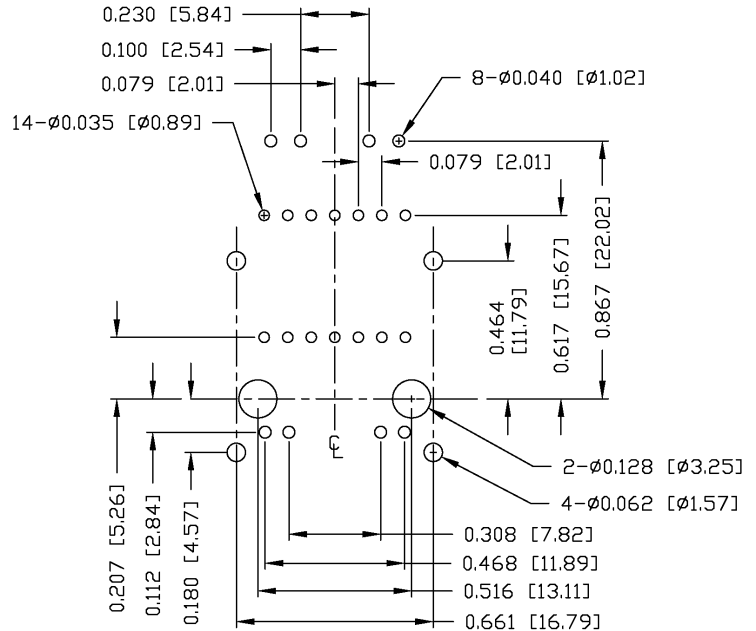
THE INFORMATION CONTAINED HEREIN IS CONSIDERED "PROPRIETARY" TO BEL FUSE INC. AND SHALL NOT BE COPIED, REPRODUCED OR DISCLOSED WITHOUT THE WRITTEN APPROVAL OF BEL FUSE INC.



LED CONFIGURATION



PIN-OUT INFORMATION
(COMPONENT SIDE VIEW)
(SCALE 2:1)



SUGGESTED FOOTPRINT
(COMPONENT SIDE VIEW)
(SCALE 2:1)

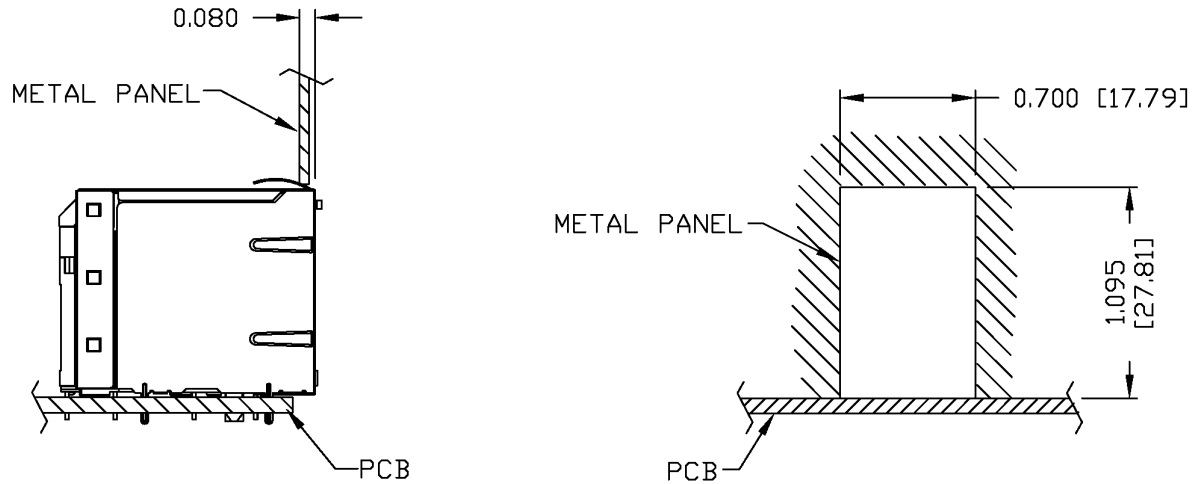
ORIGINATED BY BILL/KEUNG	DATE 05-09-06	TITLE 2X1 MagJack® (with LED)	PART NO. / DRAWING NO. 0845-2A1T-H5	STANDARD DIM. TOL. IN INCH	[] METRIC DIM. AS REFERENCE
	DRAWN BY QIN		DATE 05-09-06	FILE NAME 08452A1TH5A.DWG	.X .XX .XXX ±0.004



THE INFORMATION CONTAINED HEREIN IS CONSIDERED "PROPRIETARY" TO BEL FUSE INC. AND SHALL NOT BE COPIED, REPRODUCED OR DISCLOSED WITHOUT THE WRITTEN APPROVAL OF BEL FUSE INC.



SUGGESTED PANEL OPENING



NOTE:

THE DISTANCE OF PANEL INSIDE SURFACE RELATIVE TO FRONT SURFACE OF PART IS ONLY A SUGGESTION. IN CASE THIS DISTANCE IS DIFFERENT, THE REQUIRED PANEL OPENING DIMENSIONS CHANGE ACCORDINGLY.

PACKING INFORMATION

PACKING TRAY: 0200-9999-H5 (TOP)
0200-9999-H6 (BOTTOM)

PACKING QUANTITY: 40 PCS FINISHED GOODS PER TRAY
6 TRAYS (240 PCS FINISHED GOODS) PER CARTON BOX.

NOTE: CARDBOARD ARE PLACED BETWEEN LAYERS OF PACKING TRAY INSIDE CARTON BOX.
(INCLUDE THE UPPERMOST AND LOWEREST TRAY)

ORIGINATED BY BILL/KEUNG	DATE 05-09-06	TITLE 2X1 MagJack® (with LED)	PART NO. / DRAWING NO. 0845-2A1T-H5		STANDARD DIM. TOL. IN INCH		[] METRIC DIM. AS REFERENCE	
			FILE NAME 08452A1TH5A.DWG		.X		UNIT : INCH [mm]	REV. : A
DRAWN BY QIN	DATE 05-09-06				.XX		SCALE : N/A	SIZE : A4
					.XXX	±0.004		PAGE : 6

